

# 4781

## Two-Point Latch



BS EN 179:2008  
Classification Code 37601342BA/O

The Adams Rite 4781 Two-Point Latch using a combination of existing products (the 960 CVR Exit Device Rod Mechanism and the 4591 Paddle Handle) has been designed to satisfy the requirements where a full door width bar is undesirable for aesthetic or functional reasons.



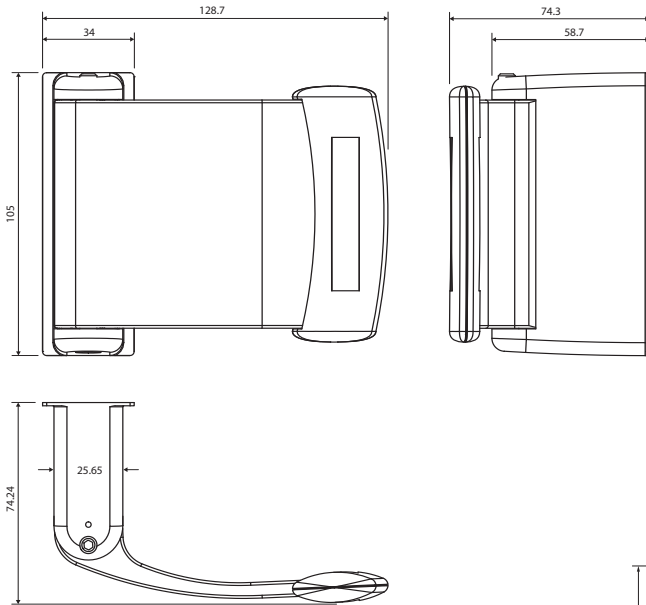
### Key Benefits

- Suitable for use on aluminium and steel doors
- Full range of Entry Trims available
- Will accommodate any paddle height (from threshold to bolt to centre line of paddle) from 762mm (30") to 118mm (44") and any door height up to 1676mm (66") above the centre line
- Dogging facility supplied as standard
- Conforms with BS EN 179:1998+A1:2001
- Tall door kit available

### Related Hardware

4056 Round Cylinders ~ 8650 Escutcheon ~ 8066 Entry Trim ~ 3080 Entry Trim

## Dimensions

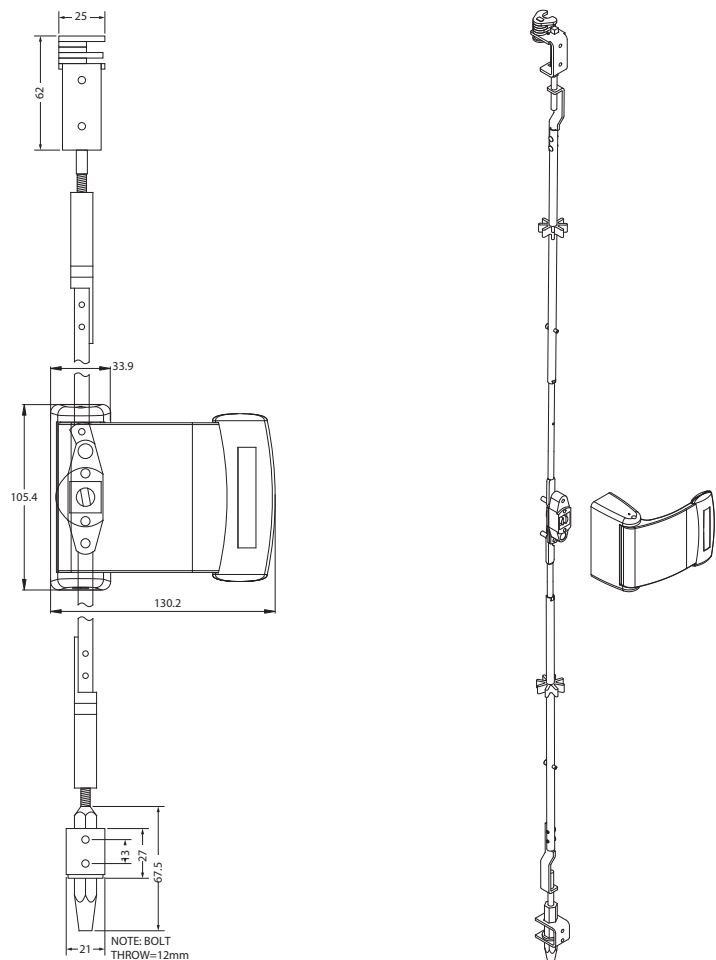


## Specifications

<b>Escutcheon:</b>	105mm x 34mm x 58.7mm. Zinc Alloy, Black finish.
<b>Paddle:</b>	85mm x 125mm. Extruded Aluminium, available in Satin Anodised, Dark Bronze and Black.
<b>Operation:</b>	Two modes: Push to Left or Push to Right.
<b>External Entry:</b>	Optional; Mortice Cylinder (with MS® cam) and 8650 Cylinder Escutcheon, or 8066 Entry Trim and 3080 Entry trim.

## Standards

In accordance with **BS EN 179:2008** this product is designed to be used in emergency situations where people are familiar with the emergency exit and its hardware and therefore a panic situation is unlikely to develop. Where panic situations are foreseen, reference should be made to the Adams Rite 900 Series panic exit device range.



## Ordering Codes

<b>4781-021-628</b>	Two point Latch Push To Left SAA Finish c/w Dogging Facility
<b>4781-041-628</b>	Two point Latch Push To Right SAA Finish c/w Dogging Facility

**Note:** 628 denotes Satin Anodised Finish-substitute  
628 with 313 for Bronze, 335 for Black.

**Note:** Doors with stile wall thicker or thinner than nominal 3.2mm, (1/8") require factory modification to the device. Doors with overall thickness greater than 44.45mm (1 3/4") also require special modification to device if cylinder or entry trim actuation from outside is required.