

# 3080 and 3080E

## Standard and Electrical Entry Trims

The Adams Rite 3080 and 3080E entry trims allow controlled external access to any door fitted with an Adams Rite 900 series touch bar exit devices, 4710/4720 series deadlatches and the 4781 two point latch.



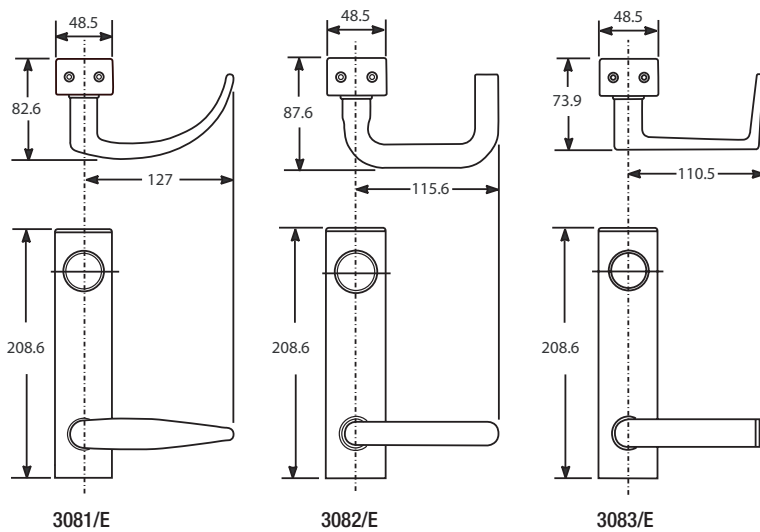
## Key Benefits

- Suitable for use on aluminium, timber and steel doors
- The 3080 series feature an innovative clutch mechanism that allows the lever to rotate when forced without allowing entry or damaging the unit
- Cylinder operation facility allowing key holder control
- Electrical version available in 12 or 24V DC fail safe or secure
- Choice of three lever styles

## Related Hardware

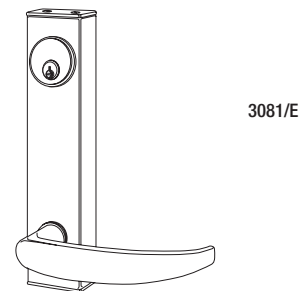
900 Series Panic Exit Device Range ~ 4710/4910 Series Deadlatches ~ 4720ANSI Deadlatches ~ 4036 Cylinders ~ 4781 Two Point Latch ~ 4591 Paddle Handle ~

## Dimensions

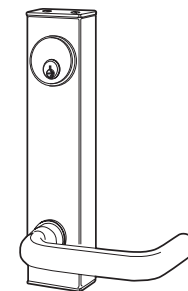


## Specifications

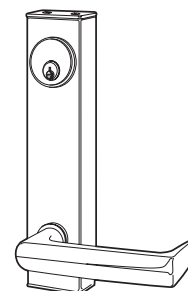
<b>Dimensions:</b>	See opposite.
<b>Material:</b>	Mild steel body, with clip-on stainless steel trim and zinc alloy lever.
<b>Projection:</b>	See opposite.
<b>Cylinder:</b>	Any standard 29.4mm mortice cylinder with MS® cam (not supplied).
<b>Standards:</b>	All models ANSI/BHMA Grade 1.
<b>Finishes:</b>	Dark bronze, black, silver.
<b>Override:</b>	Available with or without cylinder override.
<b>Electrified 'E' Version:</b>	
<b>Current draw:</b>	12vDC=0.5A, 24vDC=0.25A.
<b>Voltage tolerance:</b>	±10%.
<b>Operation:</b>	Fail-safe or fail-secure.



3081/E



3082/E



3083/E

## Ordering Codes

### Standard Models

<b>3081-3U-626</b>	Entry Trim with cylinder cutout
<b>3082-3U-626</b>	Entry Trim with cylinder cutout
<b>3083-3U-626</b>	Entry Trim with cylinder cutout

**Note:** Models without cylinder cutout are also available upon request.

### Electrified 'E' Models

<b>3081E-3U-35-626</b>	12vDC Fail Safe with cylinder cutout
<b>3081E-3U-30-626</b>	12vDC Fail Secure with cylinder cutout
<b>3082E-3U-35-626</b>	12vDC Fail Safe with cylinder cutout
<b>3082E-3U-30-626</b>	12vDC Fail Secure with cylinder cutout
<b>3083E-3U-35-626</b>	12vDC Fail Safe with cylinder cutout
<b>3083E-3U-30-626</b>	12vDC Fail Secure with cylinder cutout

**Note:** 24vDC and models without cylinder cutout are also available upon request.