

Accessories

Armature Housing for Armlock® 261 and 262

'L' & 'Z' Brackets for Armlock® 261 and 262

'L' & 'Z' Brackets with Cover Plates for Armlock® 261 and 262

Adams Rite have a variety of brackets and housings which can be used with our Direct Pull Magnets



Key Benefits

Armature Housing for Armlock® 261 and 262

- For flush mounting of armature plate into timber door core
- Suits outward opening applications
- Rim armature housing: for situations where it is preferable to not drill a hole right through the door for the armature bolt (such as fire doors), the rim housing enables the armature plate to be installed on the surface of the door

'L' & 'Z' Brackets for Armlock® 261 and 262

- Adjustable 'L' bracket: suits typical outward opening door applications where there is not sufficient space to fit the magnet to the head of the door frame.

- 'L' & 'Z' Brackets: for conversion of Armlock® 260 series magnets to inward opening door applications, the 'L' & 'Z' bracket kit consists of a standard 'L' bracket and two separate fully-adjustable plates which form the 'Z' bracket

'L' & 'Z' Brackets with Cover Plates for Armlock® 261 and 262

- Brackets have architectural cover plates to improve the aesthetics of the application
- Armature housing allows magnet to be positioned closer to the door

Related Hardware

Armlock® 261 & 262

Note: "L&Z" Brackets with Cover Plates. Suitable for **new** installations only, **not** as a direct replacement for standard 'L' & 'Z' brackets.

Specifications

for Armature Housing for Armlock® 261 and 262

Dimensions:	16.5mm x 165mm x 40mm.
Material:	Steel.
Finish:	Nickel plated.
Fixings:	Use standard armature bolt. Armature box fixing screws not supplied.

Specifications

for 'L' & 'Z' Brackets for Armlock® 261 and 262

Adjustable 'L' Bracket:

Dimensions:	30mm x 250mm x 48mm.
Material:	Aluminium.

'L' & 'Z' Brackets:

Dimensions:	30mm x 250mm x 48mm (Adjustable and standard 'L' brackets). 50mm x 160mm x 50mm (Adjustable brackets).
Material:	Aluminium.

Rim Armature Housing:

Dimensions:	55mm x 175mm x 15mm.
Material:	Aluminium.

Specifications

for 'L' & 'Z' Brackets with Cover Plates
for Armlock® 261 and 262

Adjustable 'L' Bracket with Cover Plate:

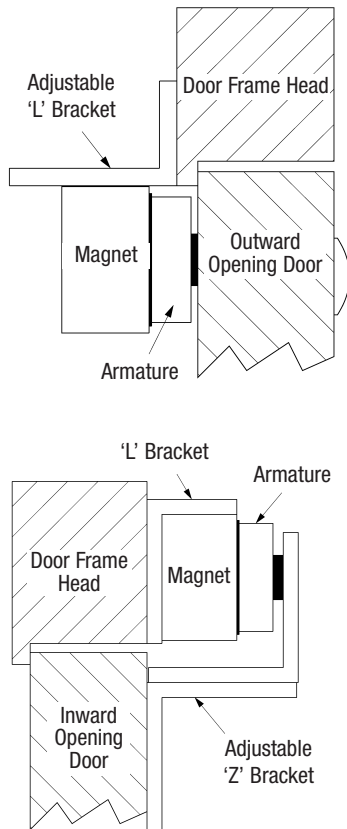
Dimensions:	31mm x 253mm x 50mm.
Material:	Aluminium.

'L' & 'Z' Brackets with Cover Plates:

Material:	Aluminium.
------------------	------------

Rim Armature Housing:

Dimensions:	55mm x 175mm x 15mm.
Material:	Aluminium.



Ordering Codes

for Armature Housing for Armlock® 261 and 262

261-400 Armature Housing for Armlock® 261 & 262

Ordering Codes

for 'L' & 'Z' Brackets for Armlock® 261 and 262

261-700 Adjustable 'L' bracket, SAA finish

261-800 'L' & 'Z' bracket kit, SAA finish

261-900 Rim armature housing, SAA finish

Ordering Codes

for 'L' & 'Z' Brackets with Cover Plates for
Armlock® 261 and 262

261-701 Adjustable 'L' bracket only, with cover plate, SAA finish

261-801 'L' & 'Z' bracket kit with cover plates, SAA finish