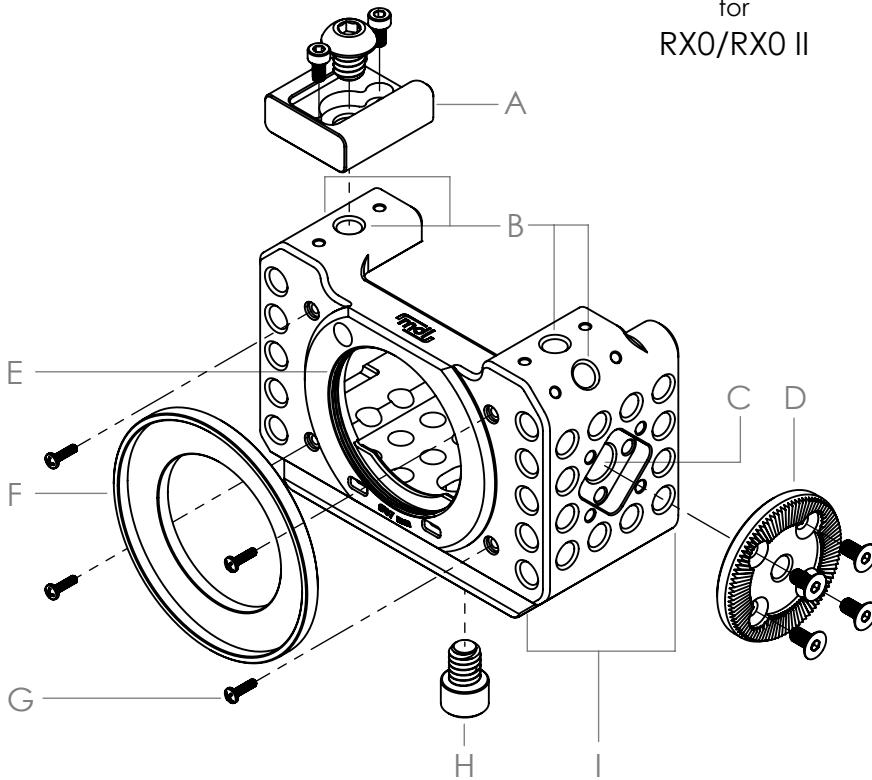


Cage System

for
RX0/RX0 II



- (A) Cold-shoe mount
- (B) Cold-shoe mounting locations (4X)
- (C) ARRI 3/8" accessory mount
- (D) ARRI rosette mount
- (E) 37mm threaded lens/filter mount
- (F) 37mm to 52mm step-up ring
- (G) M1.7 screws for mounting camera
when using a Moondog Labs lens
- (H) 1/4"-20 screw for mounting camera
when not using a Moondog Labs lens
- (I) ARCA-SWISS compatible dovetail

Included Tools:

- Phillips head screwdriver
- Torx T5 screwdriver
- 5/32" Allen wrench
- 2mm Allen Wrench
- 3/16" Allen wrench

Installing the RX0/RX0 II *without* a Moondog Labs Lens:

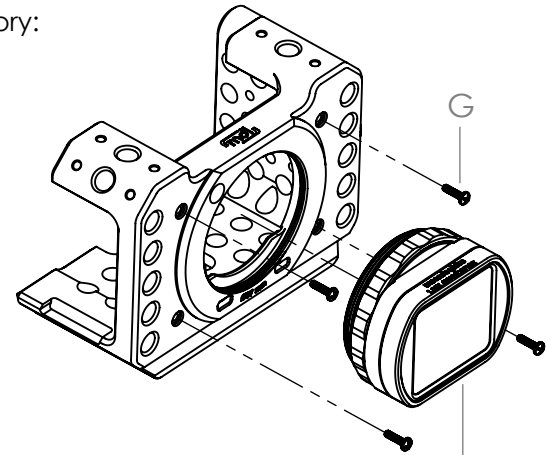
1. Insert the camera into the back of the cage and position it as far forward as possible.
2. Place the supplied 1/4"-20 screw (H) into the slot in the bottom of the cage and thread it into the camera until secure.

Installing the RX0/RX0 II *with* a Moondog Labs Lens.

1. Remove the four front screws on the RX0/RX0II using the supplied Torx T5 screwdriver and lift off the faceplate.
2. With the faceplate removed, insert the camera into the cage and move it as far forward as possible.
3. Place the four supplied M1.7 screws (G) into the front holes of the cage and use the included Phillips head screwdriver to screw them into the camera until secure.

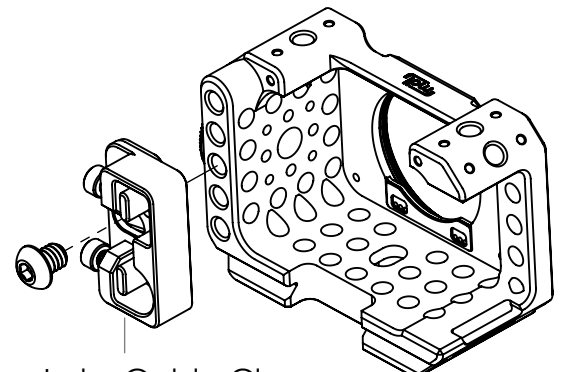
Note: Underwater use is not supported when the RX0 faceplate is removed.

Optional accessory:



Moondog Labs 1.33x Anamorphic Lens

Optional accessory:



Moondog Labs Cable Clamp

Tutorial Video

