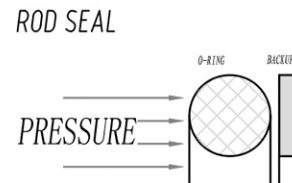
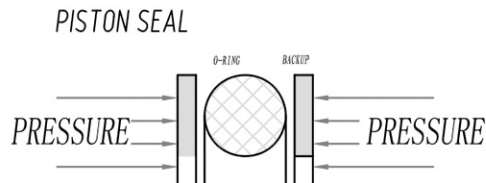
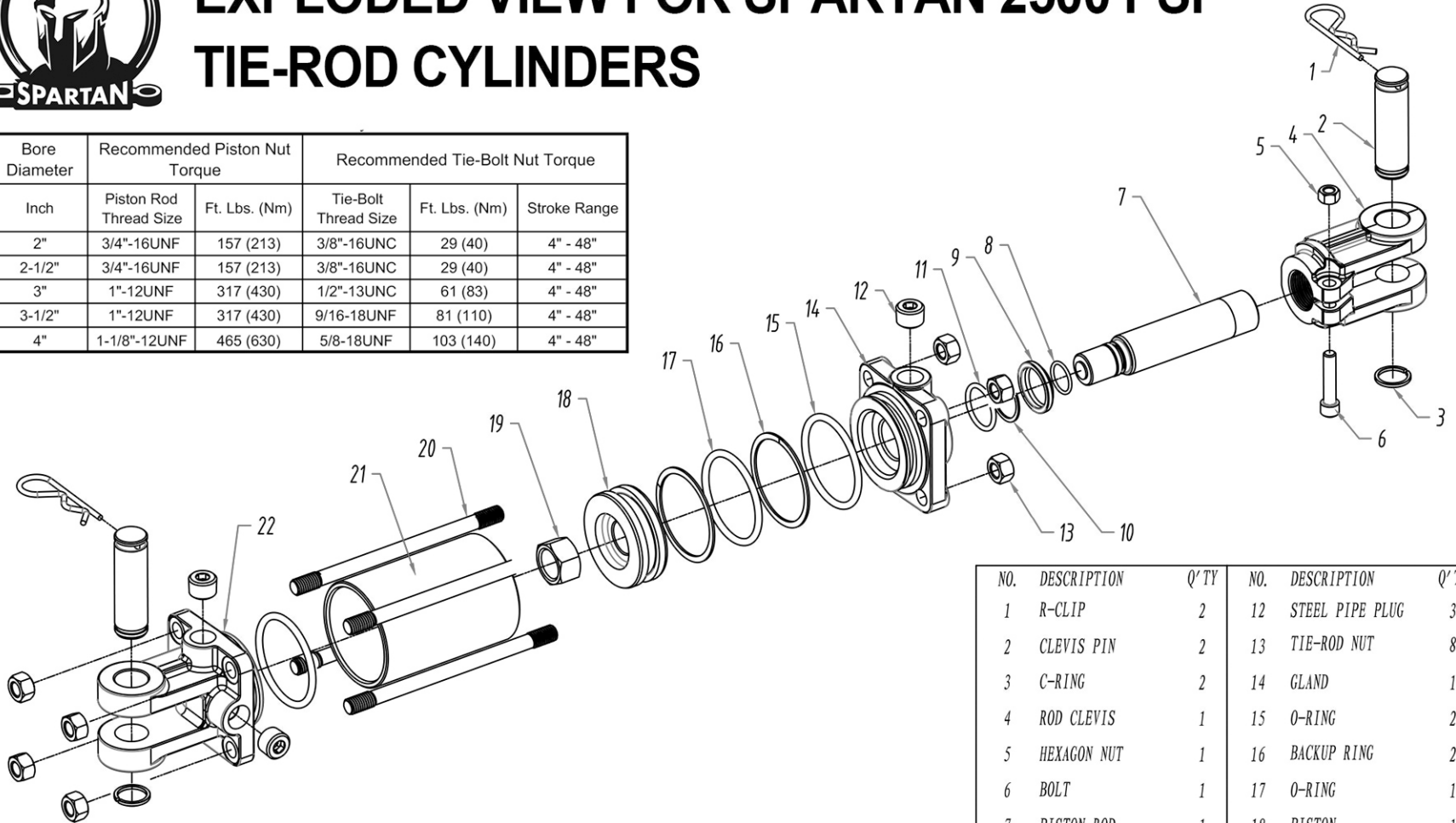




EXPLODED VIEW FOR SPARTAN 2500 PSI TIE-ROD CYLINDERS

Bore Diameter	Recommended Piston Nut Torque		Recommended Tie-Bolt Nut Torque		
	Piston Rod Thread Size	Ft. Lbs. (Nm)	Tie-Bolt Thread Size	Ft. Lbs. (Nm)	Stroke Range
2"	3/4"-16UNF	157 (213)	3/8"-16UNC	29 (40)	4" - 48"
2-1/2"	3/4"-16UNF	157 (213)	3/8"-16UNC	29 (40)	4" - 48"
3"	1"-12UNF	317 (430)	1/2"-13UNC	61 (83)	4" - 48"
3-1/2"	1"-12UNF	317 (430)	9/16-18UNF	81 (110)	4" - 48"
4"	1-1/8"-12UNF	465 (630)	5/8-18UNF	103 (140)	4" - 48"



NO.	DESCRIPTION	Q' TY	NO.	DESCRIPTION	Q' TY
1	R-CLIP	2	12	STEEL PIPE PLUG	3
2	CLEVIS PIN	2	13	TIE-ROD NUT	8
3	C-RING	2	14	GLAND	1
4	ROD CLEVIS	1	15	O-RING	2
5	HEXAGON NUT	1	16	BACKUP RING	2
6	BOLT	1	17	O-RING	1
7	PISTON ROD	1	18	PISTON	1
8	O-RING	1	19	PISTON NUT	1
9	ROD WIPER	1	20	TIE ROD	4
10	BACKUP RING	1	21	TUBE	1
11	O-RING	1	22	BASE CLEVIS	1