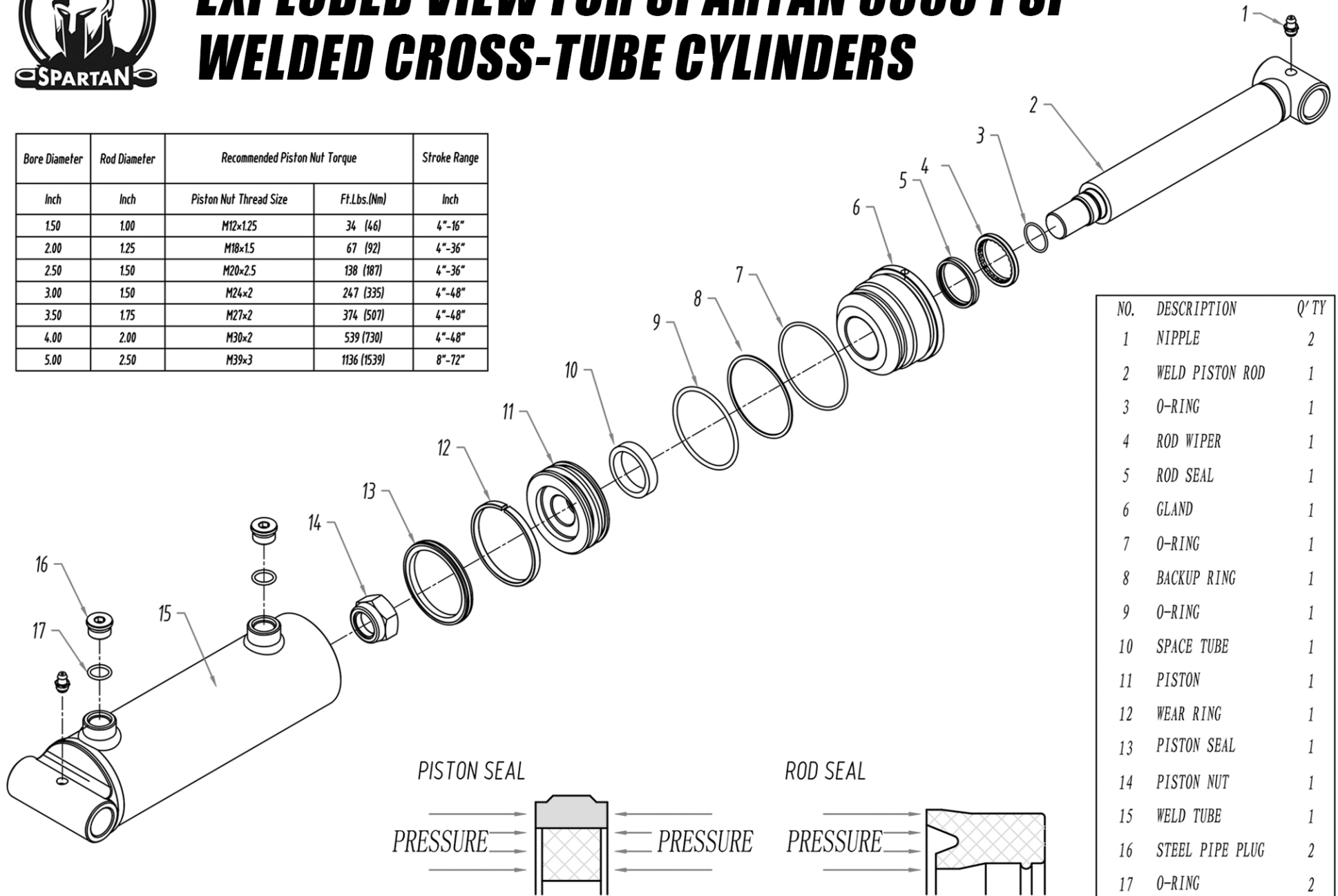




EXPLODED VIEW FOR SPARTAN 3000 PSI WELDED CROSS-TUBE CYLINDERS

Bore Diameter Inch	Rod Diameter Inch	Recommended Piston Nut Torque		Stroke Range Inch
		Piston Nut Thread Size	Ft.Lbs.(Nm)	
1.50	1.00	M12x1.25	34 (46)	4"-16"
2.00	1.25	M18x1.5	67 (92)	4"-36"
2.50	1.50	M20x2.5	138 (187)	4"-36"
3.00	1.50	M24x2	247 (335)	4"-48"
3.50	1.75	M27x2	374 (507)	4"-48"
4.00	2.00	M30x2	539 (730)	4"-48"
5.00	2.50	M39x3	1136 (1539)	8"-72"



NO.	DESCRIPTION	QTY
1	NIPPLE	2
2	WELD PISTON ROD	1
3	O-RING	1
4	ROD WIPER	1
5	ROD SEAL	1
6	GLAND	1
7	O-RING	1
8	BACKUP RING	1
9	O-RING	1
10	SPACE TUBE	1
11	PISTON	1
12	WEAR RING	1
13	PISTON SEAL	1
14	PISTON NUT	1
15	WELD TUBE	1
16	STEEL PIPE PLUG	2
17	O-RING	2