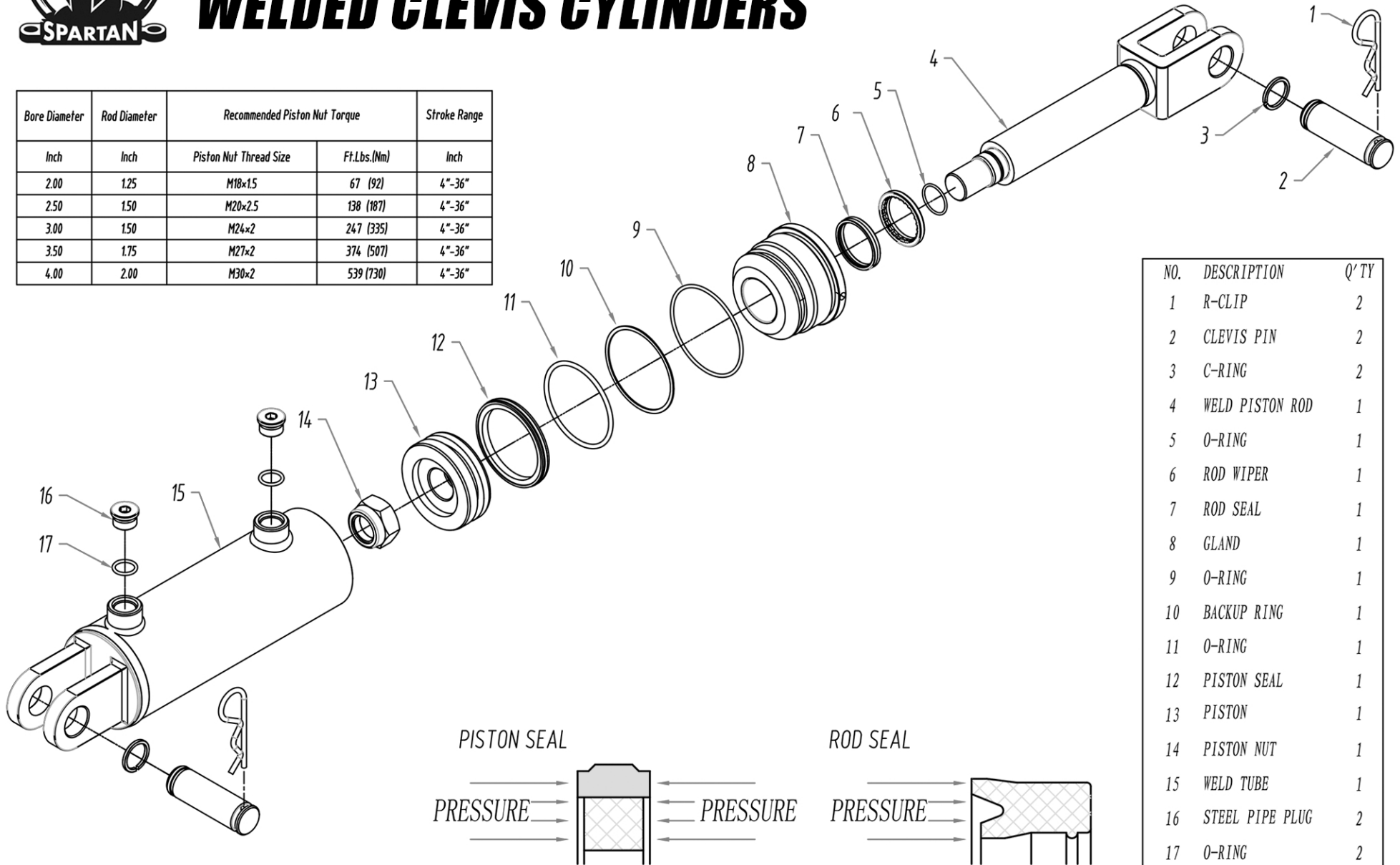




# EXPLODED VIEW FOR SPARTAN 3000 PSI WELDED CLEVIS CYLINDERS

Bore Diameter	Rod Diameter	Recommended Piston Nut Torque		Stroke Range
		Piston Nut Thread Size	Ft.Lbs.(Nm)	
2.00	1.25	M18x1.5	67 (92)	4"-36"
2.50	1.50	M20x2.5	138 (187)	4"-36"
3.00	1.50	M24x2	247 (335)	4"-36"
3.50	1.75	M27x2	374 (507)	4"-36"
4.00	2.00	M30x2	539 (730)	4"-36"



NO.	DESCRIPTION	Q' TY
1	R-CLIP	2
2	CLEVIS PIN	2
3	C-RING	2
4	WELD PISTON ROD	1
5	O-RING	1
6	ROD WIPER	1
7	ROD SEAL	1
8	GLAND	1
9	O-RING	1
10	BACKUP RING	1
11	O-RING	1
12	PISTON SEAL	1
13	PISTON	1
14	PISTON NUT	1
15	WELD TUBE	1
16	STEEL PIPE PLUG	2
17	O-RING	2