



Trade, DIY, Bulk

## Pocket frame installation guide

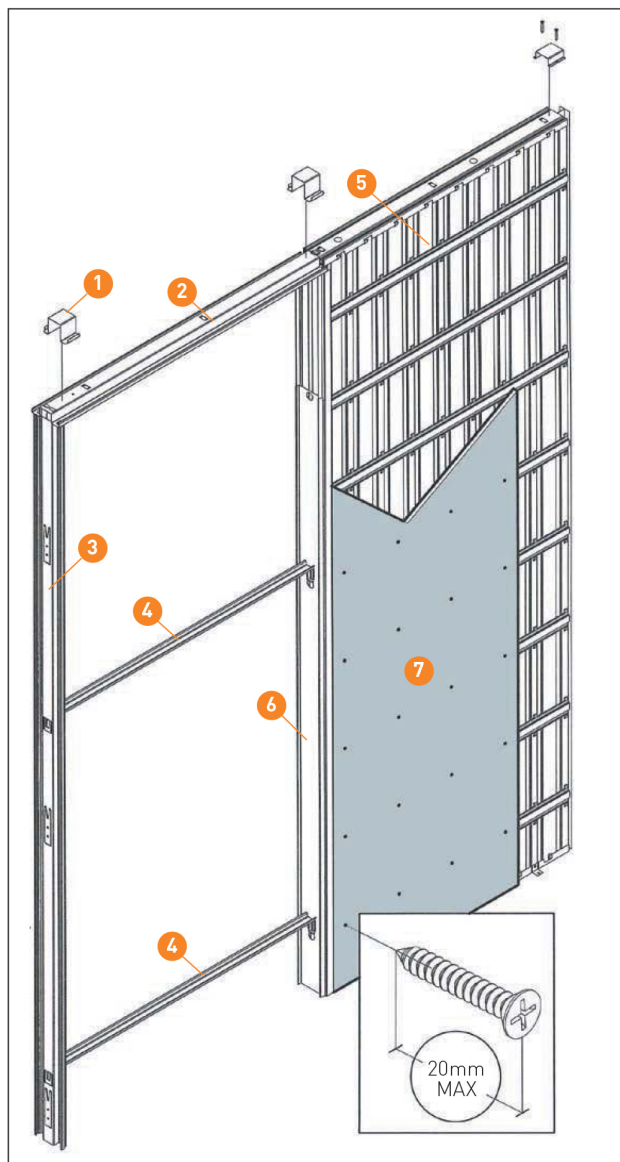
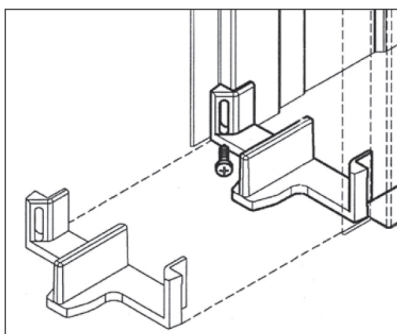
1. Insert brackets **1** to the top of the aluminium rail **2**. Later, the brackets will fix onto the wooden stud head.
2. The aluminium rail **2** slides into the top of the pocket cassette **5**.
3. Join the metal jamb **3** to the top of the aluminium rail **2**.
4. Fit the two spacer bars **4** between the removable protection plate **6** and the metal jamb **3**. Essential for ensuring the structure remains square during installation.
5. Plasterboard **7** can then be fixed directly to the cassette **5**. When ready the door can be fitted and the timber accessory kit applied.

### If fitting double doors:

Utilise the double leaf conversion kit with two single pocket door systems. The metal jambs **3** are not required and can be discarded. The double top rail supplied is fixed between the two single systems. Double spacers are also provided to keep the structure square.

### Door Grooving:

The door must be grooved to fit in the floor guide (see right). We can pre-groove your doors prior delivery for a small additional charge.



### Timber Accessory Kits

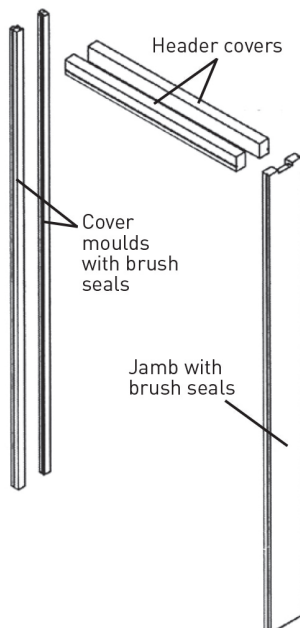
Available in either white primed or varnished oak, Accessory Kits are required to complete pocket door installation.

#### Single Door Kit Includes:

2 x cover moulds with brush seals, 2 x header covers, 1 x jamb with seals

#### Double Door Kit Includes:

4 x cover moulds with brush seals, 2 x header covers



### Additional Accessories

