



Trade, DIY, Bulk

Metric and Imperial Door Pair Maker Instructions

Please read this complete set of assembly instructions before starting the installation and only when you understand the construction method start to follow the step by step guide.

INSTALLING THE DOOR PAIR MAKER.

With the two doors hung in the frame (without the door pair maker being fitted) the gap between the two doors at the centre must be a continuous 9mm. Decide on which door is to open first, (this will be the door that is **NOT FITTED** with the door pair maker). **Diagram 1.**

Having decided which door is to have the door pair maker fitted to it, remove the bottom notching of the door pair maker as shown in **Diagram 2.** The top pre cut notch remains at the top allowing for the fitted door stop on the frame.

Temporarily fit the door pair maker to the door edge and ensure that the doors close and open correctly.

There should be a 2mm gap between the opening door edge and the door pair maker. If the opening door is binding on the door pair maker when closing, remove the door pair maker and plane a small amount off from the door edge. Temporarily refit the door pair maker and check for the correct fit.

Glue and pin the door pair maker to the door edge ensuring the door pair maker is flush with the top and bottom of the door. **Diagram 3.**

All internal frame dimensions are made up from the following: 2mm gap between door edge and frame + door width + 9mm gap between the doors + door width + 2mm gap between door edge and frame. **Diagram 4.**

The internal frame sizes (rebate to rebate) including the door pair maker and allowing for clearances are approximately as follows:

Door size and door pair maker:

2 x 2040 x 526mm doors plus pair maker = 1065mm

2 x 2040 x 726mm doors plus pair maker = 1465mm

2 x 2040 x 626mm doors plus pair maker = 1265mm

2 x 2040 x 826mm doors plus pair maker = 1665mm

The internal frame sizes (rebate to rebate) including the door pair maker and allowing for clearances are approximately as follows:

Door size and door pair maker:

2 x 24" doors plus door pair maker = 1233mm

2 x 27" doors plus door pair maker = 1385mm

2 x 30" doors plus door pair maker = 1547mm

2 x 33" doors plus door pair maker = 1689mm

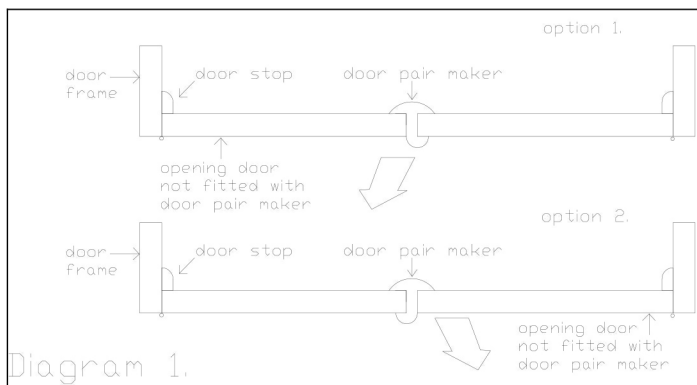


Diagram 1.

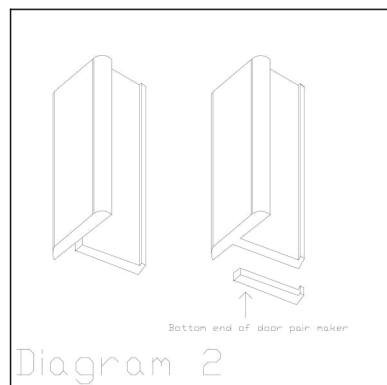


Diagram 2

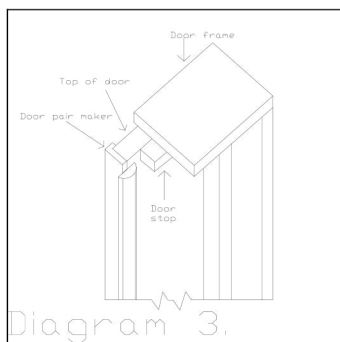


Diagram 3.

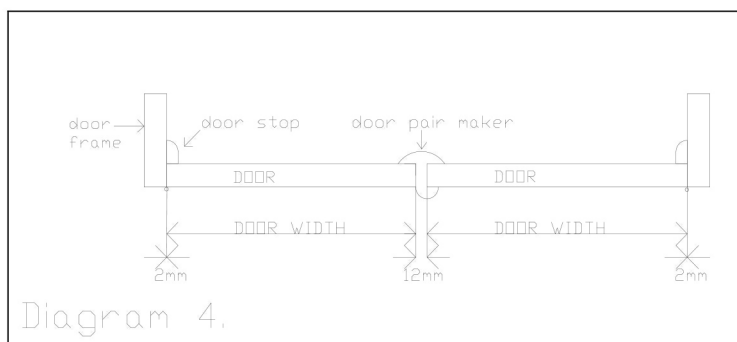


Diagram 4.