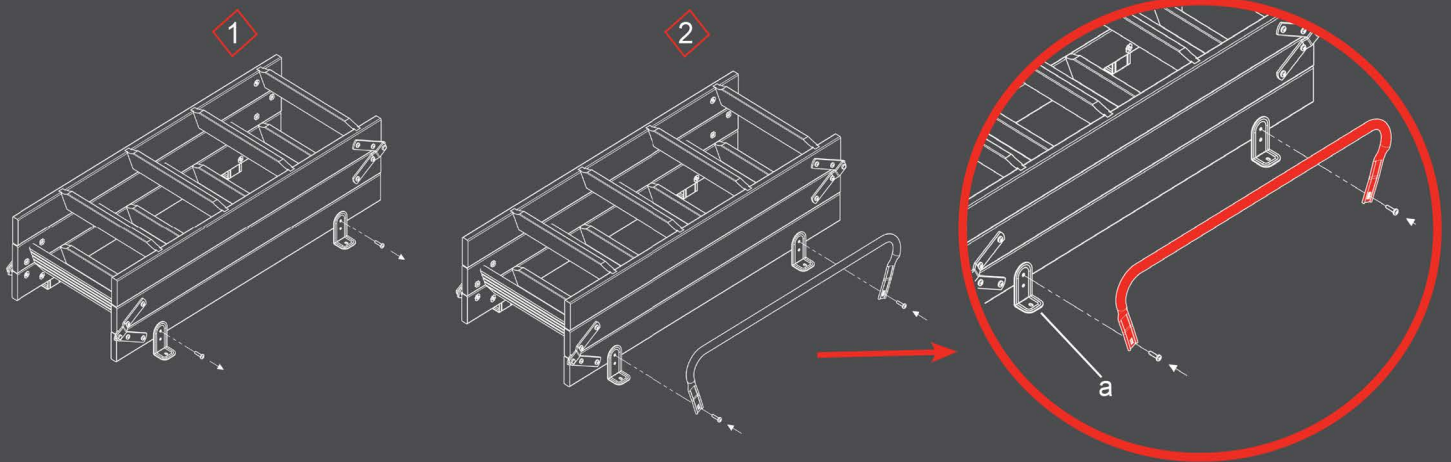
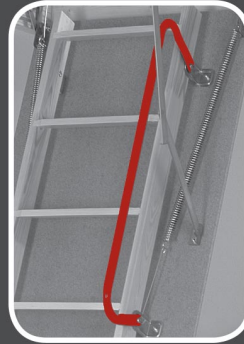
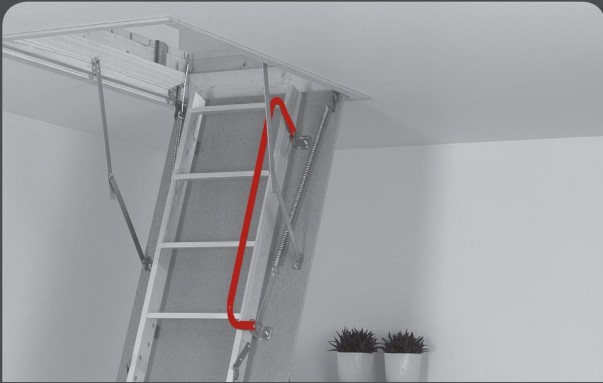


HANDRAIL (FOR CLICKFIX LADDER)



GB For ladders where the spring is mounted on to the bracket "a", the spring has to be disengaged before mounting the handrail. Disengaging the spring may only take place when the ladder is in a closed position. Remember to mount the spring again after fitting the handrail.

