

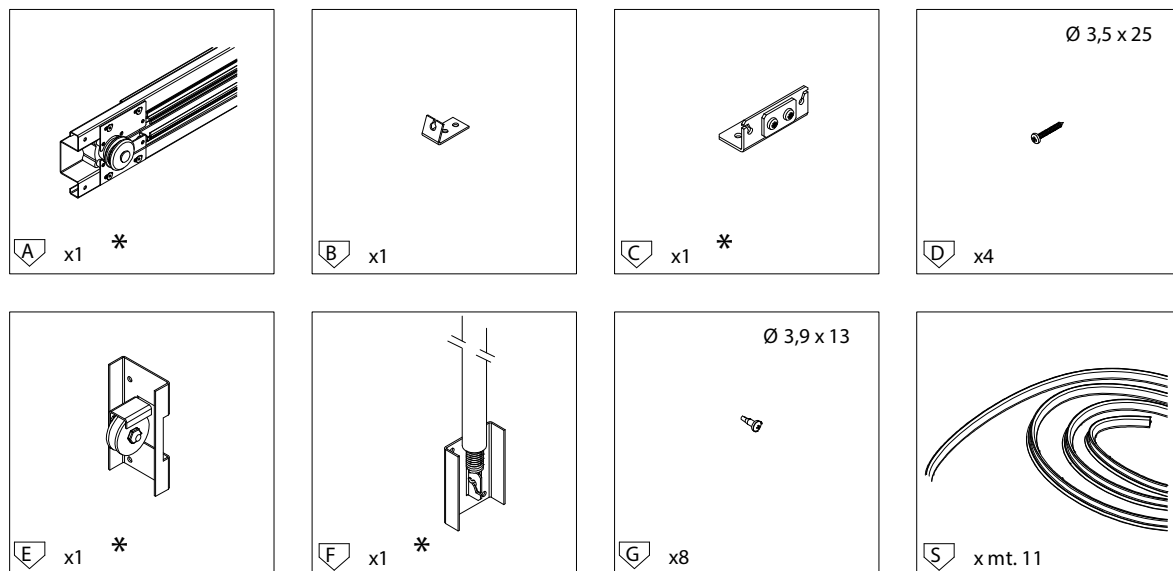
## SETUP INSTRUCTION

Fire FD30  
**evokit**

# CONTENTS

## Standard equipment

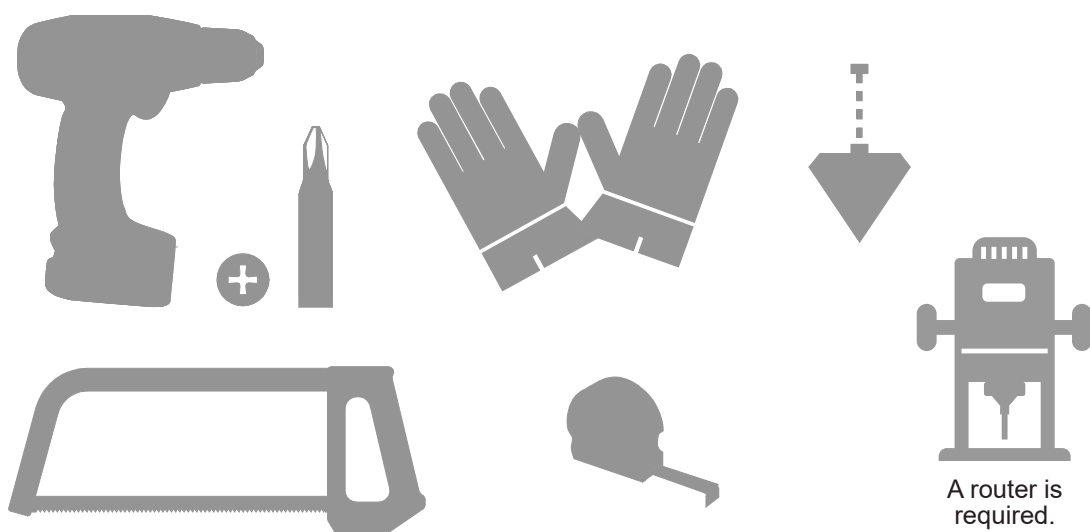
---



\* Components supplied already pre-assembled from factory

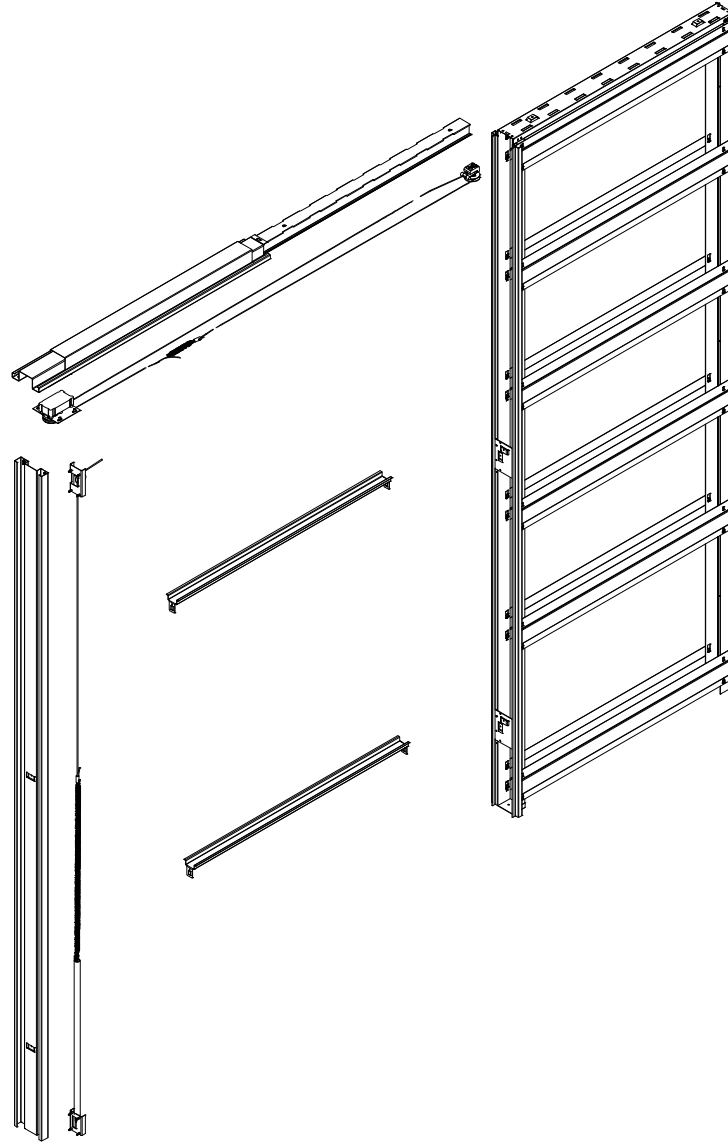
## Tools

---



## Overall view

---



## INDICE - INDEX

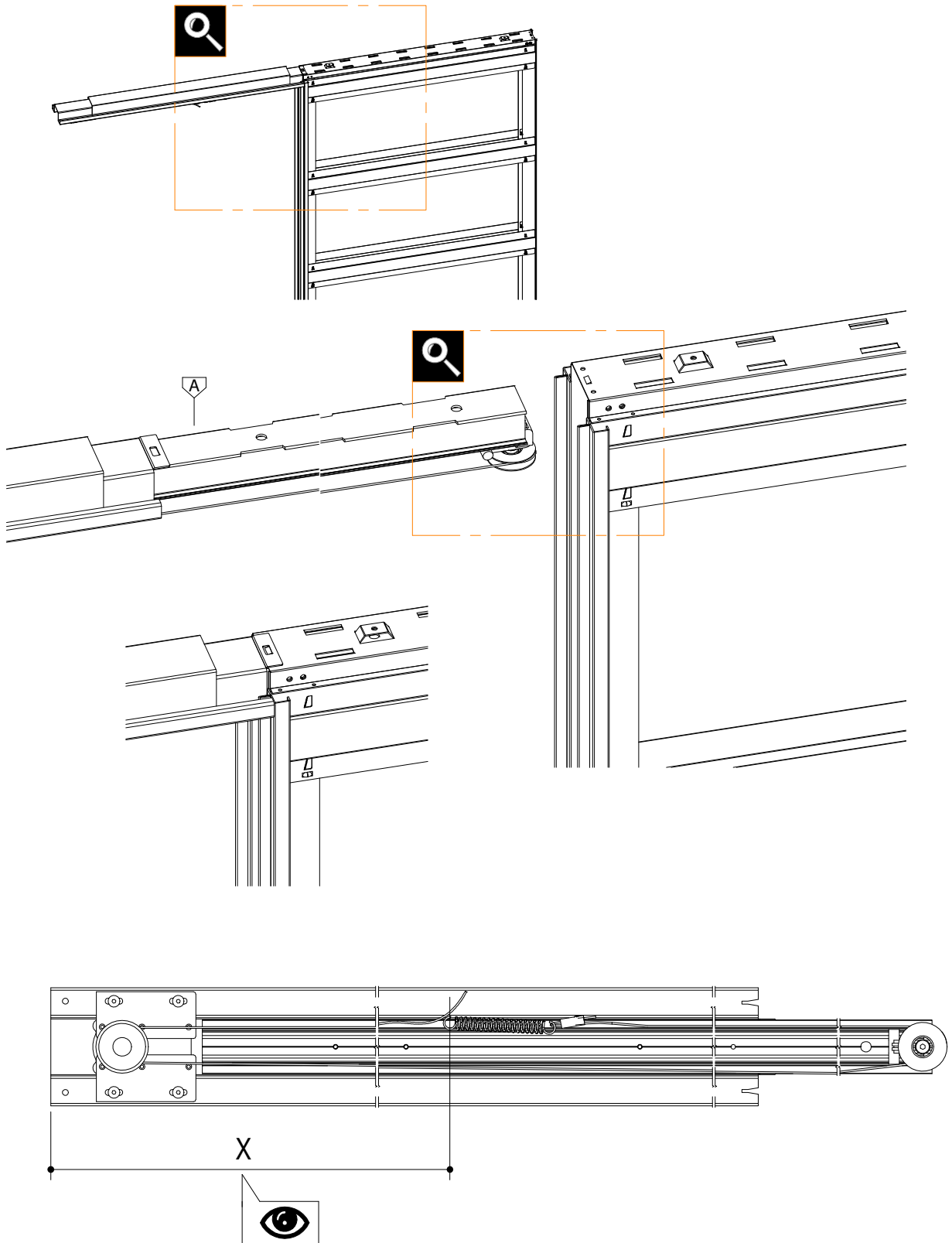
---

Setup pocket door system	2-7
Setup door	8-10
Setup door jambs	11-13

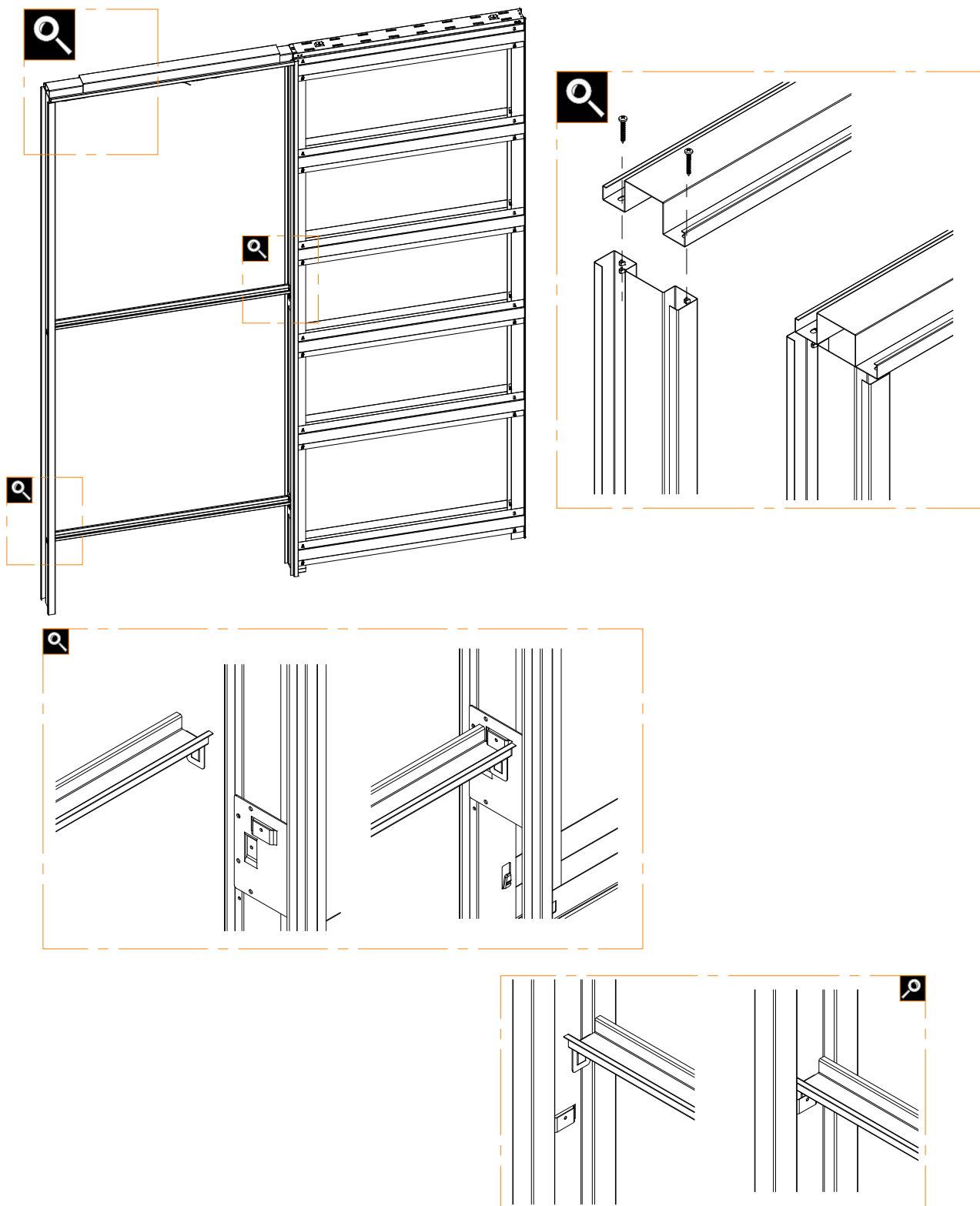
# SETUP

## 1.1

---



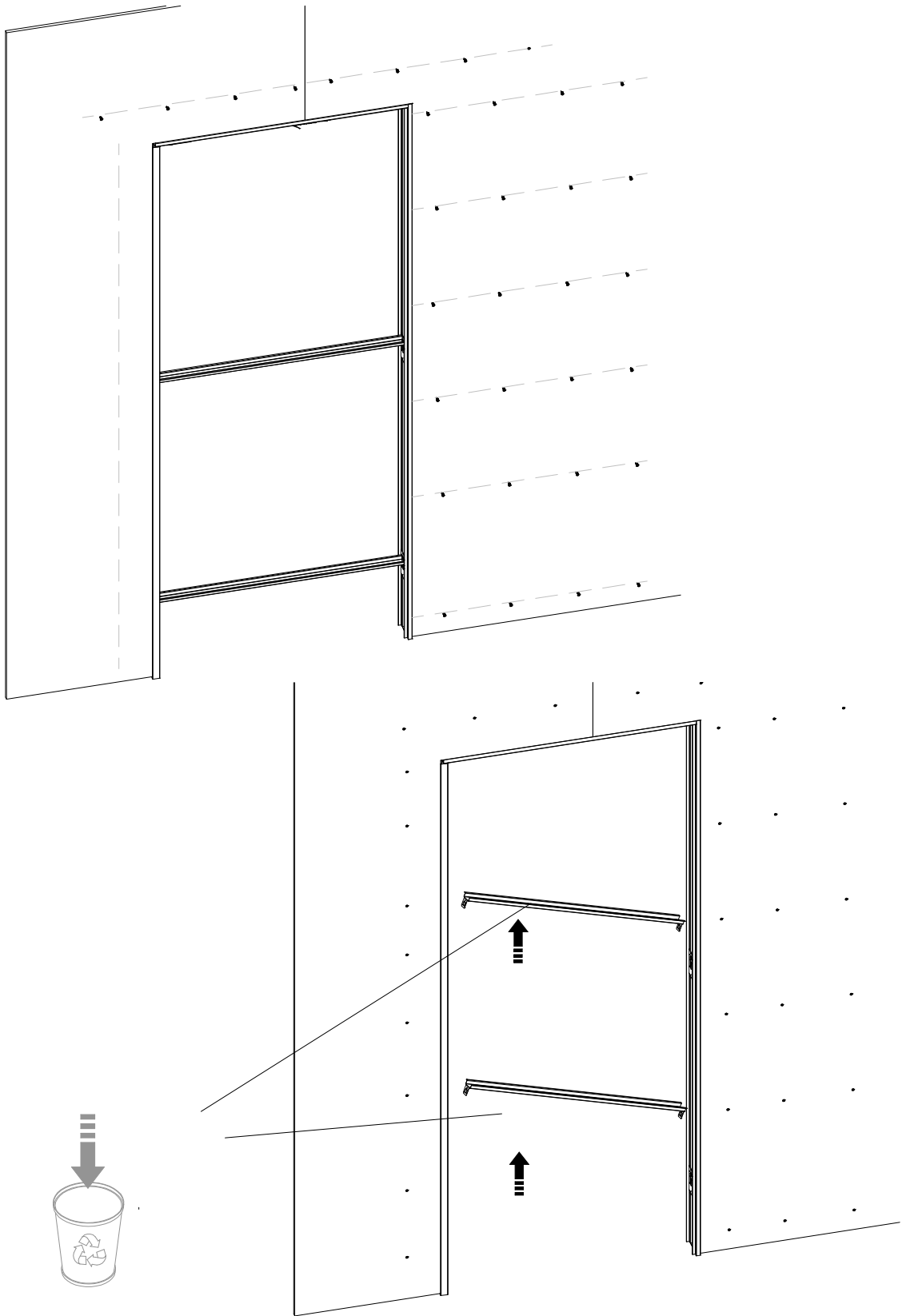
1.2



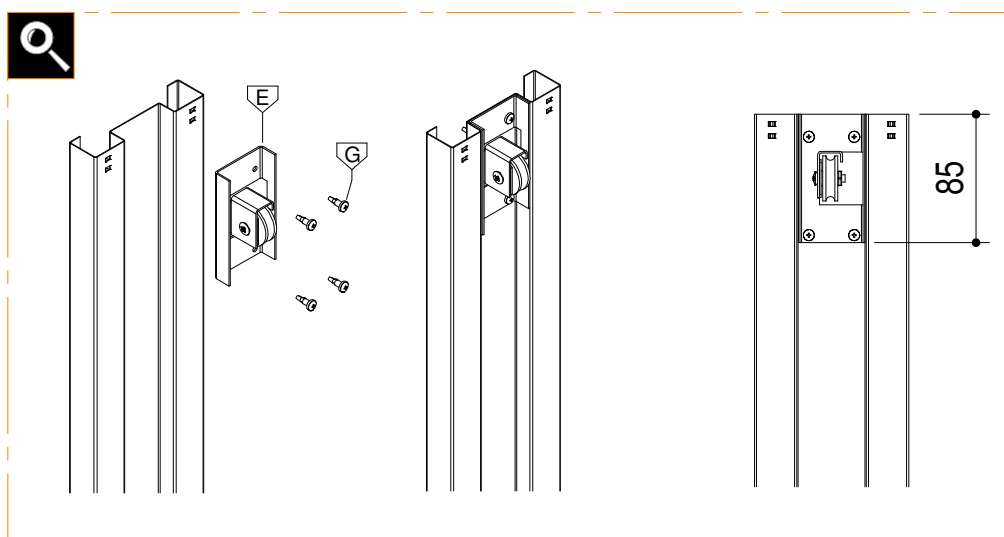
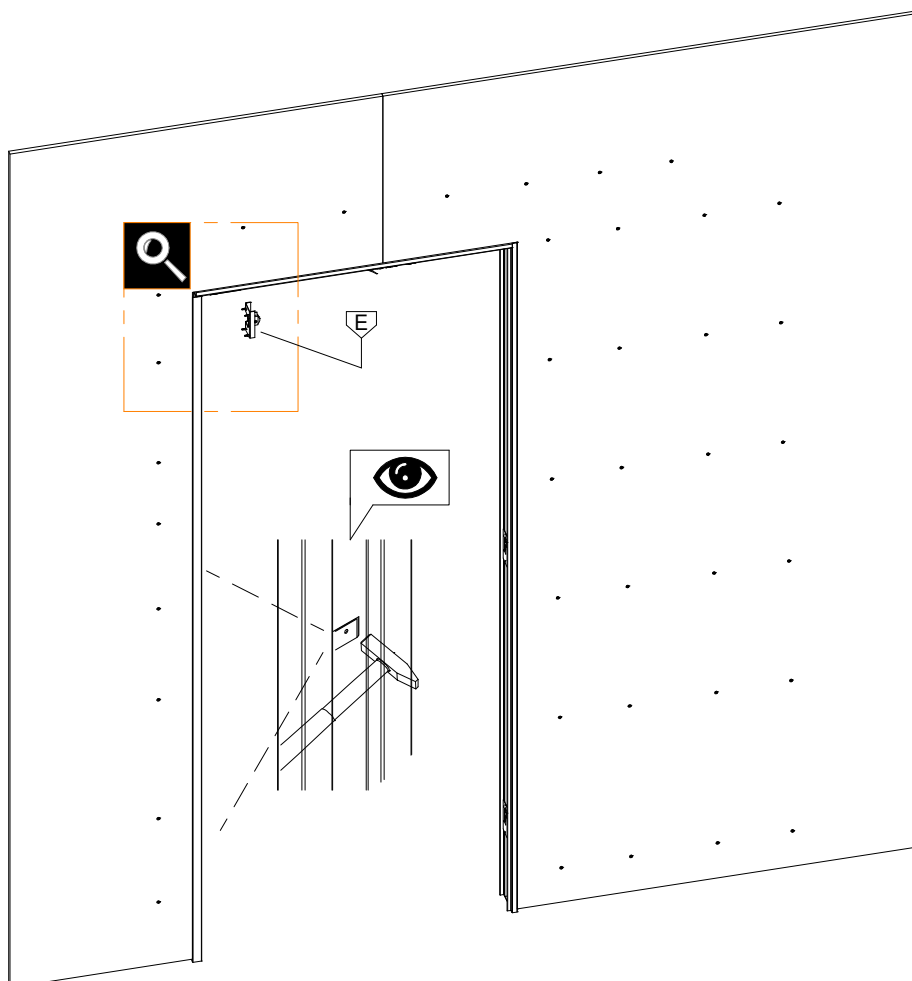
Subject to misprints, errors and technical modifications.  
All dimensions are in mm

# SETUP

## 1.3



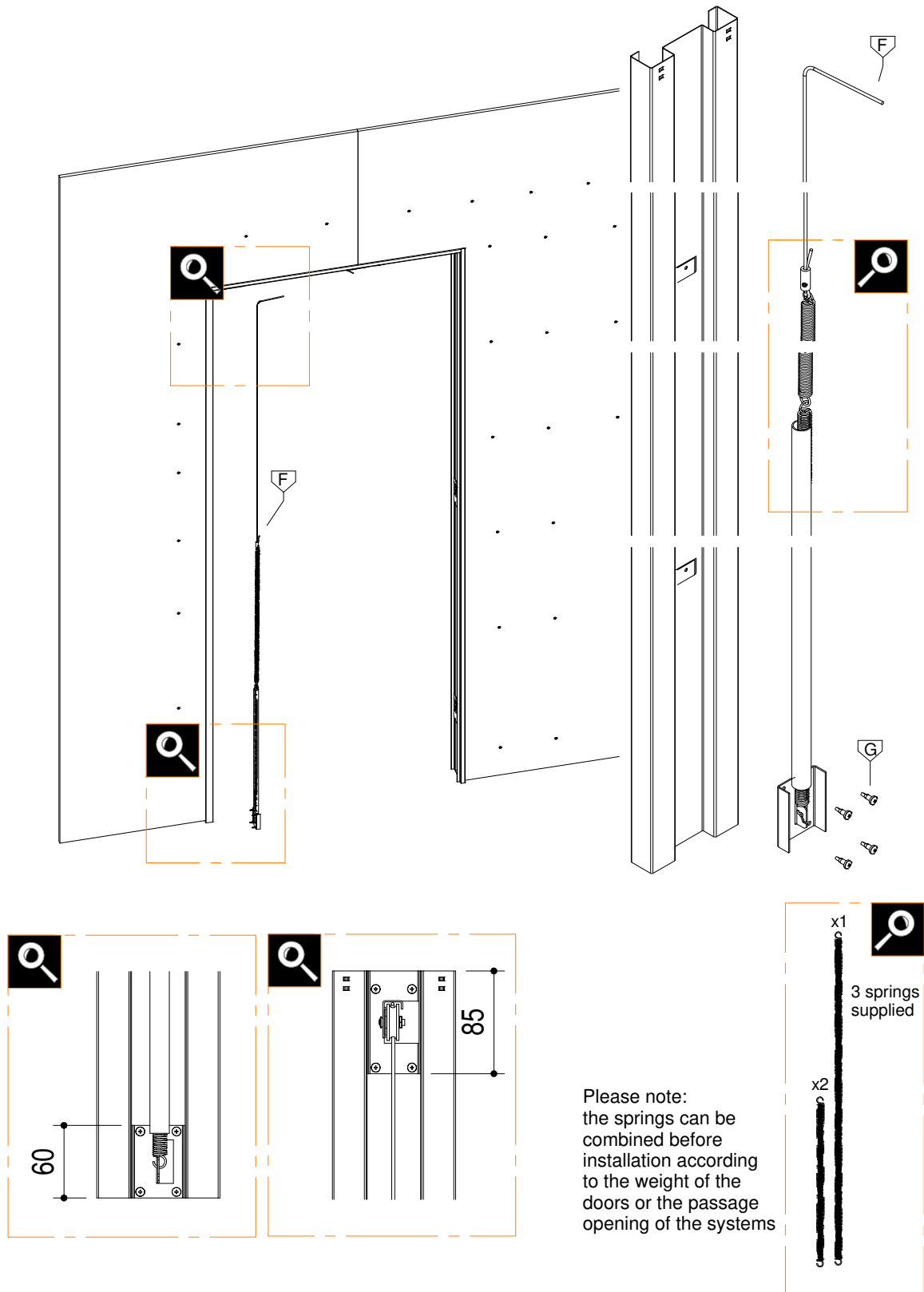
1.4



Subject to misprints, errors and technical modifications.  
All dimensione are in mm

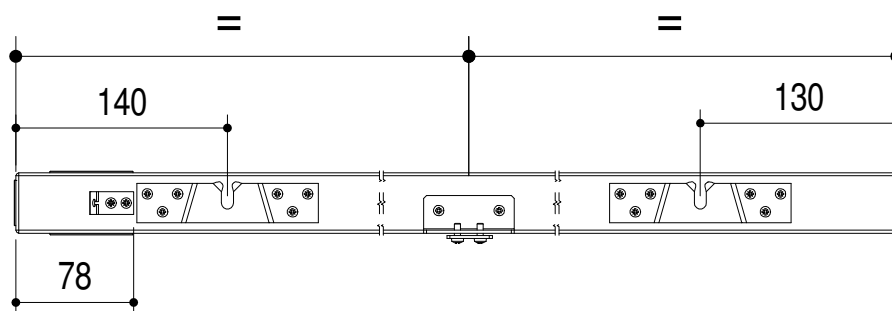
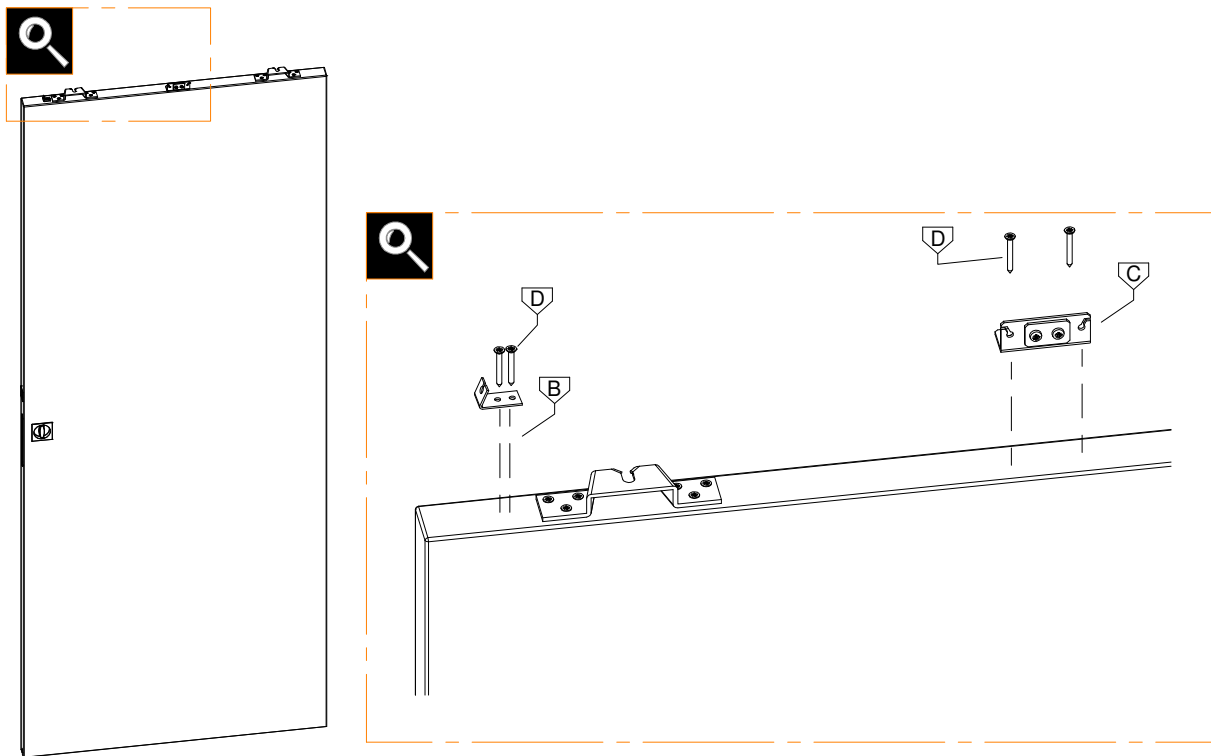
# SETUP

## 1.5





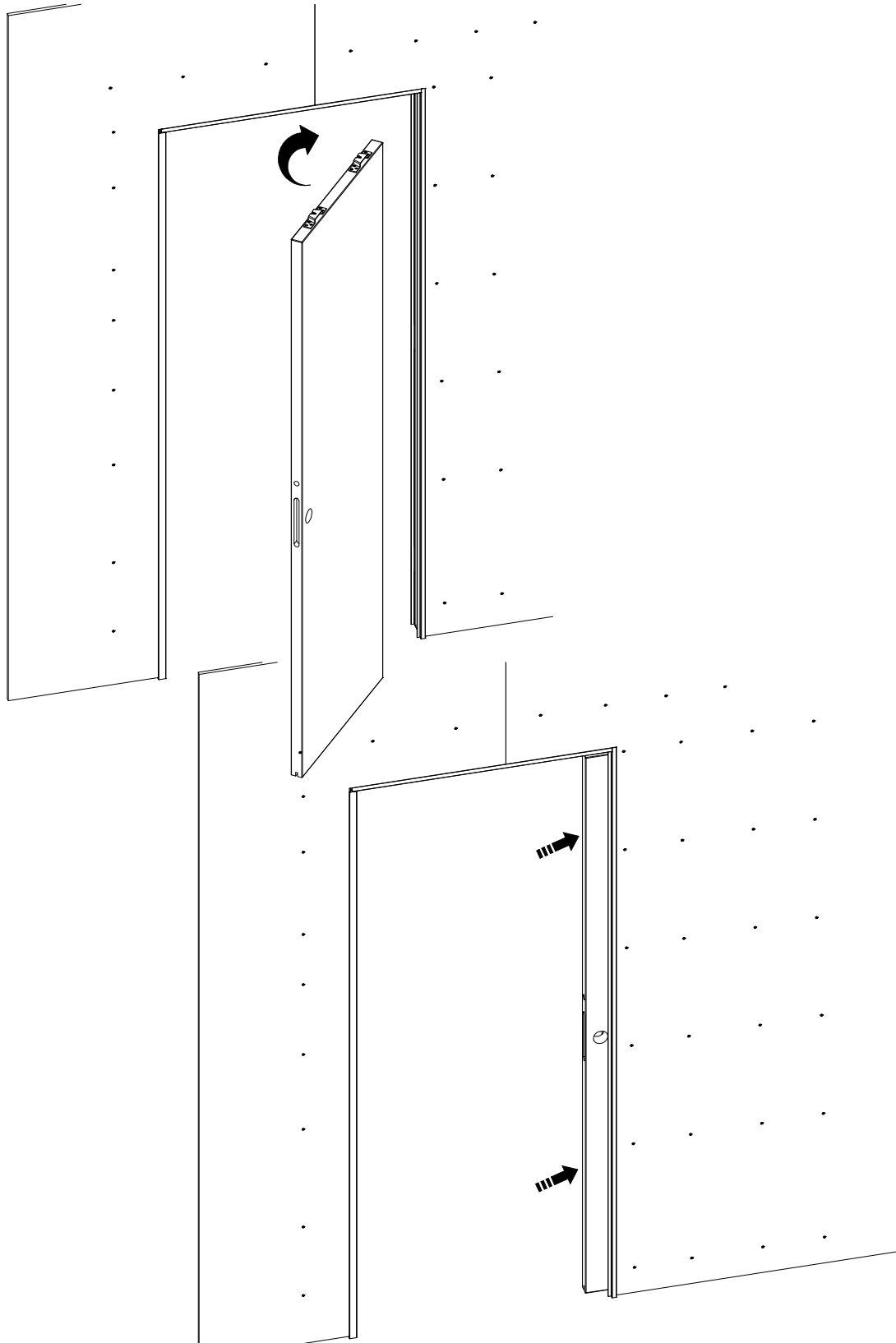
2.1



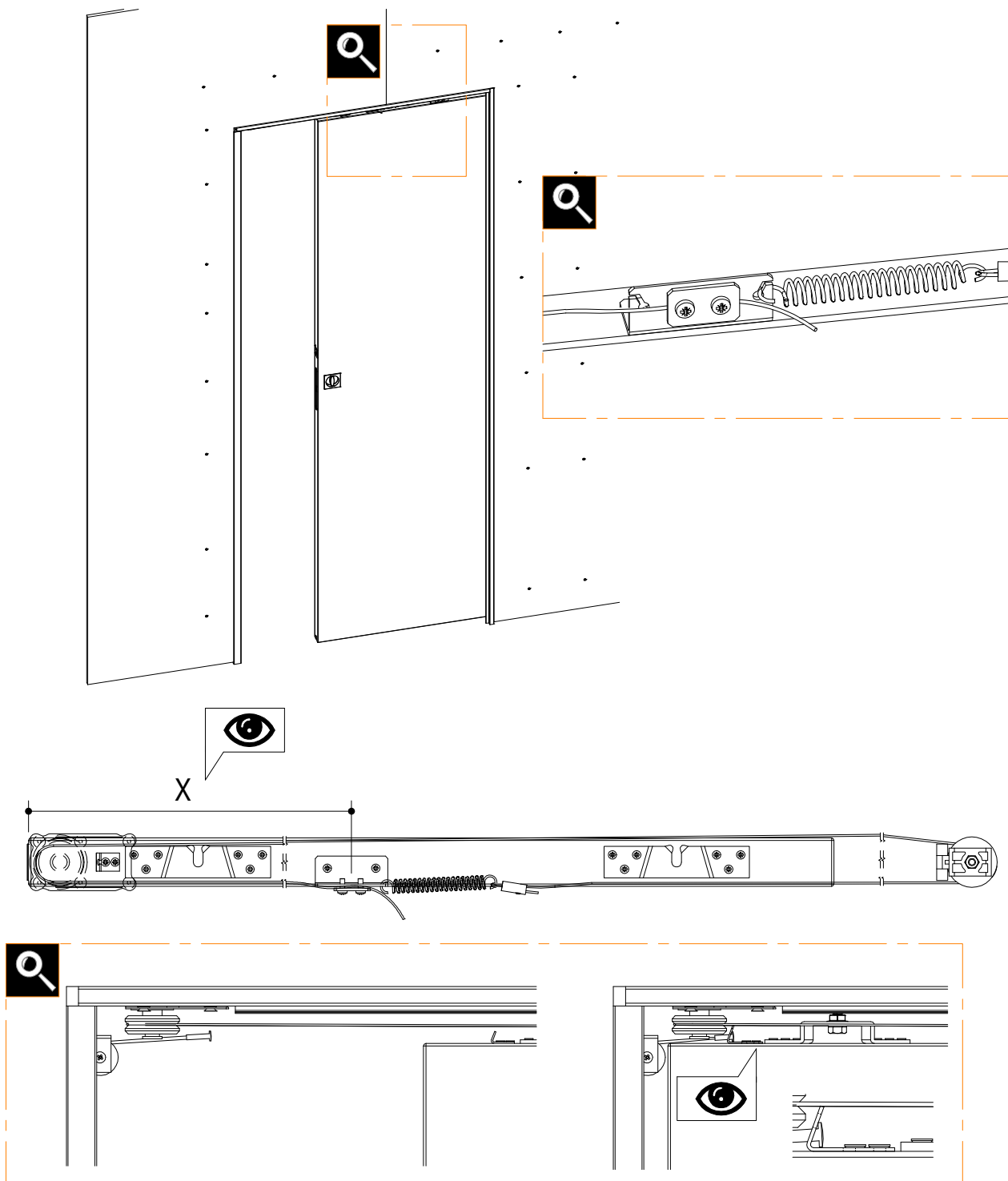
# SETUP

## 2.2

---

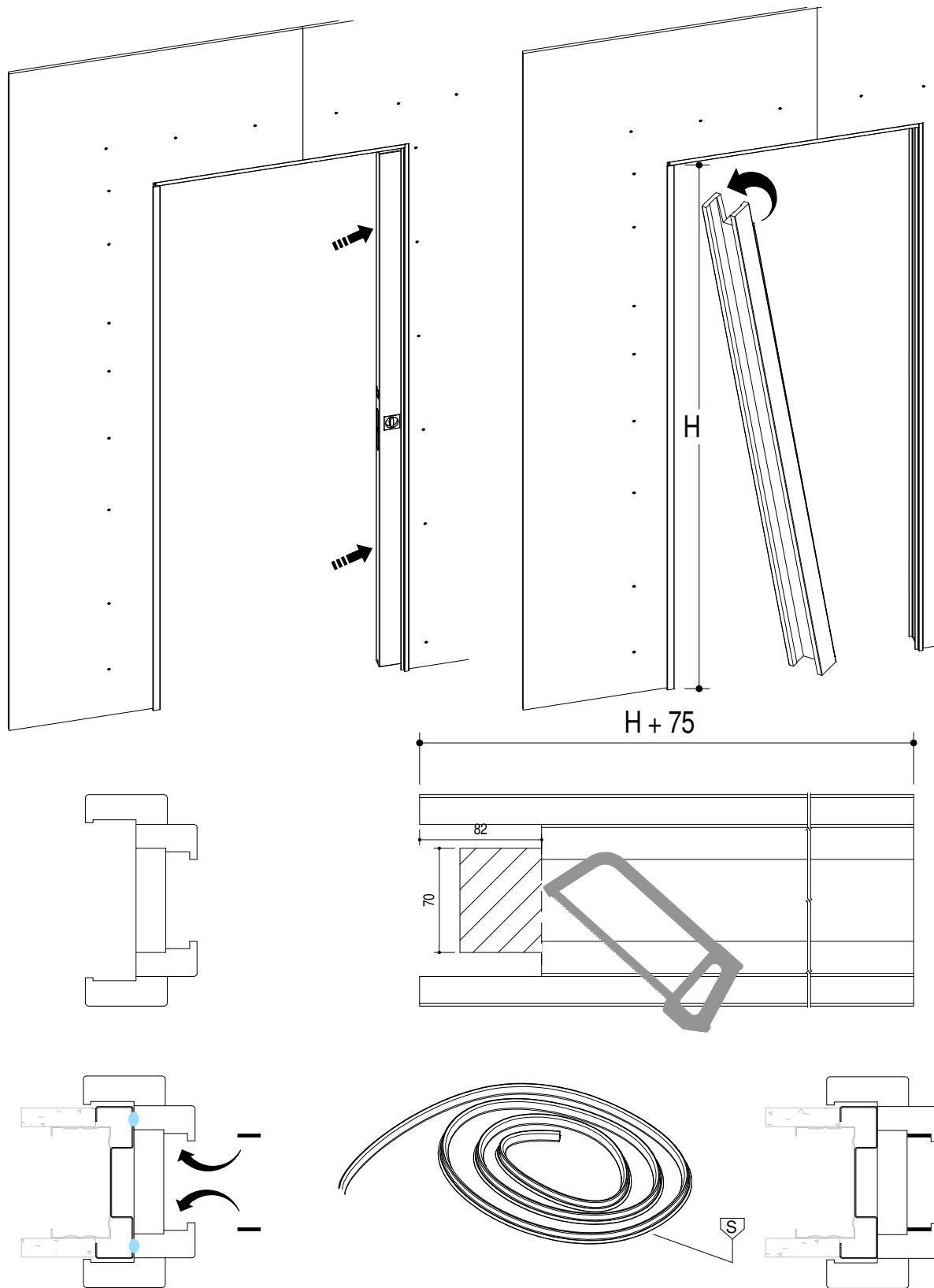


2.3

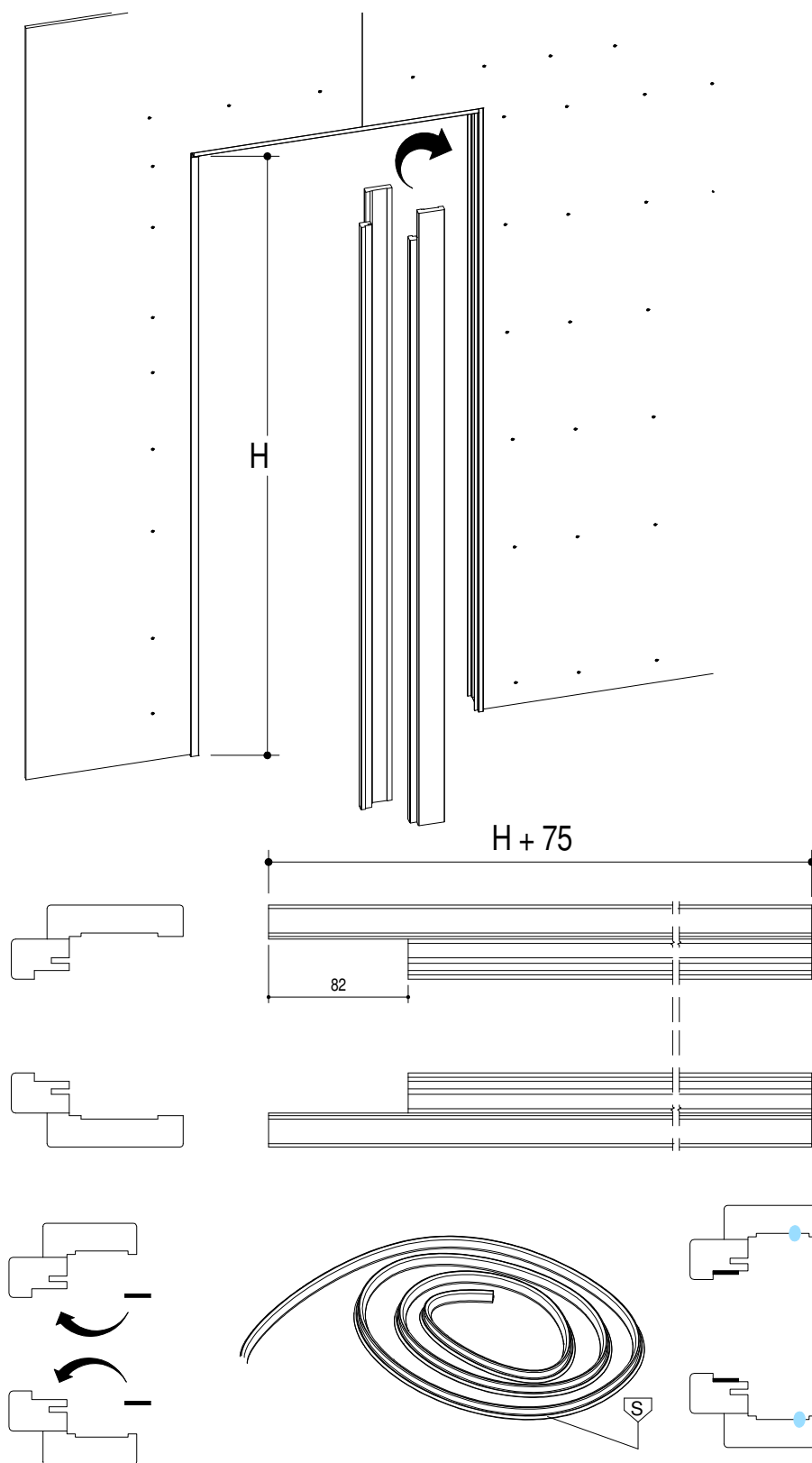


# SETUP

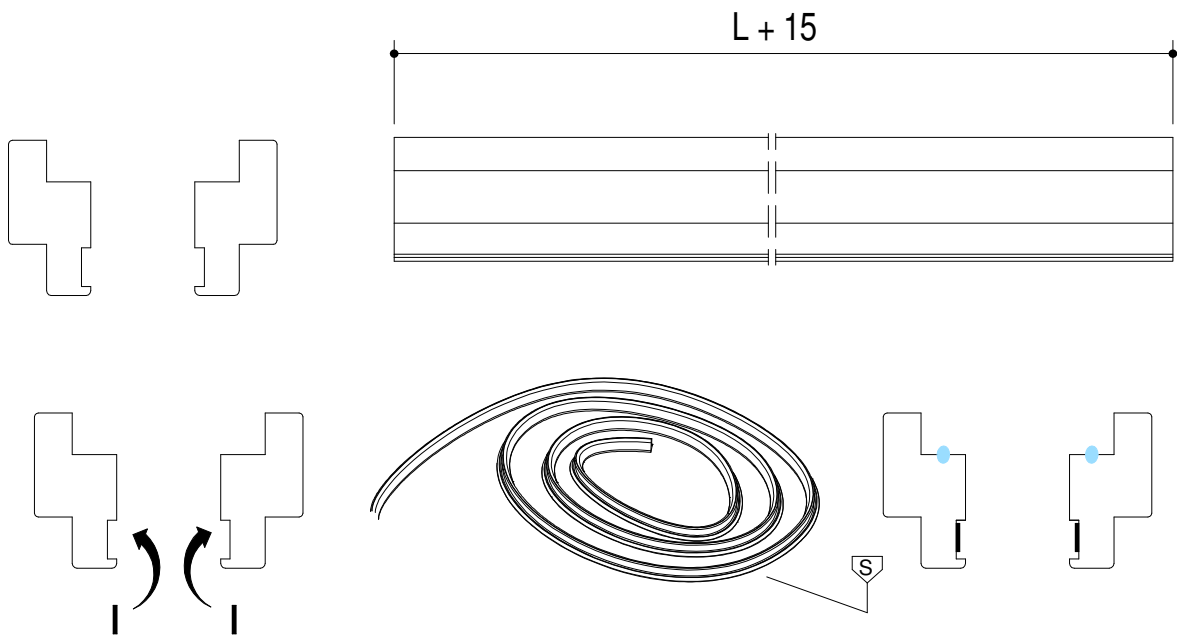
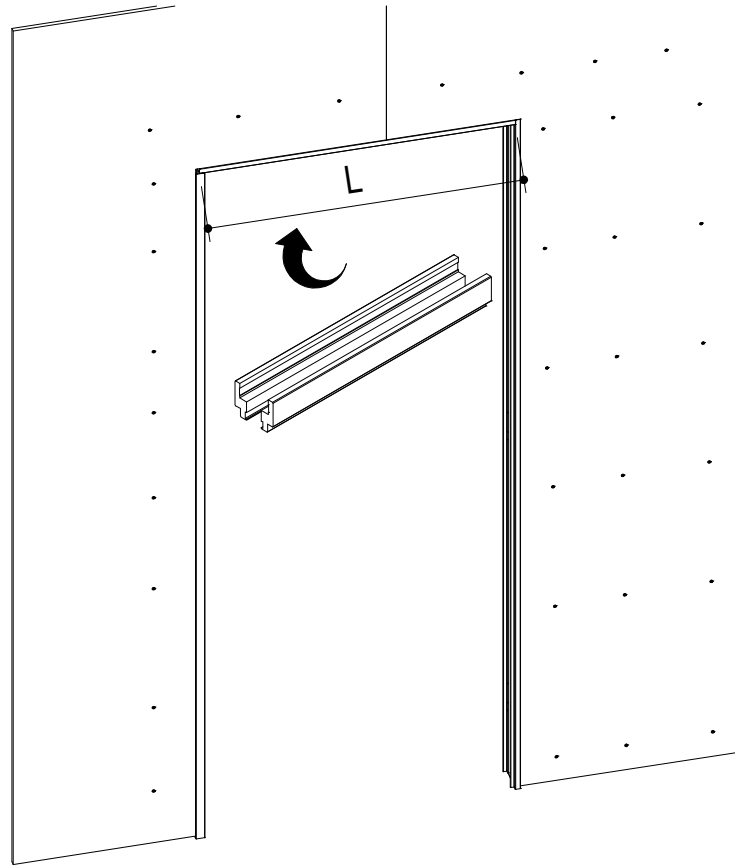
## 3.1



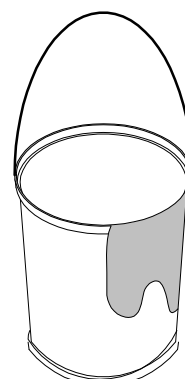
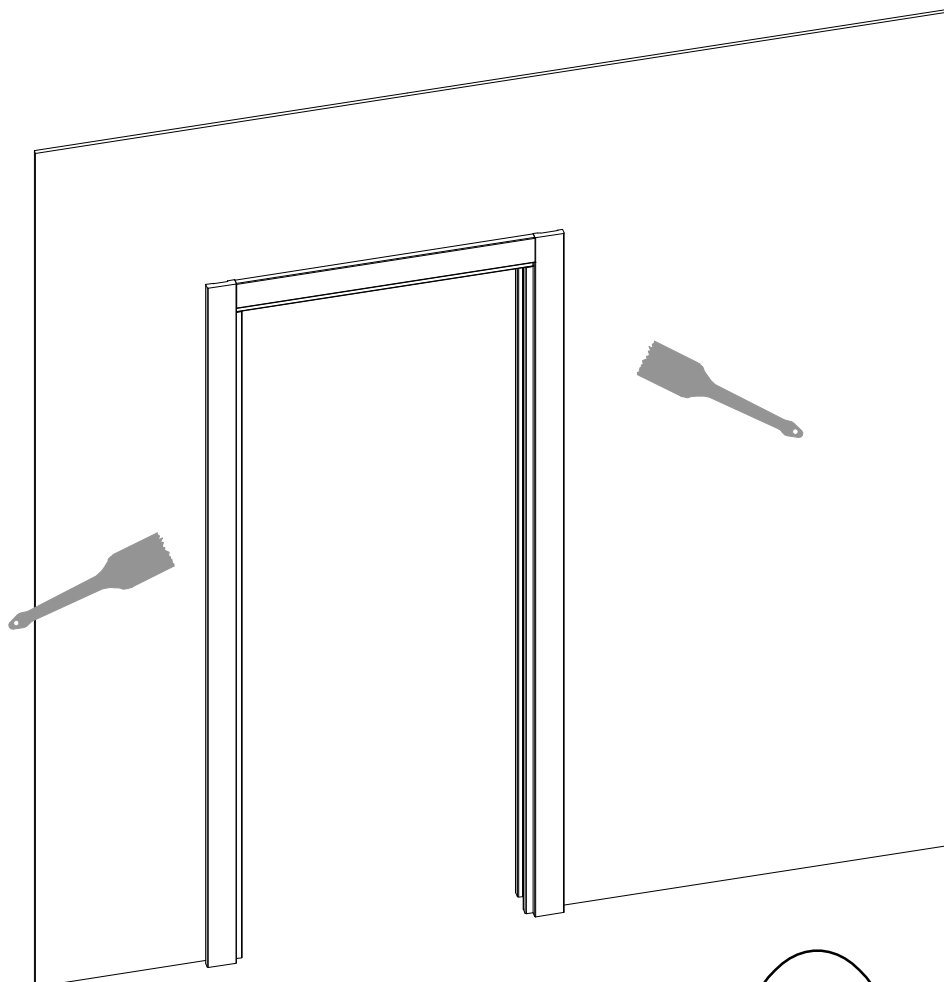
3.2



3.3



3.4



PAINT

Subject to misprints, errors and technical modifications.  
All dimensions are in mm

I N S I D E W A L L S