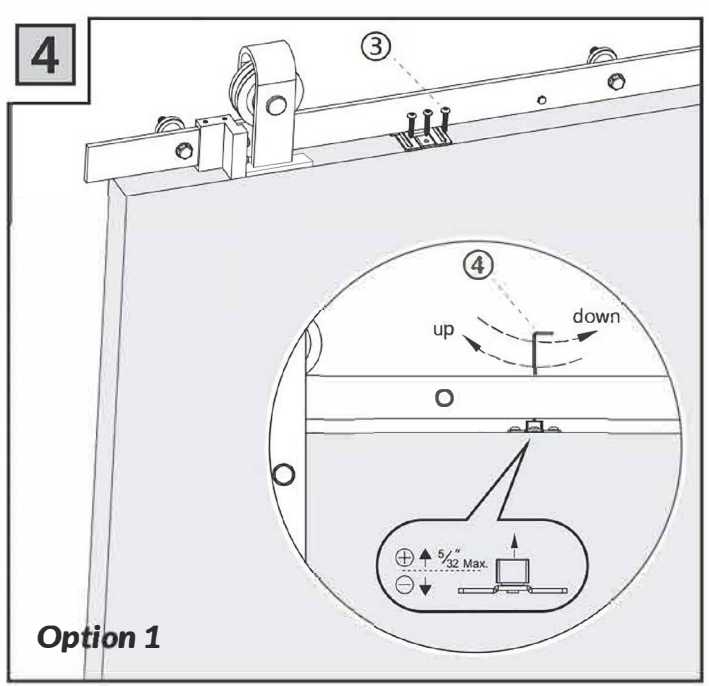
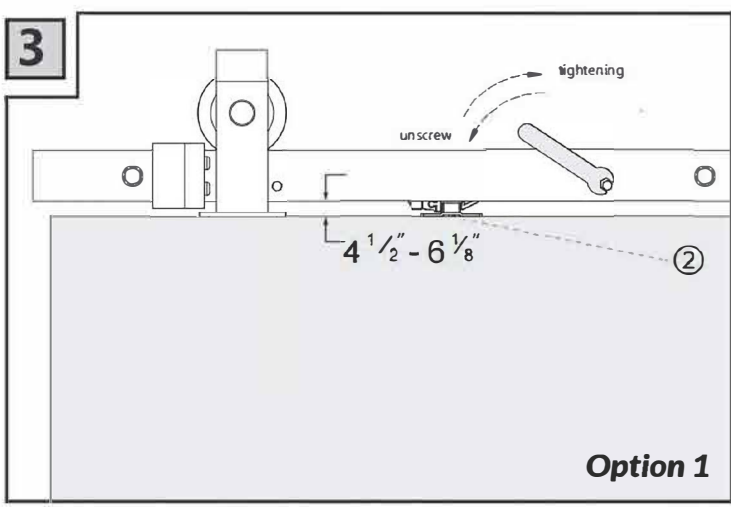
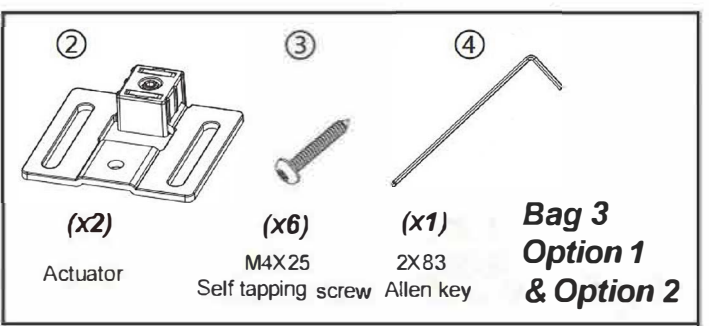
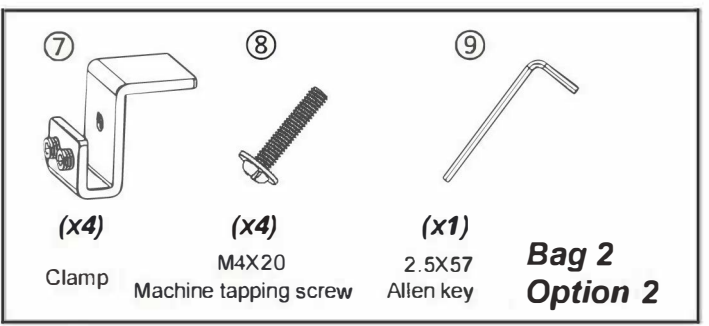
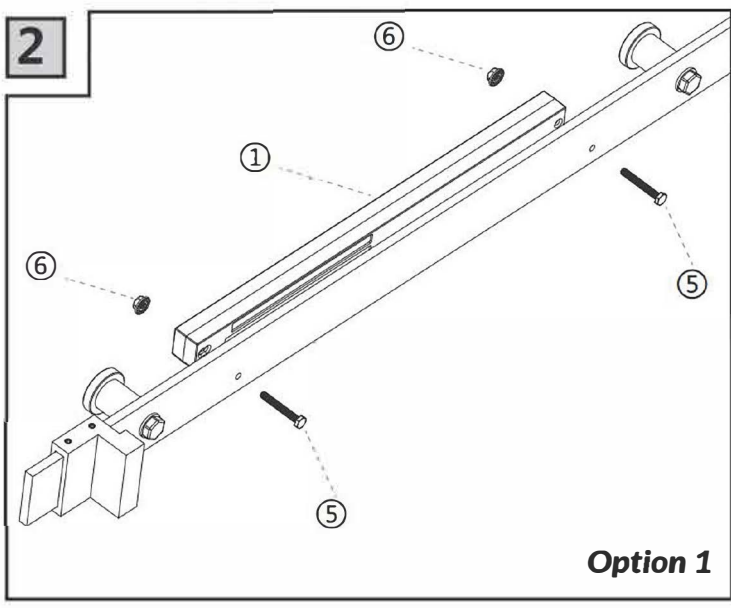
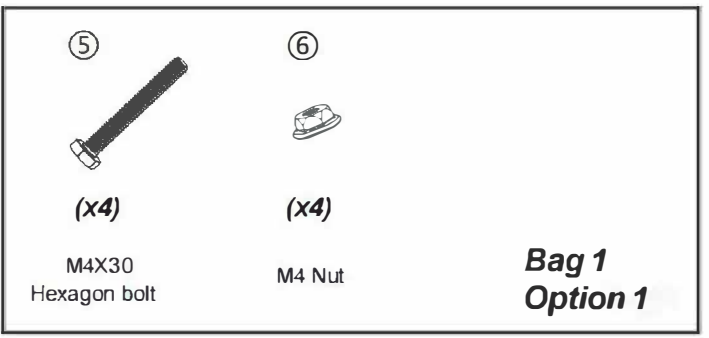
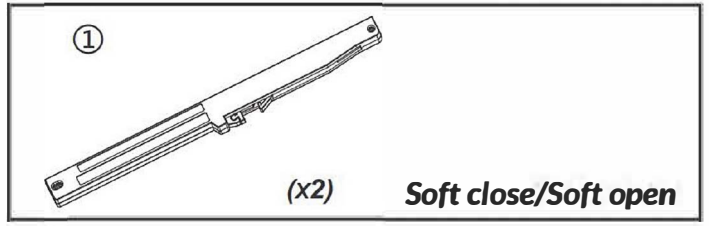
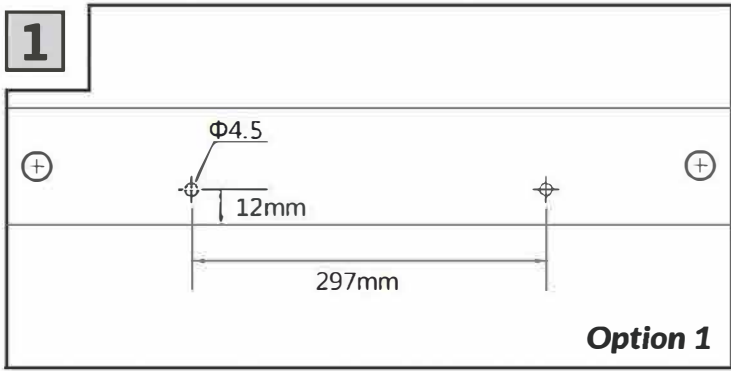


# Installation Manual For Soft Close/Soft Open



## Option 1: Installation method of drilling hole (Bag 1+ Bag 3)



**Option 2: Installation method without drilling hole (Bag 2+Bag 3)**

