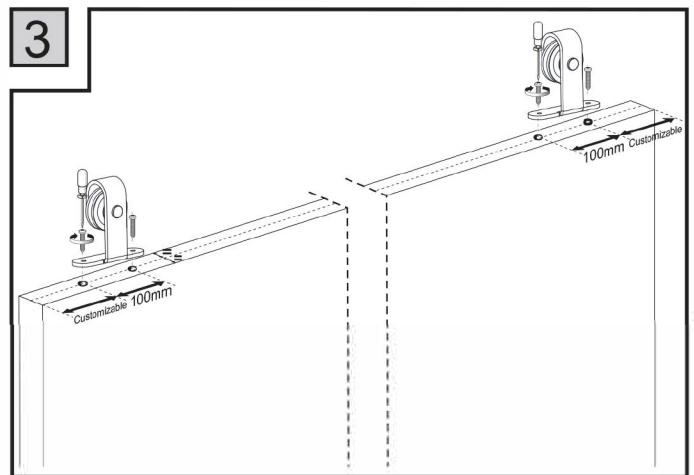
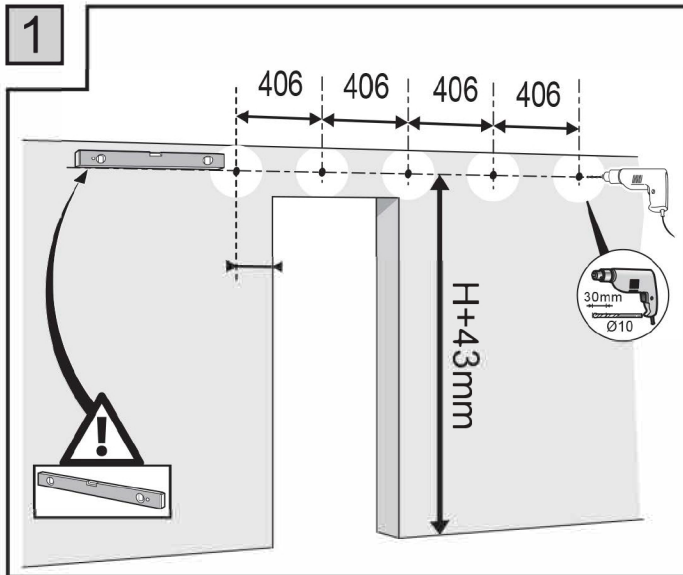
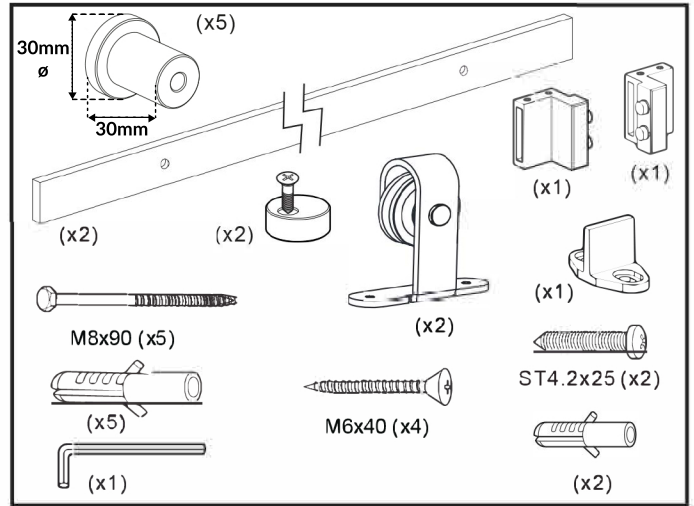
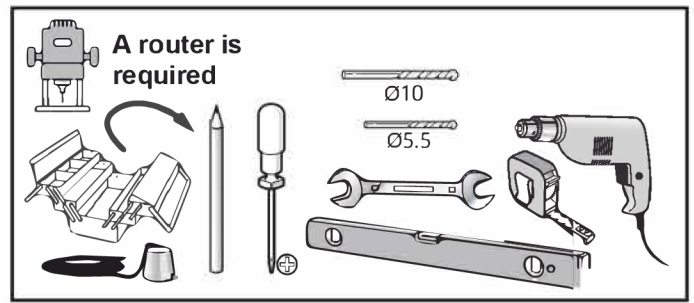
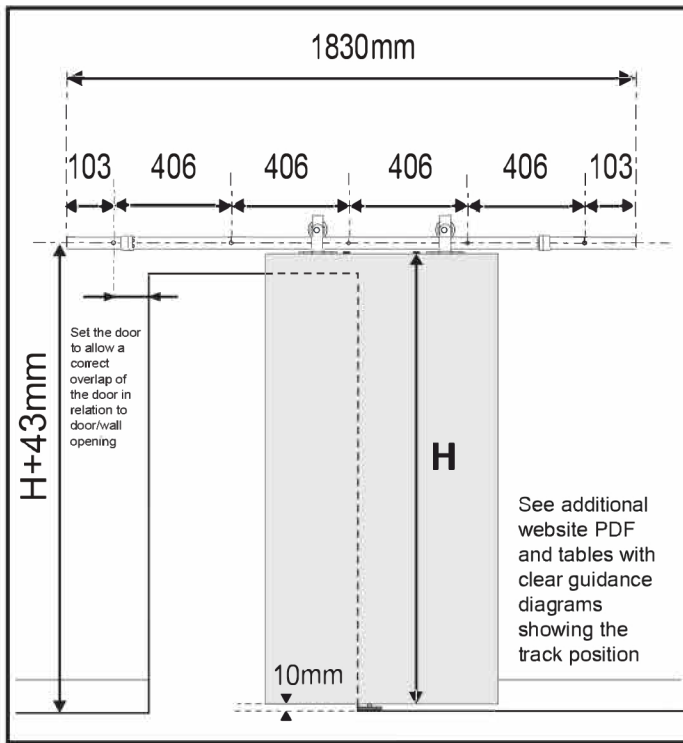


Installation Manual

THRUSLIDE TOP MOUNTED BAR TRACK

1830mm



2 For the best results and minimal clearance between door and frame/architrave please investigate fitting this wall fixing spacer directly to the wall, this will require the lintel facing/architrave being removed from the doorway OR fitting timber spacers against the frame legs/lintel BUT please check what suits your situation best.

