

T H R U S L I D E
W A L L M O U N T E D

Components & fitting guide

For any of our white, walnut and coloured doors we supply the pelmet and frame in white primed MDF for painting but on occasion it may be white paper overlay MDF for painting.

All content and images are copyright protected by DirectDoors.com
Intellectual Property Office Trademark
No: UK00003288492

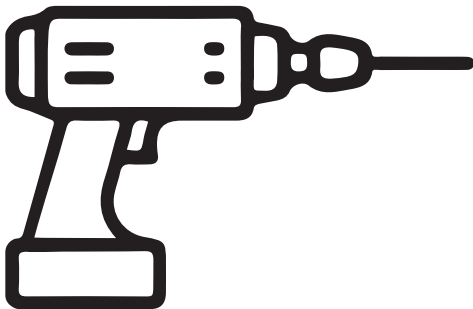
All content and images are copyright protected by DirectDoors.com



Thank you for purchasing one of our Thruslide products, in this PDF we take you step by step on how to assemble and install your new product. We will also go through the list of tools required to do so.

All Thruslide door products are cut to size upon receipt of order and cannot be cancelled afterwards, they are classed as a bespoke item created and manufactured by DirectDoors.com to suit your chosen door dimensions. Please ensure you have a reliable joiner / builder to carry out the following works and ensure that they have a well ventilated area if cutting.

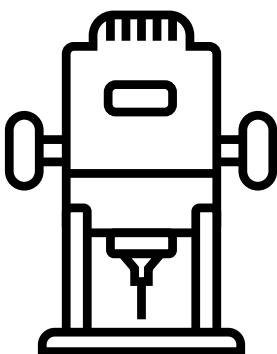
TOOLS REQUIRED



Cordless Power Drill - Drill Bits



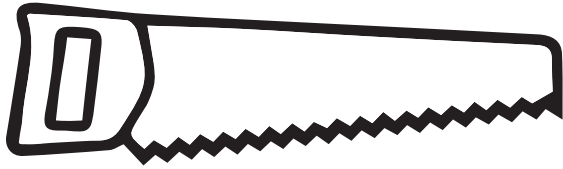
3mm Steel Drill Bit (this is required for pilot holes & aluminium track)



Router



Masonry Bit (only required if it's not a timber stud wall you're fixing to)



Hand Saw

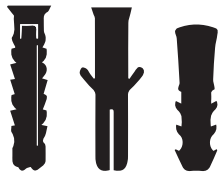


Tape Measure



Spirit Level

Please note that the following materials are NOT supplied with the Thruframes:

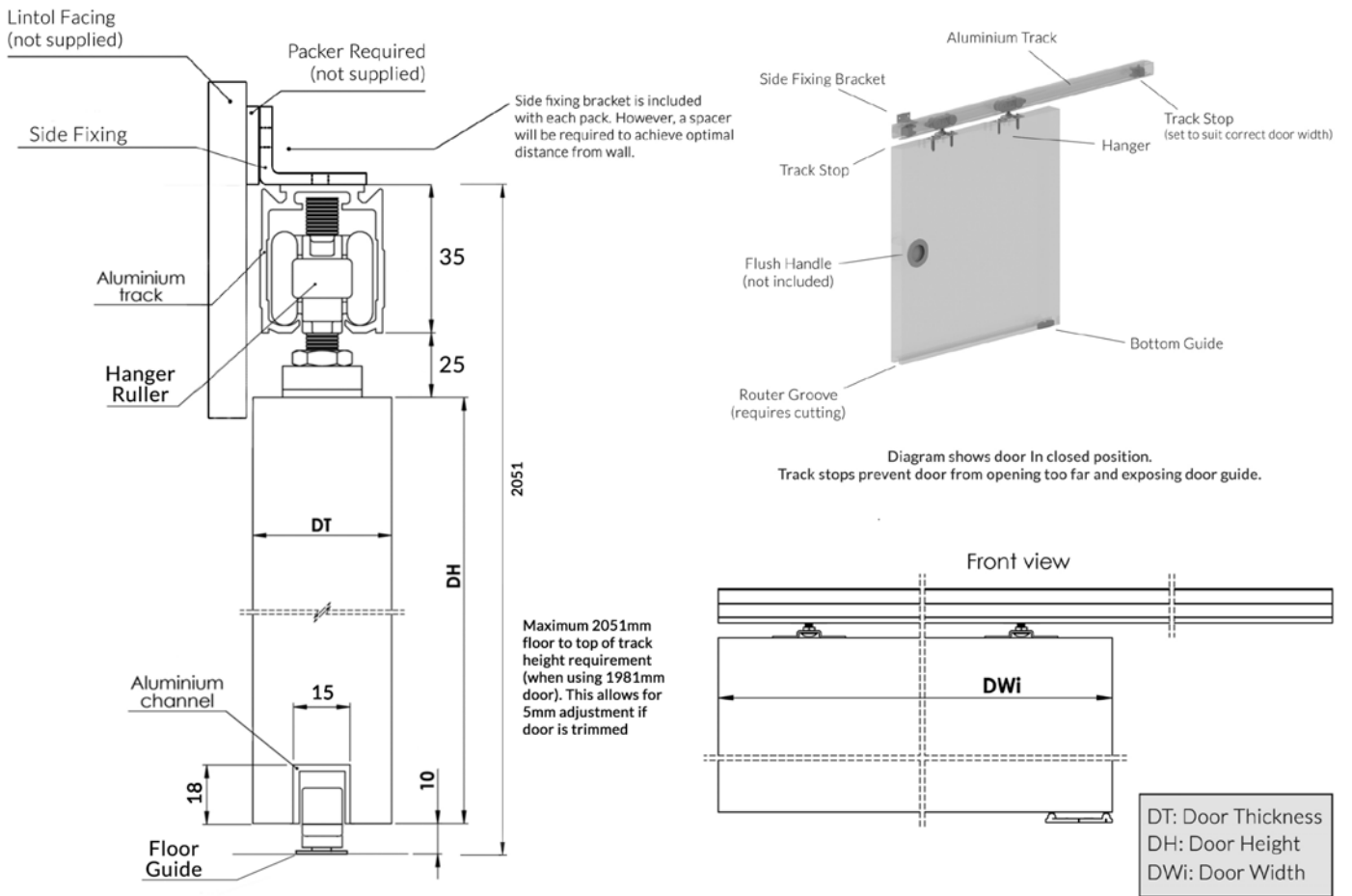


Wall screw fixings and masonry plugs: these are very dependent on whether the wall is "stud" timber frame or brick etc., stud walls do not require masonry plugs

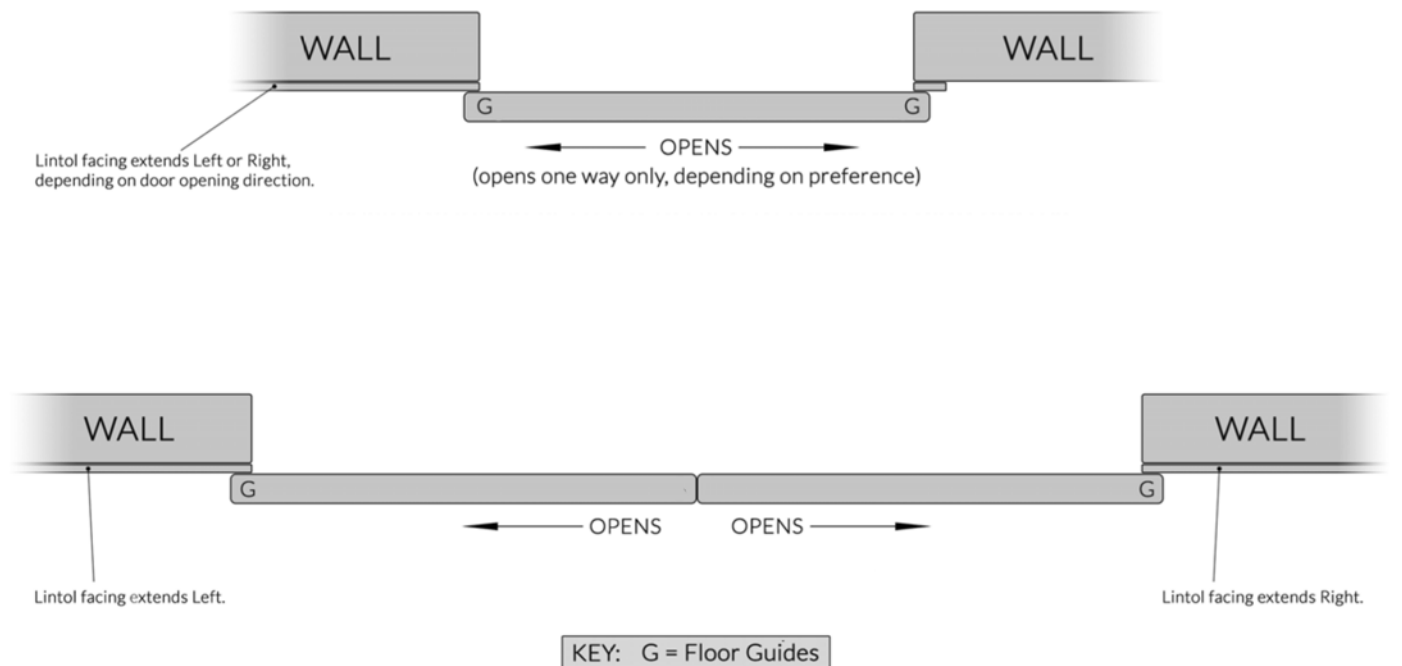


Filler

TRACK AND DOOR ARRANGEMENT WITH FLOOR GUIDE



THRUSLIDE SURFACE DOOR CONFIGURATIONS





ANODISED ALUMINIUM TOP TRACK, 2 LENGTHS



WHEELS AND HANGERS



CONCEALED SOFT CLOSER/OPENER



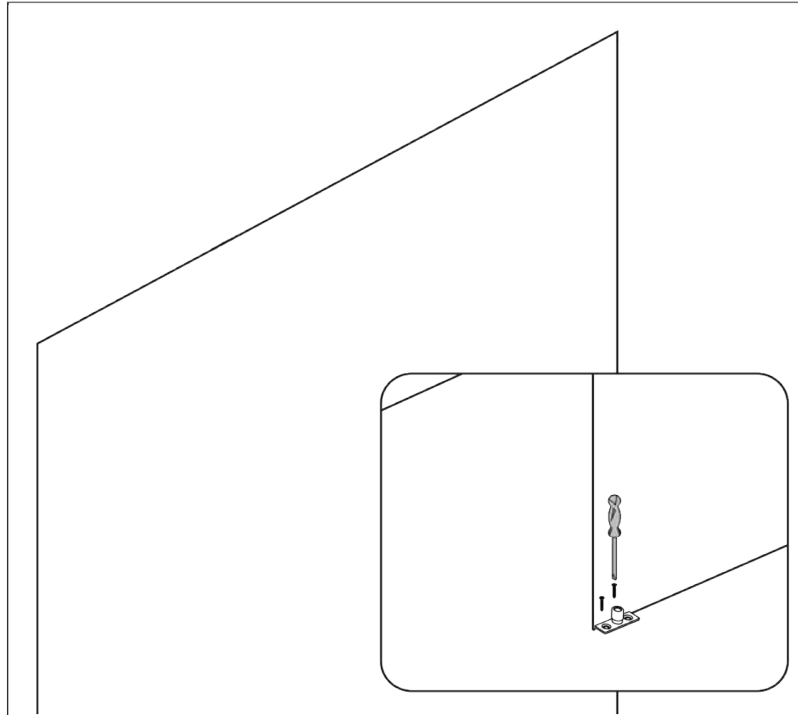
ALUMINIUM DOOR CHANNEL



FLOOR GUIDE



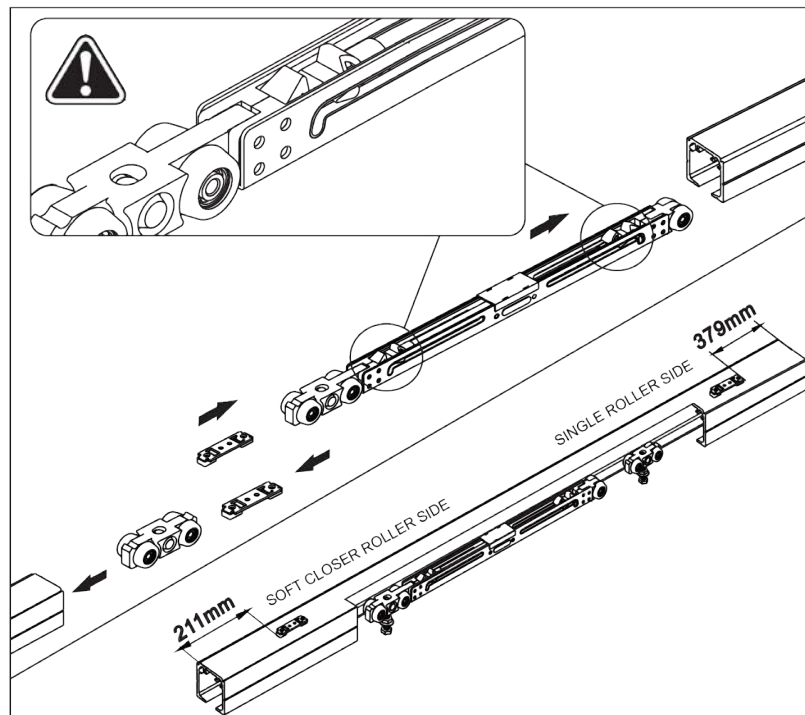
FACE FIXED BRACKET
(QUANTITY VARIABLE DEPENDANT ON CONFIGURATION)



CONCEALED SOFT CLOSER KIT



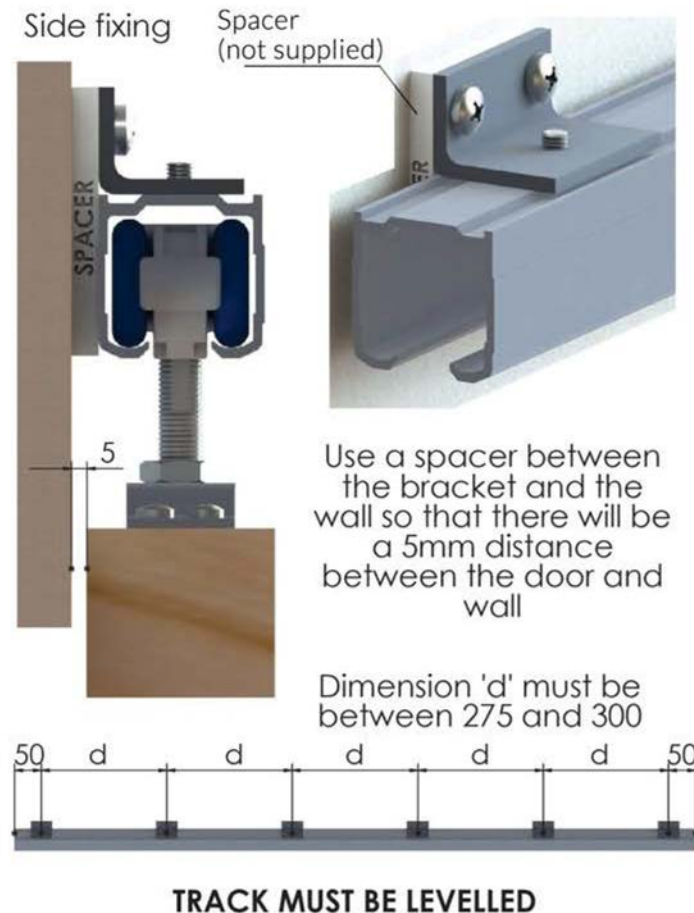
Before the soft closer is installed into the track, ensure that the soft closer slide buckle is in the open position on both ends (as shown on the picture).



1. PREPARING TRACK

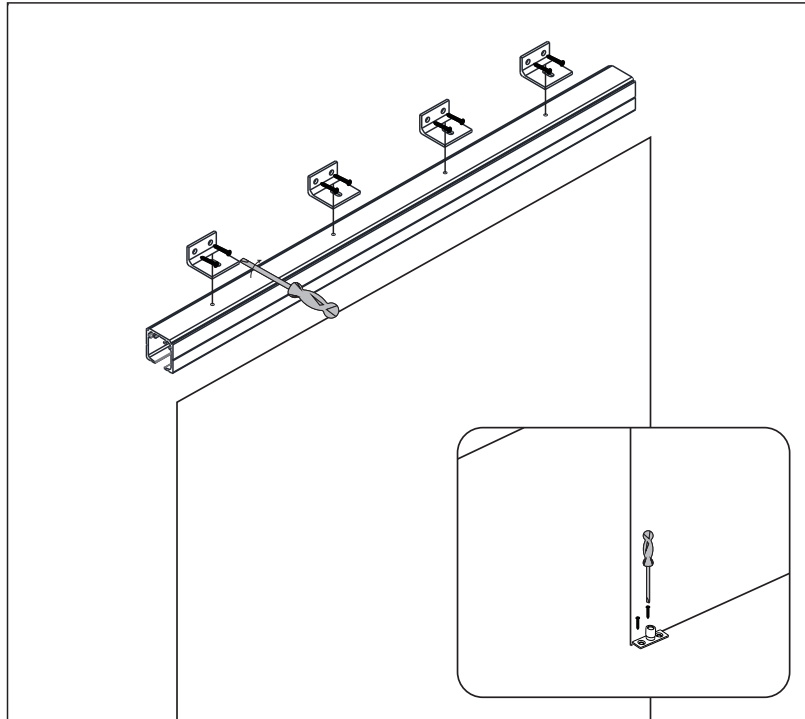


2. TRACK FITTING (Track holes are not pre-drilled)



3. TRACK & BOTTOM GUIDE FITTING

Part of the bottom door guide may show (depending on the selected position of the guide) either when fully open or fully closed.

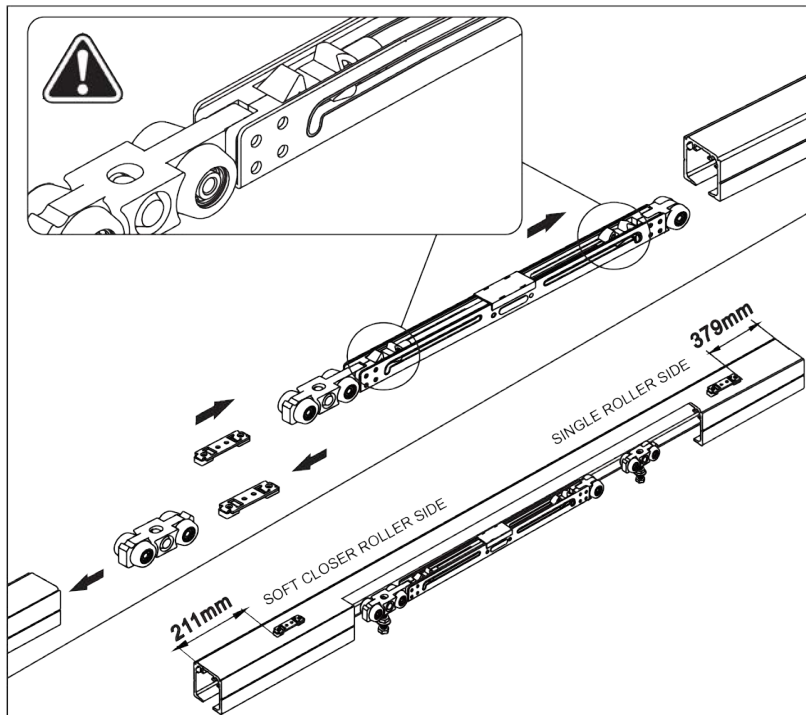


4. SOFT CLOSER FITTING



Before the soft closer is installed into the track, ensure that the soft closer slide buckle is in the open position on both ends (as shown on the picture).

Slide the Soft Closer/Opener into the track before fixing track to lintol between frame legs.

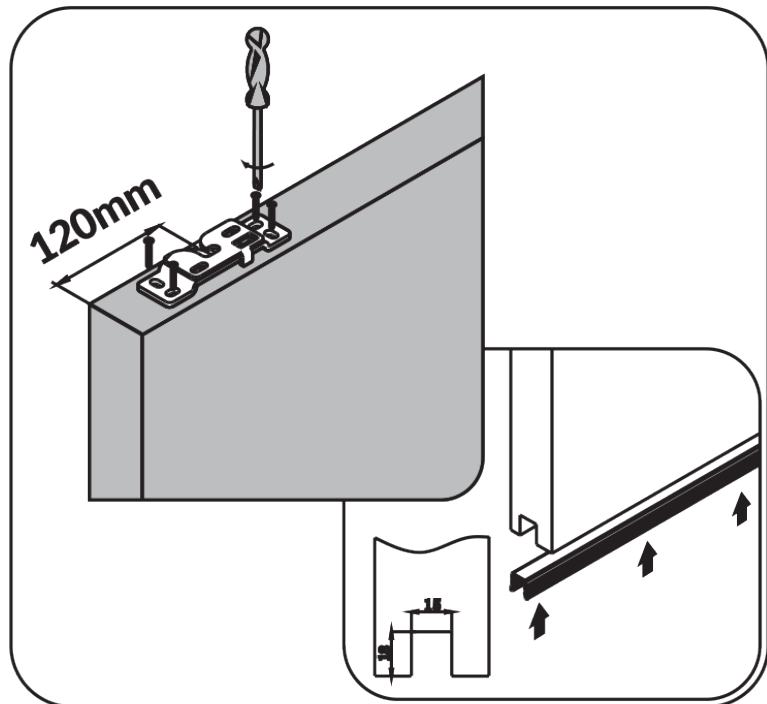


5. HANGER PLATES & DOOR CHANNEL FITTING

Mark the proper position of the hanger plates on top of the door and fix them with screws.

Insert the bottom door channel.

Aluminium door channel requires drilling for fixing.



6. DOOR INSTALLATION

Insert the door and adjust the screws.

Ensure that the door is square, level and plumb.

