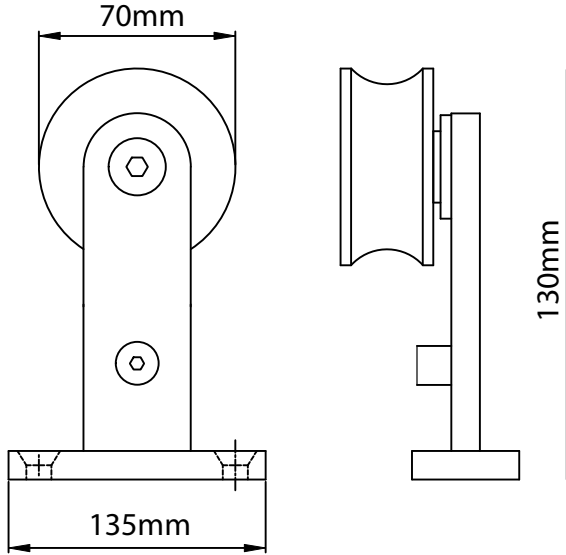
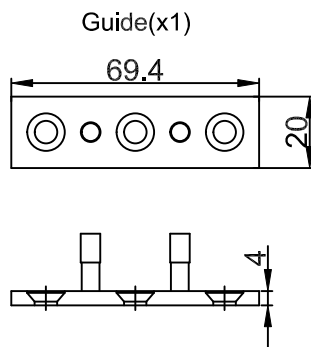
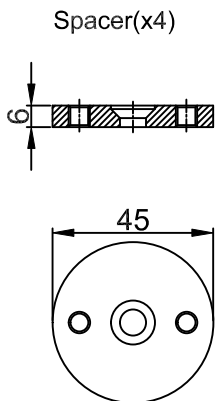
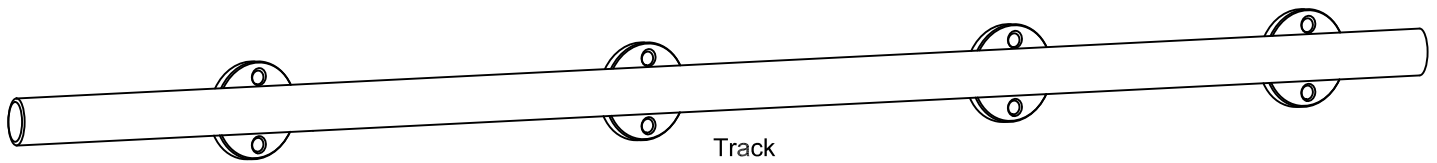


Roller(x2)

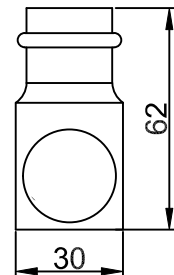


TOP MOUNT HANGER SINGLE WHEEL

(x1)



Stopper(x2)



Soft Closer(x2)

