



Trade, DIY, Bulk



T H R U S L I D E
SURFACE SLIDING
DOORS

All content and images are copyright protected by DirectDoors.com
Intellectual Property Office Trademark
No: UK00003288492

TRACK AND DOOR ARRANGEMENT WITH FLOOR GUIDE

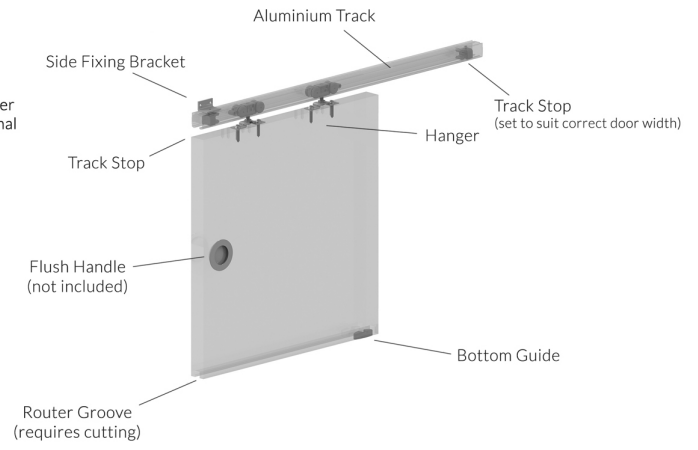
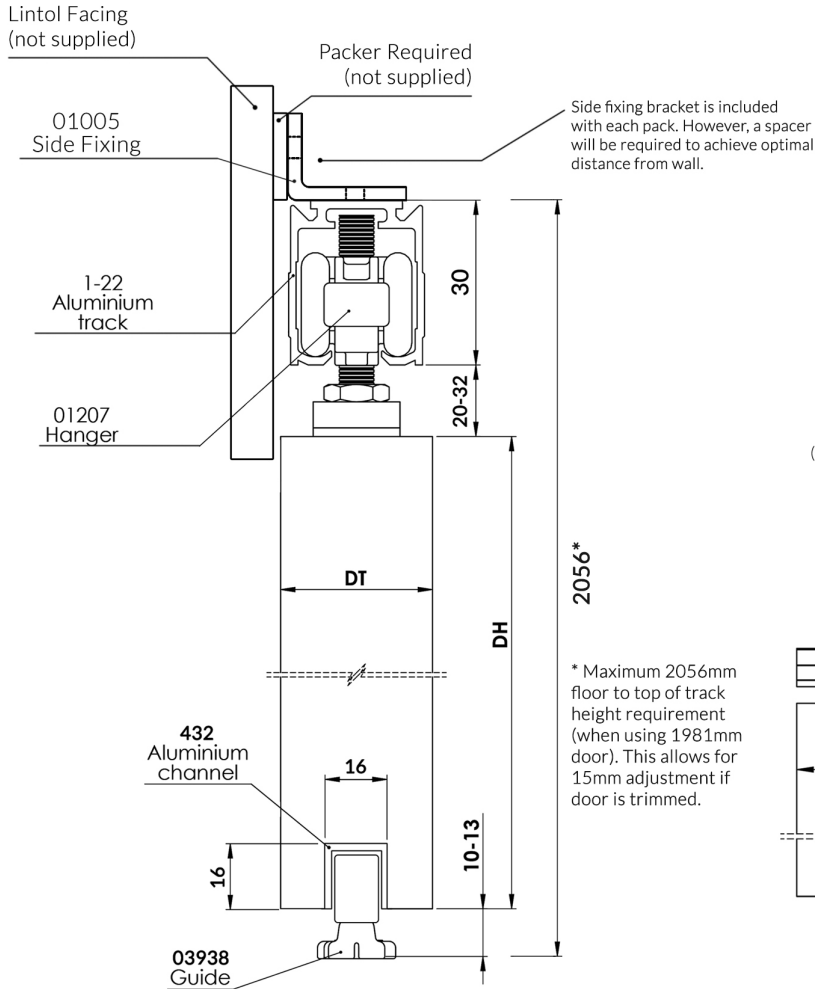
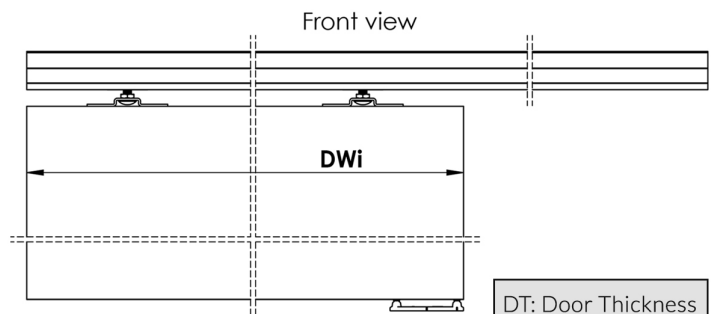
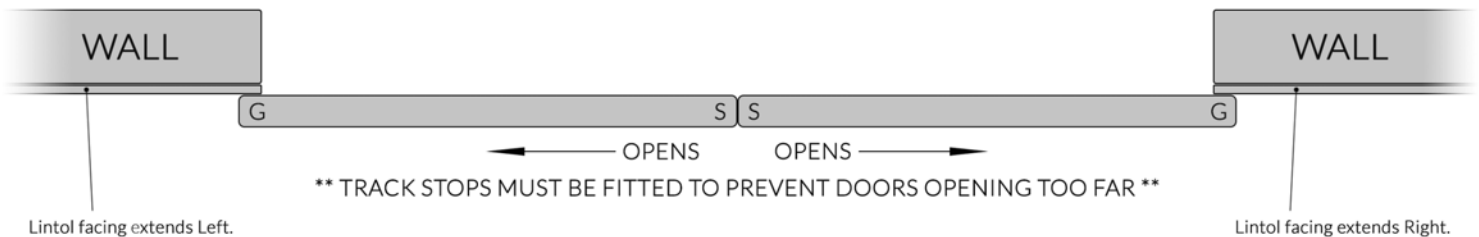
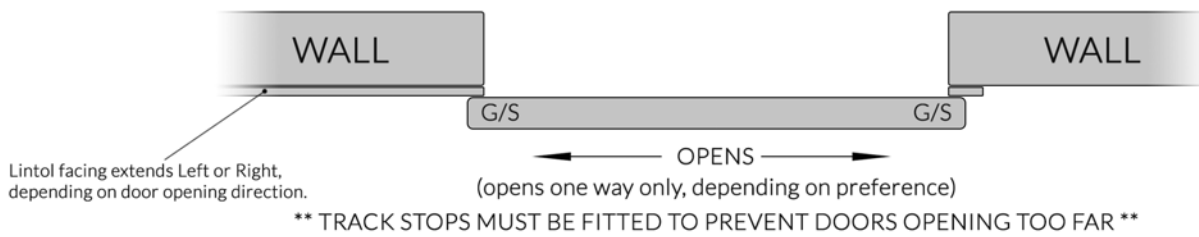


Diagram shows door in closed position.
Track stops prevent door from opening too far and exposing door guide.



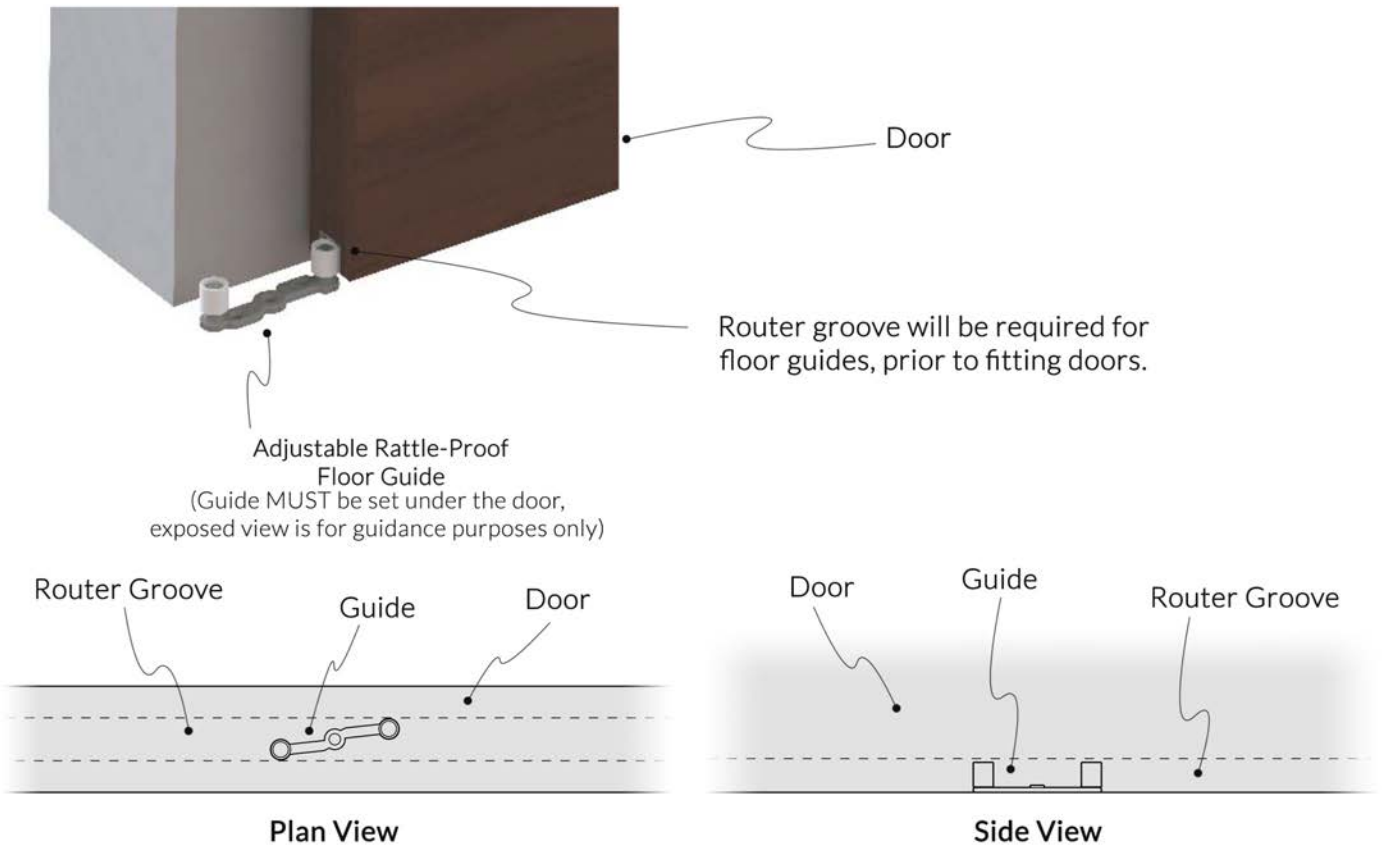
DT: Door Thickness
DH: Door Height
DWi: Door Width

THRUSLIDE SURFACE DOOR CONFIGURATIONS



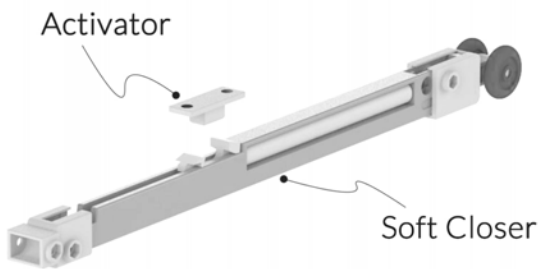
KEY: S = Track Stops
G = Floor Guides

RATTLE-PROOF FLOOR GUIDE

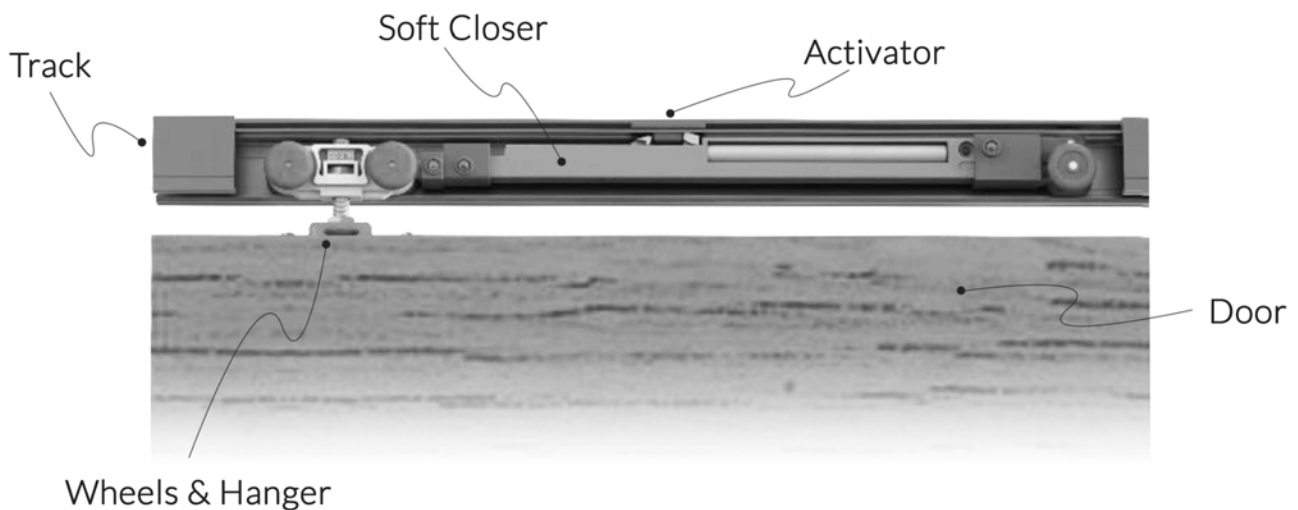


NOTE: Images are for indication purposes only - Product styles and dimensions may vary slightly.

THRUSLIDE SURFACE - CONCEALED SOFT CLOSER KIT



The Soft-Closer kit is fitted within the sliding door assembly track, where it is concealed from view. The mechanism provides a soft and smooth closing operation to the door assembly.



THRUSLIDE SURFACE FITTING INSTRUCTIONS

COMPONENTS



ANODISED ALUMINIUM TOP TRACK



TRACK STOP
(QUANTITY VARIABLE DEPENDANT ON CONFIGURATION)



WHEELS AND HANGERS
(QUANTITY VARIABLE DEPENDANT ON CONFIGURATION)



CONCEALED SOFT CLOSER 100kg (MAX)
1 PER DOOR



ALUMINIUM CHANNEL
(FOR FITTING INTO THE UNDERSIDE ROUTERED
GROOVE OF DOOR, **NOT TO THE FLOOR**)



ADJUSTABLE RATTLE PROOF GUIDE 13mm ROLLER
(QUANTITY VARIABLE DEPENDANT ON CONFIGURATION)



FACE FIXED BRACKET
(QUANTITY VARIABLE DEPENDANT ON CONFIGURATION)

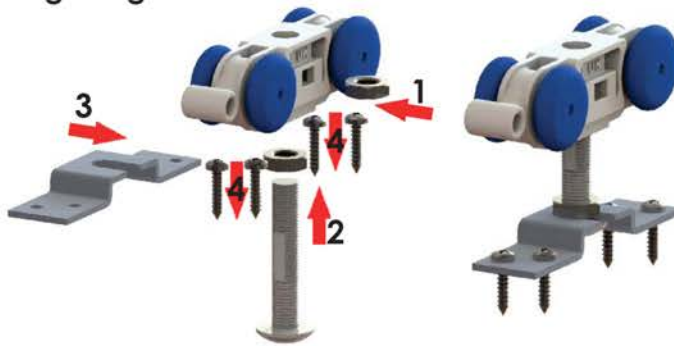
Step 1 Preparing track



Minimum track length must be 2 x door width (DW).

Place track on a flat surface and cut it to required length.

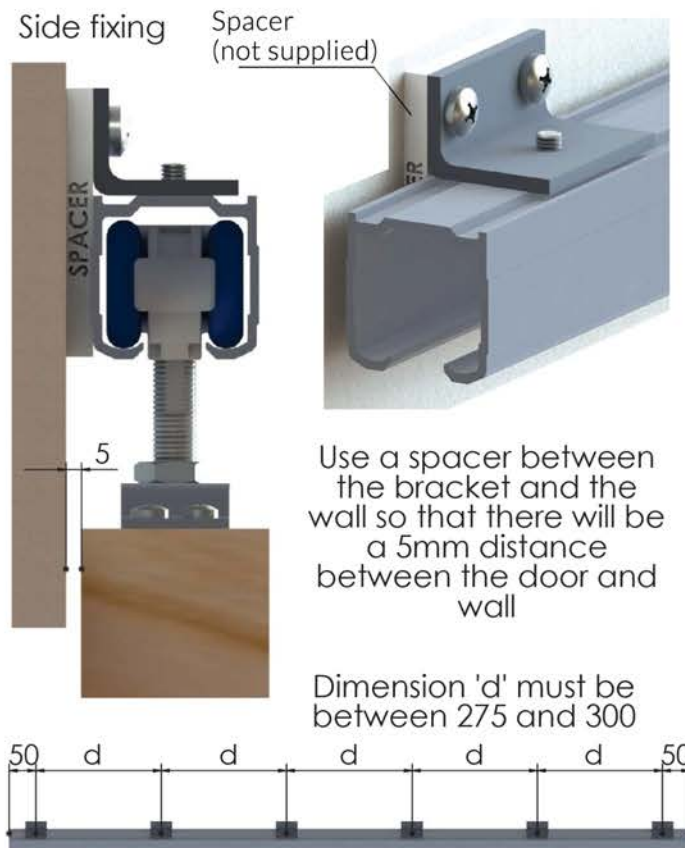
Step 2 Preparing hanger



Slide wheel into track before fixing track between frame legs.

Hanger for timber doors (pair)

Step 3 Fixing track



Side fixing

Spacer (not supplied)

Use a spacer between the bracket and the wall so that there will be a 5mm distance between the door and wall

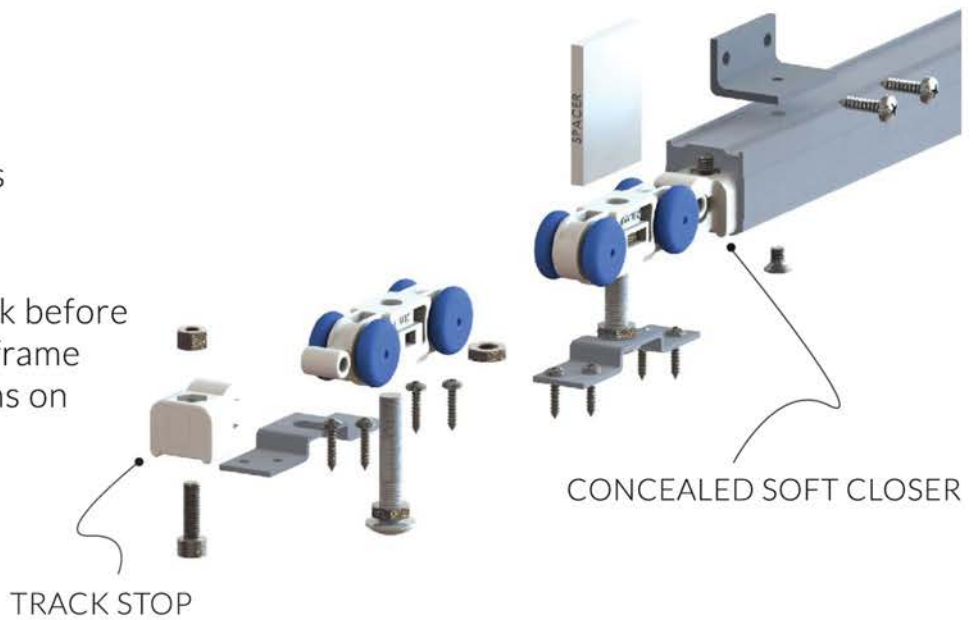
Dimension 'd' must be between 275 and 300

TRACK MUST BE LEVELLED

Step 4 Components layout

*Refer to the fitting instructions for the **Soft Closer**.

Slide the **Soft Closer into track before fixing track to lintol between frame legs - see separate instructions on next pages.

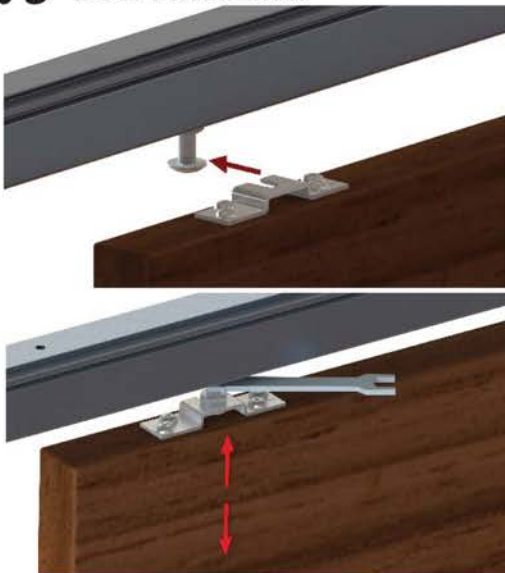


Step 5 Preparing the door



For timber doors:
Mark the proper position of the hanger plates on top of the door and fix them with screws

Step 6 Door installation



Insert the door panel and adjust it vertically.

Ensure that the door panel is square, level and plumb

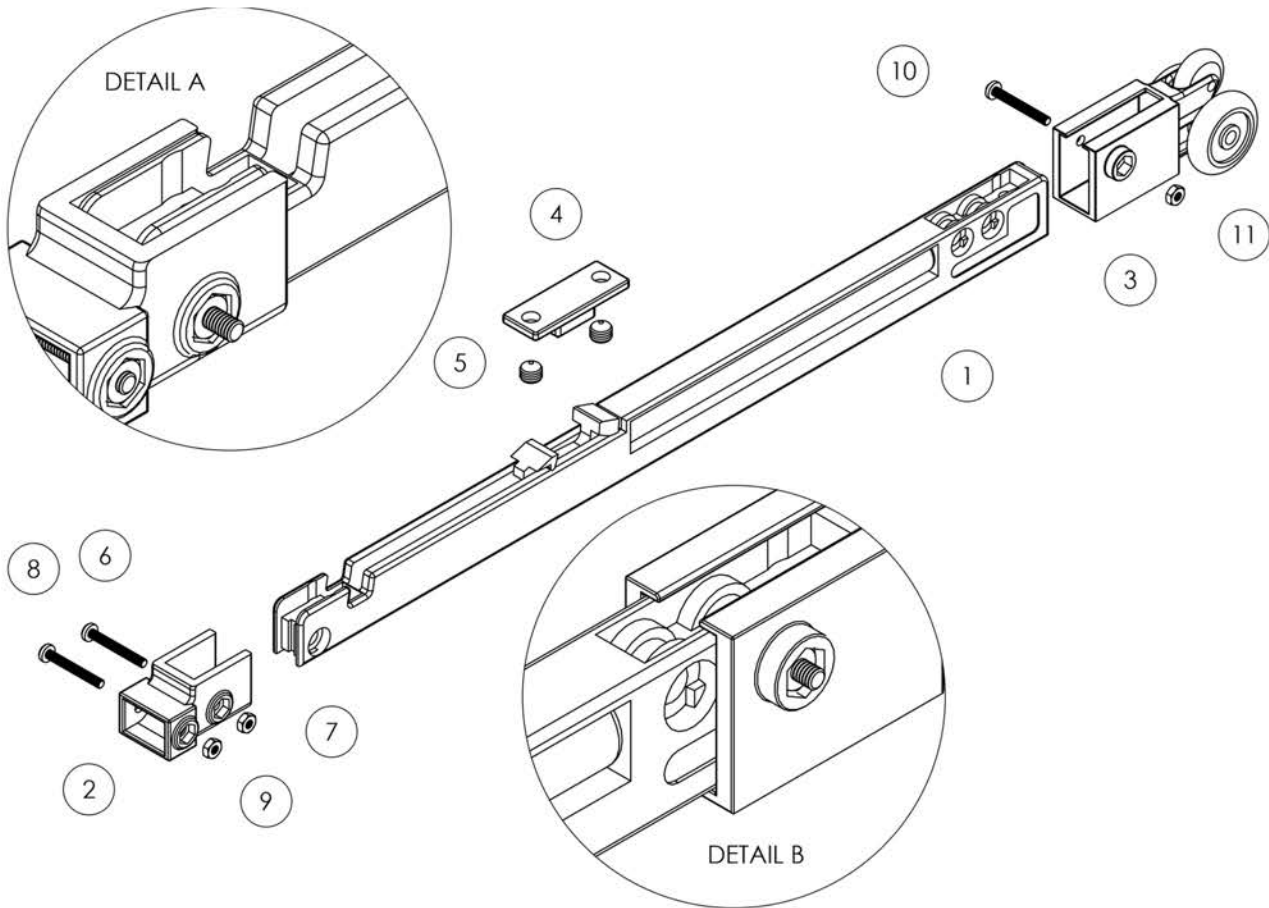
Step 7 Bottom guide installation



03938 - ADJUSTABLE
RATTLE PROOF,
13mm ROLLER

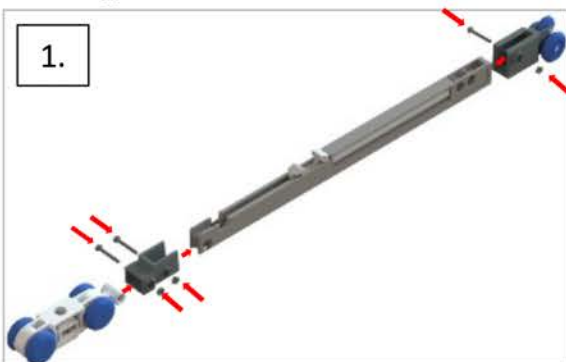
Adjustable Rattle-Proof
Floor Guide
(Guide MUST be set under the door,
exposed view is for guidance purposes only)

CONCEALED SOFT CLOSER FITTING INSTRUCTIONS



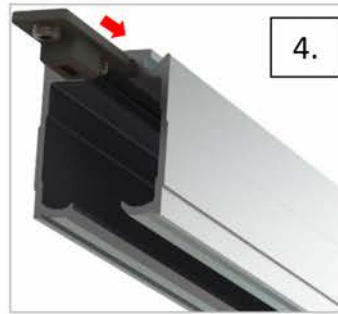
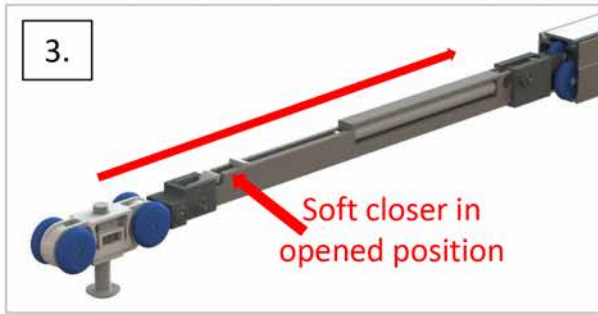
30637 – CONCEALED SOFT CLOSER KIT

Step 1 Attach soft closer to hanger



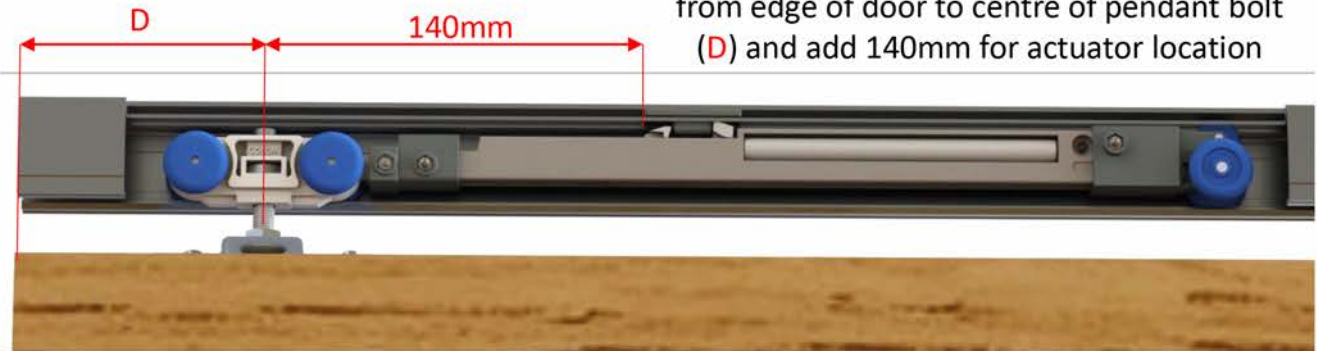
Attach 3-wheeler to the back of the soft closer. Attach adaptor to other side of soft closer, afterwards attach hanger to adaptor (1.).

Step 2 Insert actuator and soft closer



Make sure soft closer trigger is in open position, then insert soft closer inside track (3.) and then insert actuator in the track(4). Attach door onto hangers. Measure distance

from edge of door to centre of pendant bolt (D) and add 140mm for actuator location



Step 3 (OPTIONAL) Soft opening

Repeat steps 1 and 2 for soft opening

