



Trade, DIY, Bulk



T H R U S L I D E

WARDROBE SLIDING DOORS

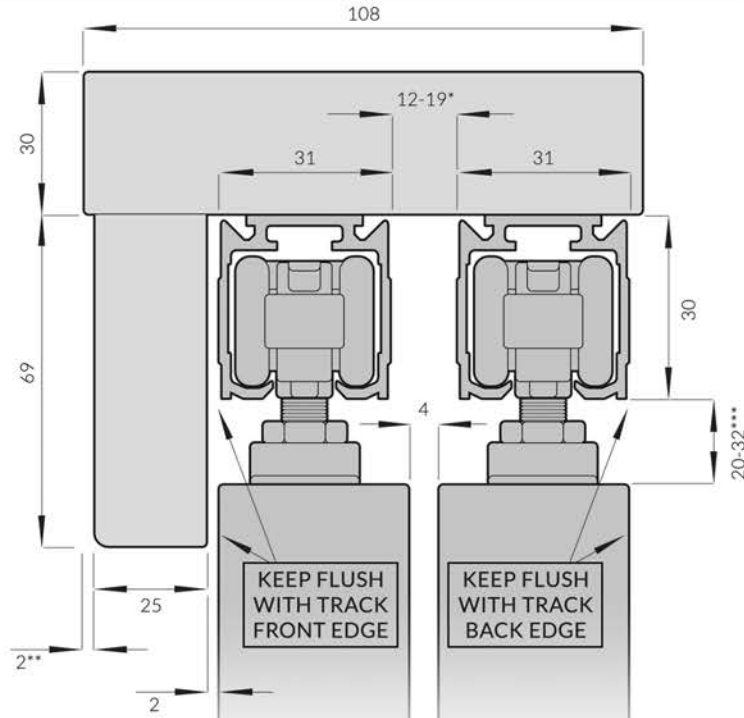
For any of our white, walnut and coloured doors we supply the pelmet and frame in white primed MDF for painting but on occasion it may be white paper overlay MDF for painting.

All content and images are copyright protected by DirectDoors.com
Intellectual Property Office Trademark
No: UK00003288492

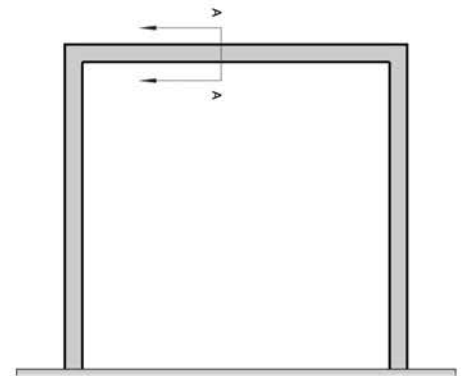
TRACK ARRANGEMENT ON FRAME ASSEMBLY

108mm LINTOL

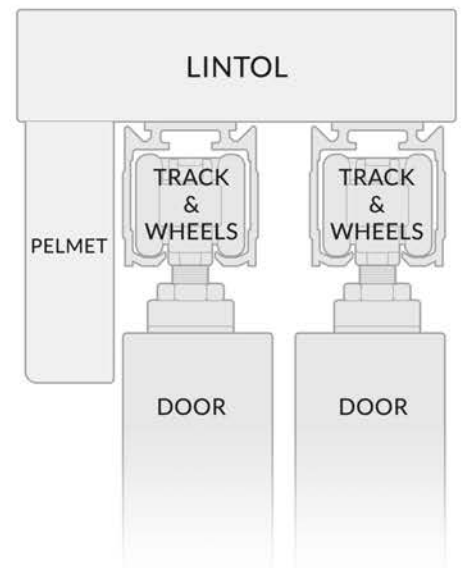
** ALL DIMENSIONS ARE APPROXIMATE **



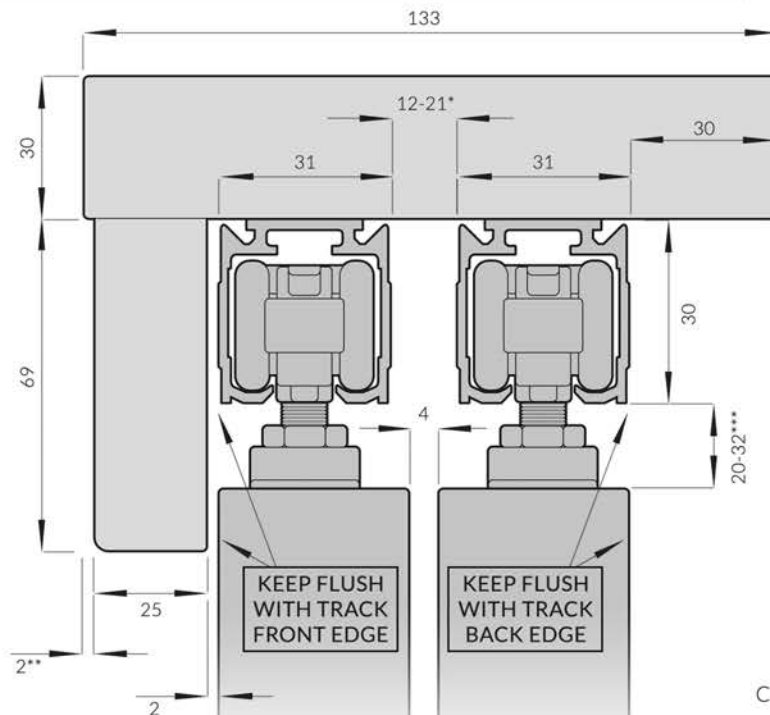
- 12-19*** If using glazed doors that feature protruding beads, the gap between tracks should be increased.
- 2-4**** Any increase to the gap between tracks may require the pelmet to move closer to the edge of the lintol (choice dependant).
- 20-32***** This measurement is adjustable, depending on required door height and/or floor level.



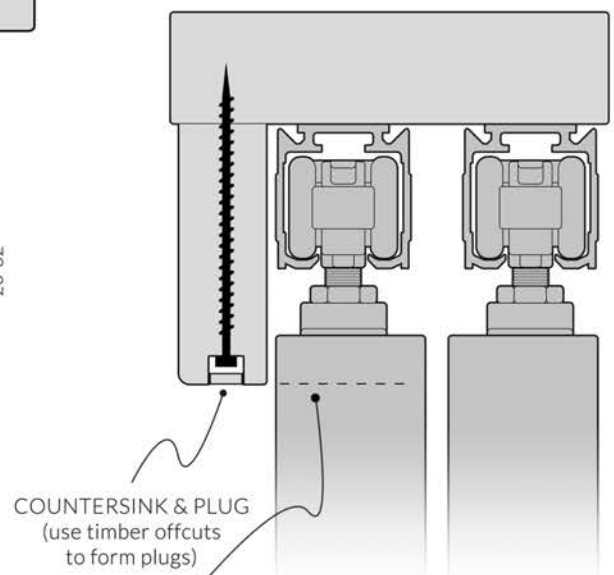
SECTION A-A



133mm LINTOL



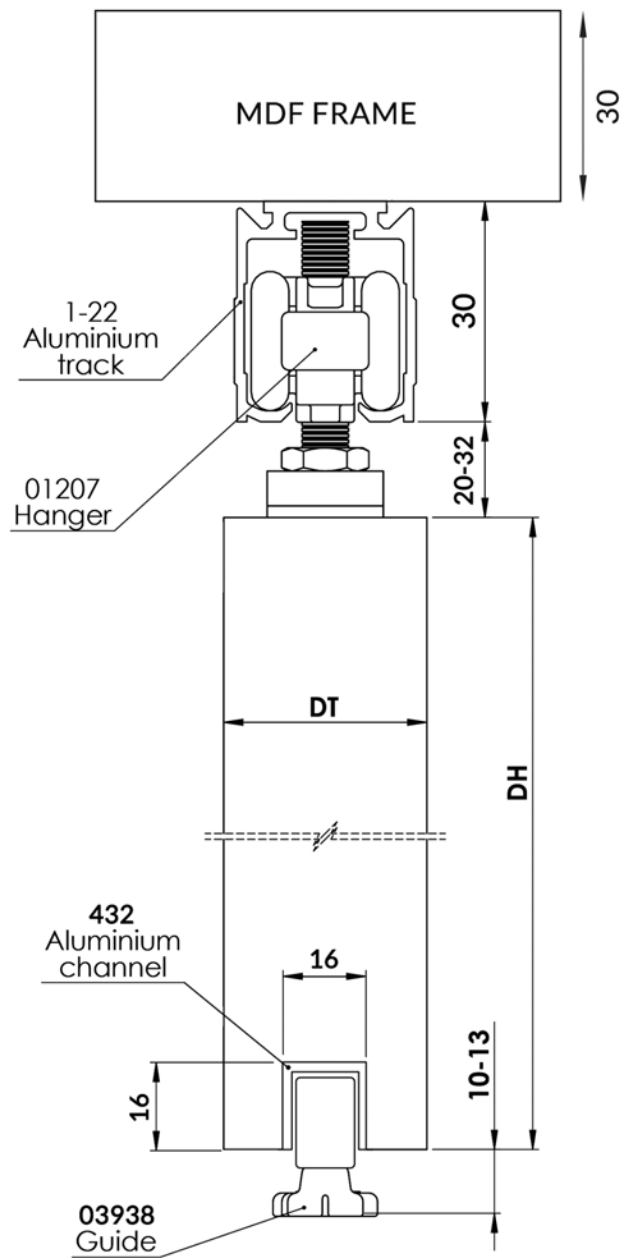
- 12-21*** If using glazed doors that feature protruding beads, the gap between tracks should be increased.
- Min.2**** Any increase to the gap between tracks may require the pelmet to move closer to the edge of the lintol (choice dependant).
- 20-32***** This measurement is adjustable, depending on required door height and/or floor level.



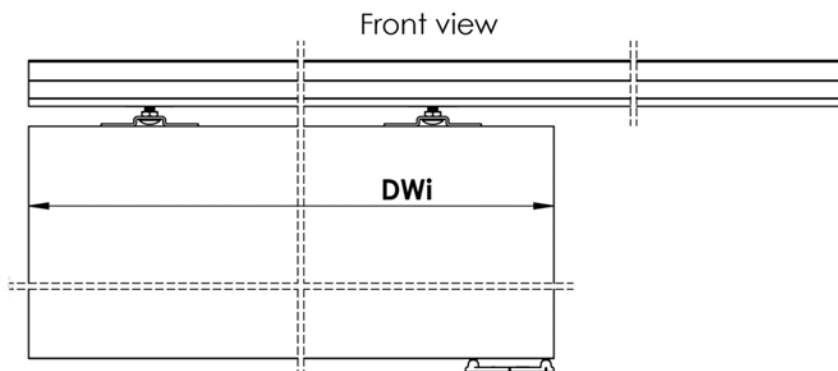
NOTE: The amount the pelmet covers the door by is dependant on what clearance you give between top of door and track.

TRACK AND DOOR ARRANGEMENT WITH FLOOR GUIDE

SINGLE TRACK SHOWN FOR GUIDANCE PURPOSES ONLY

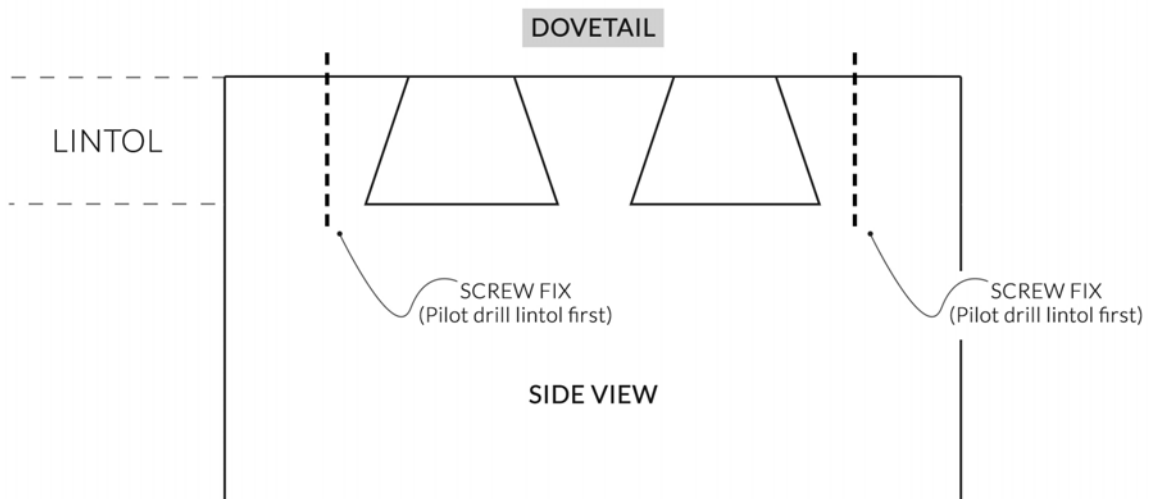
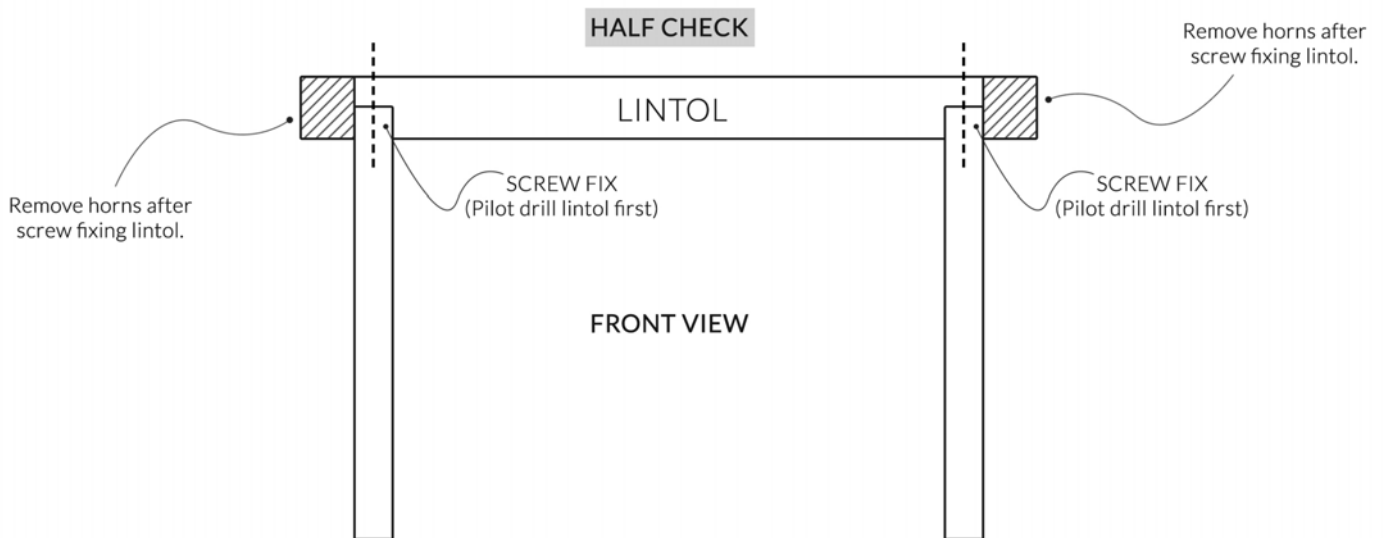
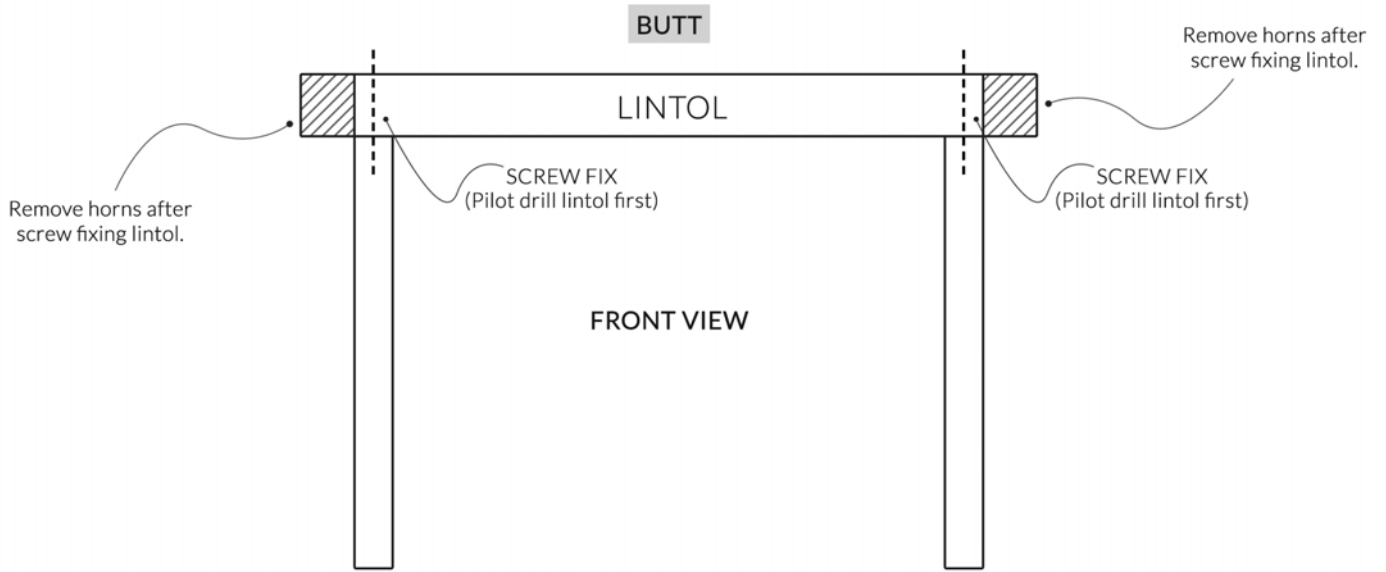


DT: Door Thickness
DH: Door Height
DWi: Door Width

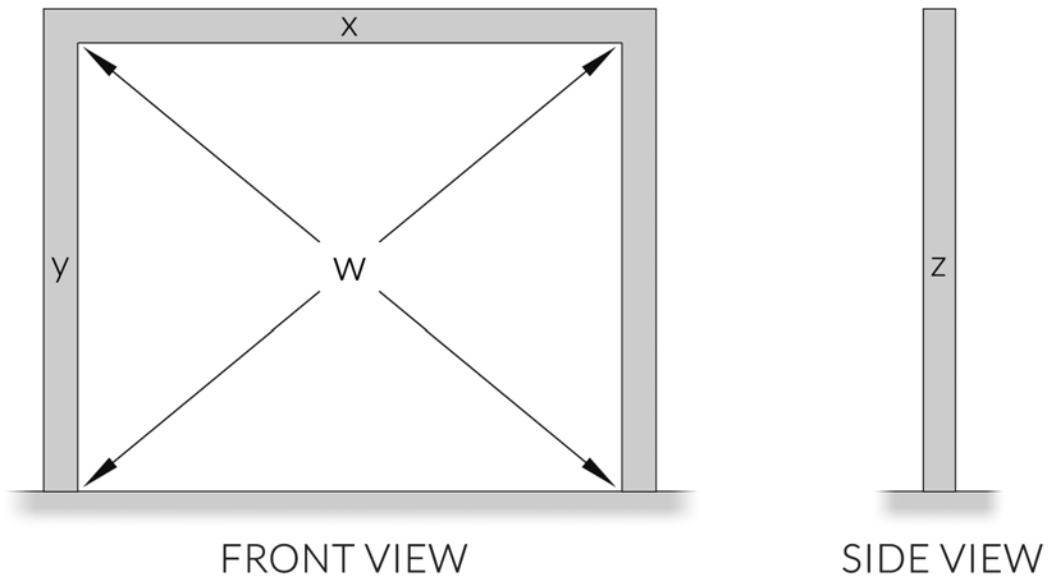


3 POSSIBLE OPTIONS FOR JOINING FRAME SECTIONS

All frame legs & lintols supplied longer for site trimming.



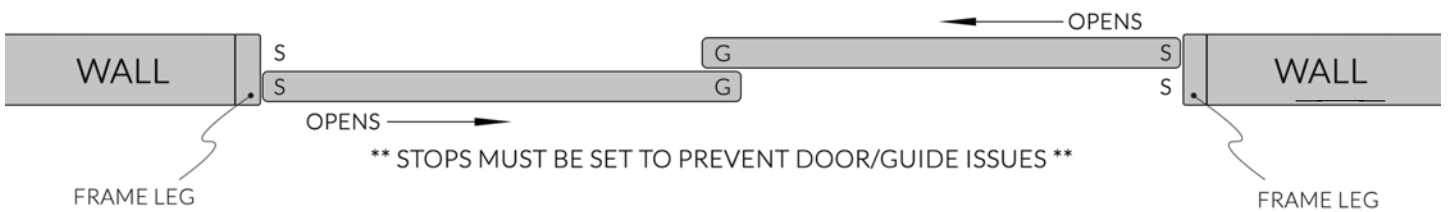
FRAME MUST BE PERFECTLY ALIGNED ON ALL THREE AXIS



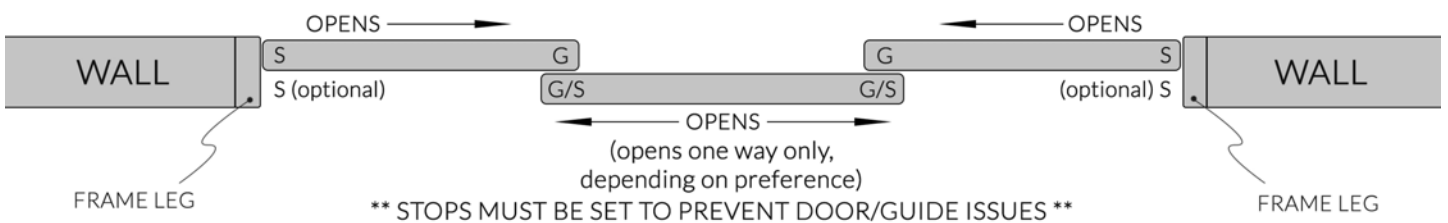
X: horizontal. Y: vertical. Z: lateral = all must be true
 W = must be perfectly symmetrical/square

SLIDING WARDROBE DOOR CONFIGURATIONS

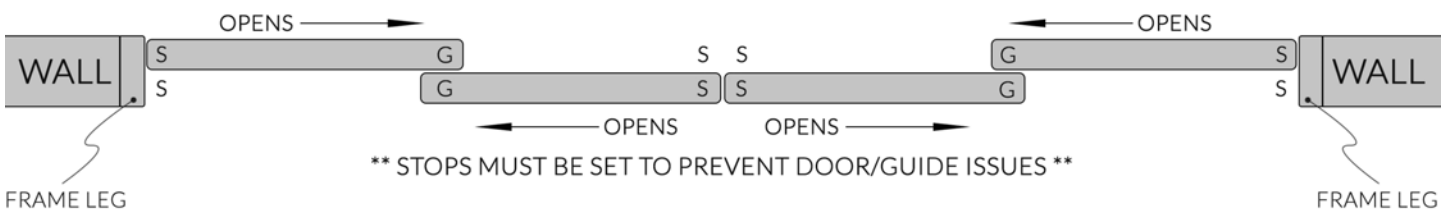
2 Door Set With 20mm Overlap Viewed From Above



3 Door Set With 20mm Overlap of Each Central Door Edge Viewed From Above

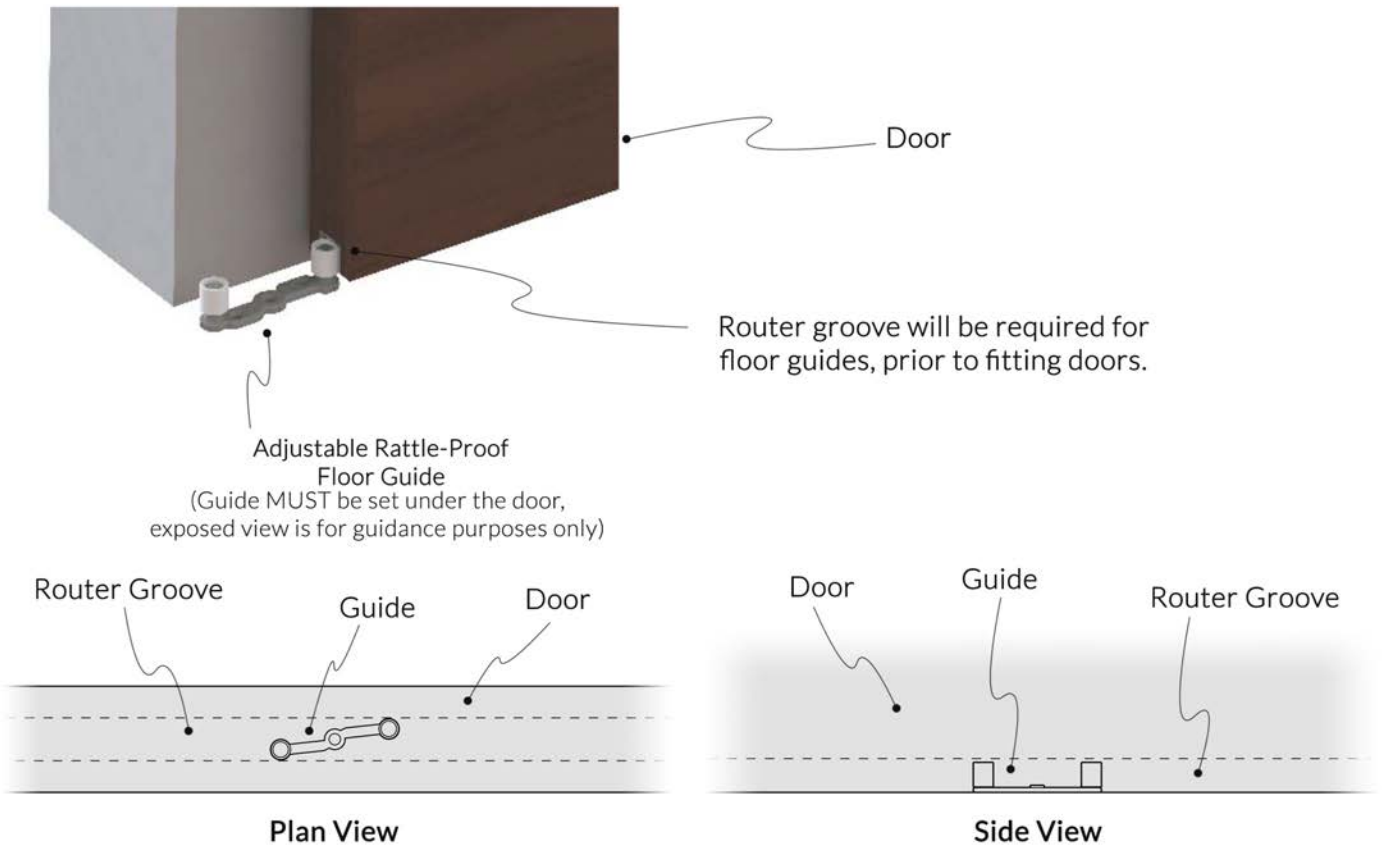


4 Door Set With 20mm Overlap of One (L/R) Edge of Each Central Door Edge Viewed From Above



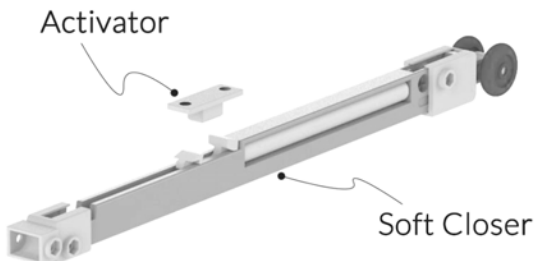
KEY: S = Track Stops
 G = Floor Guides

RATTLE-PROOF FLOOR GUIDE

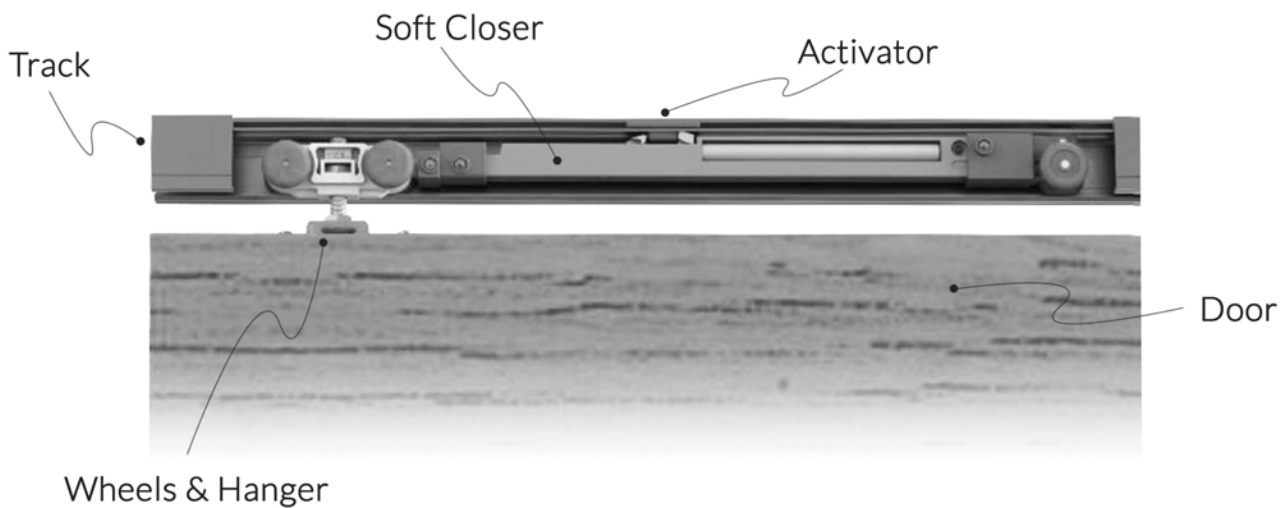


NOTE: Images are for indication purposes only - Product styles and dimensions may vary slightly.

THRUSLIDE WARDROBE - CONCEALED SOFT CLOSER KIT



The Soft-Closer kit is fitted within the sliding door assembly track, where it is concealed from view. The mechanism provides a soft and smooth closing operation to the door assembly.



THRUSLIDE WARDROBE FITTING INSTRUCTIONS

COMPONENTS



ANODISED ALUMINIUM TOP TRACK, 2 LENGTHS



TRACK STOP
(QUANTITY VARIABLE DEPENDANT ON CONFIGURATION)



WHEELS AND HANGERS
(QUANTITY VARIABLE DEPENDANT ON CONFIGURATION)



CONCEALED SOFT CLOSER 100kg (MAX)
1 PER DOOR



ALUMINIUM CHANNEL, 1 LENGTH
REQUIRES CUTTING TO SUIT EACH DOOR WIDTH.
(FOR FITTING INTO THE UNDERSIDE ROUTERED
GROOVE OF DOOR, **NOT TO THE FLOOR**)



ADJUSTABLE RATTLE PROOF GUIDE 13mm ROLLER
(QUANTITY VARIABLE DEPENDANT ON CONFIGURATION)

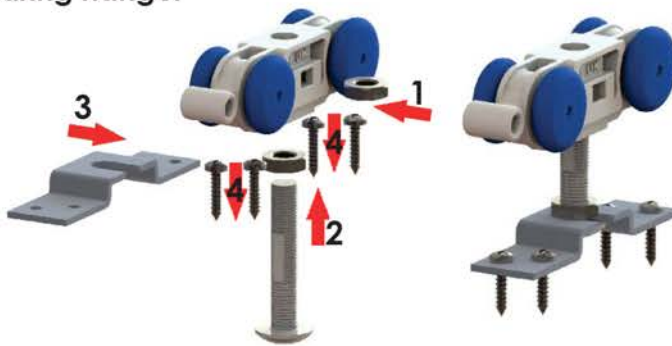
Step 1 Preparing track



Minimum track length must be 2 x door width (DW).

Place track on a flat surface and cut it to required length.

Step 2 Preparing hanger



Slide wheel into track before fixing track between frame legs.

Hanger for timber doors (pair)

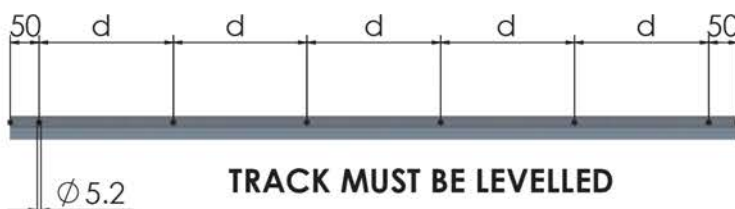
Step 3

Fixing track

Soffit fixing

Pre-drill $\phi 5.2$ holes for easier installation

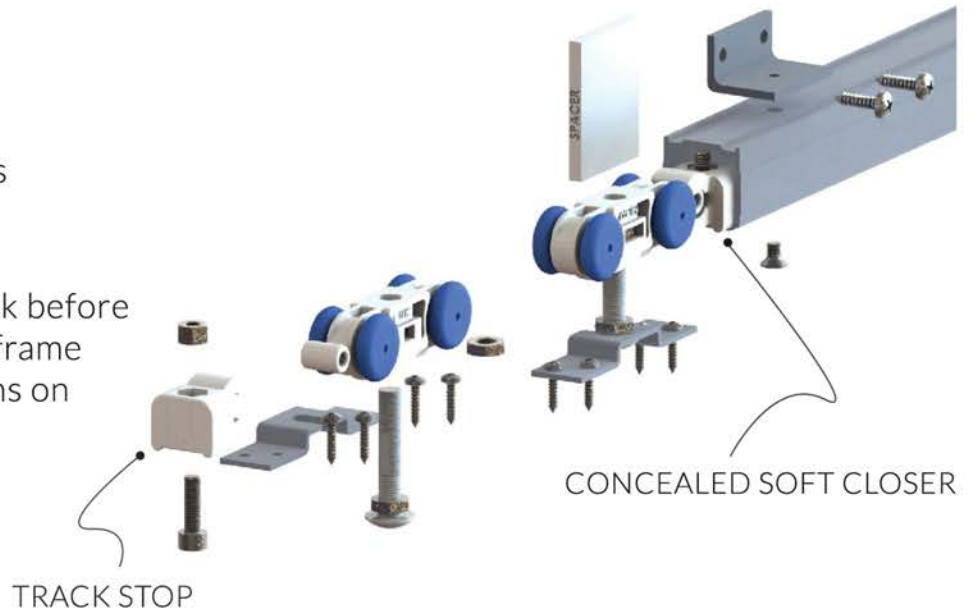
Dimension 'd' must be between 275 and 300



Step 4 Components layout

*Refer to the fitting instructions for the **Soft Closer**.

Slide the **Soft Closer into track before fixing track to lintol between frame legs - see separate instructions on next pages.



Step 5 Preparing the door



Step 6 Door installation



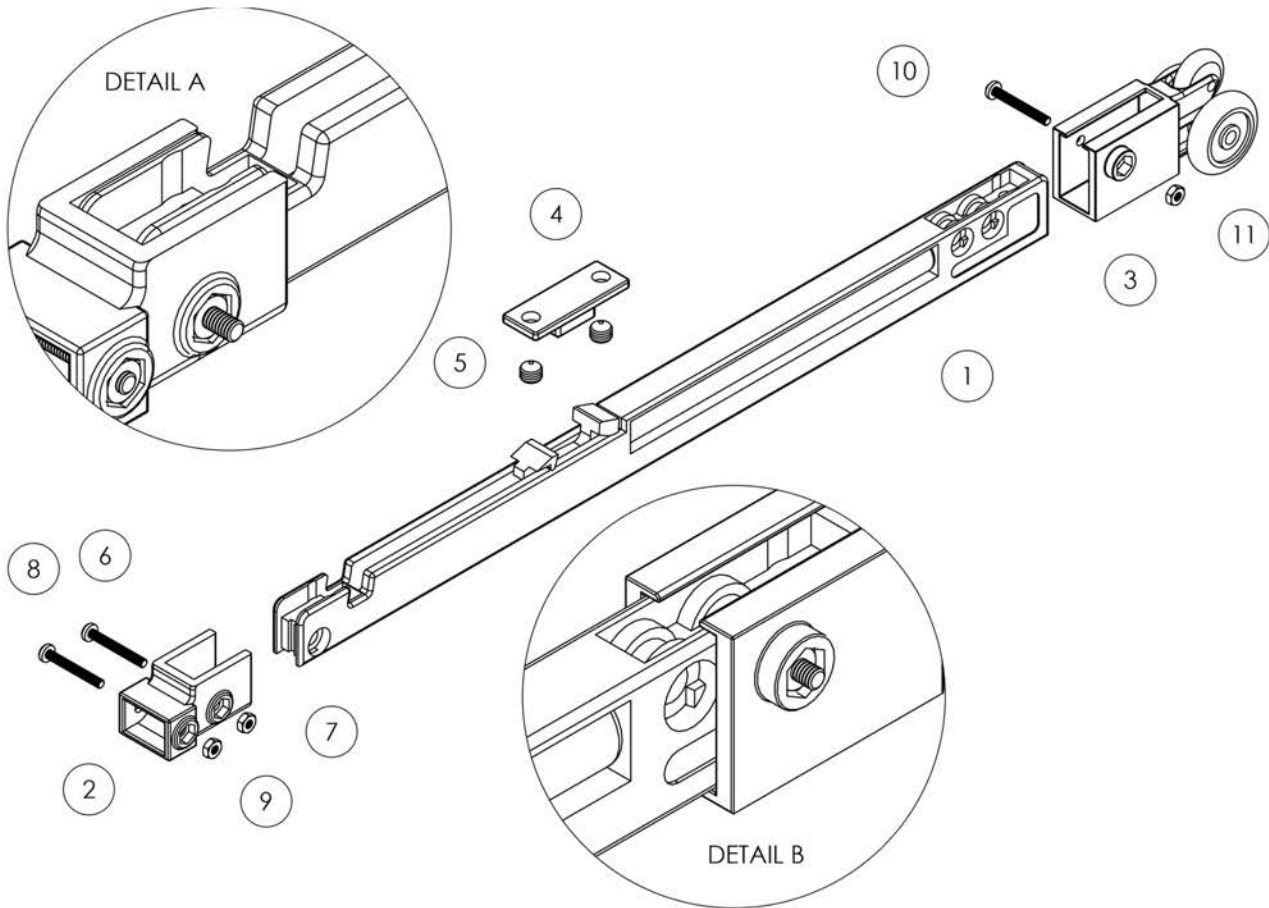
Insert the door panel and adjust it vertically.

Ensure that the door panel is square, level and plumb

Step 7 Bottom guide installation

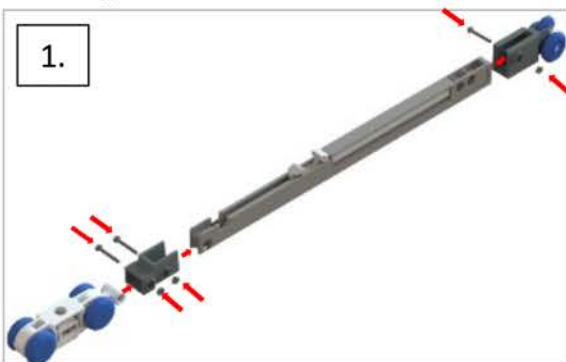


CONCEALED SOFT CLOSER FITTING INSTRUCTIONS



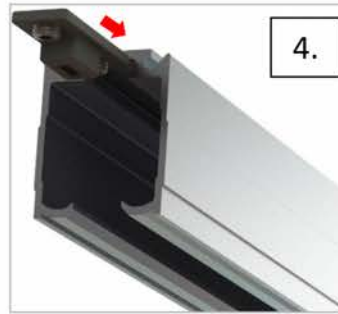
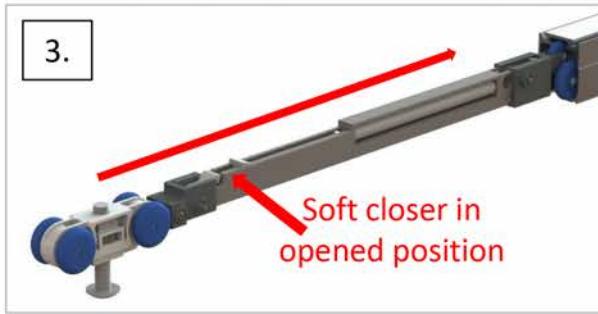
30637 – CONCEALED SOFT CLOSER KIT

Step 1 Attach soft closer to hanger



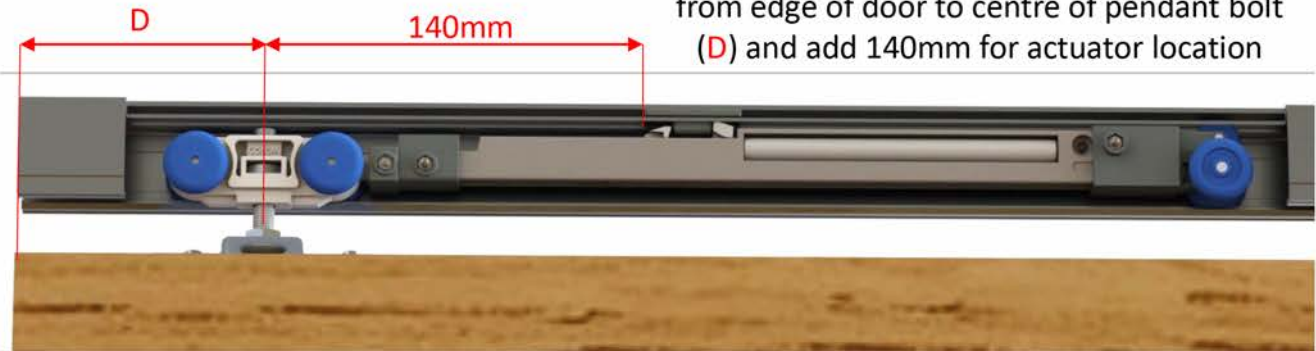
Attach 3-wheeler to the back of the soft closer. Attach adaptor to other side of soft closer, afterwards attach hanger to adaptor (1.).

Step 2 Insert actuator and soft closer



Make sure soft closer trigger is in open position, then insert soft closer inside track (3.) and then insert actuator in the track(4). Attach door onto hangers. Measure distance

from edge of door to centre of pendant bolt (D) and add 140mm for actuator location



Step 3 (OPTIONAL) Soft opening

Repeat steps 1 and 2 for soft opening

