

Instruction Manual for Soft Close/Soft Open Tubular Track

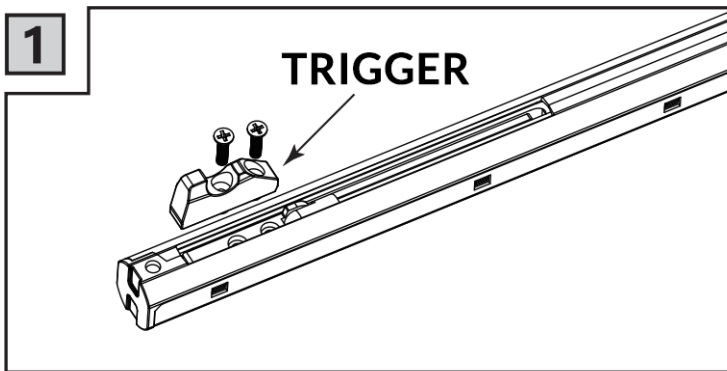


Notes:

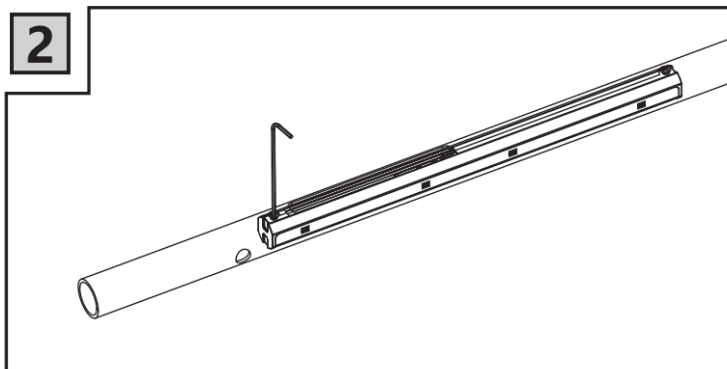
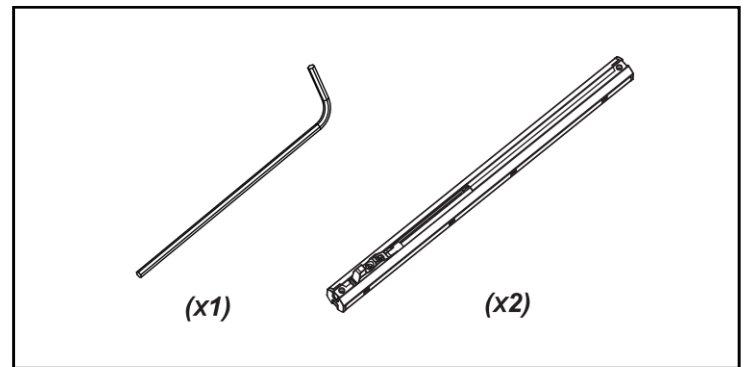
For wooden doors it is possible with the top mounted and face mounted hangers to move the wheels in or out (from the left or the right) to make sure the actuator triggers perfectly for open or close positions – not all door widths relative to the opening sizes will allow perfect working of the soft close/soft openers.

For frameless (full pane) glass doors with face mounted hangers – not all door widths relative to the opening sizes will allow perfect working of the soft close/soft openers. The hangers and the soft close/soft open positions are fixed regardless of the door dimension.

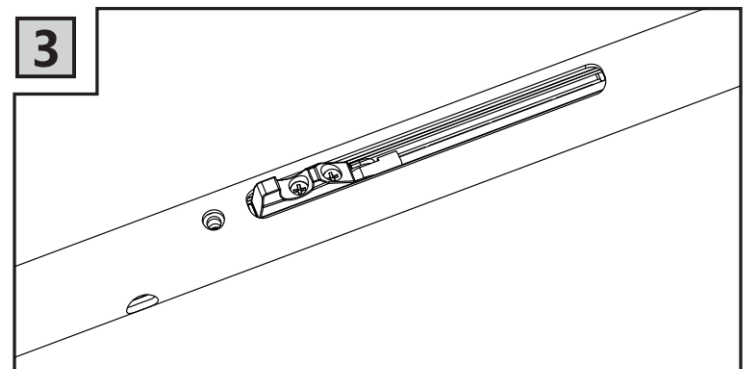
Component List:



Take off the trigger from soft closer/soft opener.

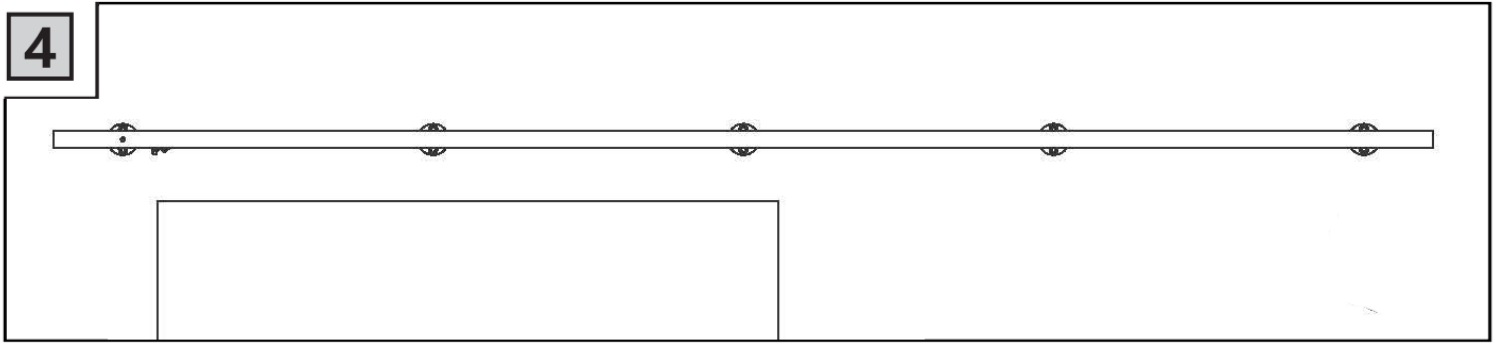


Take off the end cap from the track and one wall fixing bracket, put the soft close/soft opener inside and fix it with screws supplied (see installation video).

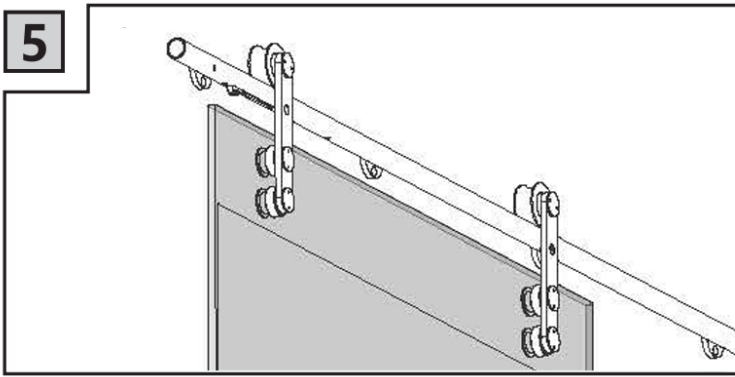


Set and fix the trigger with the screws supplied, re-fix the wall fixing bracket and track end cap.

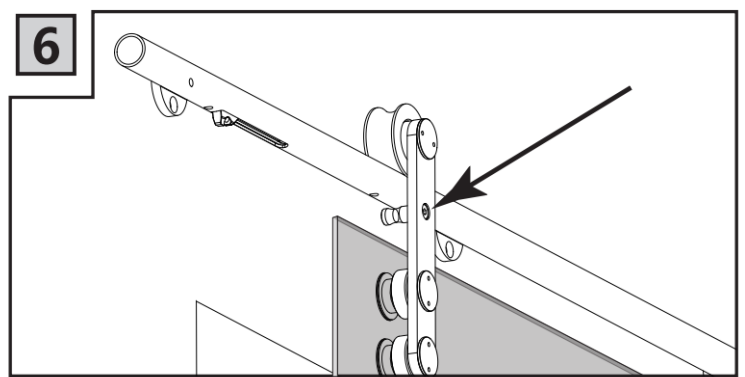
Make sure the both soft closer/soft opener are the mirror image when put inside each end of the track.



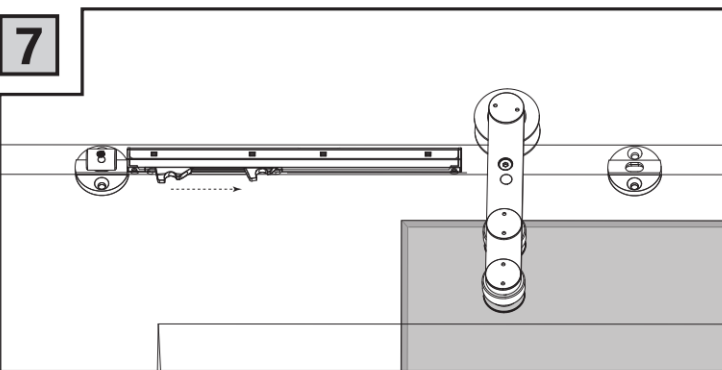
4
Set up and fix the track to the wall or any strong frame (see track assembly instruction in the track box), track must be properly levelled.



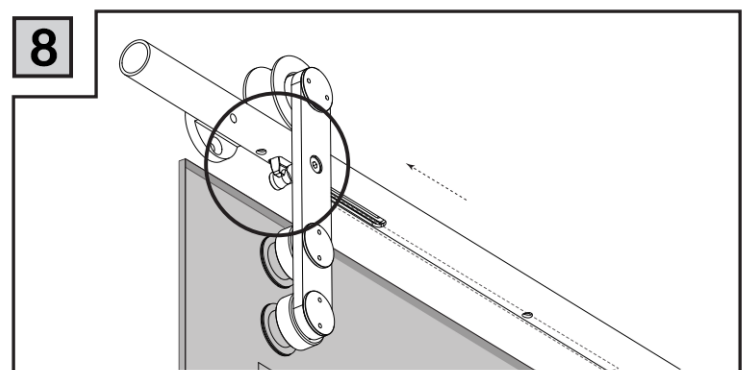
5
Attach the face fix track hangers to the door and then hang the rollers to the track.



6
Install the actuator to the hanging bracket.



7
Push the trigger to the actuator



8
Push the door to the soft close/soft open to make it triggered by the actuator.