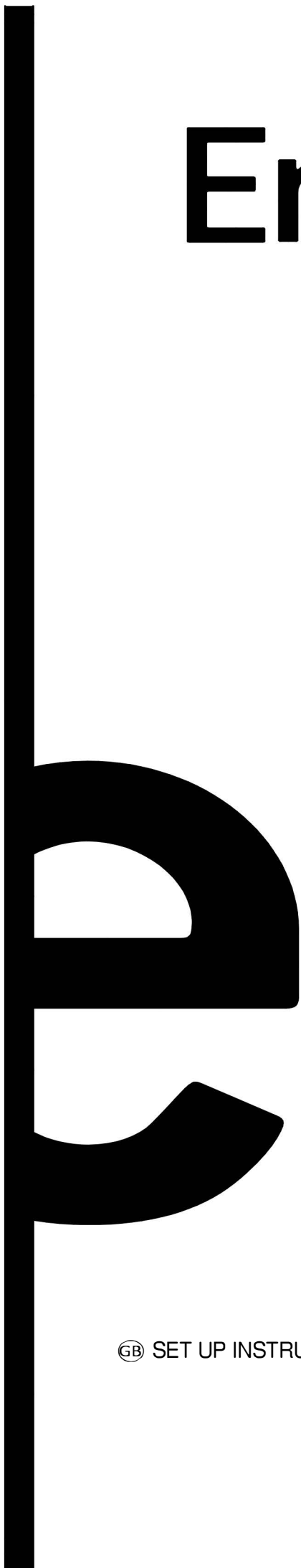
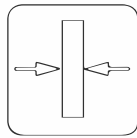


Ermetika®



©GB SET UP INSTRUCTIONS SLIDING KIT FOR SLIDING DOOR

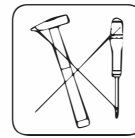
technical features



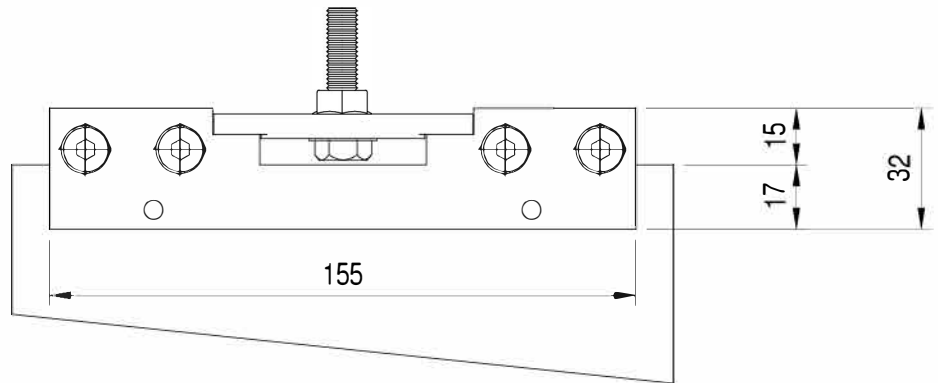
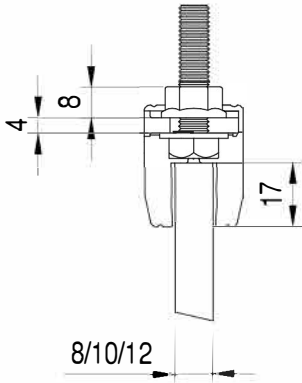
8 - 12 mm



250 KG
without top patches

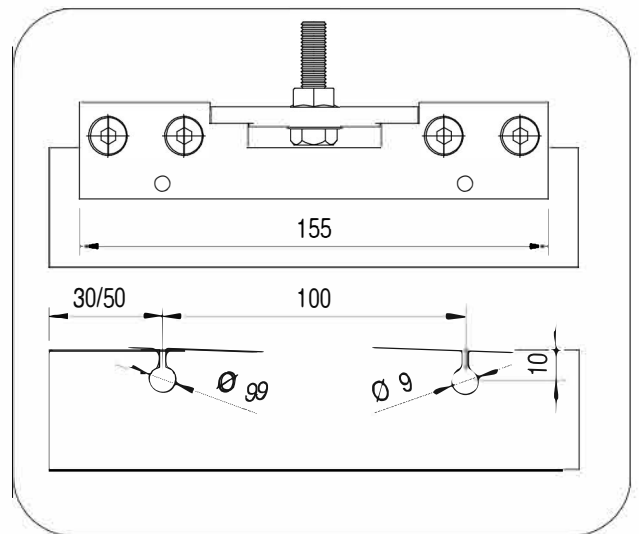
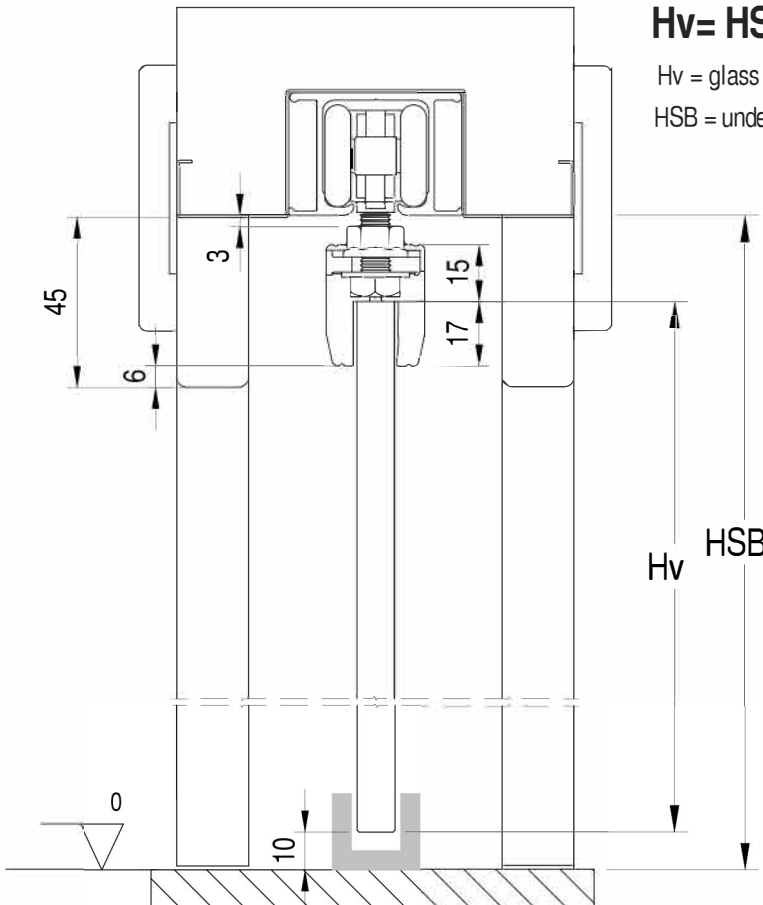


EASY

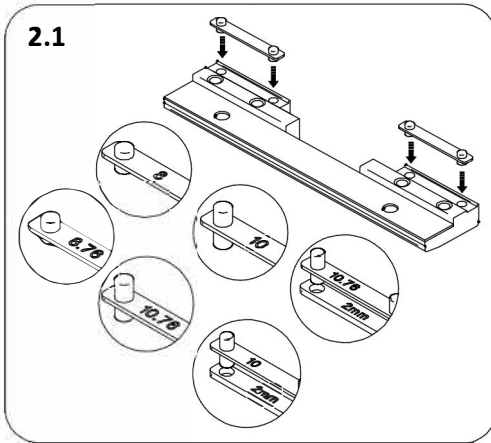
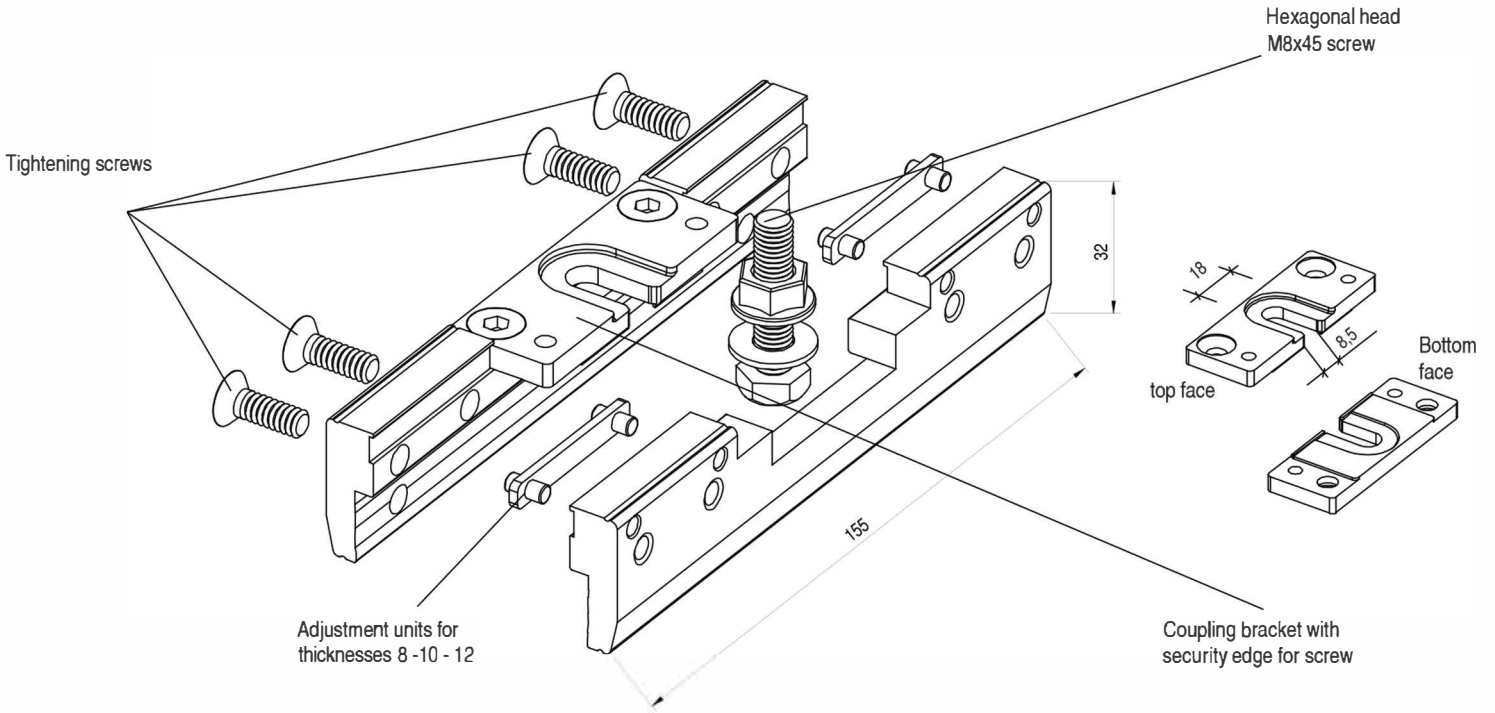


Hv = HSB - 33 mm

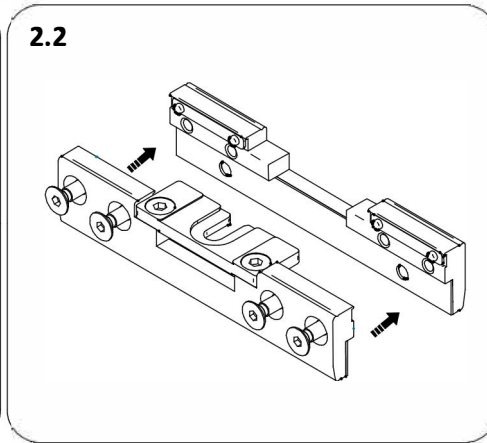
Hv = glass height
HSB = under rail height



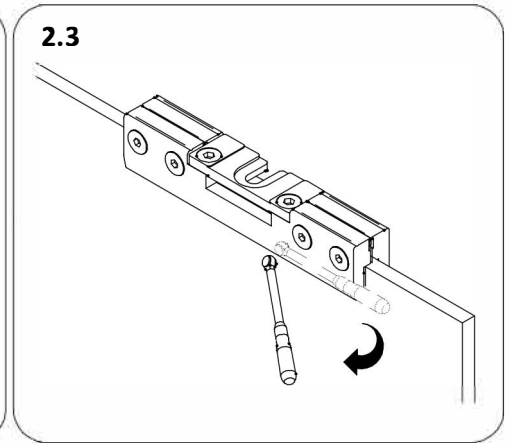
- Optional -



spacers for glass doors



clamp assembling



clamp setting up on panel