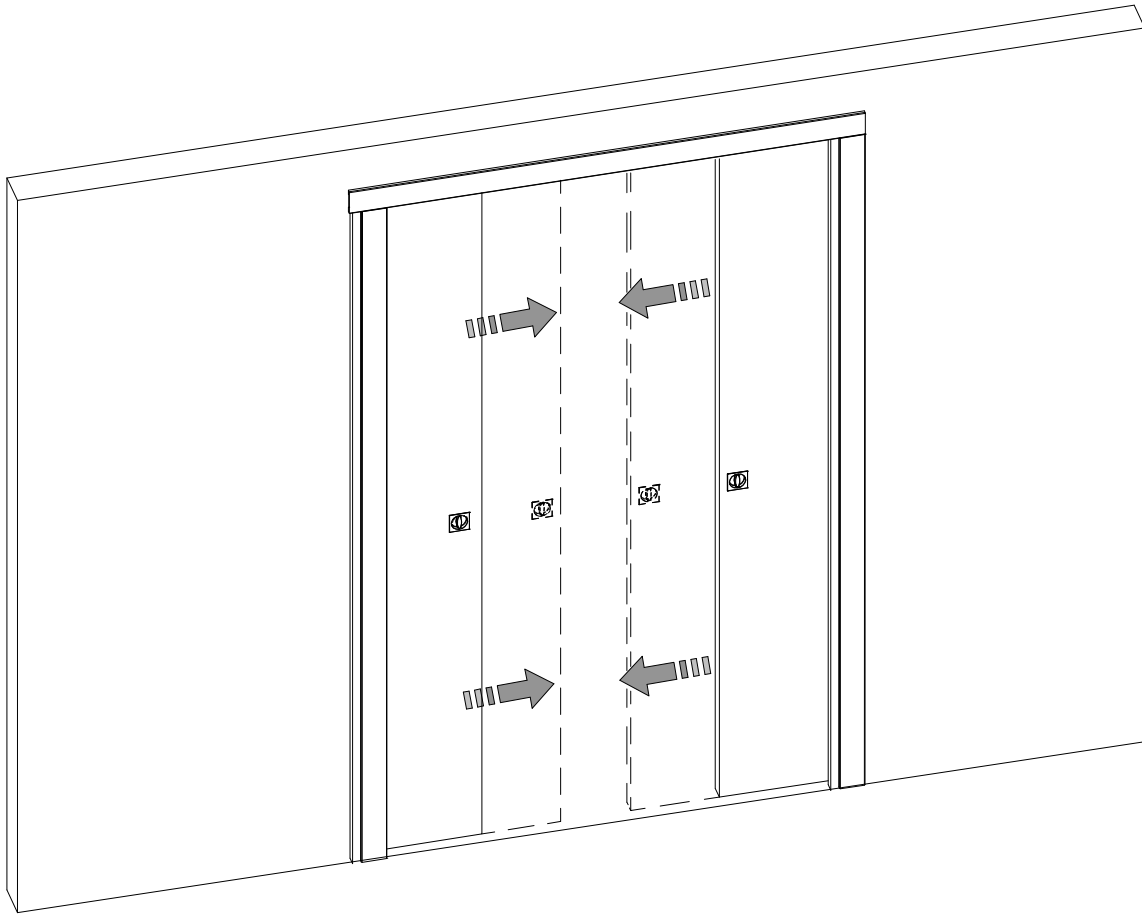


Ermetika[®]
INSIDE WALLS



SIMULTANEOUS OPENER WITH SOFT CLOSER

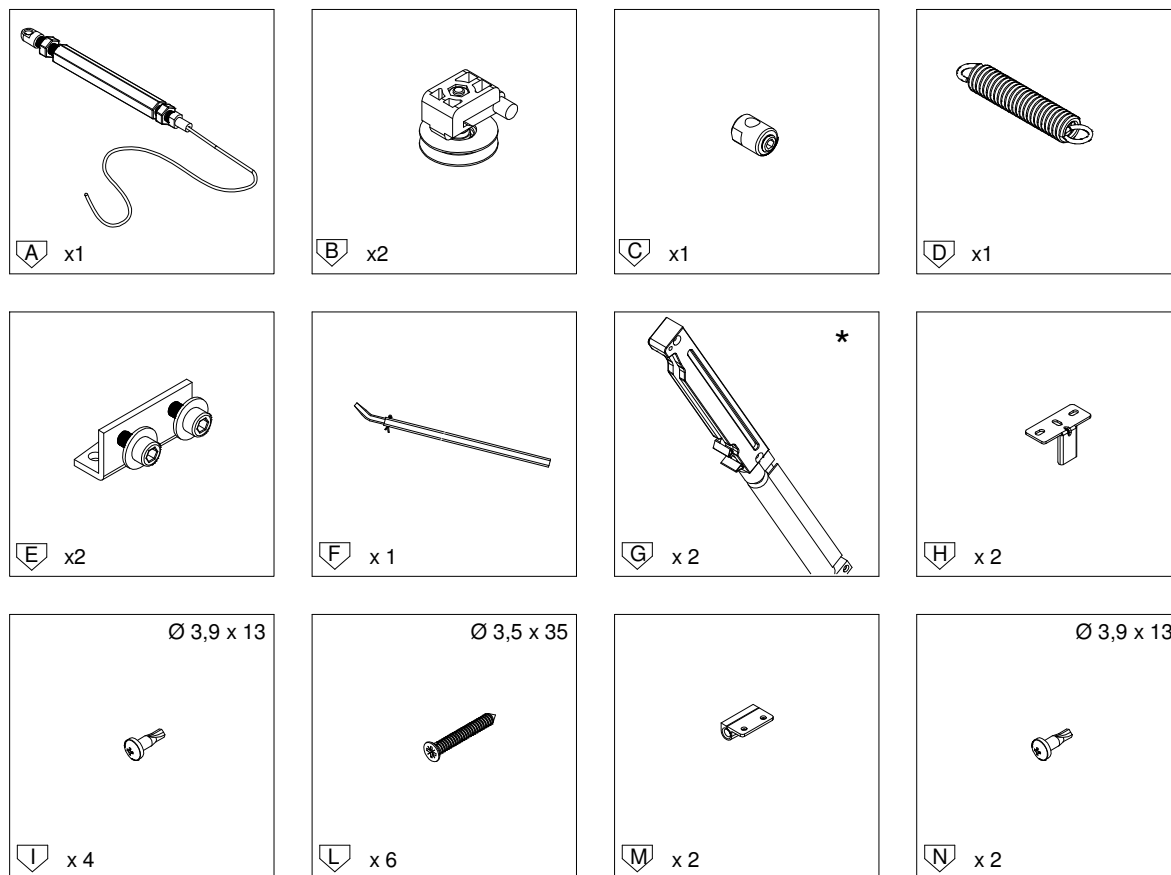


SETUP INSTRUCTION

CONTENTS

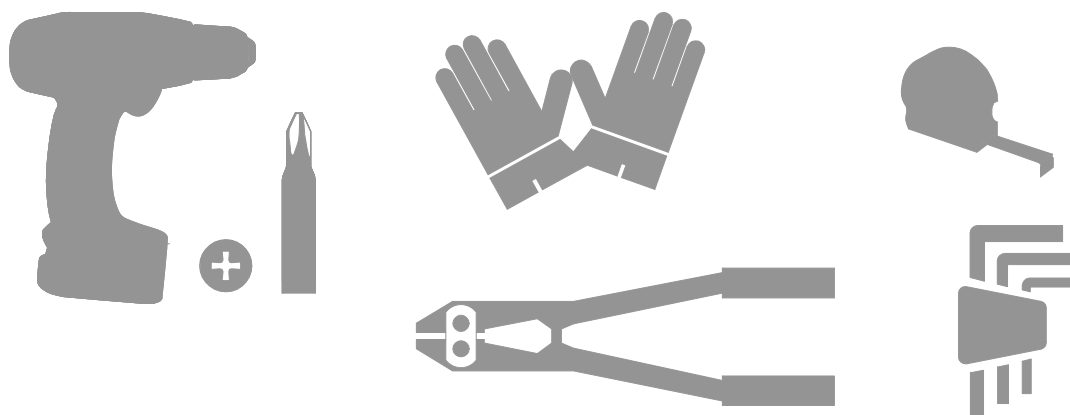


Standard equipment

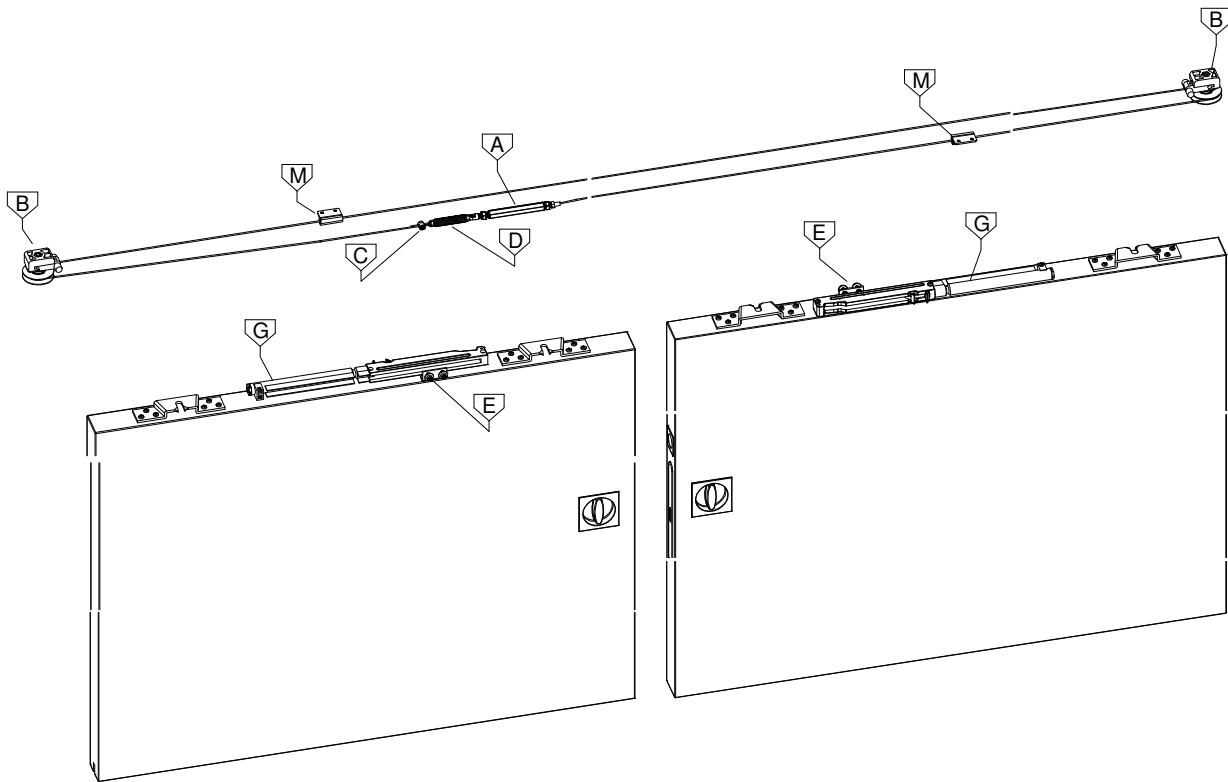


*80 kg capacity

Tools



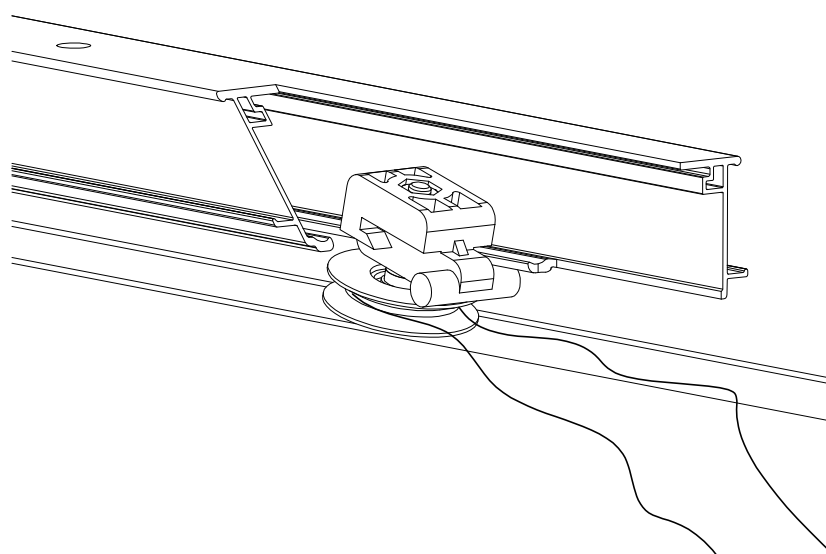
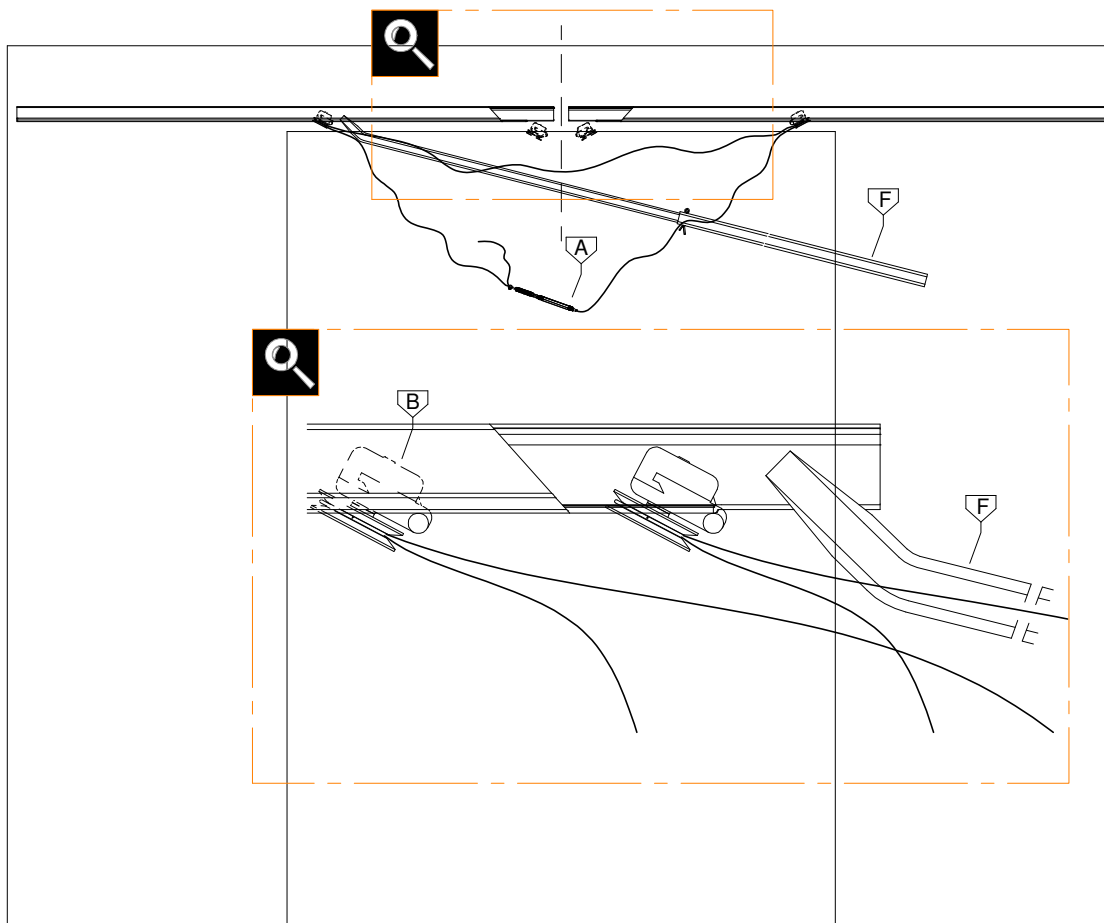
Overall view



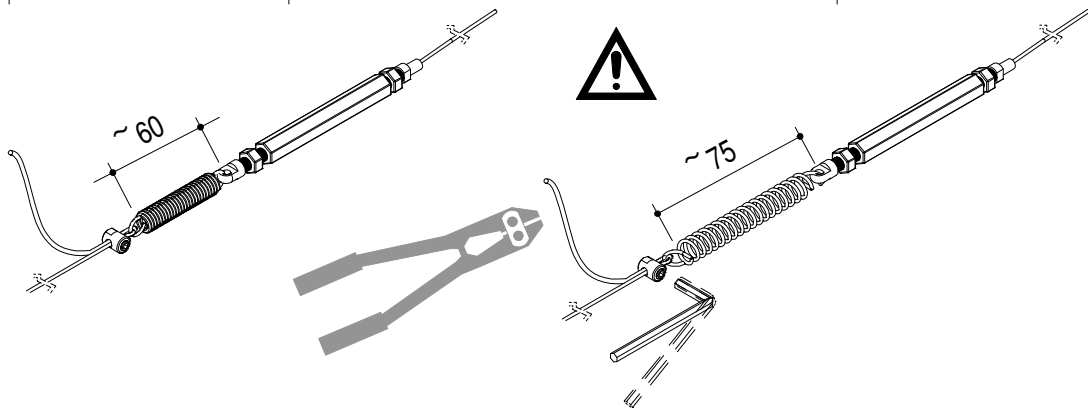
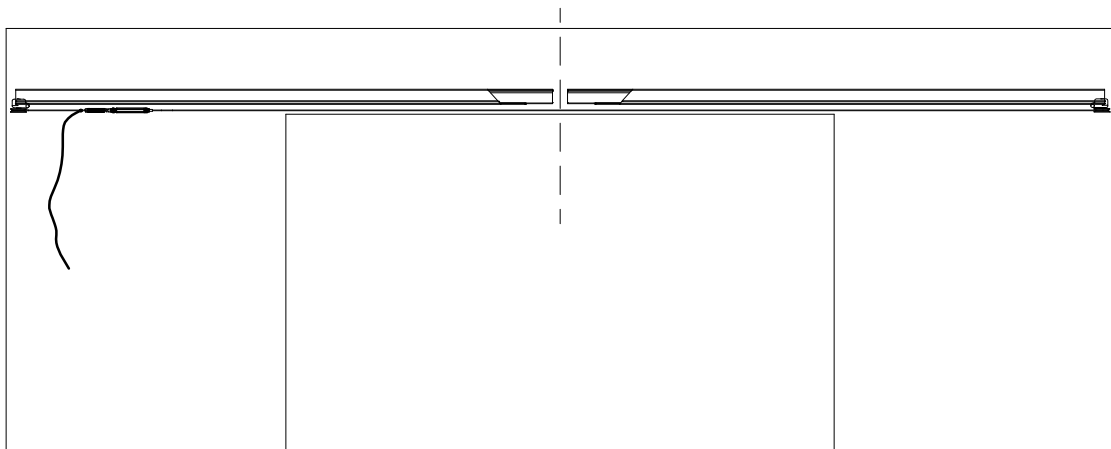
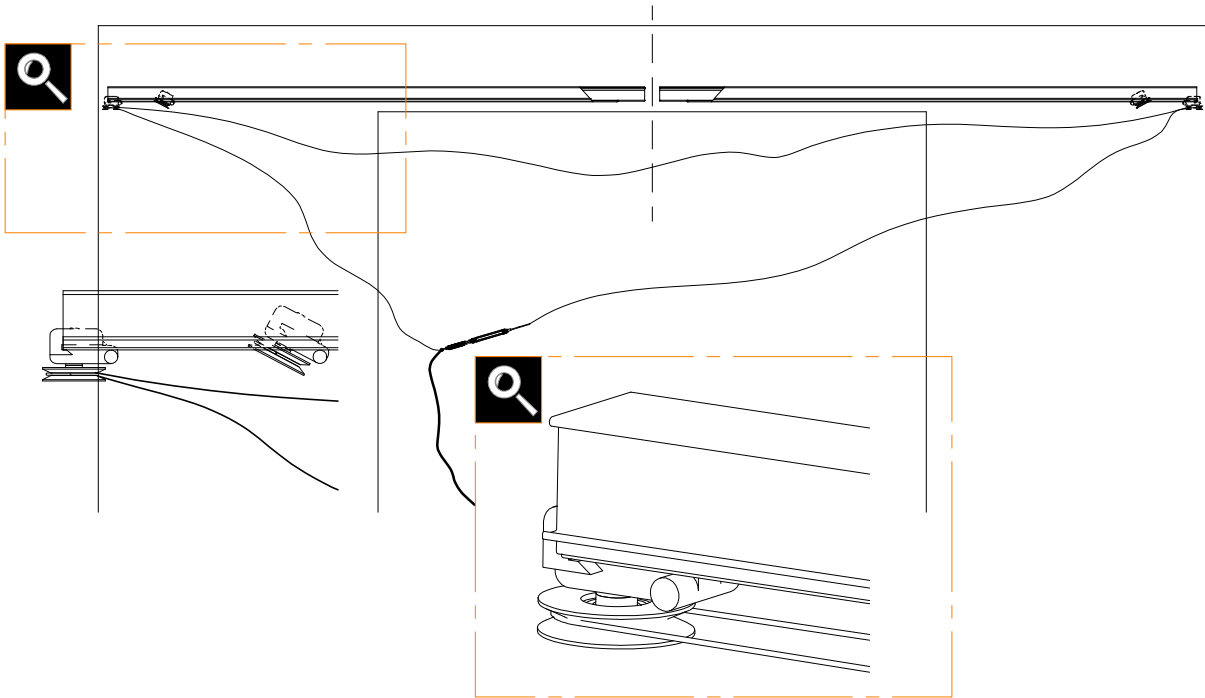
INDEX

| | |
|--|------|
| Cable installation | 3-4 |
| Setup easystop | 5-6 |
| Setup door leaf | 7 |
| Activator and cable support installation | 8-10 |

1.1

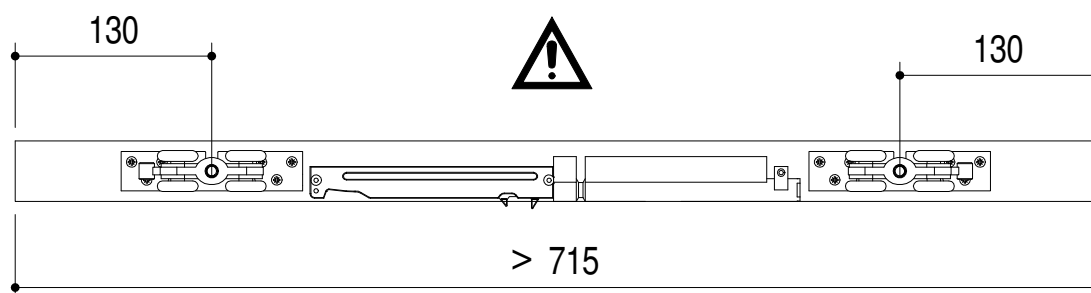
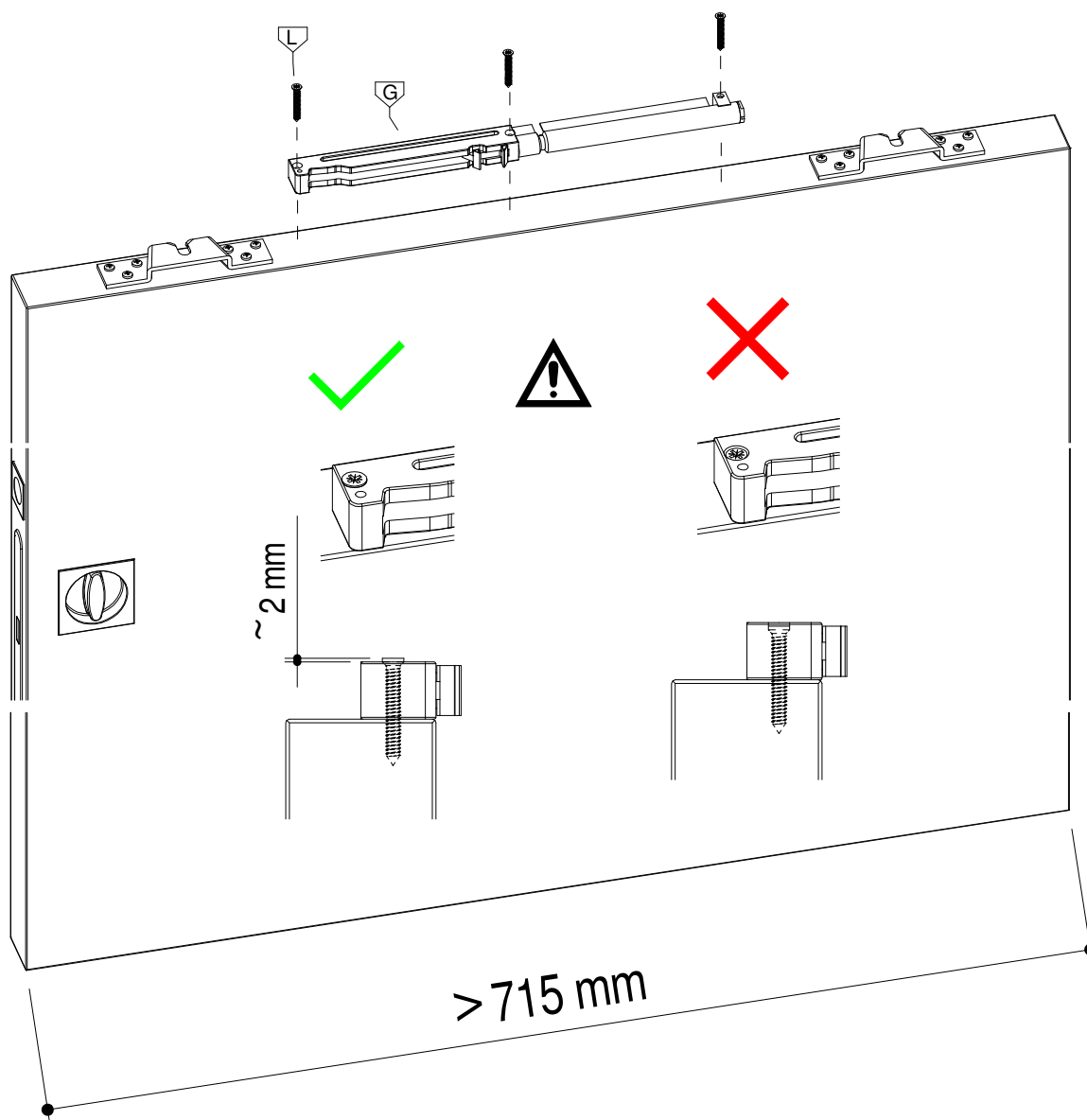


1.2

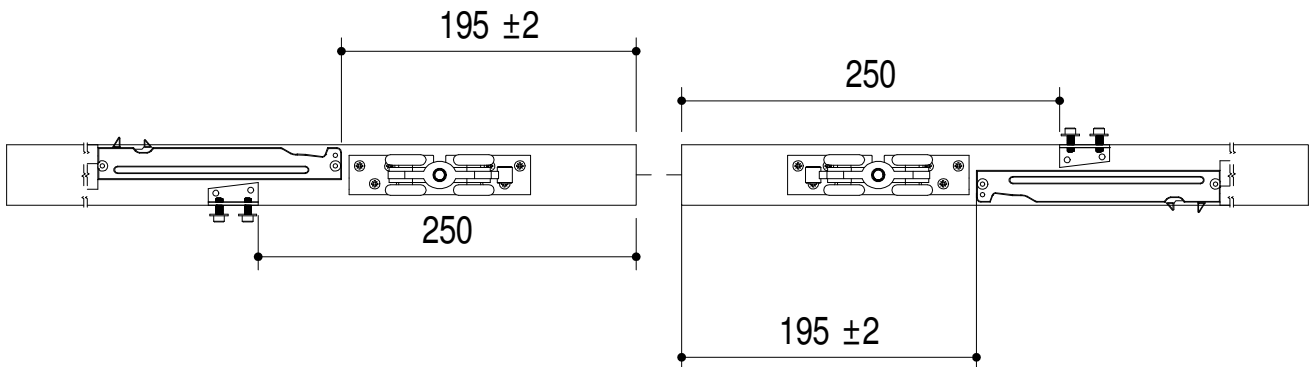
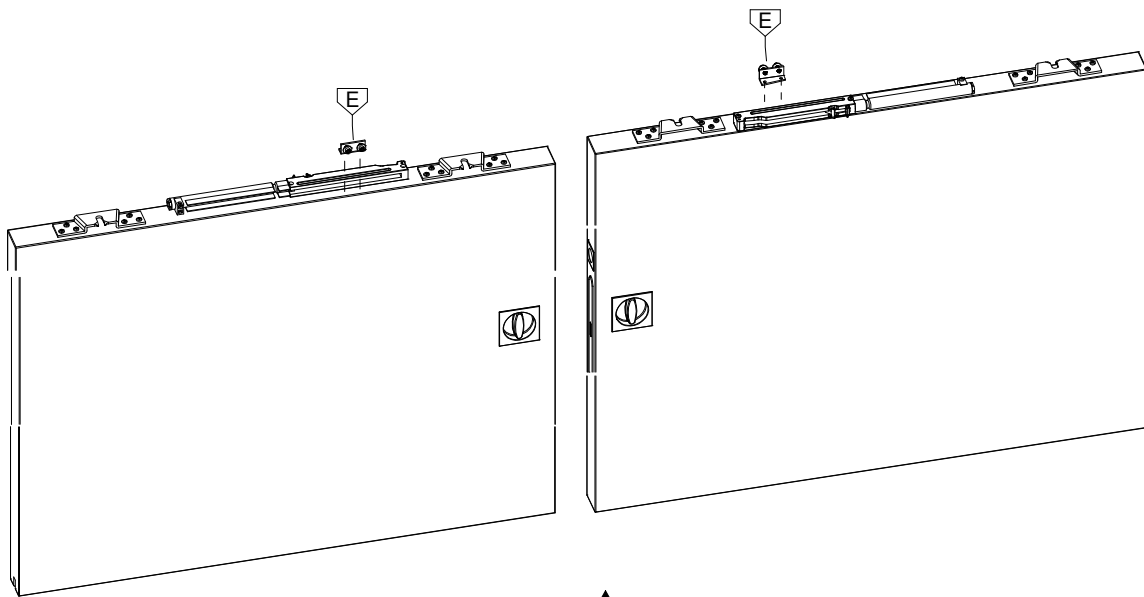
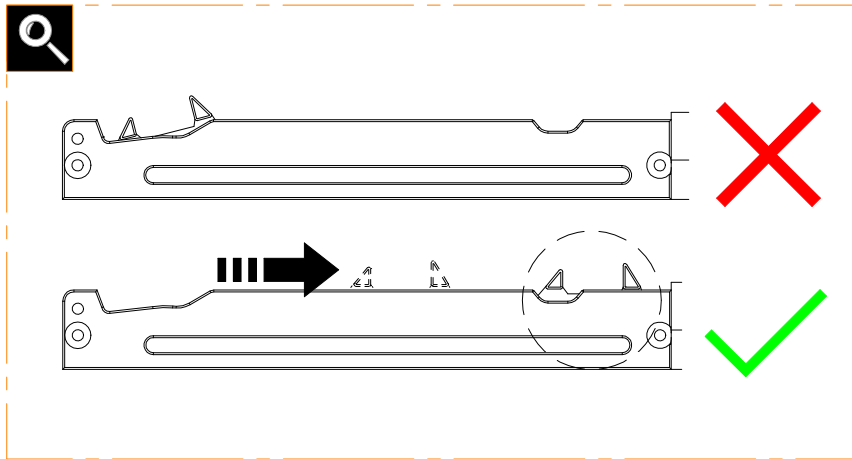


Subject to misprints, errors and technical modifications.
All dimensions are in mm

2.1

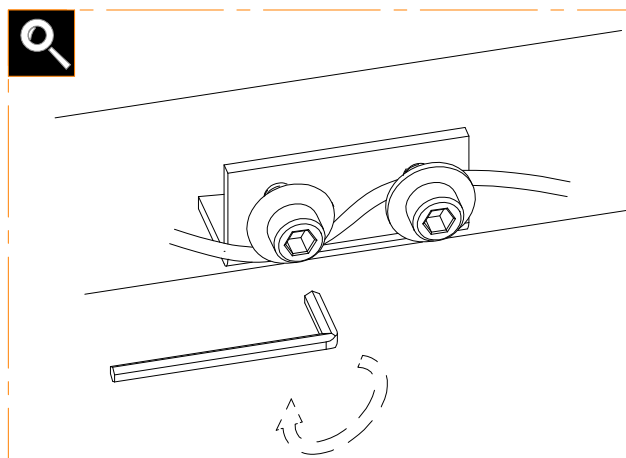
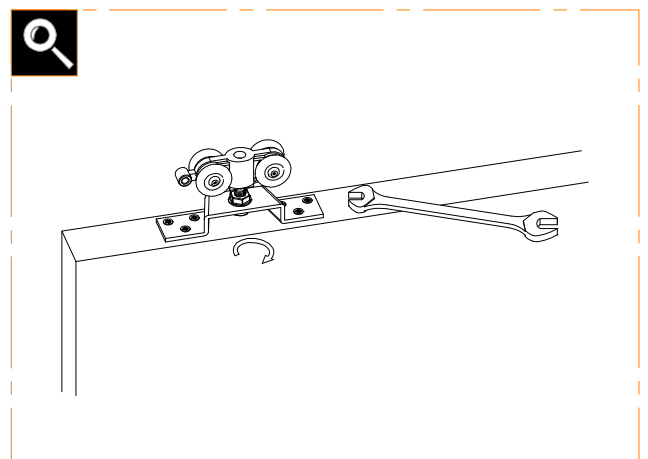
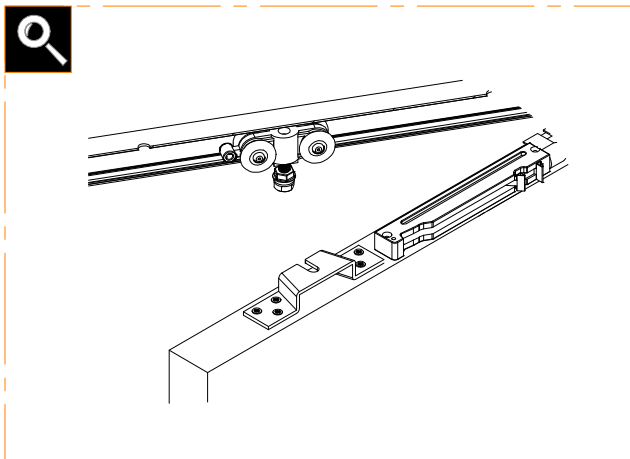
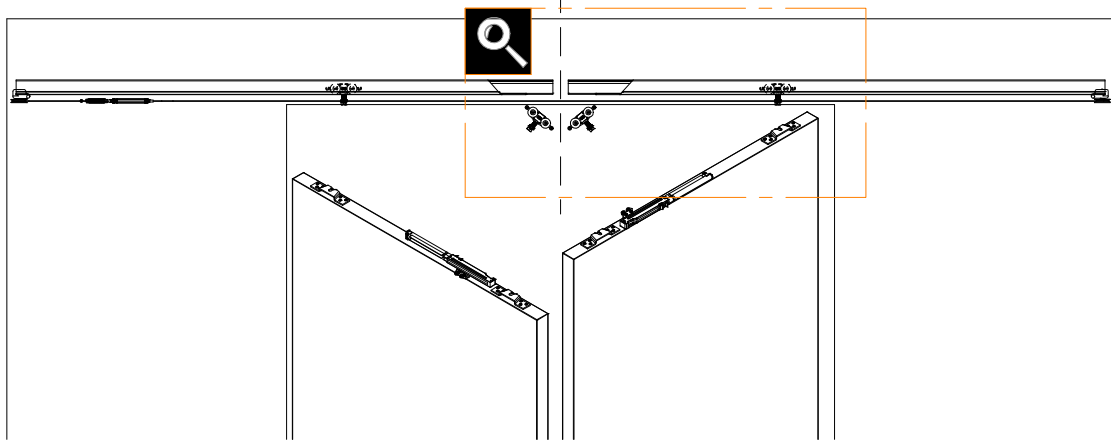


2.2

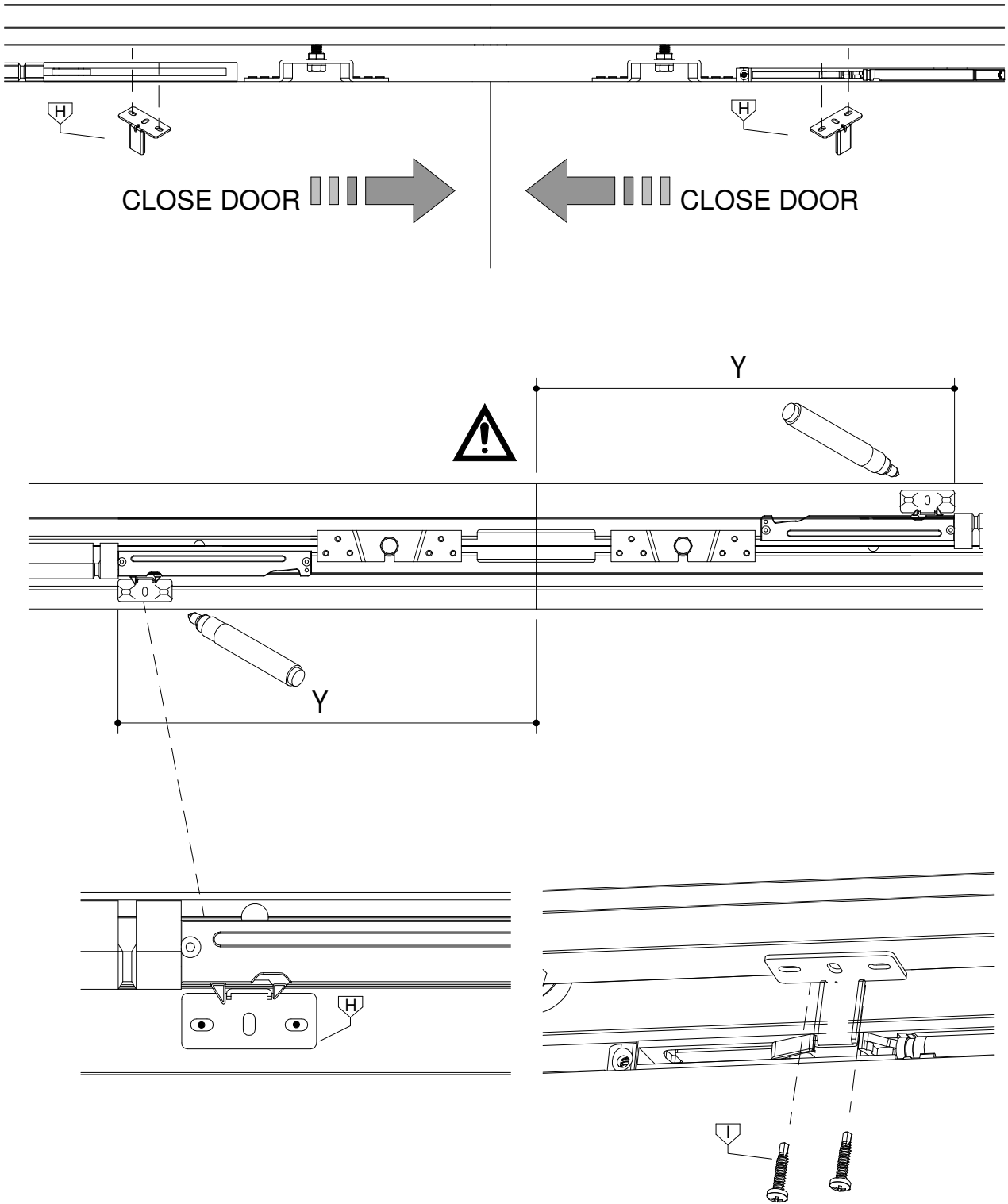


Subject to misprints, errors and technical modifications.
All dimensions are in mm

3.1

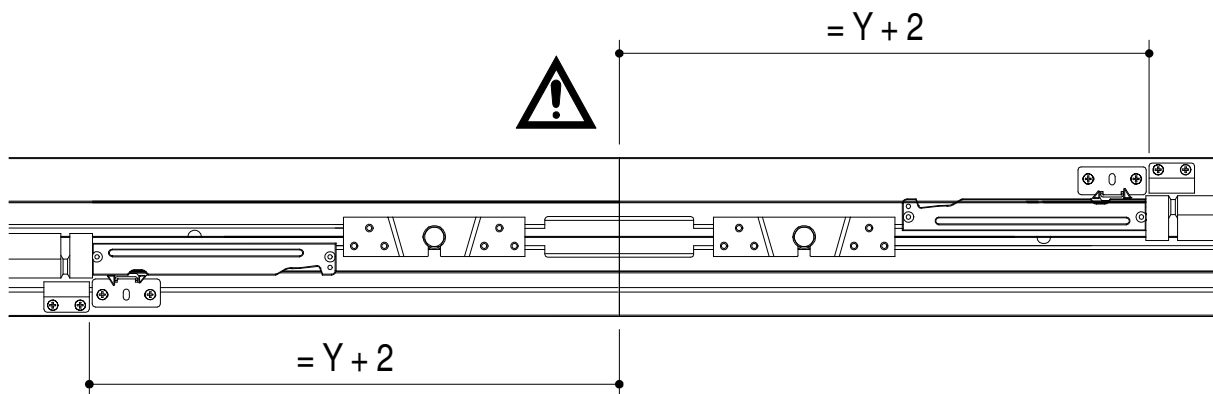
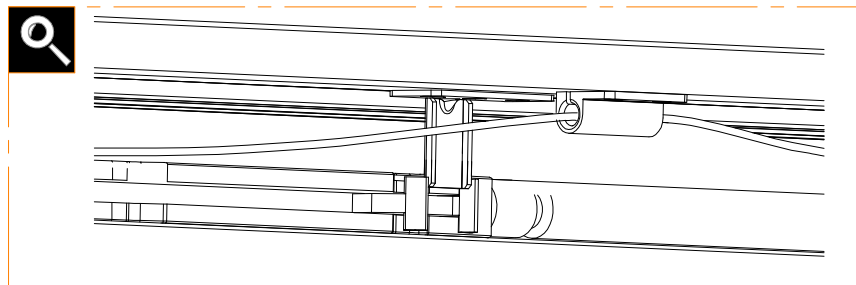
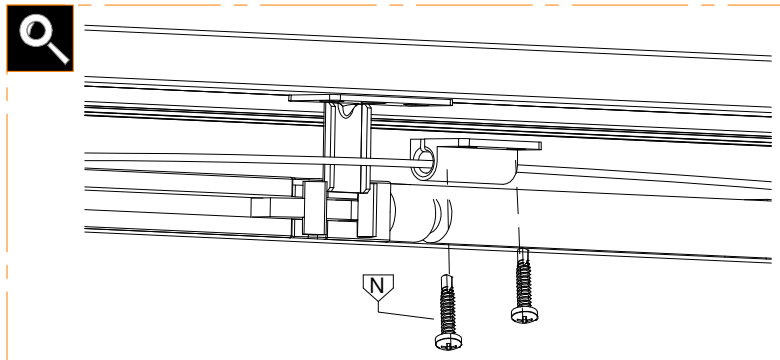
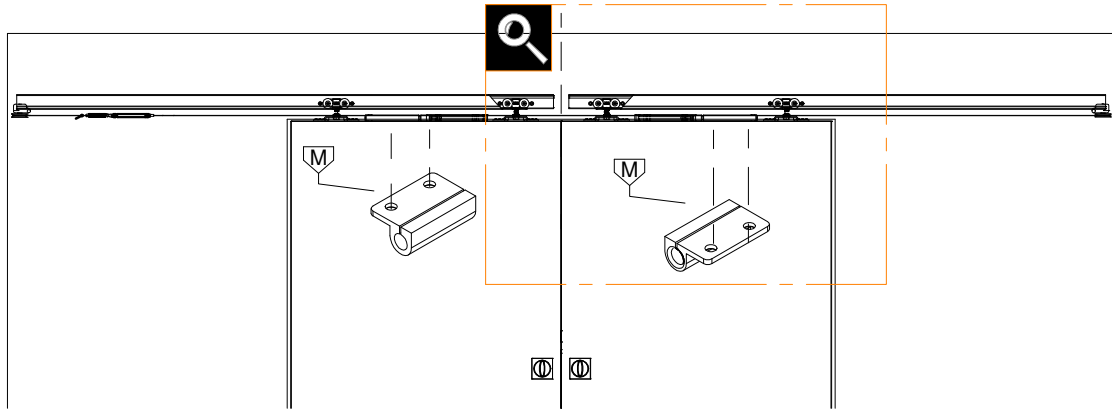


4.1

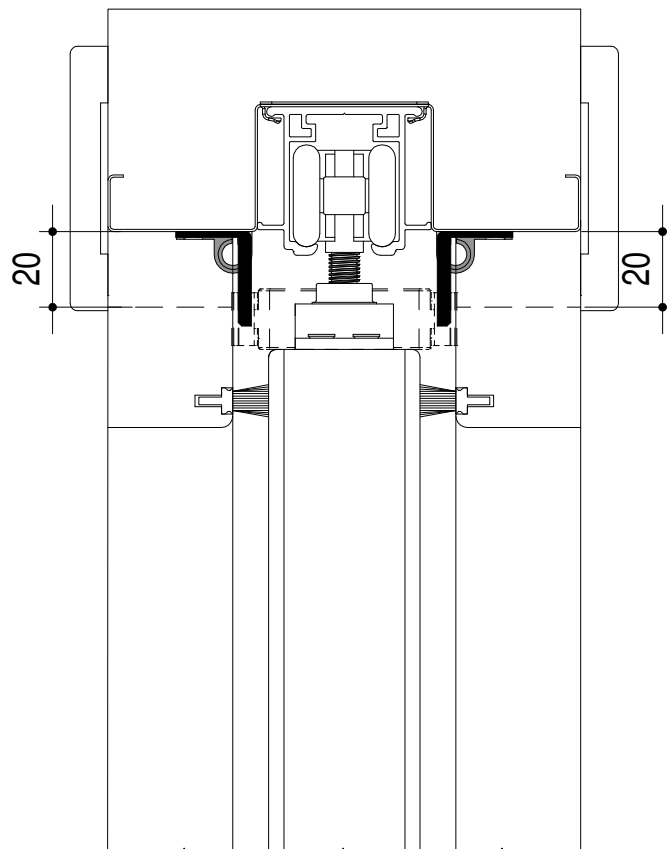
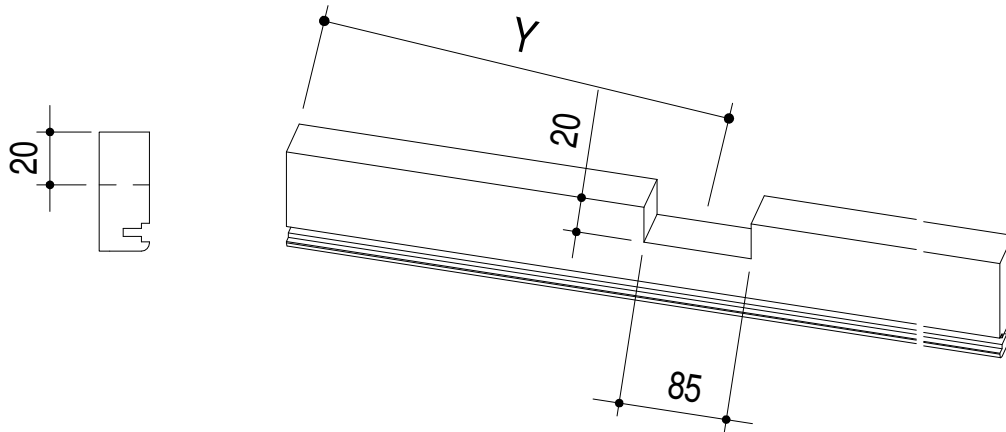


Subject to misprints, errors and technical modifications.
All dimensions are in mm

4.2



4.3





T. +39 (0)883535781



info@ermetika.it



www.ermetika.it



www.youtube/ermetika.it

