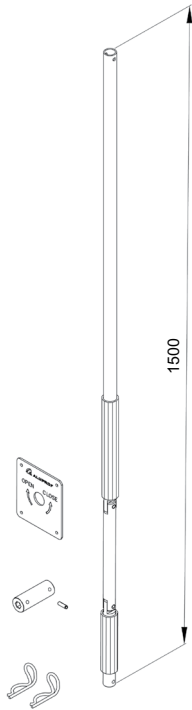


ZANR

NEW



Emergency manual override set

Packing: 1 set

ZANR • used with joint:: PKC 45, PKC 90

The set contains [pcs]	
Handle	1
Covering plate	1
Fastening shaft 50 mm	1
Spring-type straight pins 4 x 16 mm	1
Joint	2

TT 22


NEW



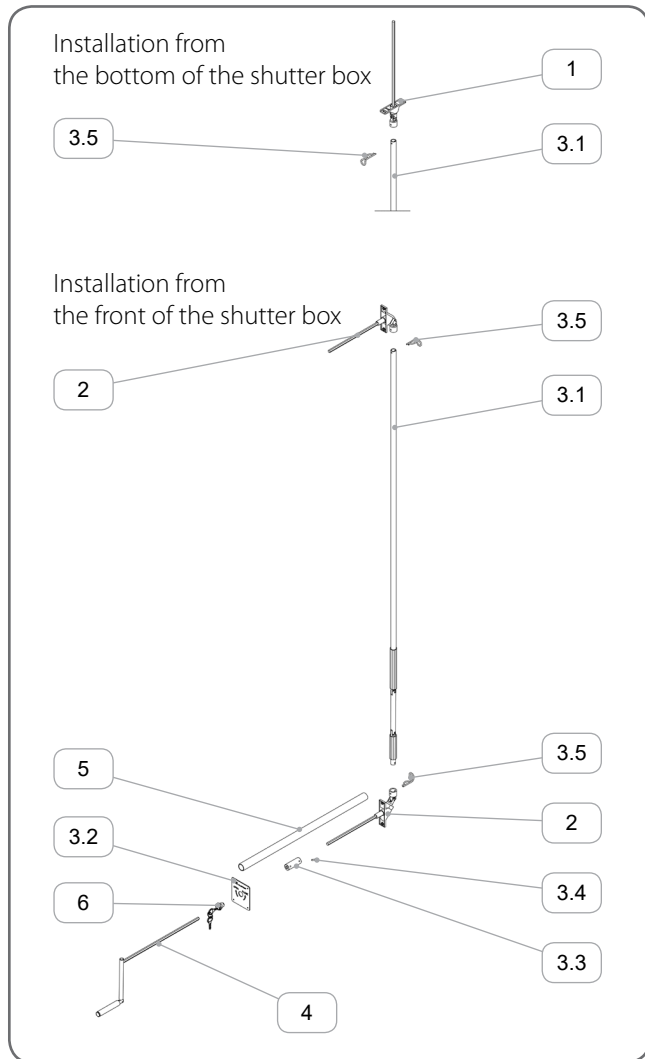
Plastic sleeve RL22

Packing: pcs

TT22 • used with: ZANR

	L	
TT22	3000	1

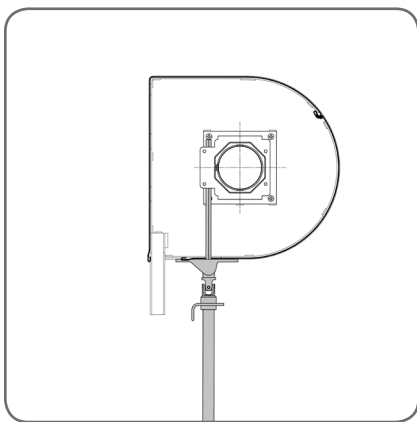
Components:



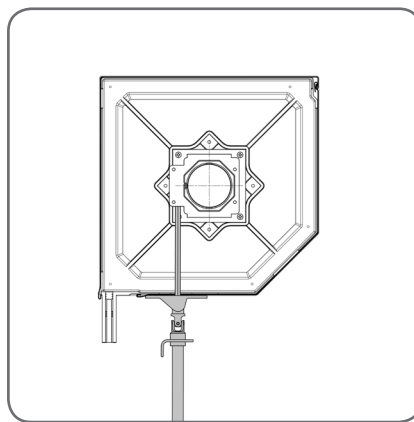
	Name of the component	Catalogue code
1.	Cardan joint 45°	PKC 45
2.	Cardan joint 90°	PKC 90
3.	Emergency manual override set	ZANR
3.1.	Handle	
3.2.	Covering plate	
3.3.	Connector 50 mm	
3.4.	Spring-type pin 4 x 16 mm	
3.5.	Joint	
4.	Handle	KR
5.	Plastic sleeve RL22	TT 22
6.	Lock for MO	ZM ANR

Installation options:

Installation from the bottom of the shutter box

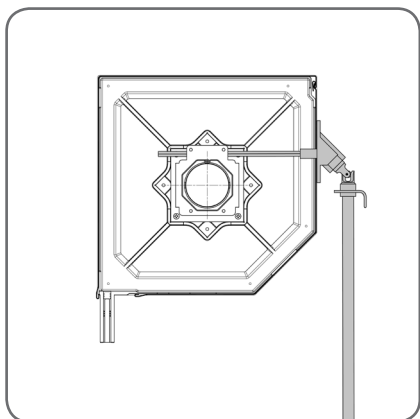


SKO-P/230
SKO-P/250
SKO-P/300

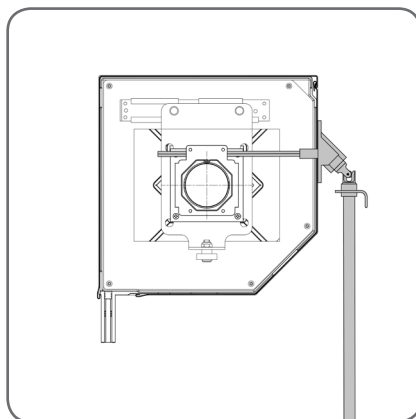


SK/250
SK/300

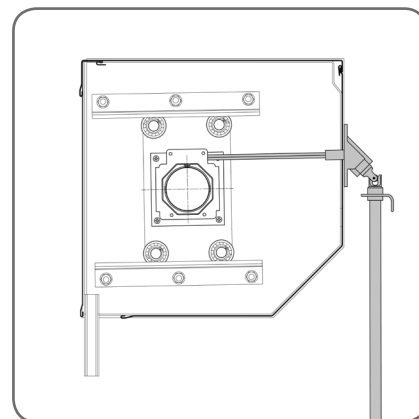
Installation from the front of the shutter box



SK/250
SK/300



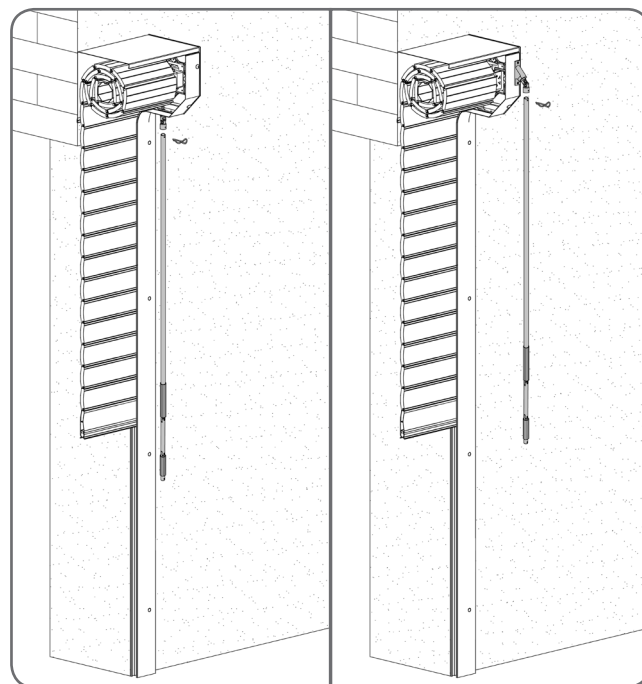
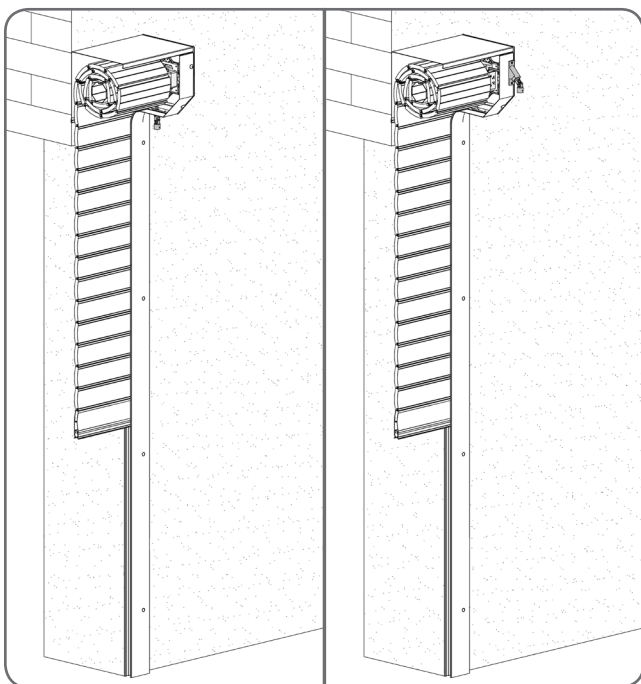
SK/250 + KBS 45
SK/300 + KBS 45




SK/350

Mounting method:

Depending on the mounting option (from the bottom or from the front) fix the Cardan joint in the shutter box and then using a pin connect it with the handle from the set **ZANR**.

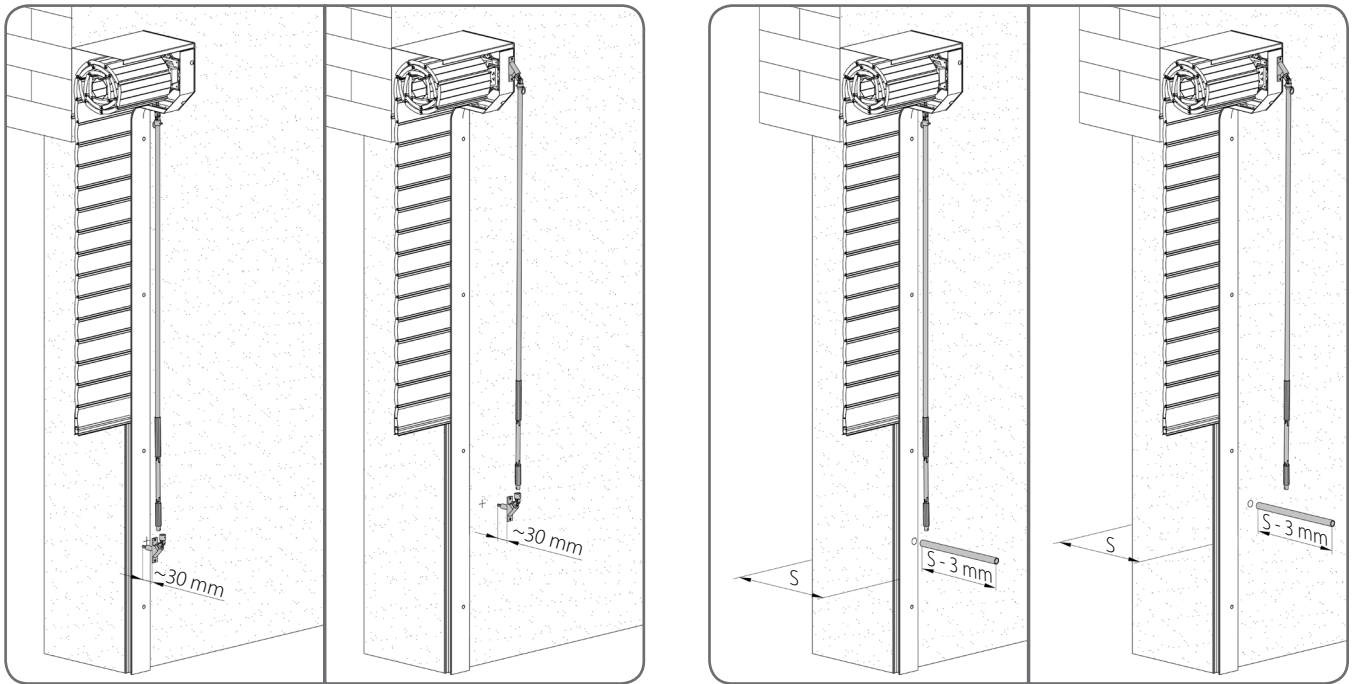


To determine the location of the through-hole in the wall it is recommended to use a device such as the Cardan joint **PKC 90** with a bevelled axle up to about 30 mm. Connect the Cardan joint with the handle and determine the location of the hole. Regardless of the method of installation of the set, from the bottom or from the front of the shutter box, the Cardan joint **PKC 90** can be mounted on the guide channel or on the wall.

 While determining the location of the hole, the arm of the handle must be straight.

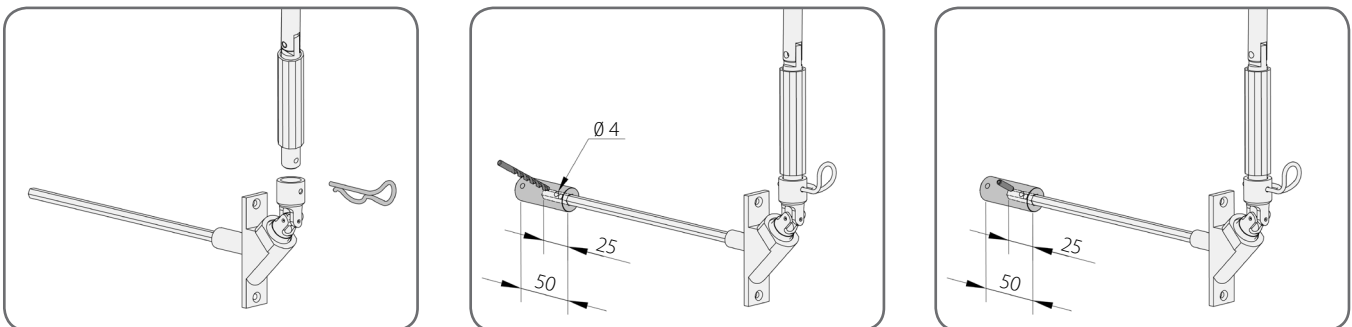
Make a hole for the sleeve **TT 22** with a diameter of 22 mm and then insert it into the wall.

Length $_{TT22} = S - 3 \text{ mm}$



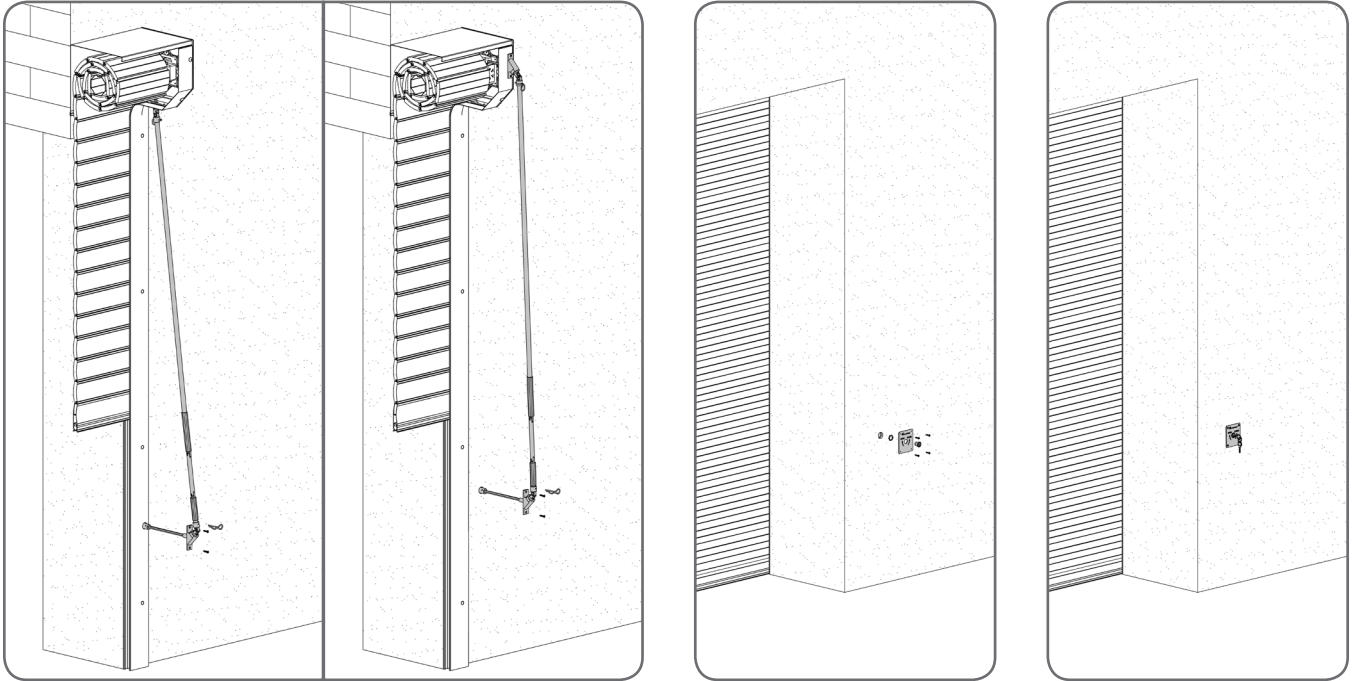
 If necessary, it is possible to shorten the length of the handle length, remember to make a suitable hole for the installation of the pin.

On the end of the axle of the Cardan joint (**PKC 90**), which should be connected with a handle using the pin, insert the connector halfway down its depth (about 25 mm). Then make the hole for the spring-type pin 4 x 16 mm in the joint axle using the drill $\varnothing 4$ mm



Insert the Cardan joint with the attached connector into the sleeve in the wall and then tighten the body to the wall or guide channel. From the other side of the wall screw the covering plate with installed lock **ZM ANR**.

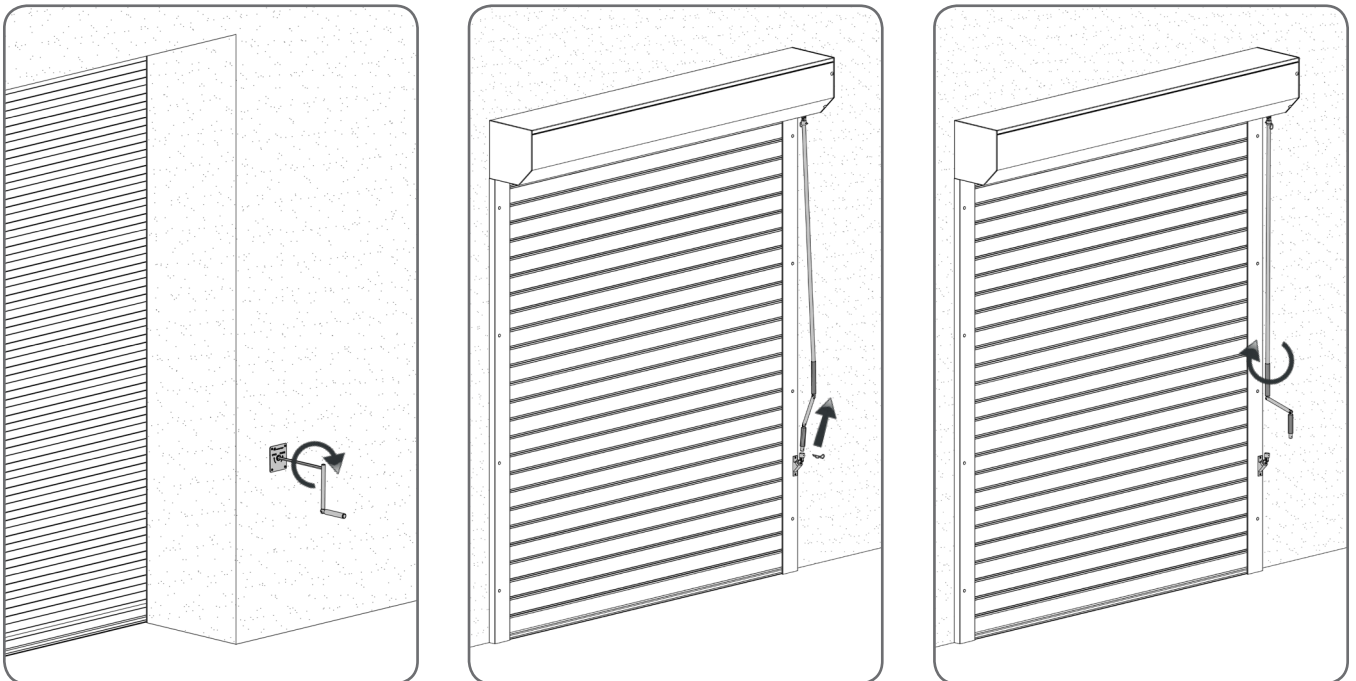
⚠ The type of the screws fixing the covering plate should be selected individually, depending on the type of substrate ad mounted in such a way as to prevent unscrewing of the plate with the lock by an unauthorized person.



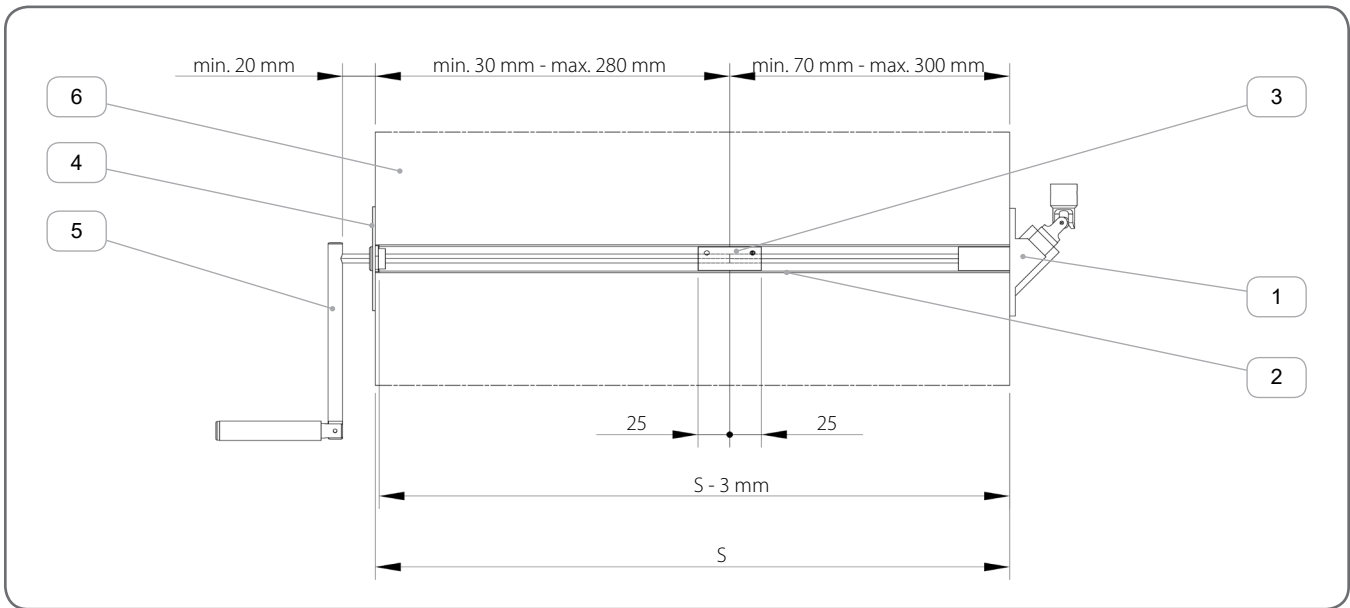
Modes of operation:

To open the gate from the outside, unscrew the lock **ZM ANR**, then insert the handle into the hole **KR** and rotate according to the markings on the covering plate.

To open the gate from the inside, remove the pin connecting the bottom joint with the handle and then pull out the handle.



Cross-section through the wall:



	Name of the component	Catalogue code
1.	Cardan joint 90°	PKC 90
2.	Plastic sleeve RL22	TT 22
3.	Connector 50 mm	
4.	Covering plate	
5.	Handle	
6.	Wall	