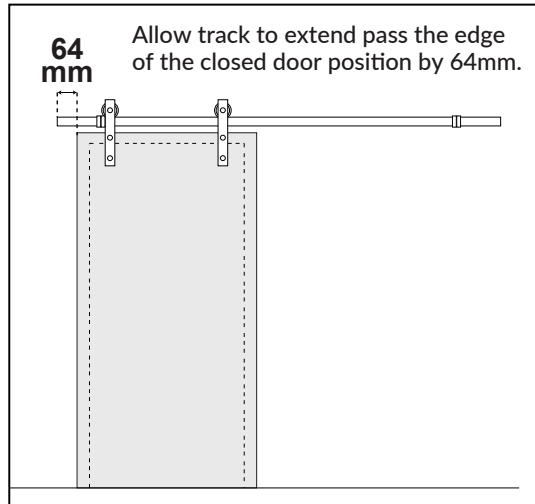


Installation Manual

THREASI FRONT MOUNTED BAR TRACK

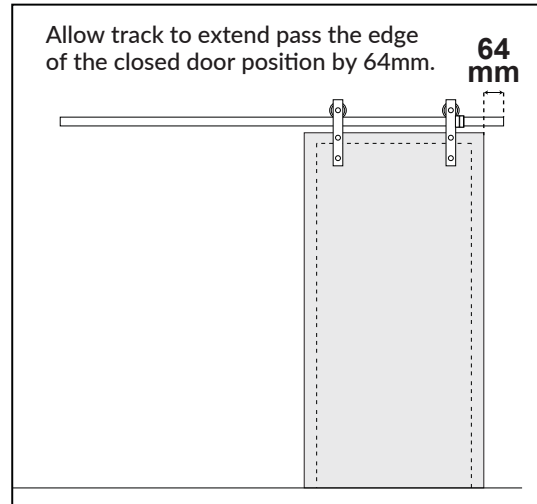
End of track position relative to door position:

Door closing to the left.



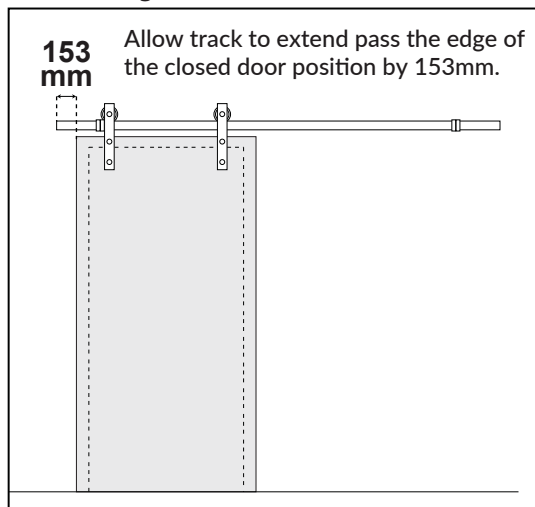
1500mm TRACK FOR 686mm DOOR USE.

Door closing to the right.



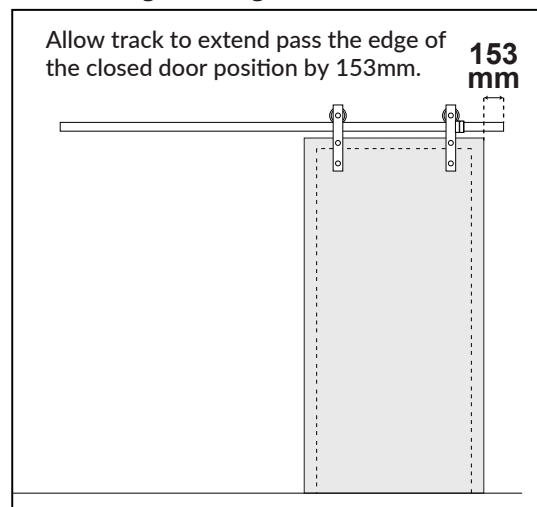
1500mm TRACK FOR 686mm DOOR USE.

Door closing to the left.



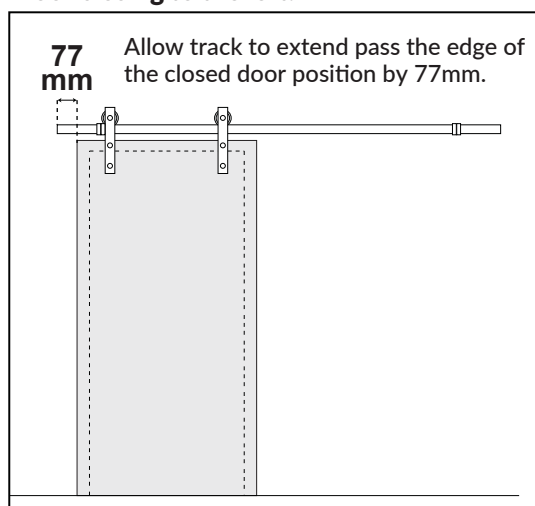
1830mm TRACK FOR 762mm DOOR USE.

Door closing to the right.



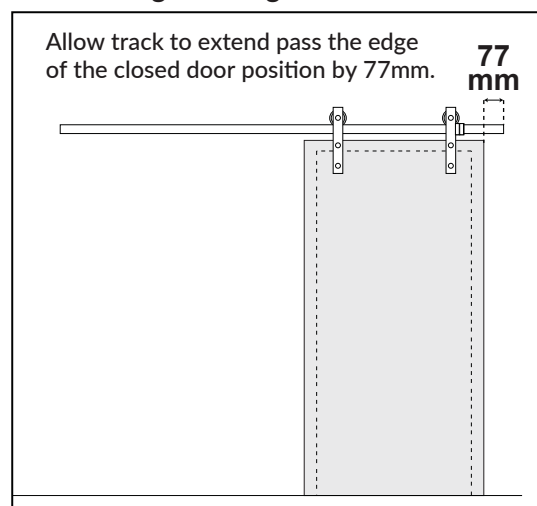
1830mm TRACK FOR 762mm DOOR USE.

Door closing to the left.



1830mm TRACK FOR 838mm DOOR USE.

Door closing to the right.



1830mm TRACK FOR 838mm DOOR USE.