



Ermetika®

GLASS KIT FOR ABSOLUTE EVO

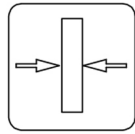
EP



Ⓞ SET UP INSTRUCTIONS POCKET SLIDING SYSTEM PLASTERBOARD

1

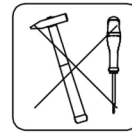
technical features



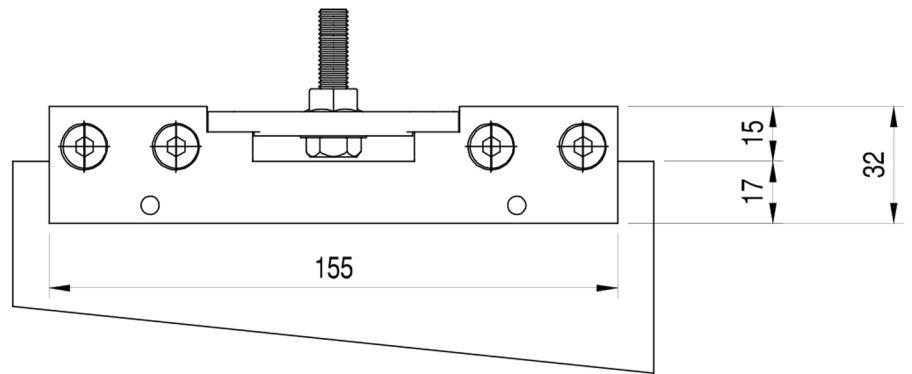
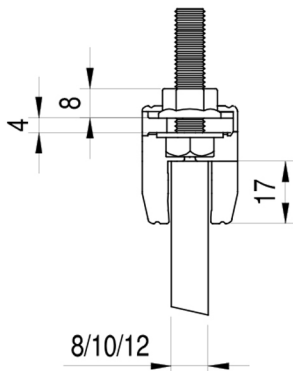
8 - 12 mm



250 KG
without top patches - sin

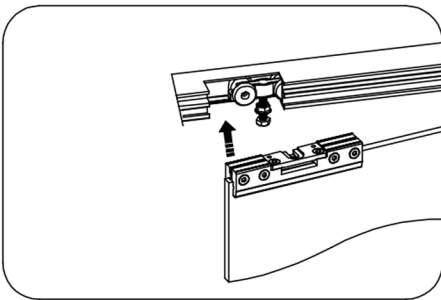


EASY



Coupling door to system

1.1

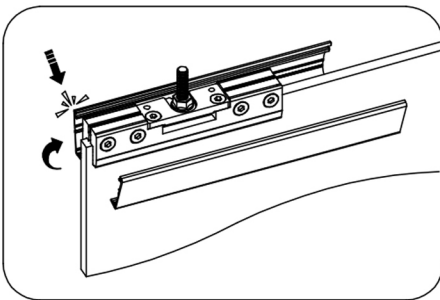


Hv = H - 30 mm

Hv = glass height
H = Height passage op.

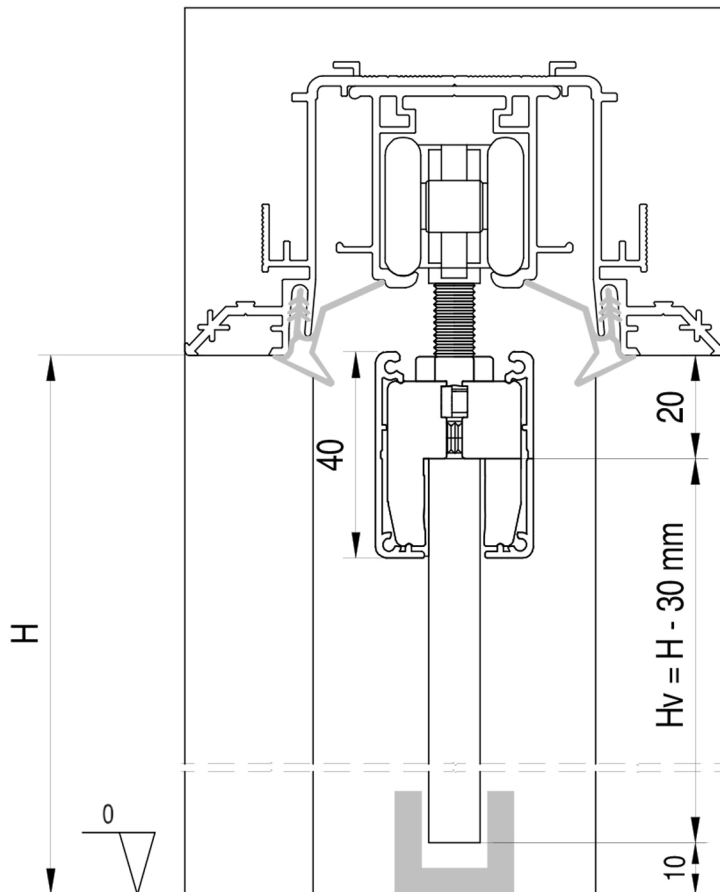
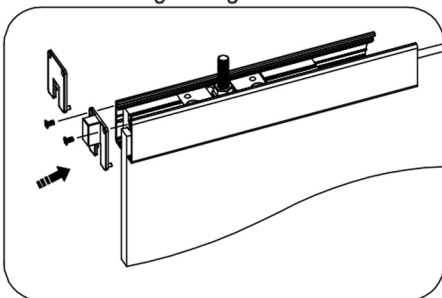
Cartier click

1.2

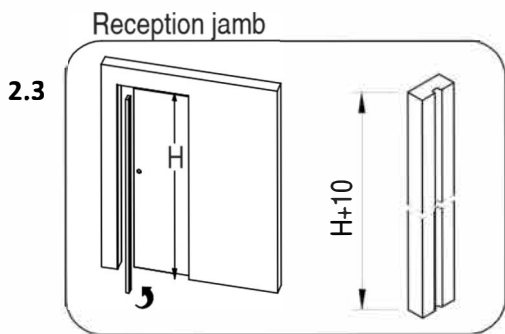
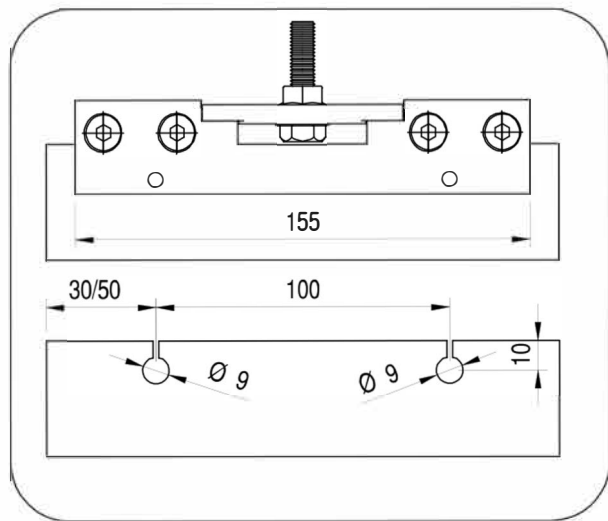
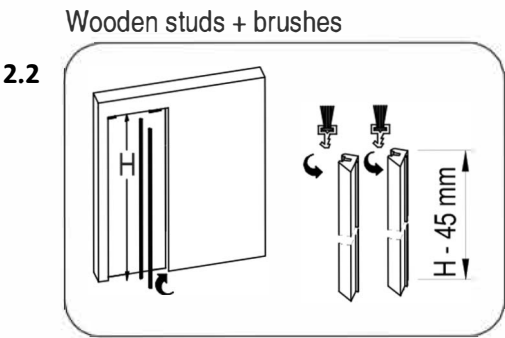
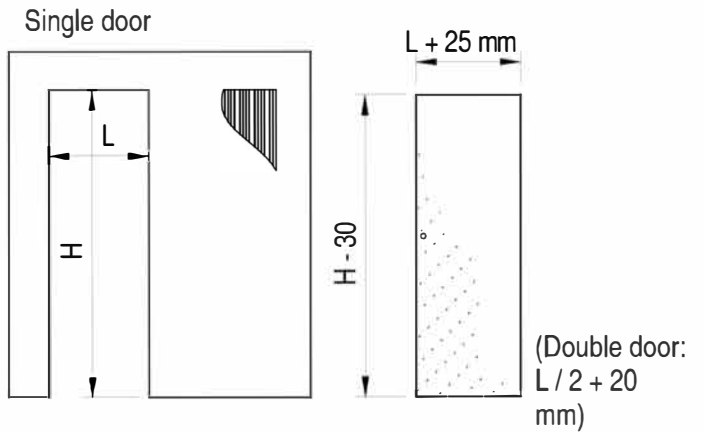
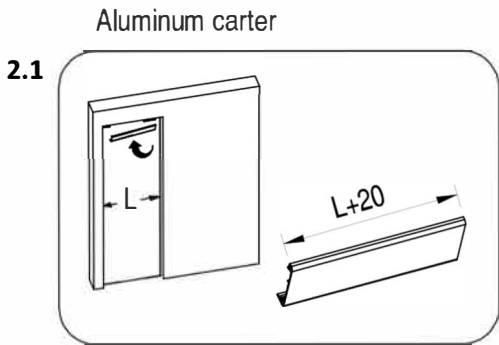
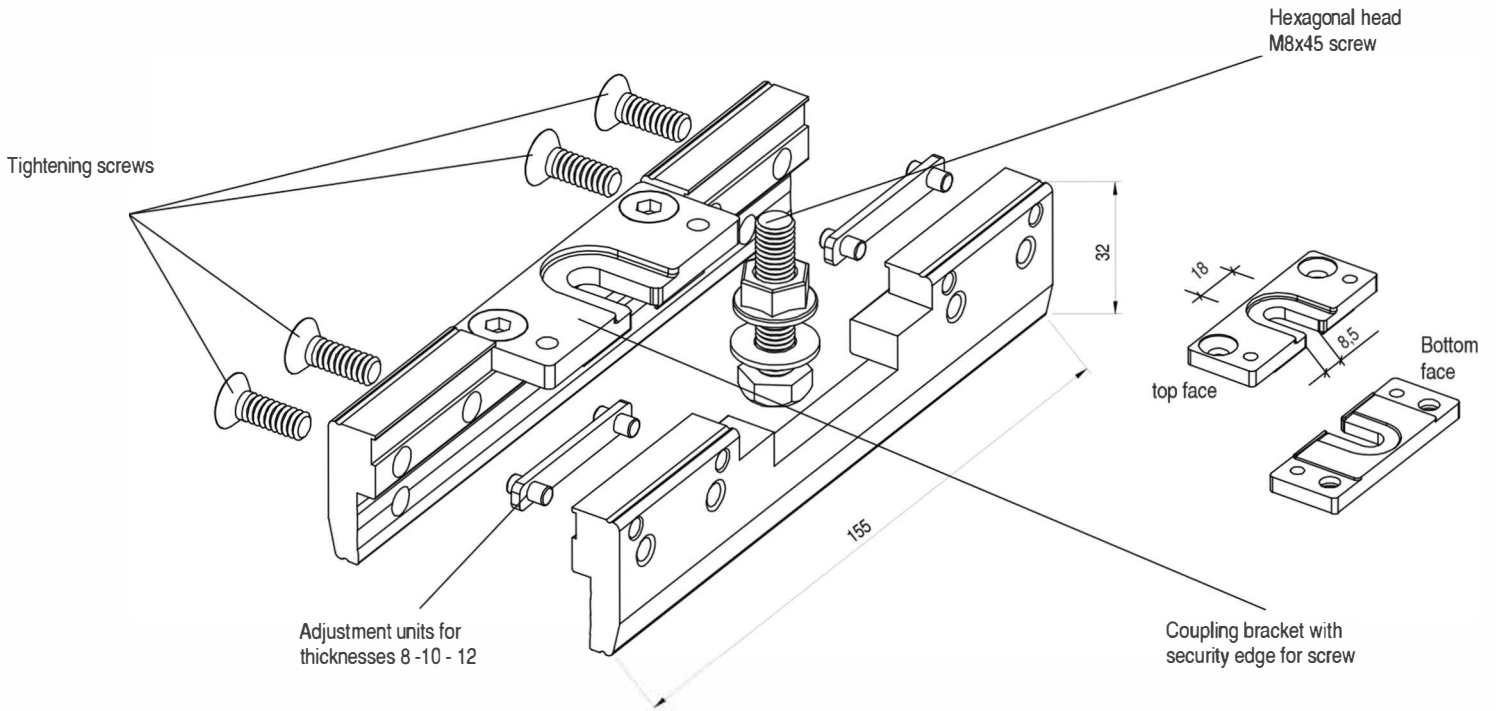


Plugs fixings

1.3



: N.b.: these sizes are valid for systems set up at finished floor level



- Optional -