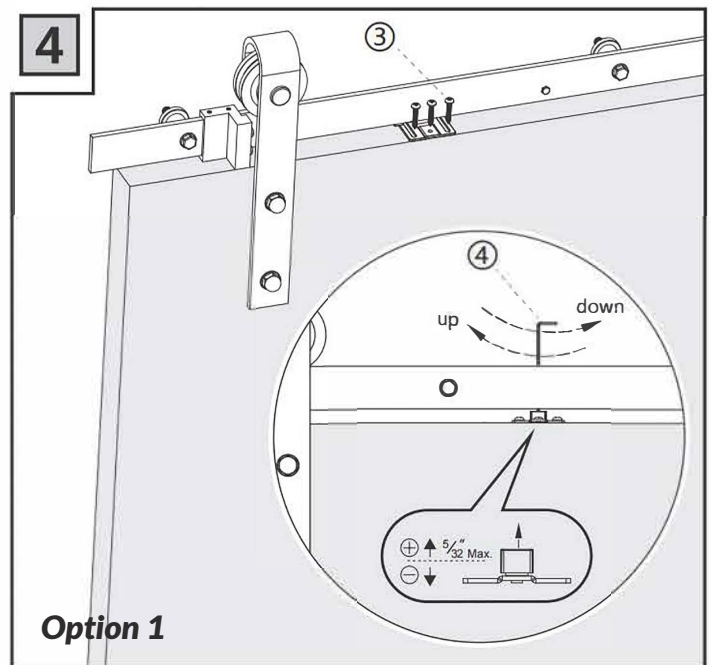
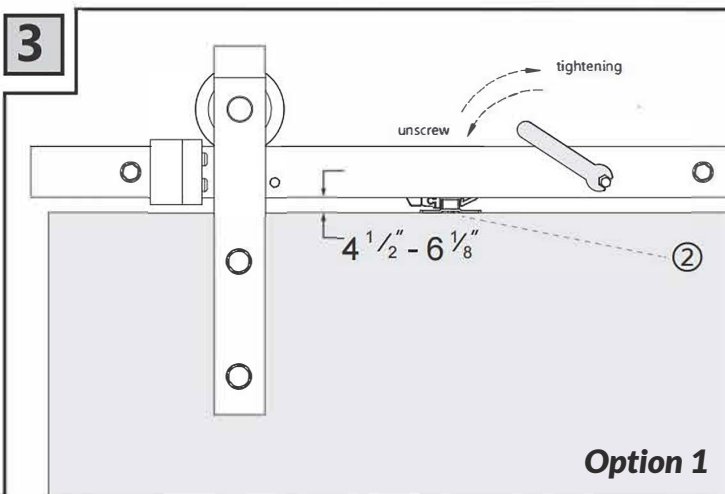
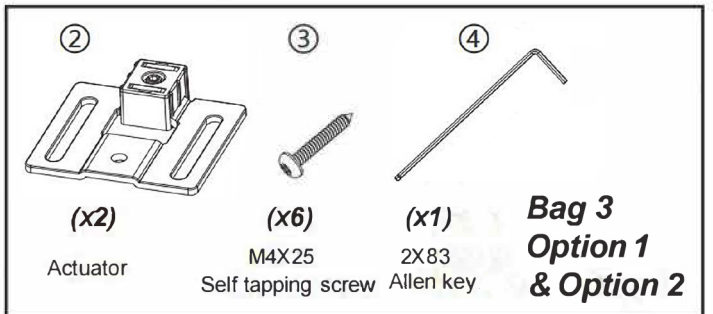
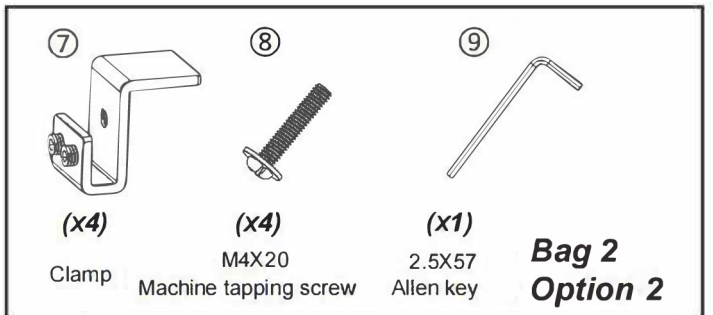
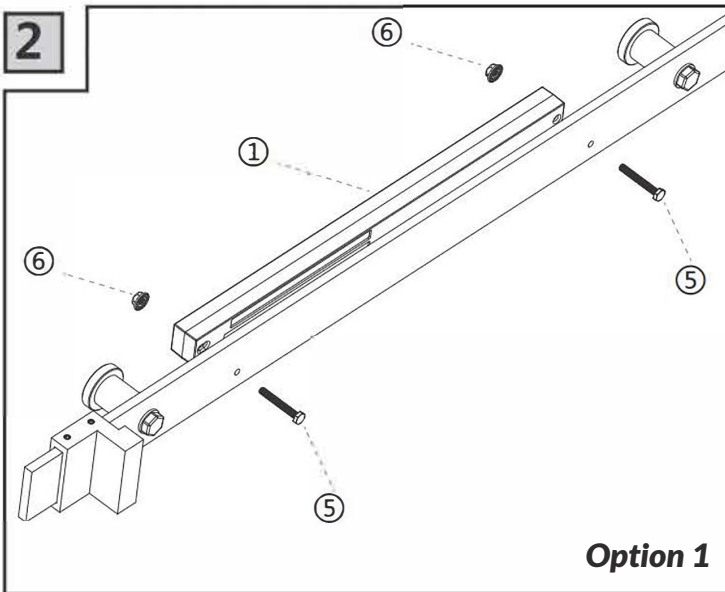
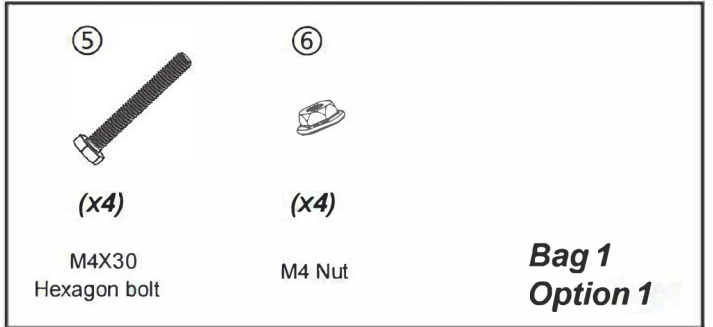
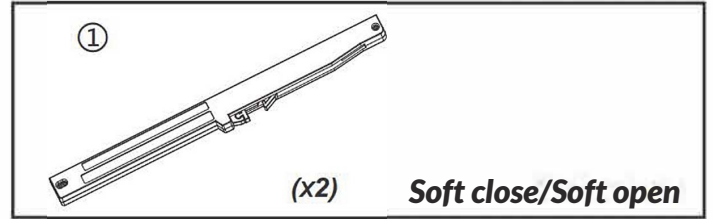
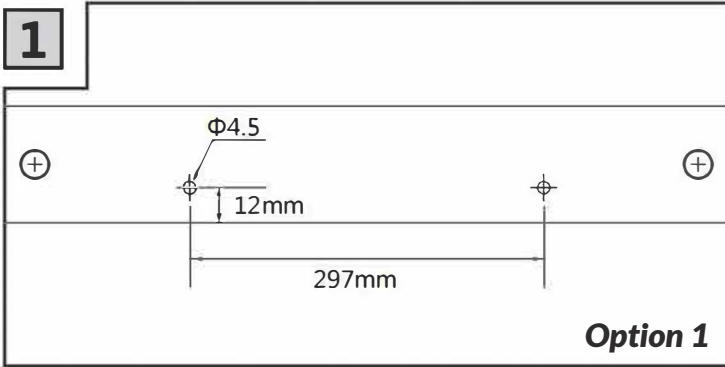


Installation Manual For Soft Close/Soft Open



Option 1: Installation method of drilling hole (Bag 1+Bag 3)



Option 2: Installation method without drilling hole (Bag 2+Bag 3)

