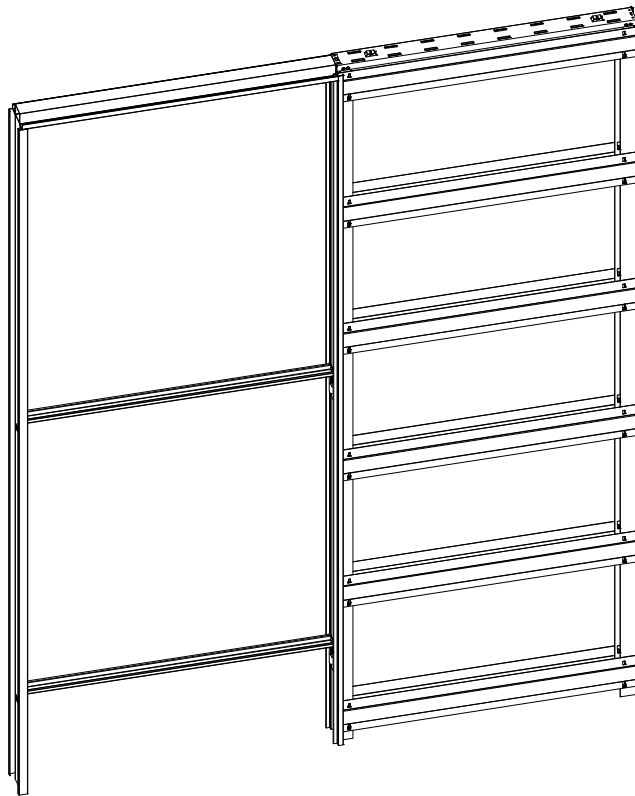


Ermetika[®]
INSIDE WALLS



SETUP INSTRUCTION

Evokit Double

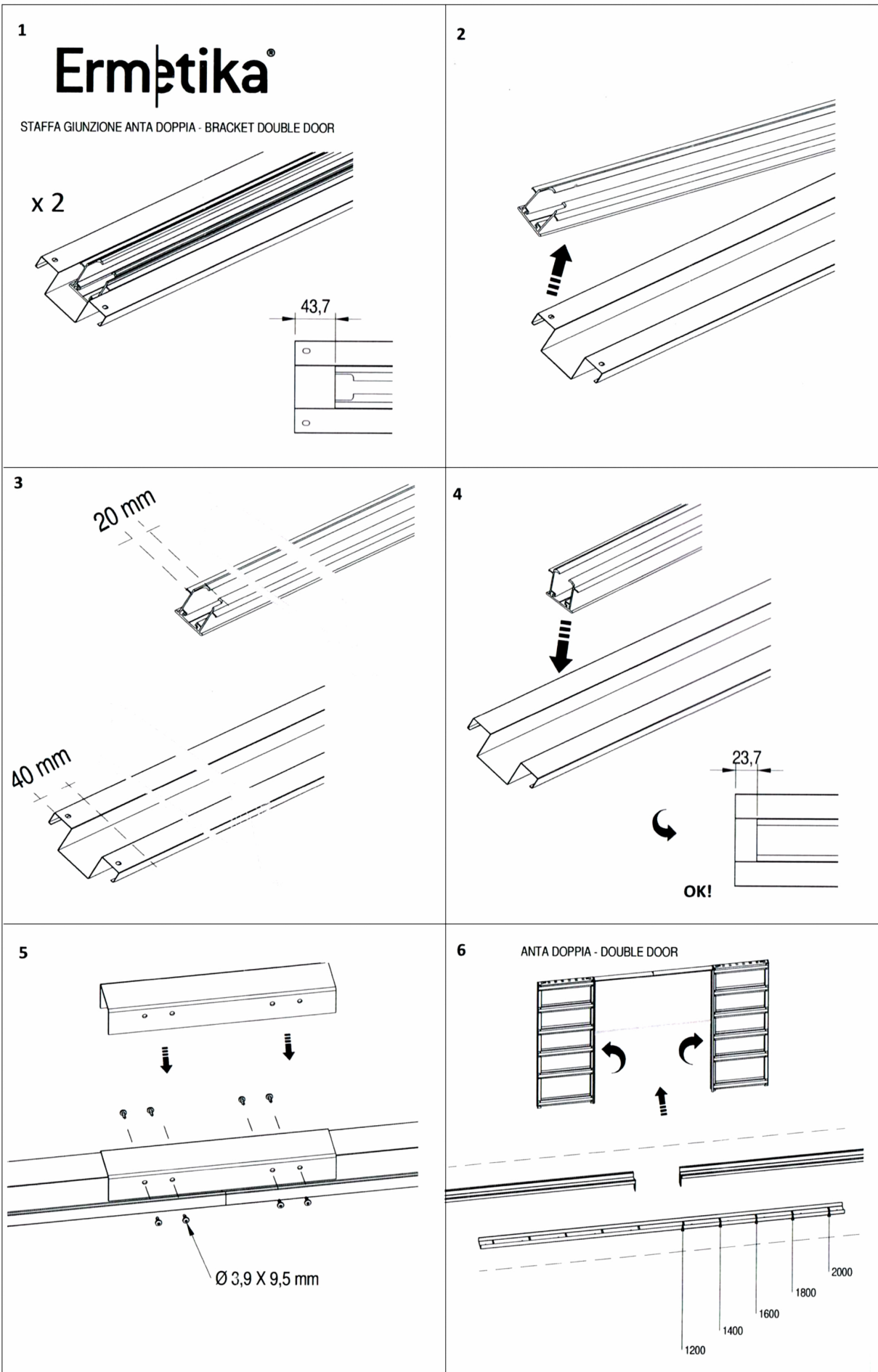


INDEX

Setup for 100 finished wall.....	3 - 6
Setup for 125 finished wall.....	7 - 10
Setup plasterboard.....	11 - 13

Cutting instructions for double pocket door junction bar. READ THIS INSTRUCTIONS FIRST.

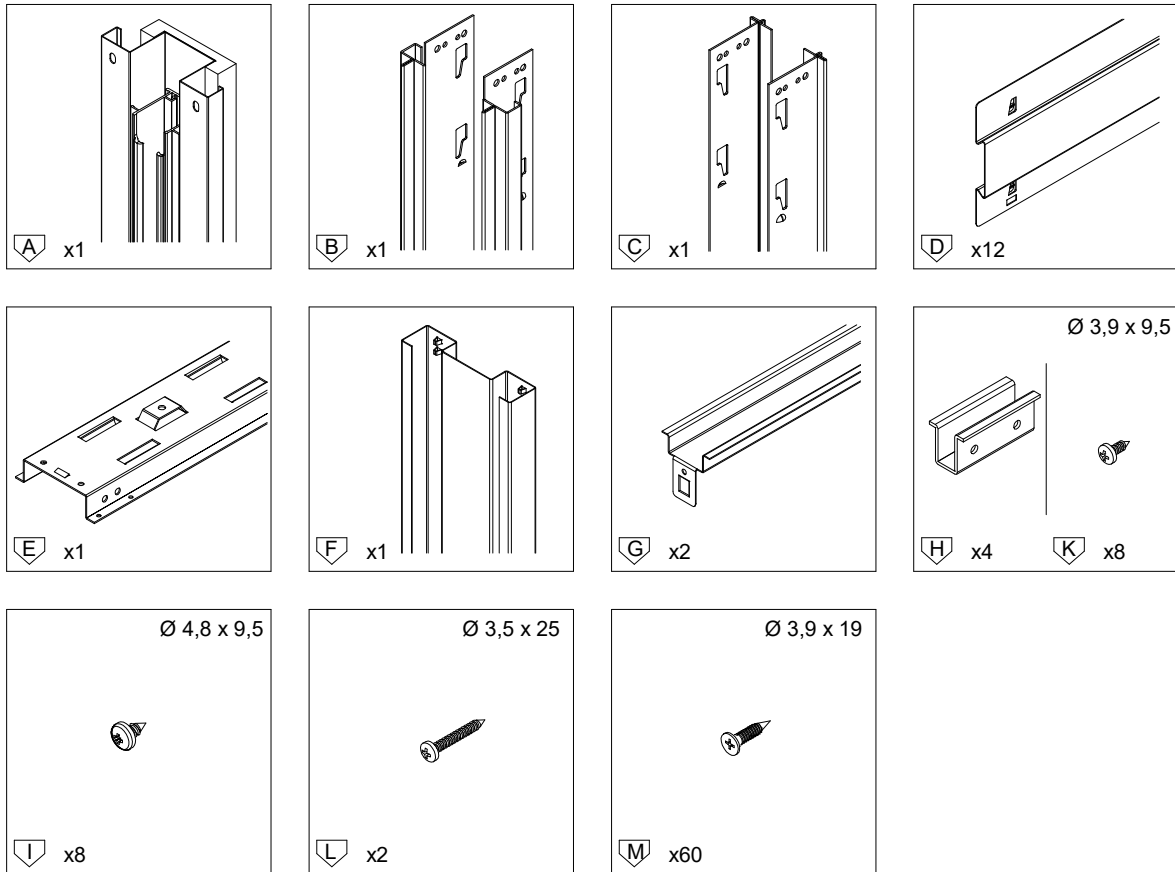
Follow [this link](#) to the video guide of junction bar installation



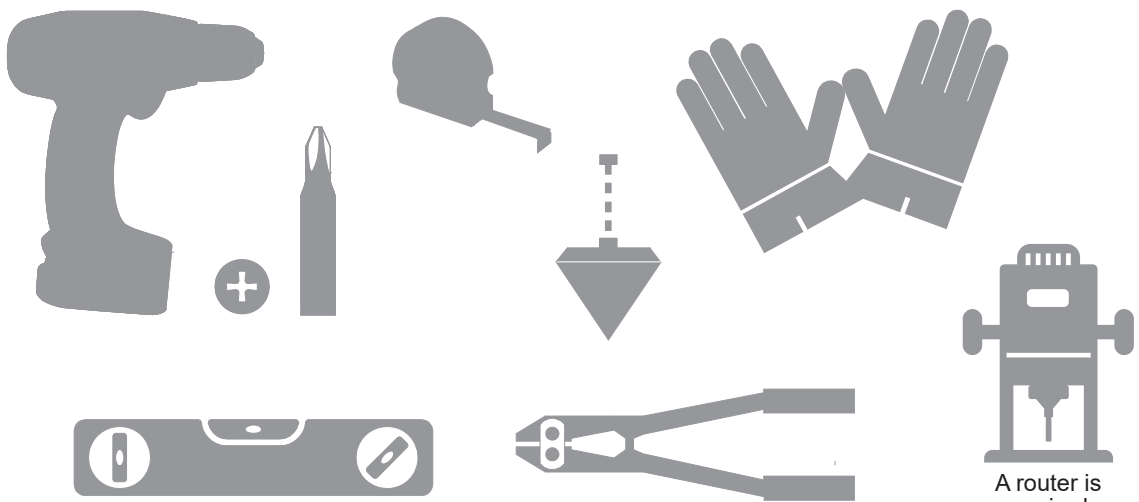
CONTENTS



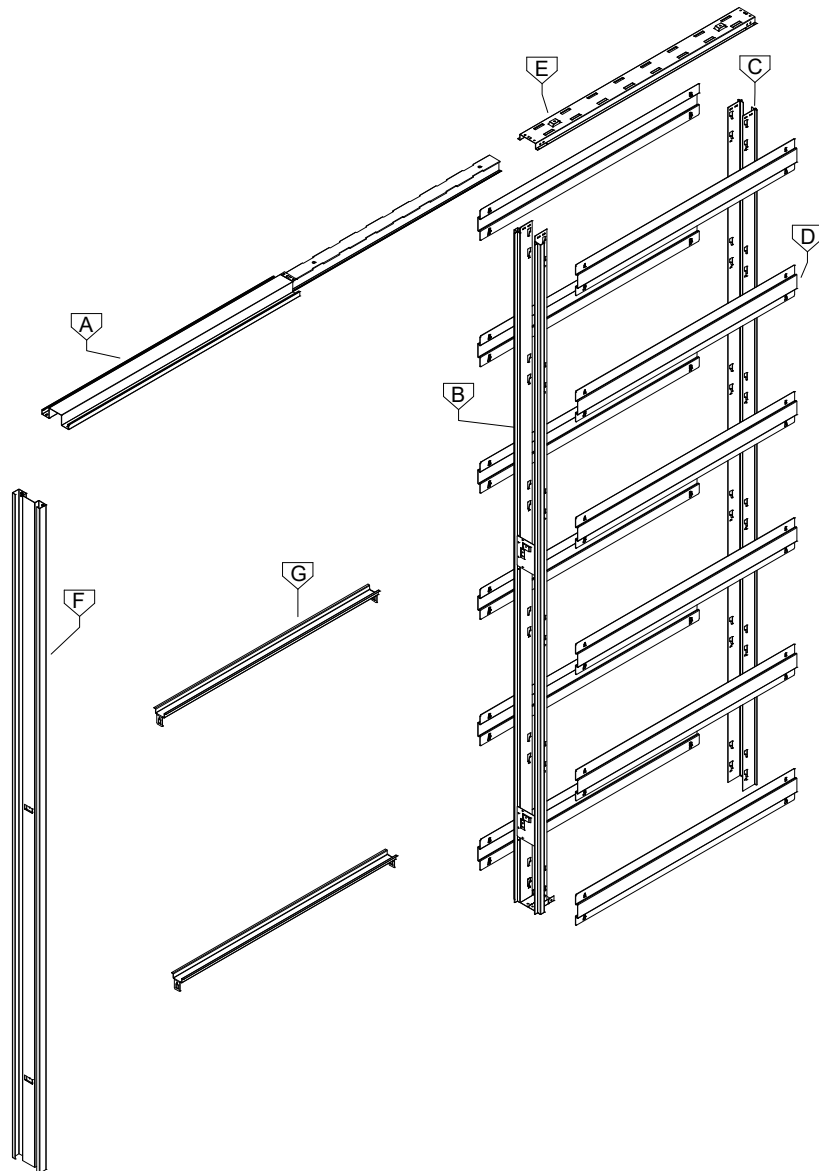
Standard equipment



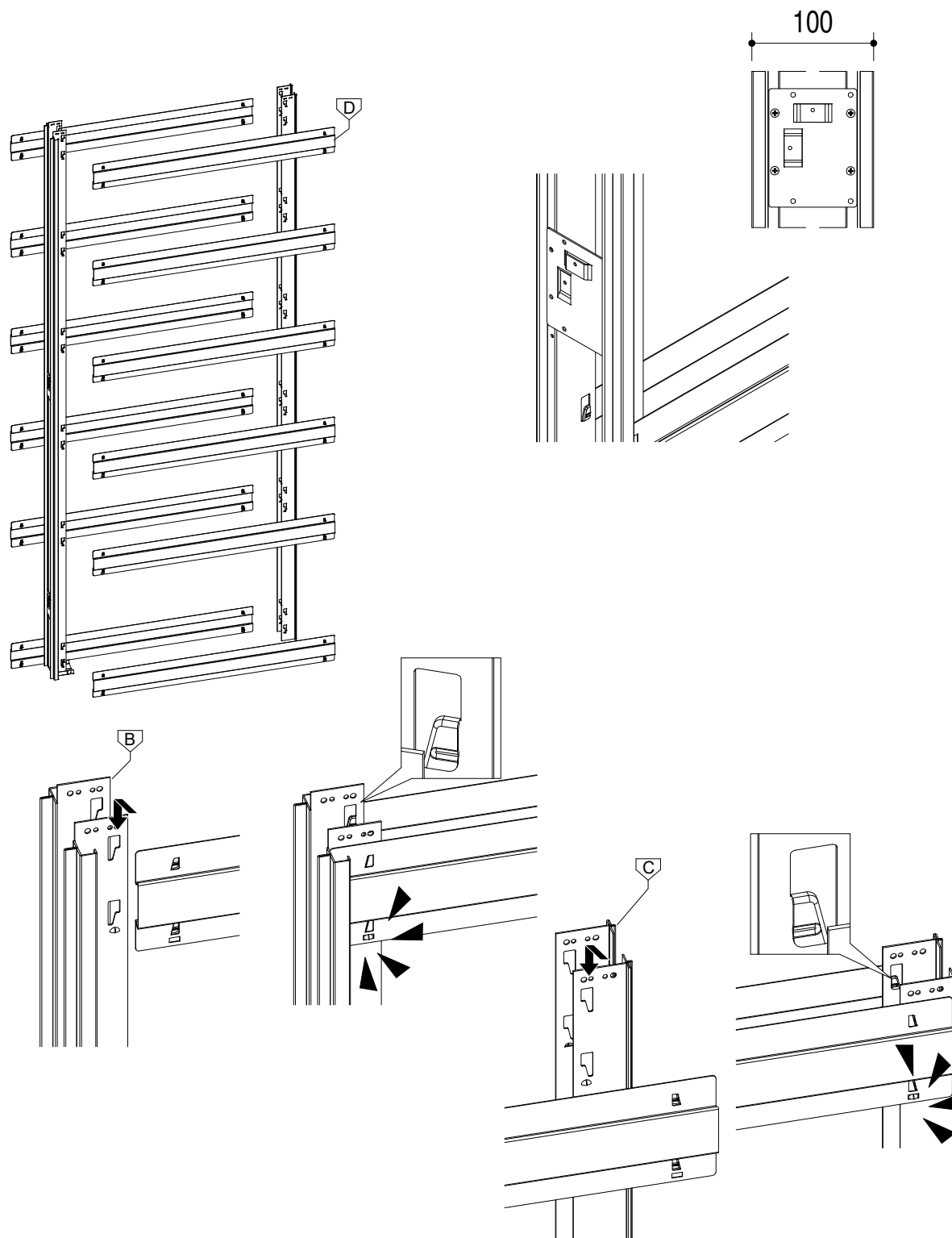
Tools



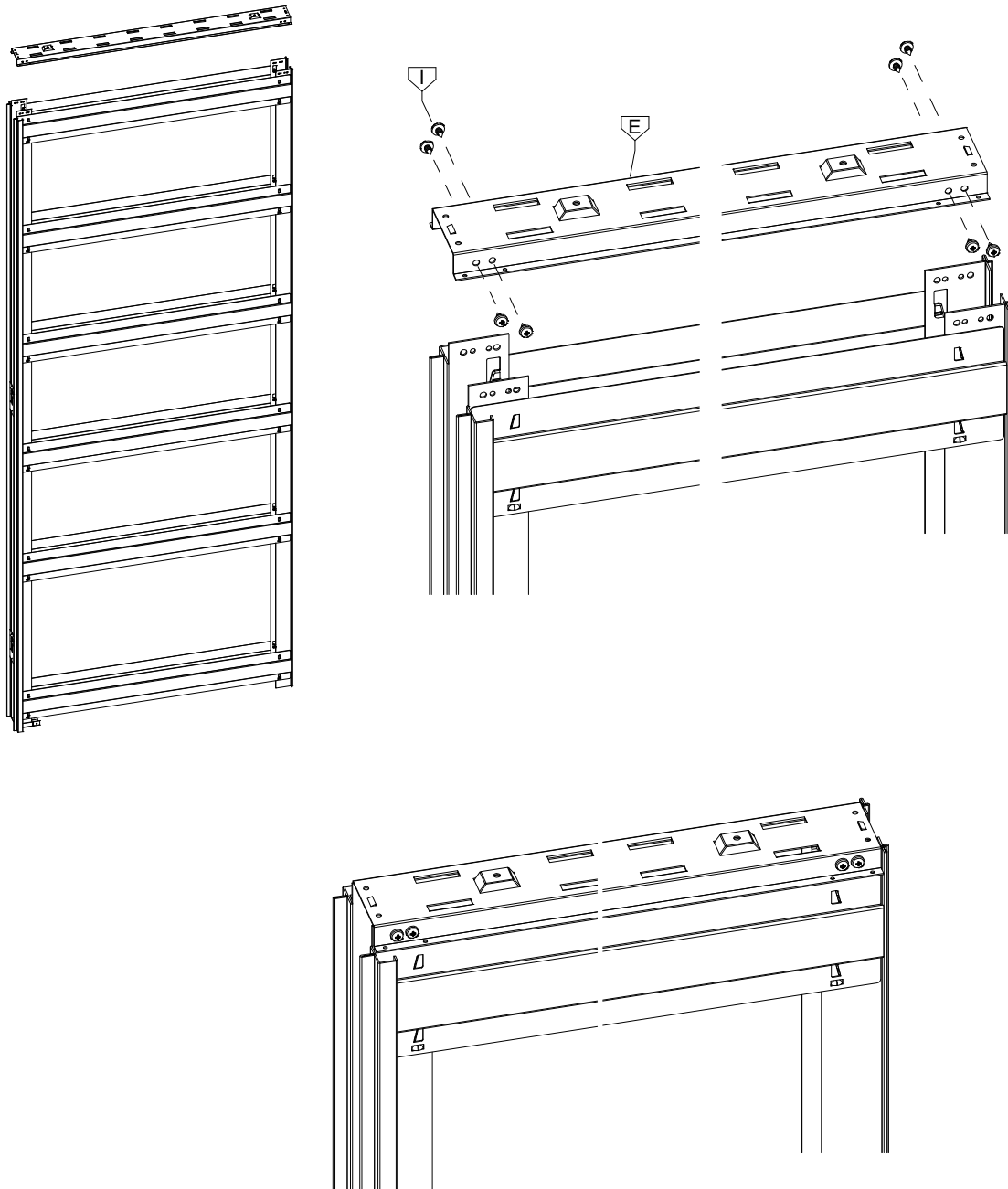
Overall view



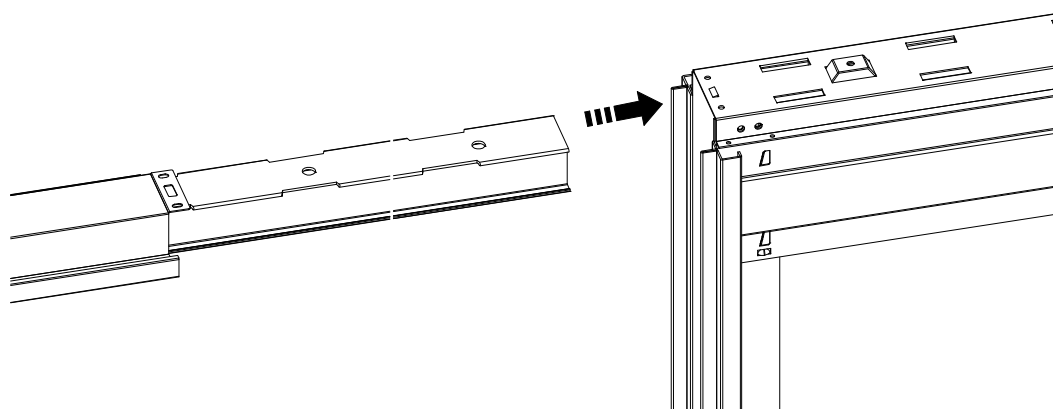
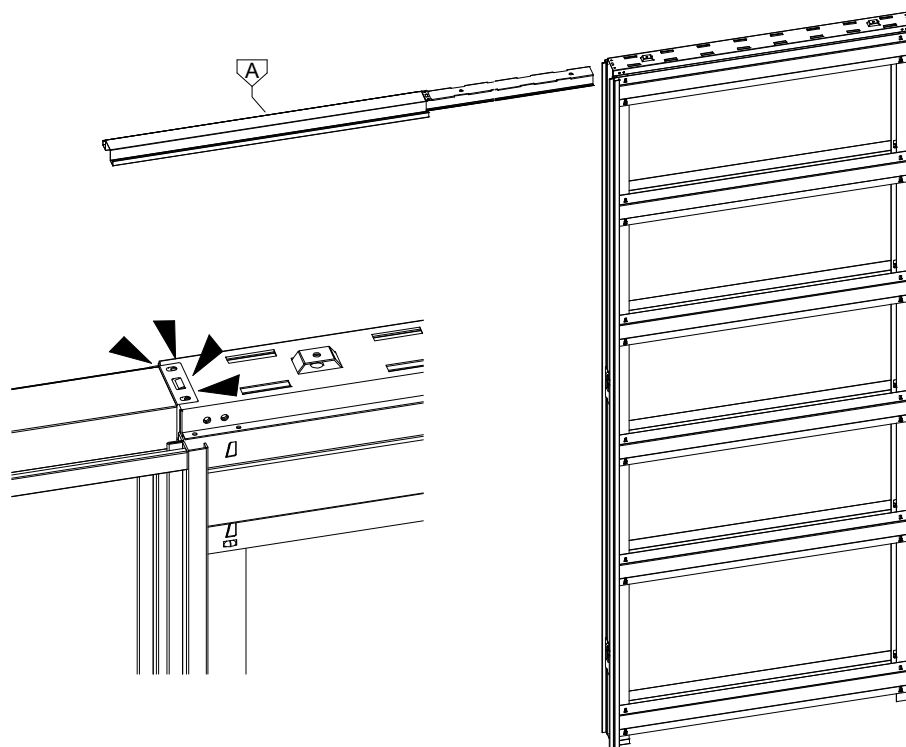
1.1



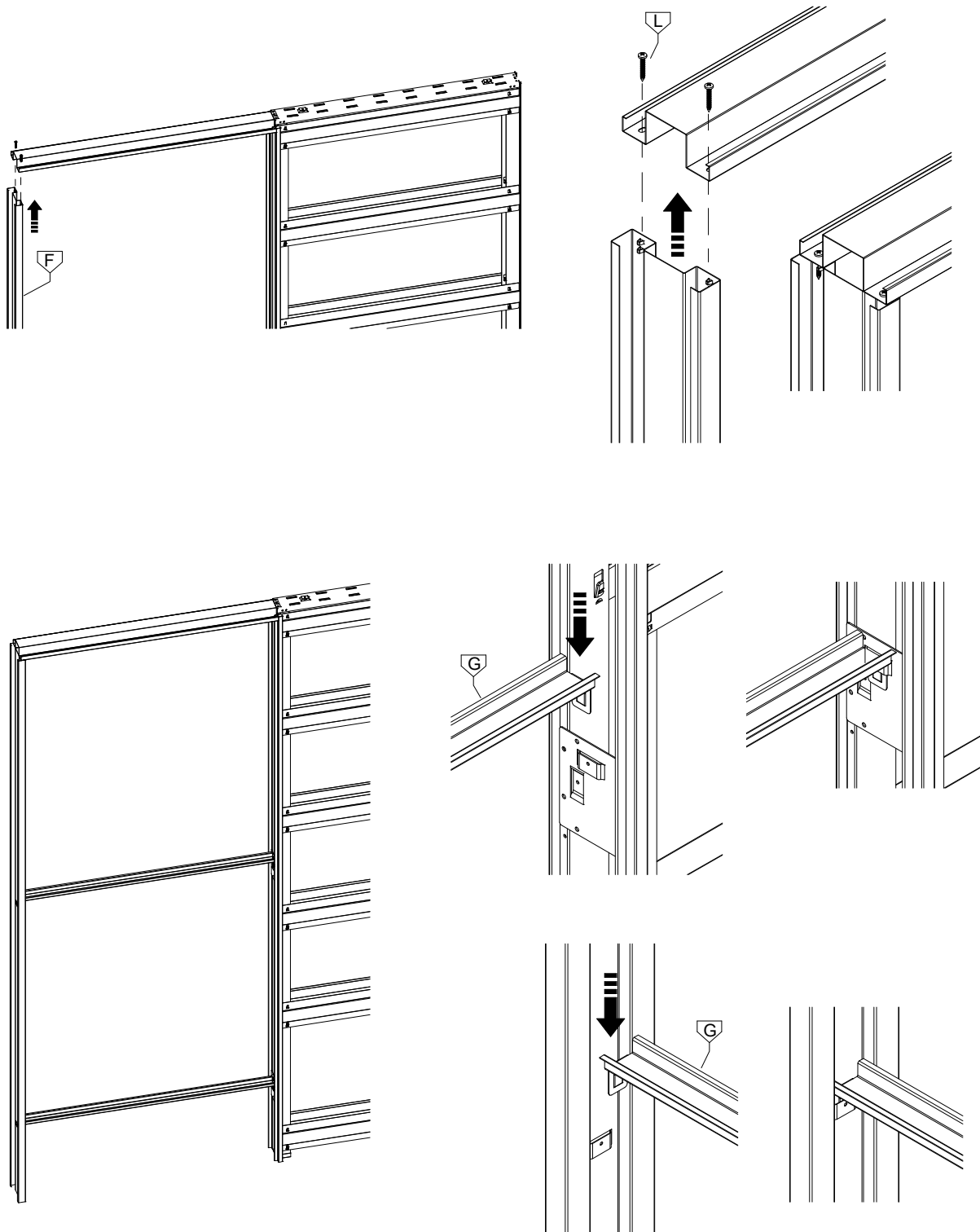
1.2



1.3

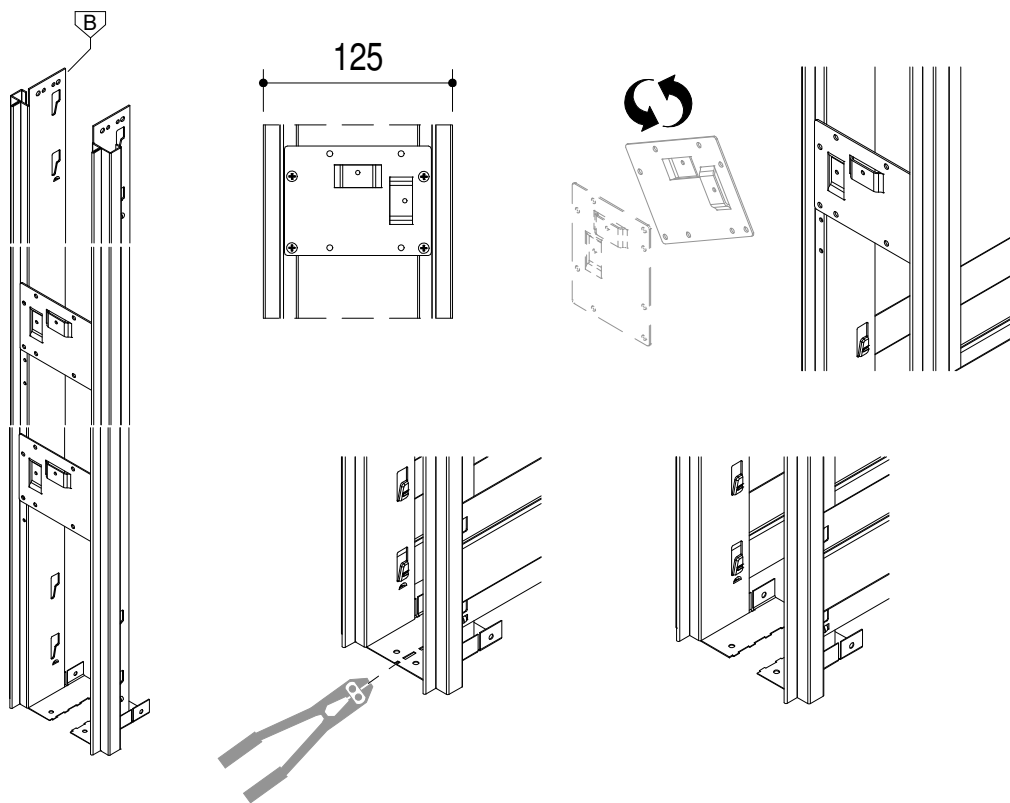


1.4

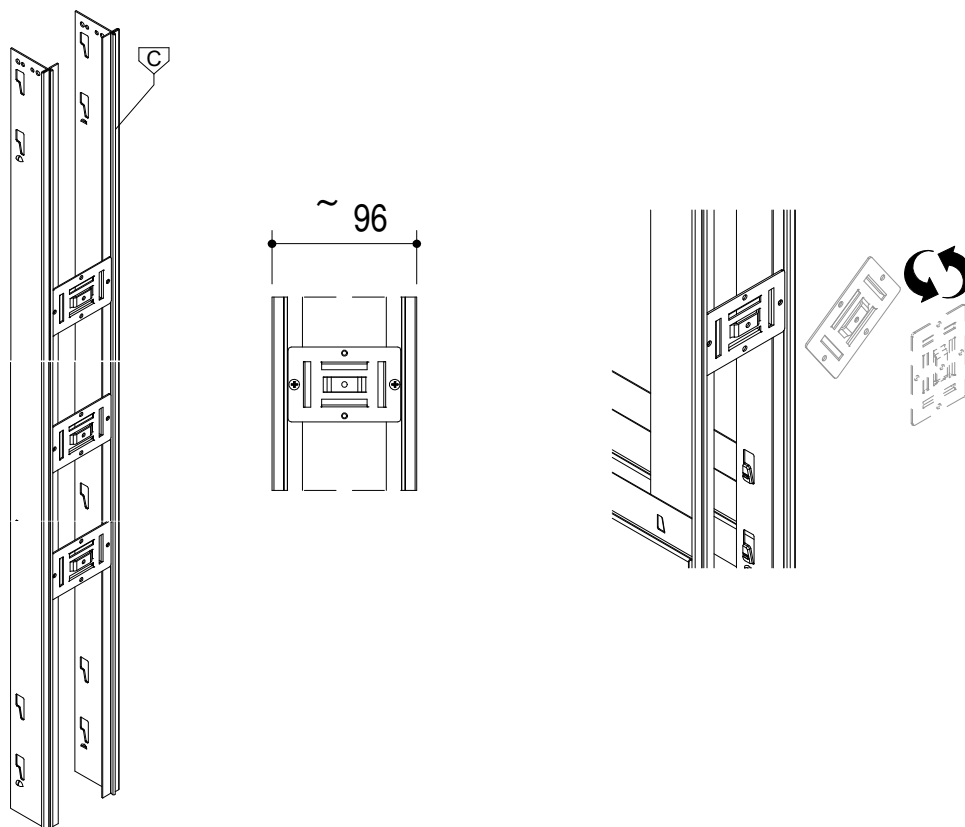


Subject to misprints, errors and technical modifications.
All dimensions are in mm

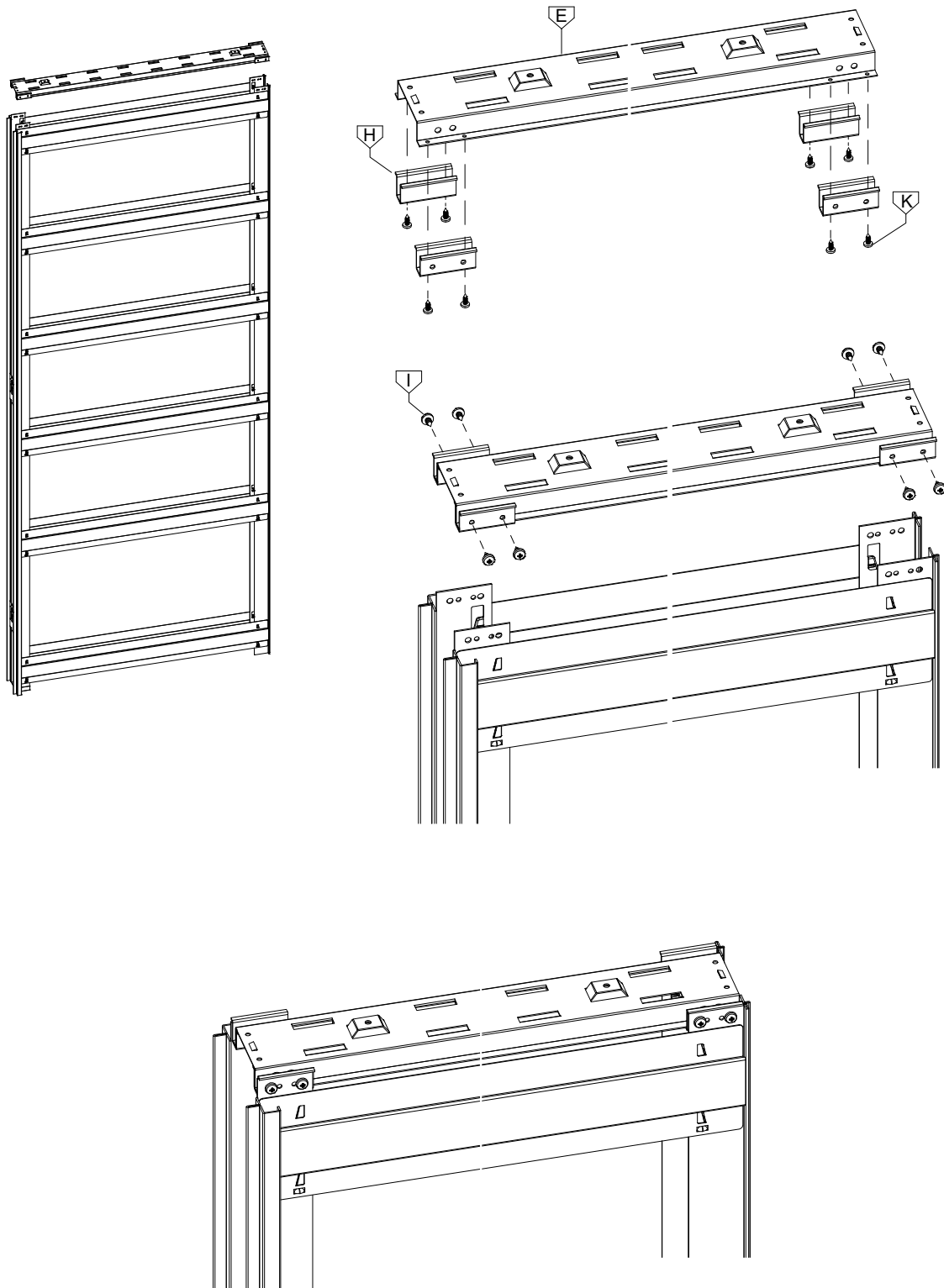
2.1



2.2

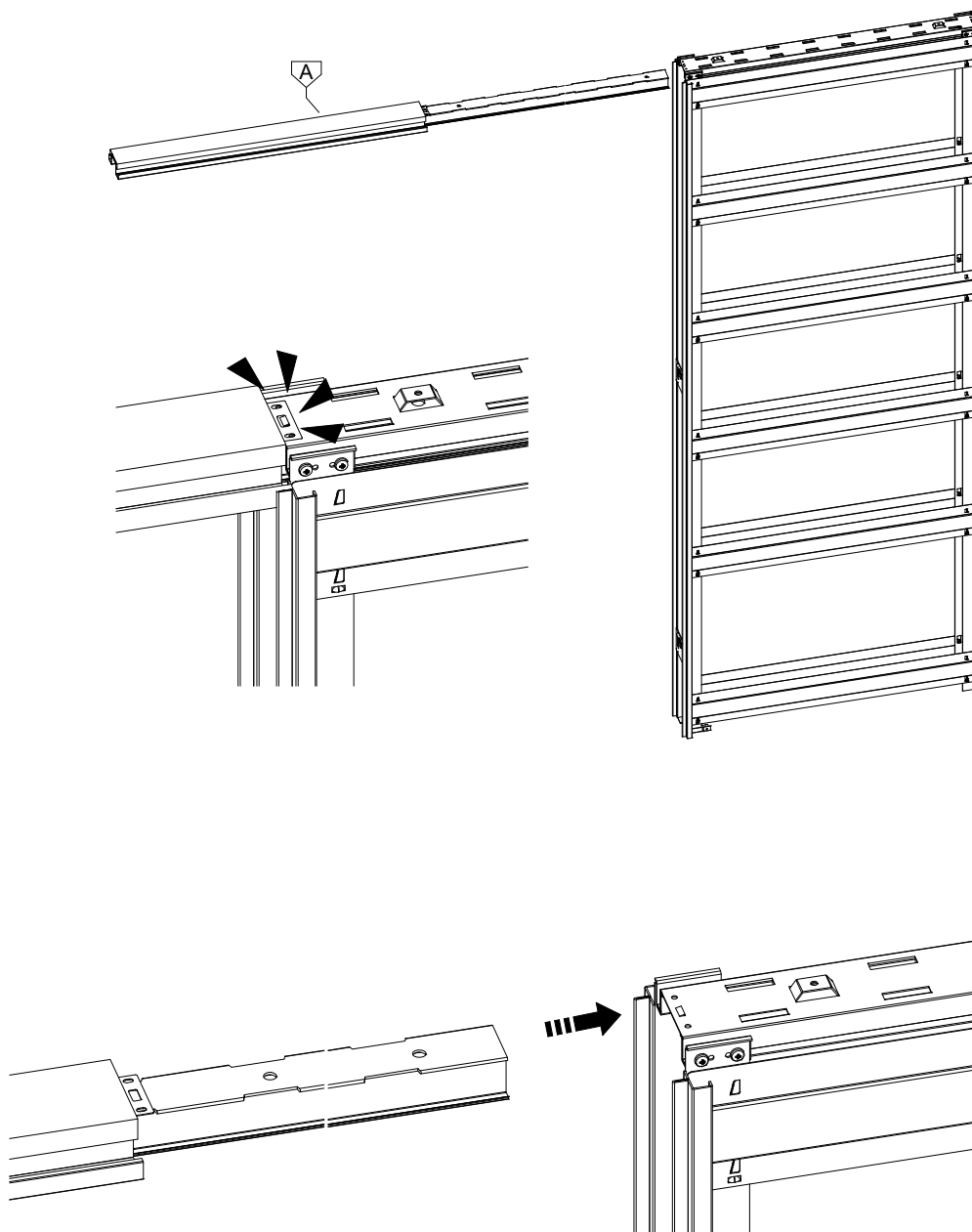


2.3

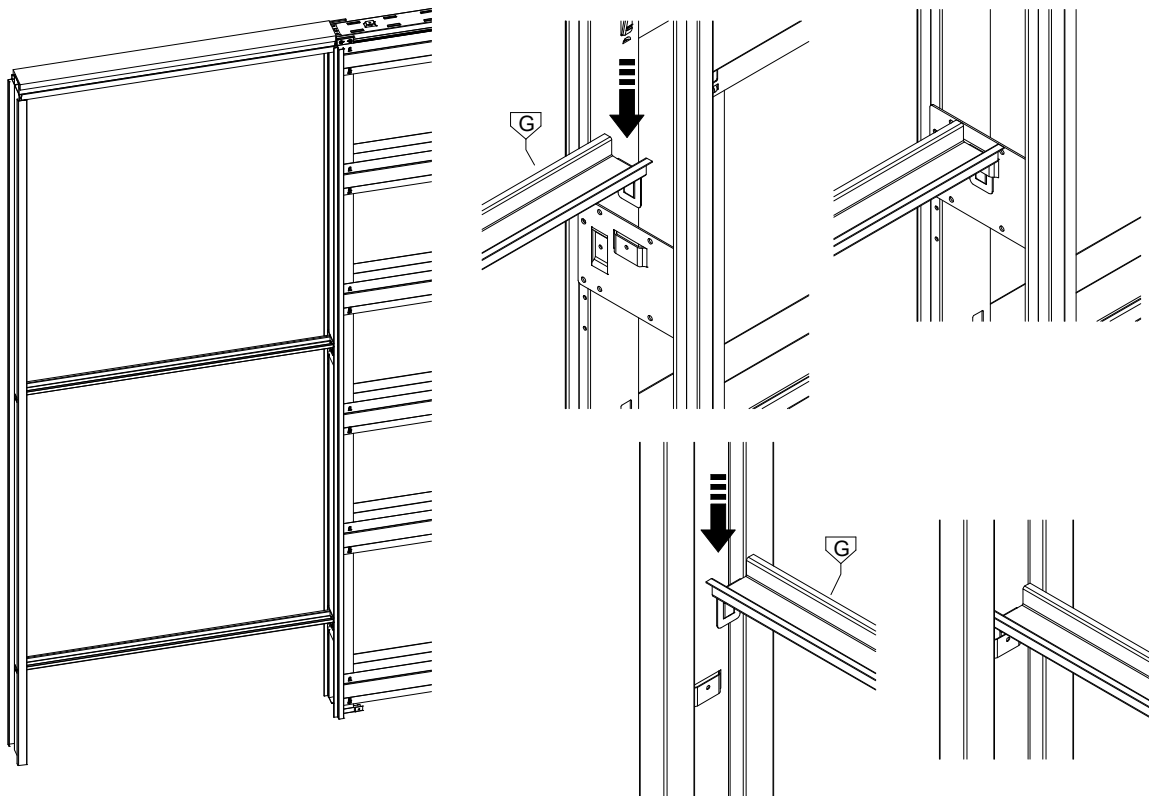
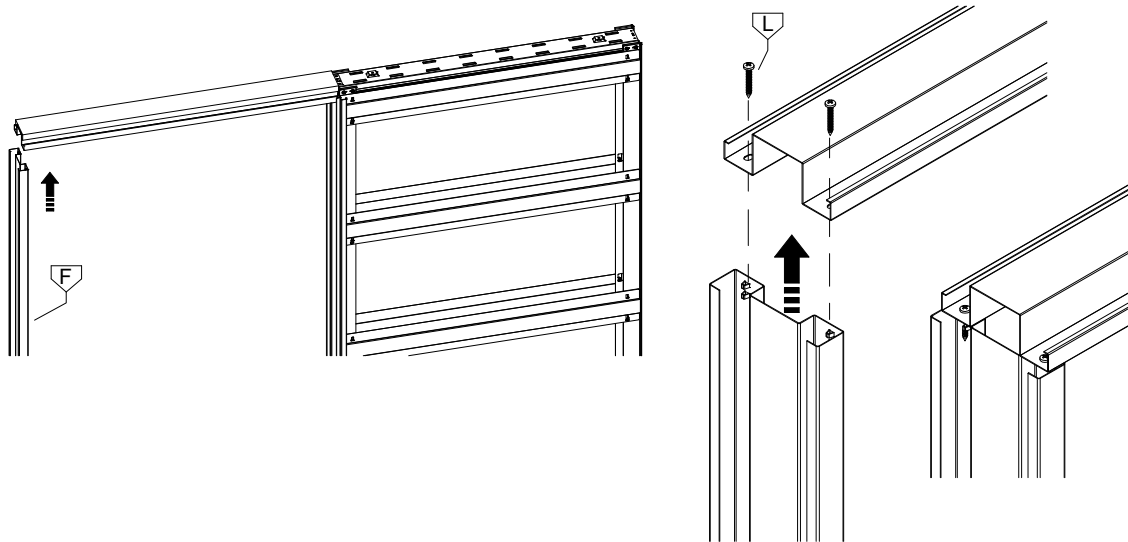


Subject to misprints, errors and technical modifications.
All dimensions are in mm

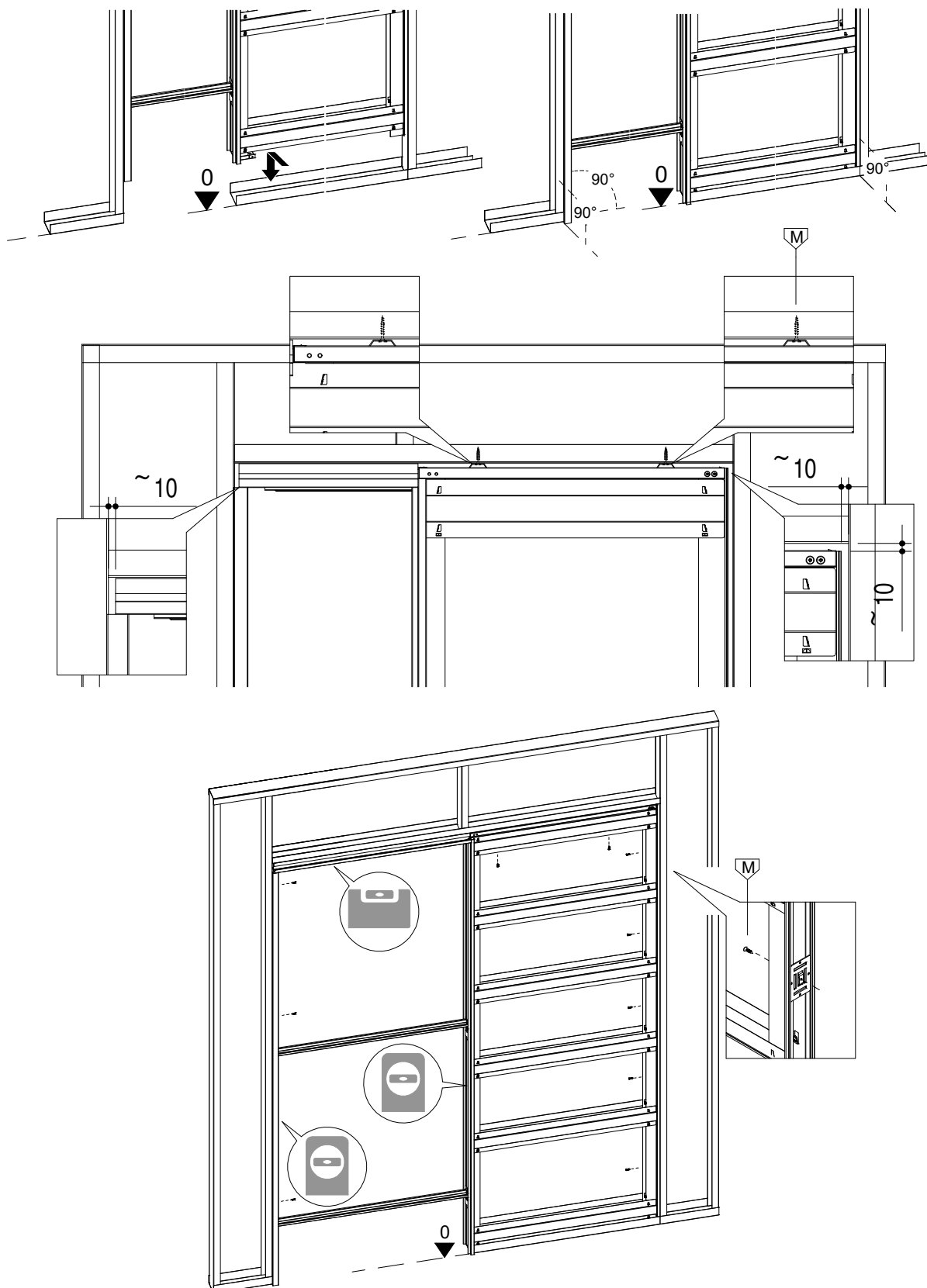
2.4



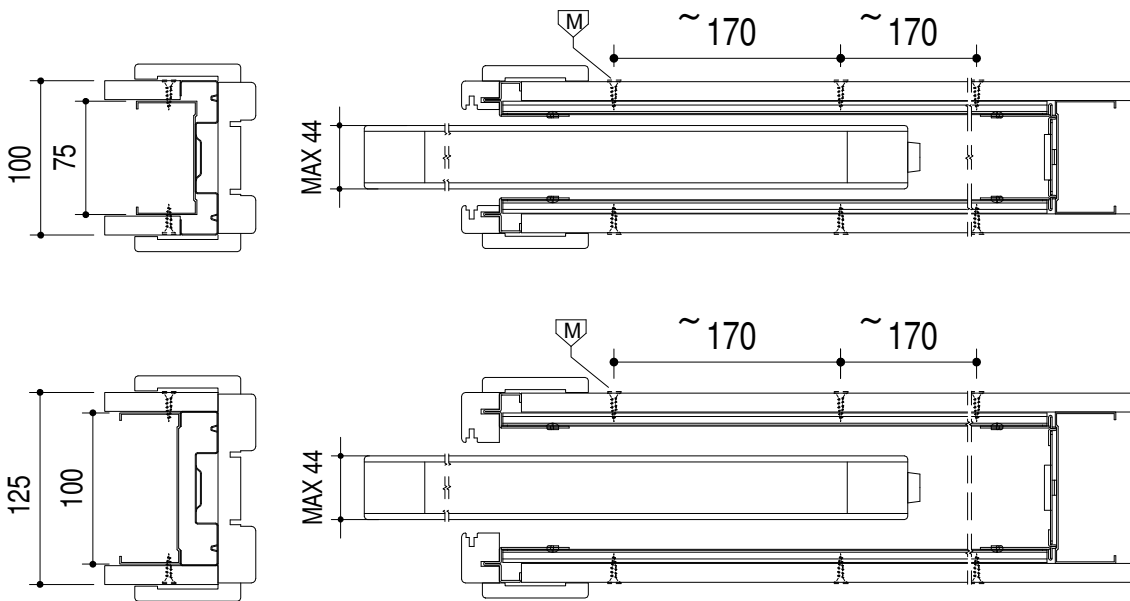
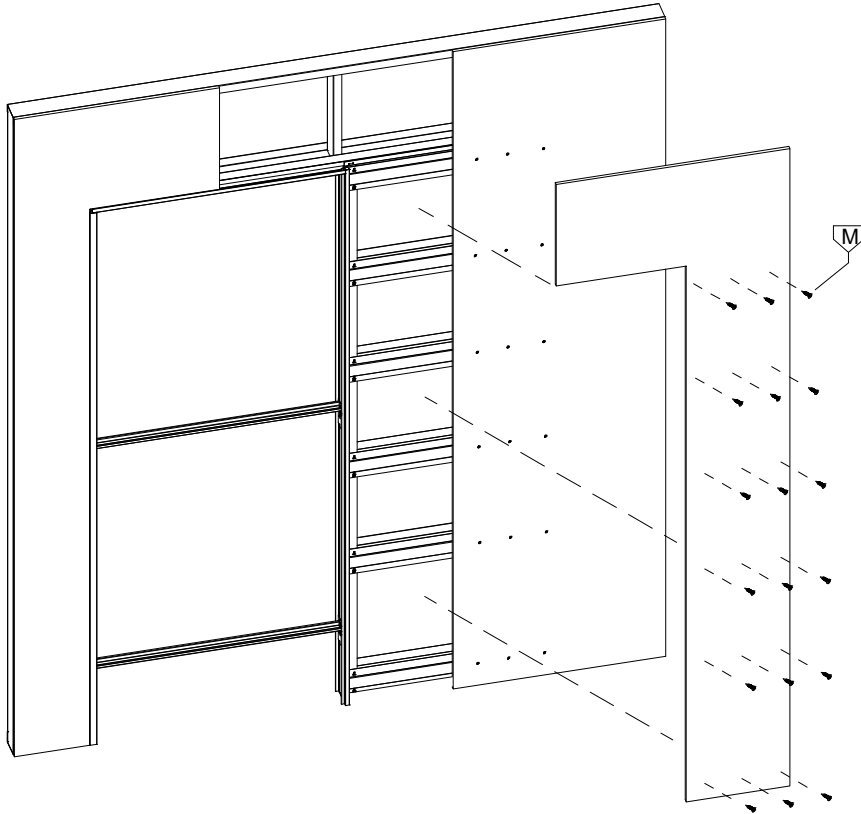
2.5



3.1

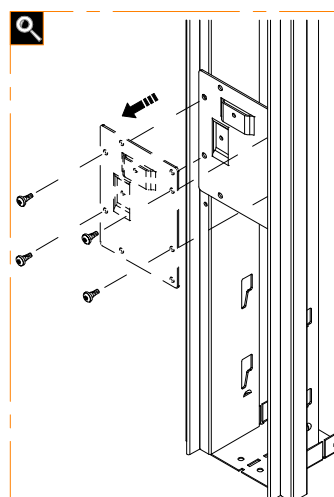
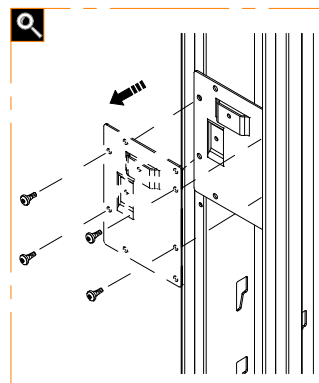
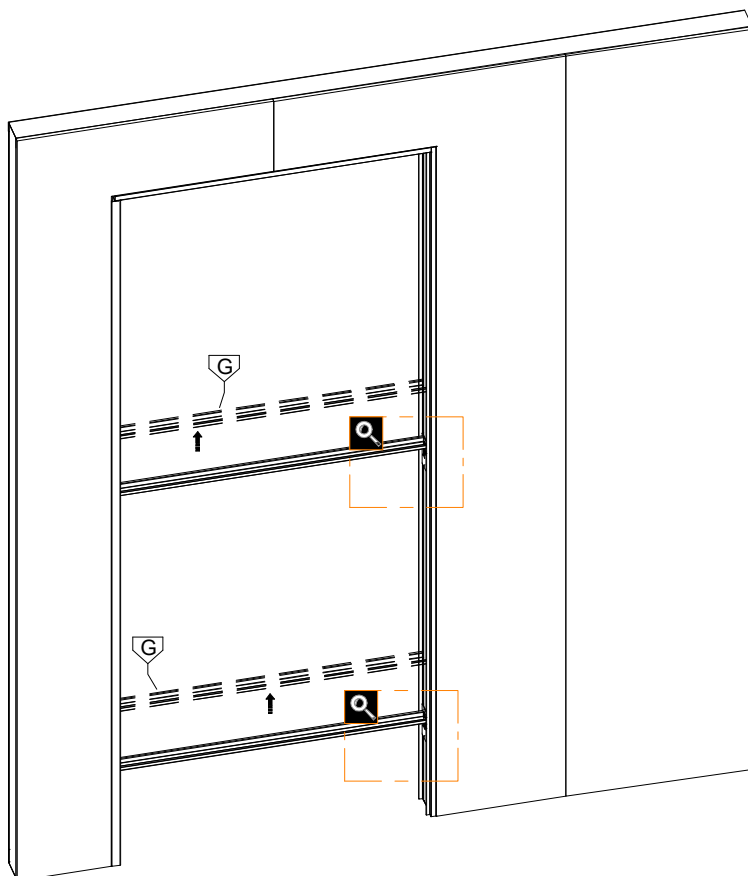


3.2

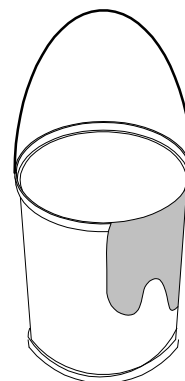
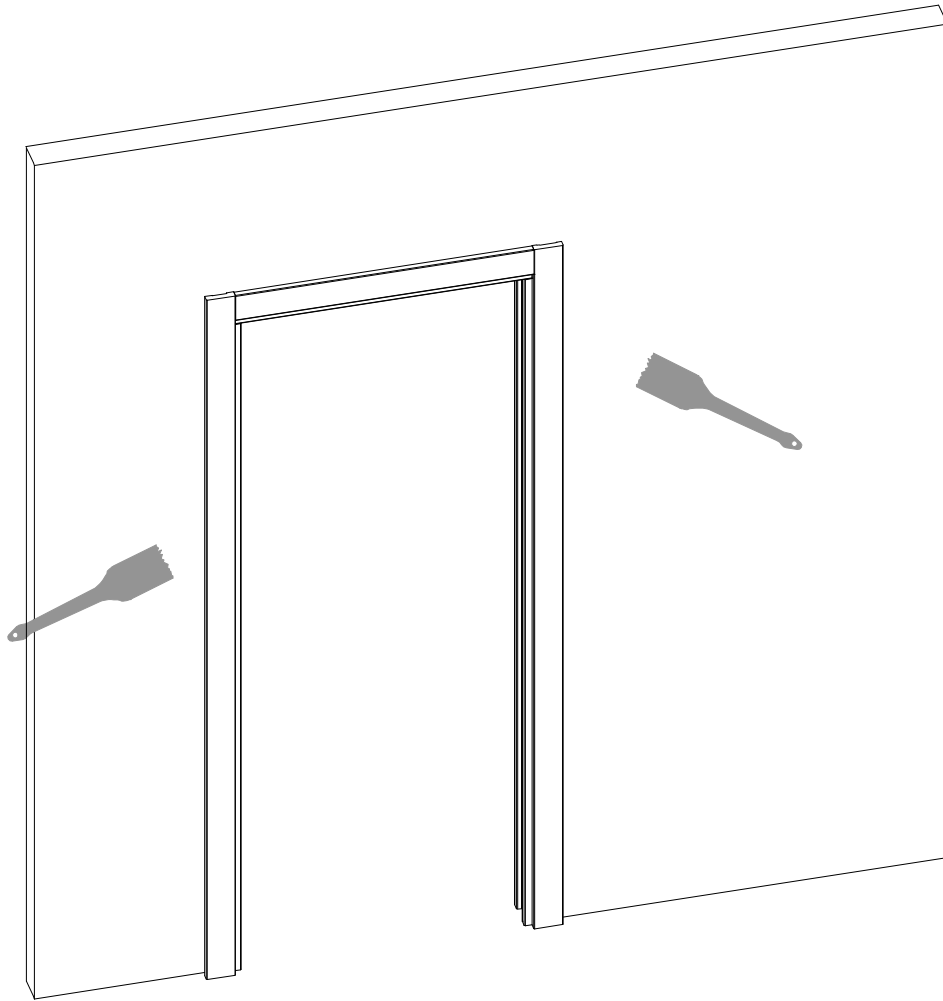


Subject to misprints, errors and technical modifications.
All dimensions are in mm

3.3



3.4



PAINT



T. +39 (0)883535781



info@ermetika.it



www.ermetika.it



www.youtube/ermetika.it