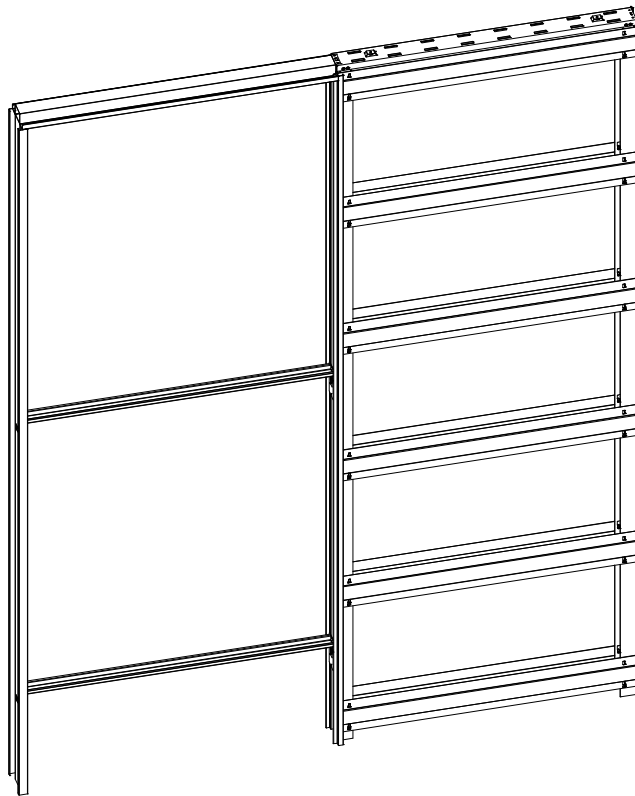


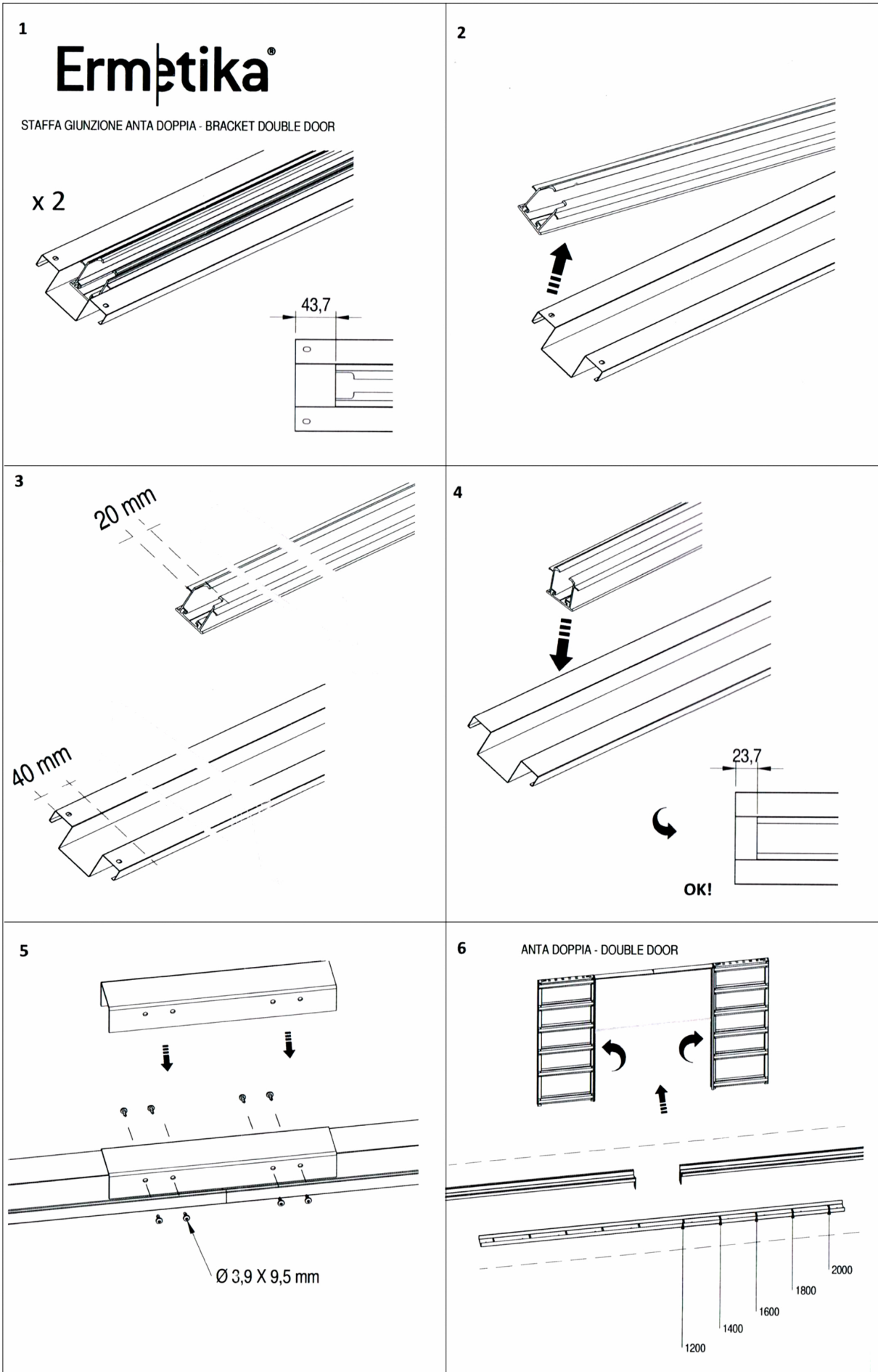
Ermetika[®]
INSIDE WALLS



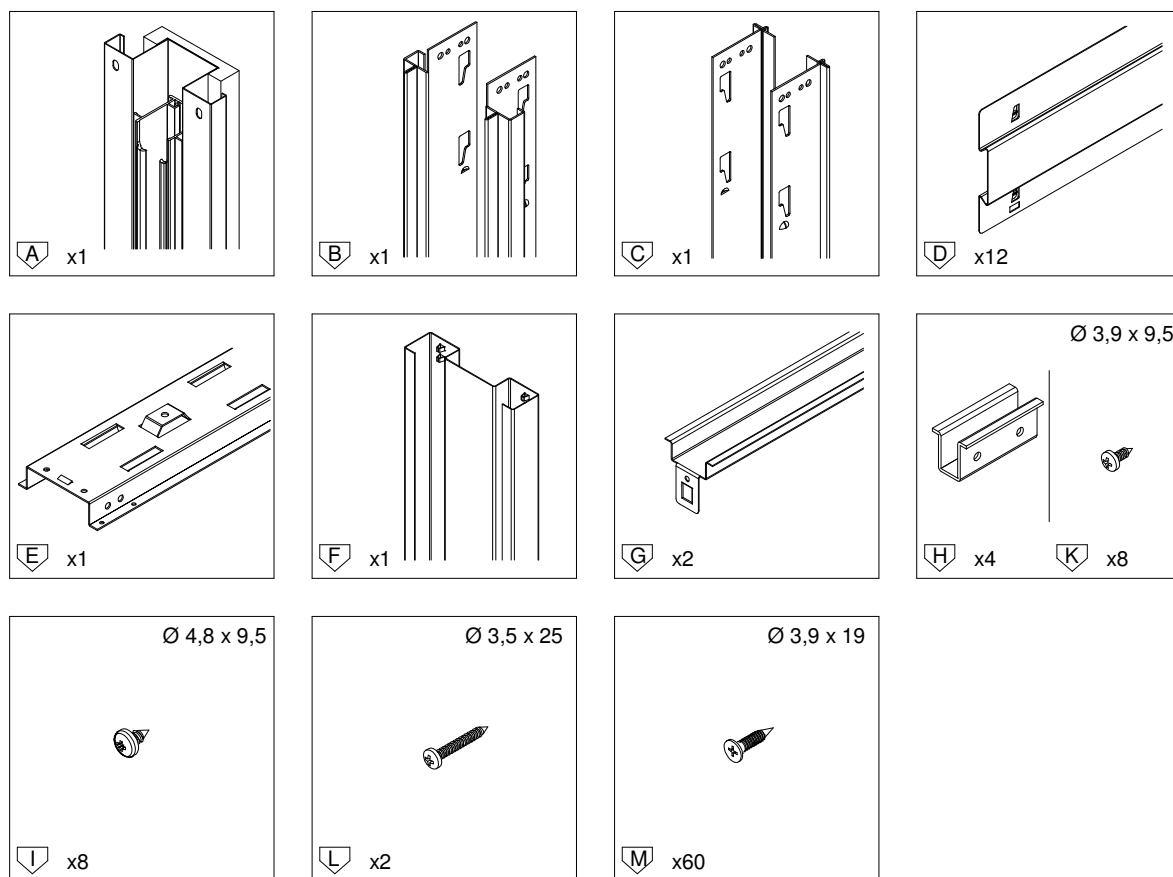
SETUP INSTRUCTION

Evokit Double

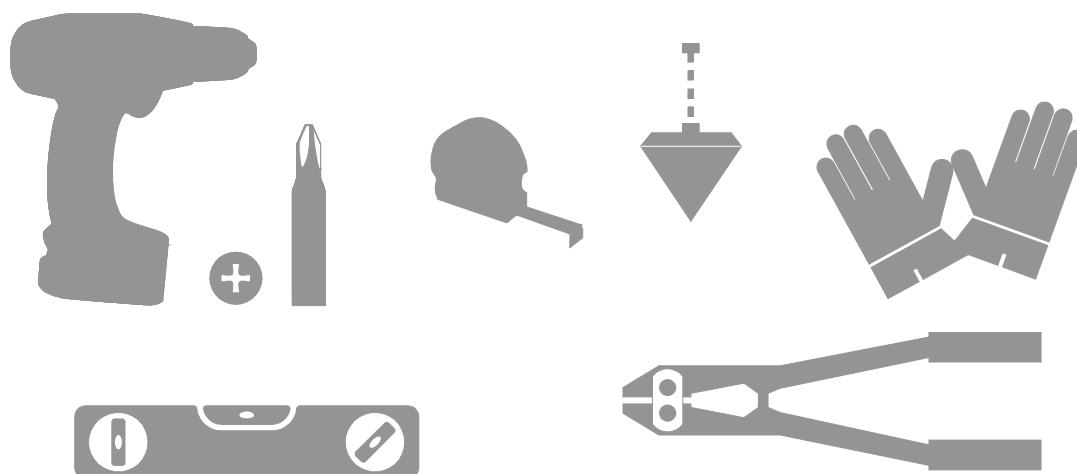
Cutting instructions for double pocket door junction bar. READ THIS INSTRUCTIONS FIRST.
Follow [this link](#) to the video guide of junction bar installation



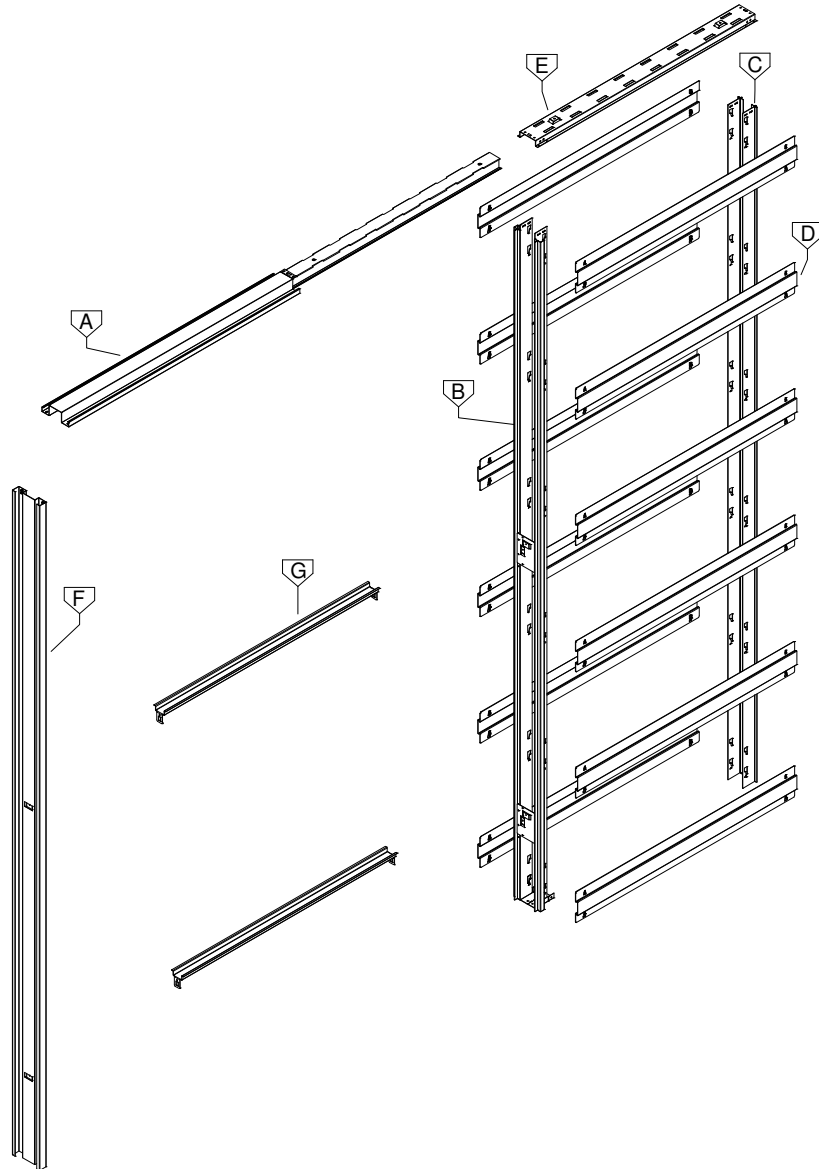
Standard equipment



Tools



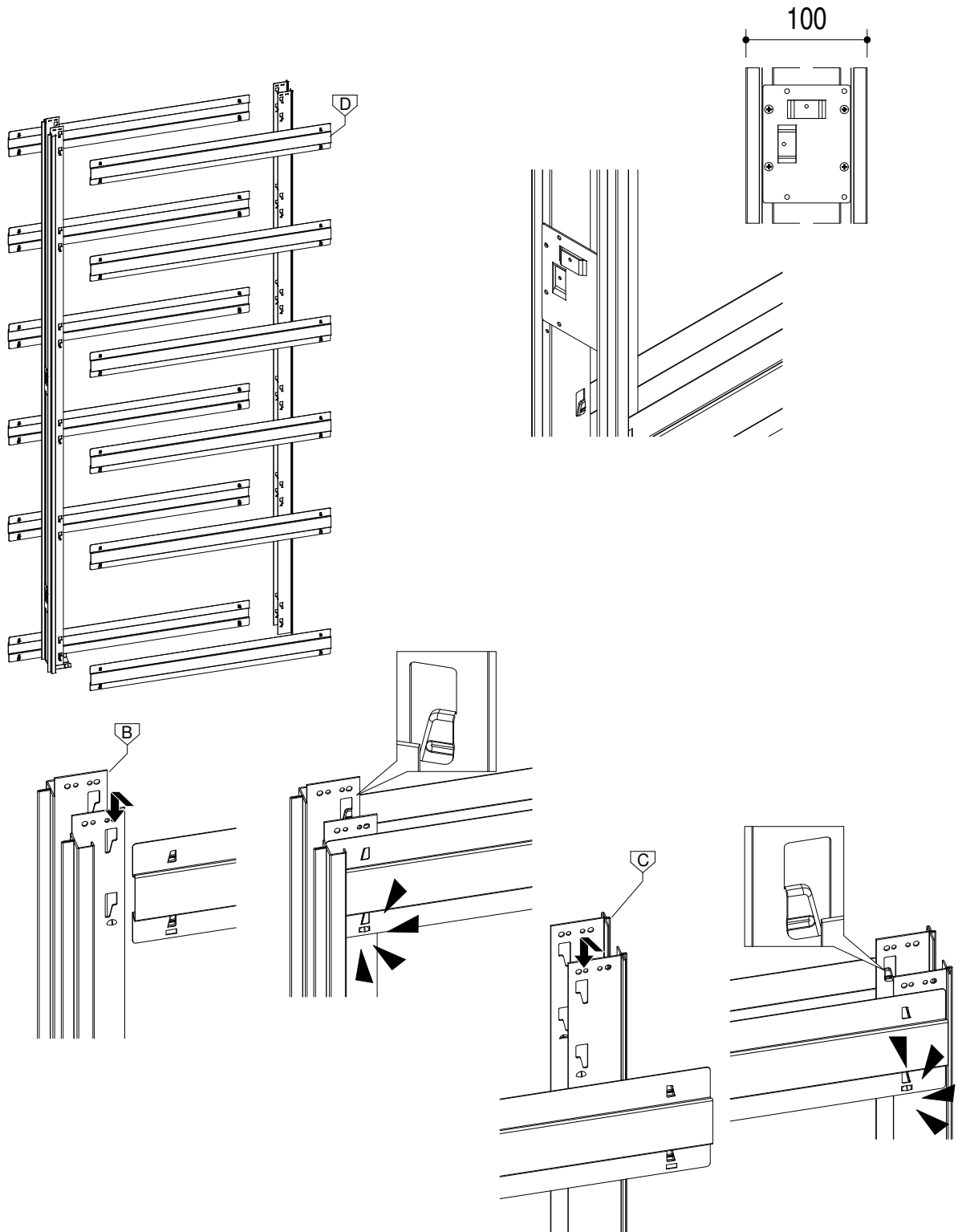
Overall view



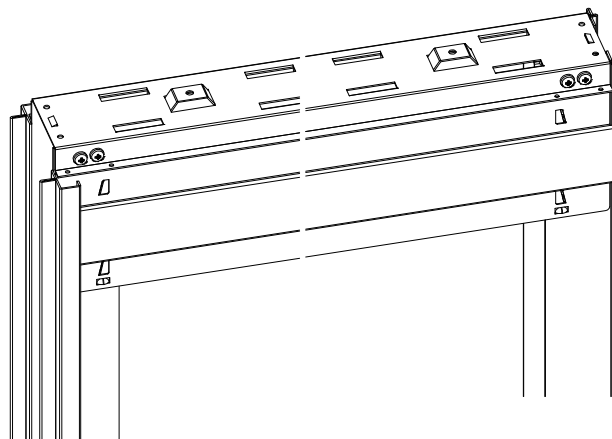
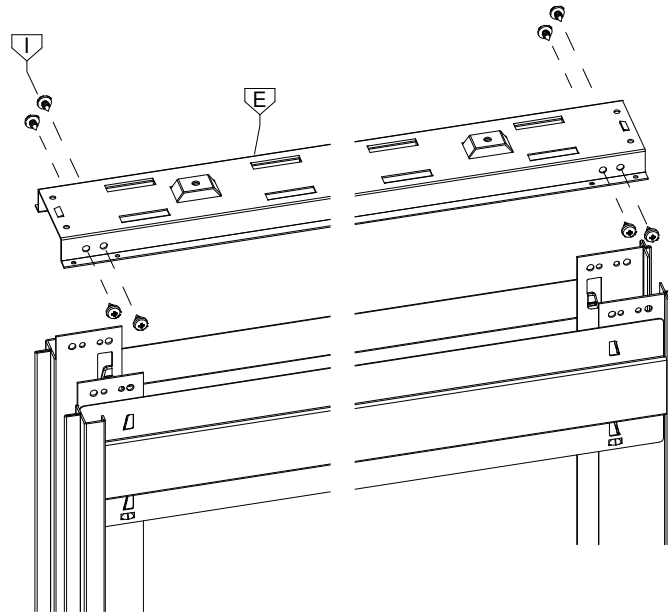
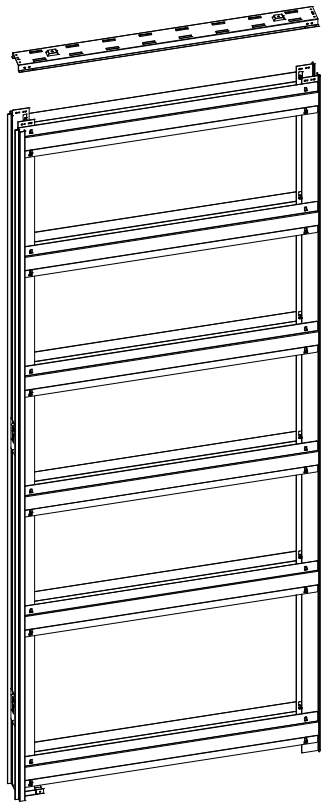
INDEX

Setup for 100 finished wall	3-6
Setup for 125 finished wall	7-10
Setup plasterboard	11-13

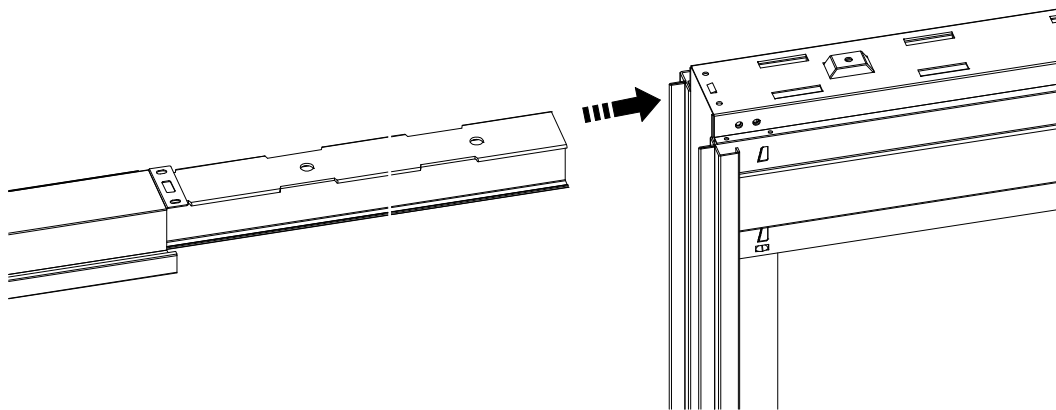
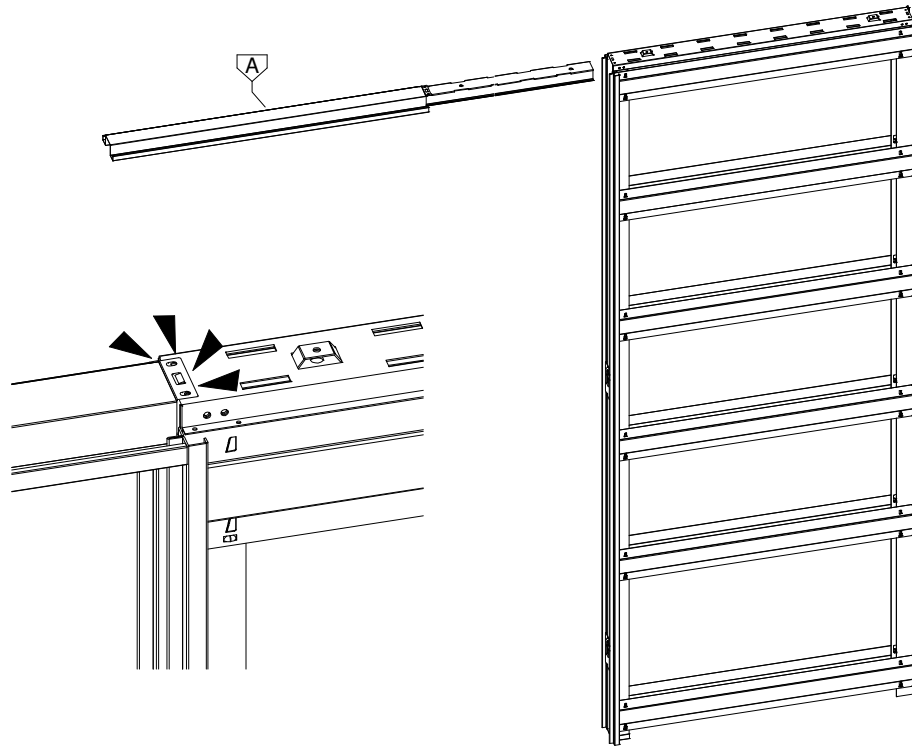
1.1



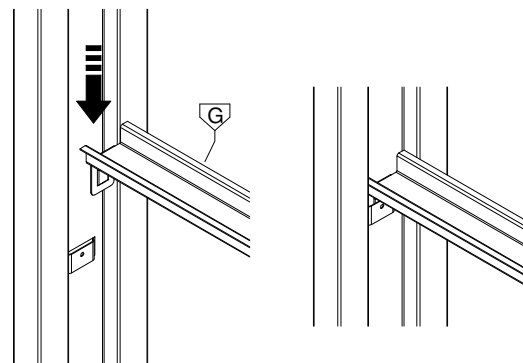
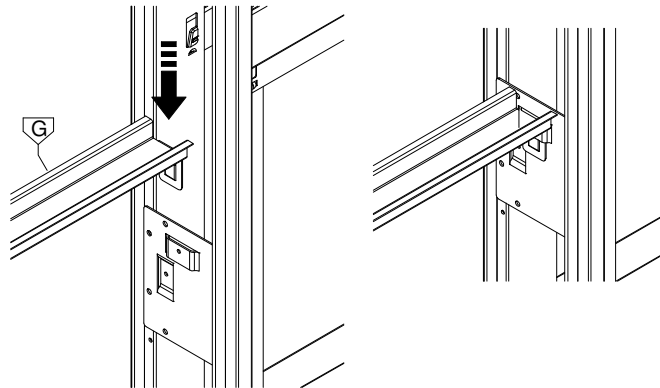
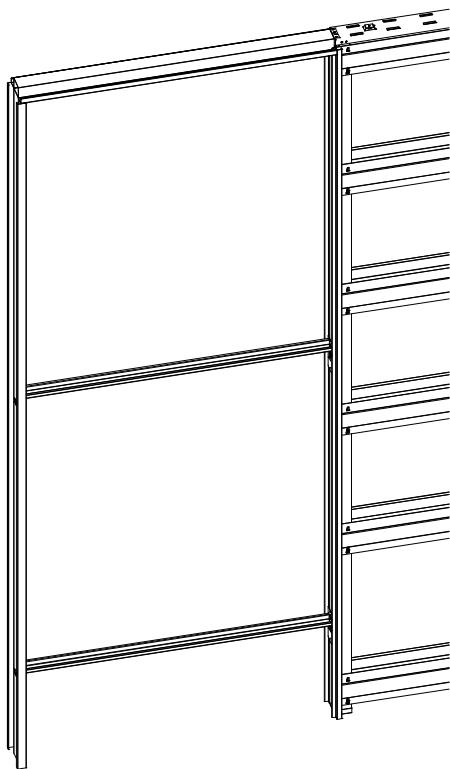
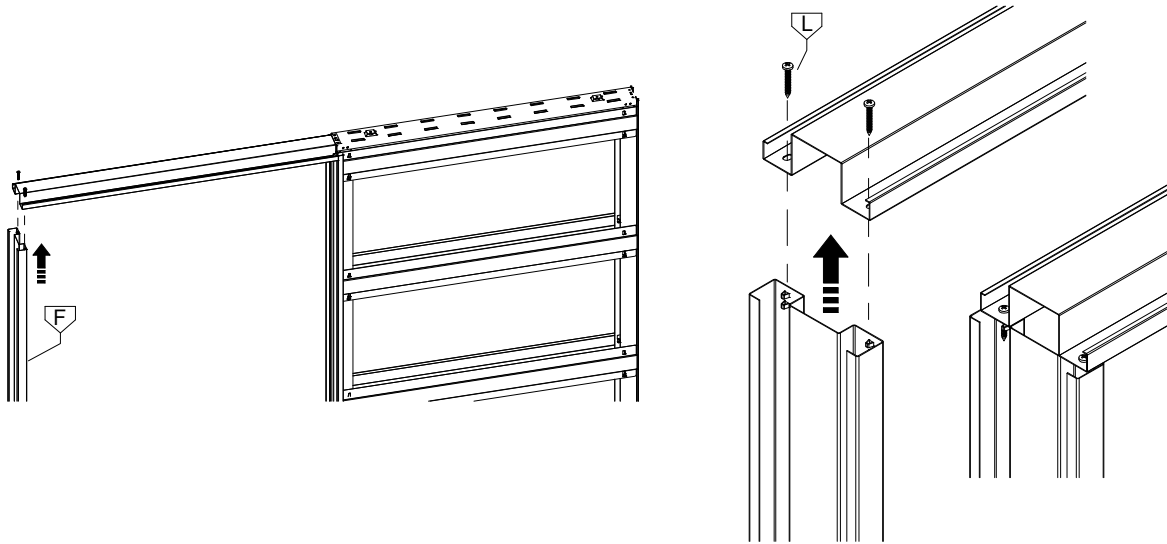
1.2



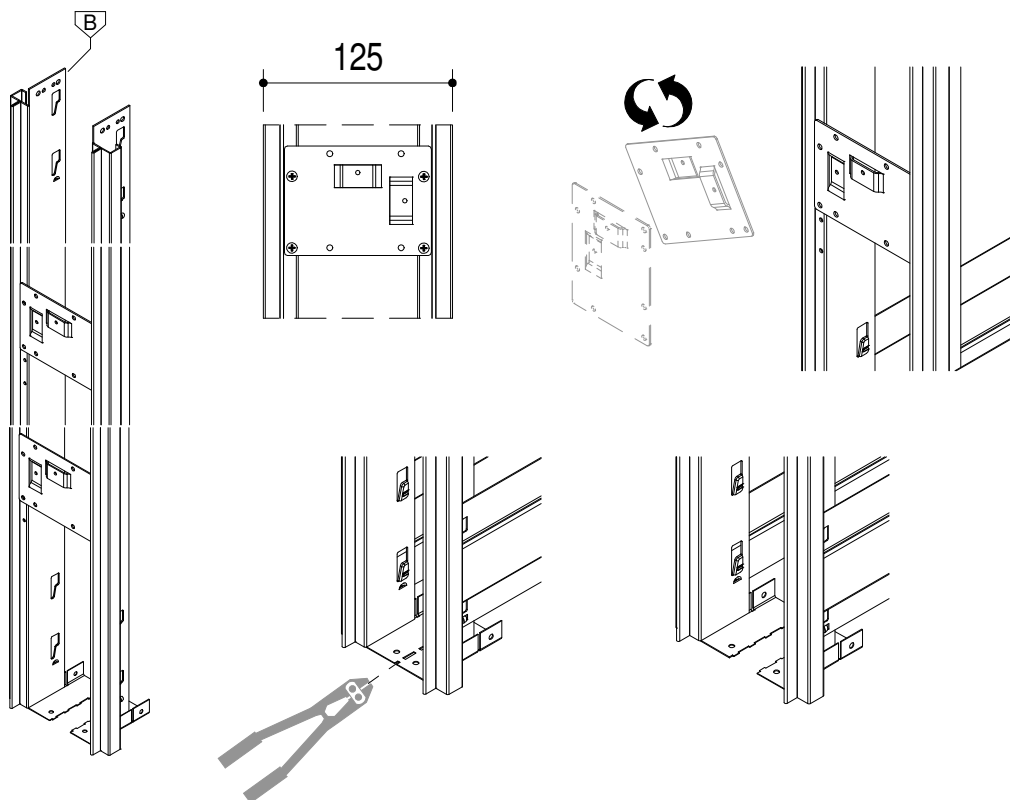
1.3



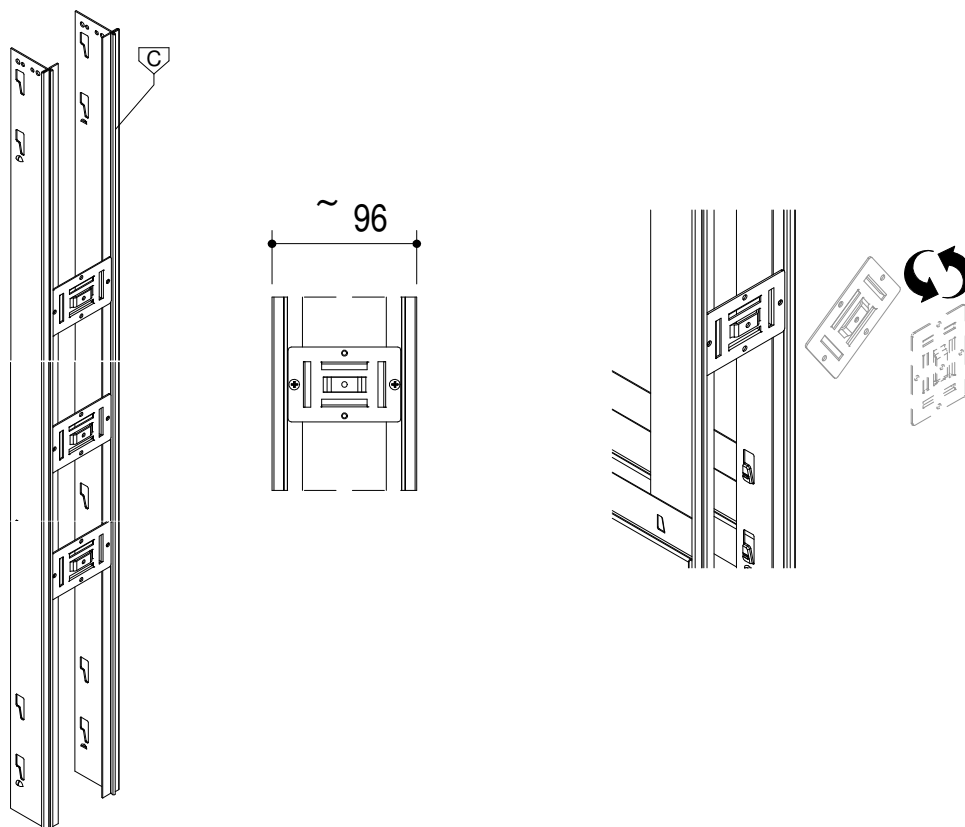
1.4



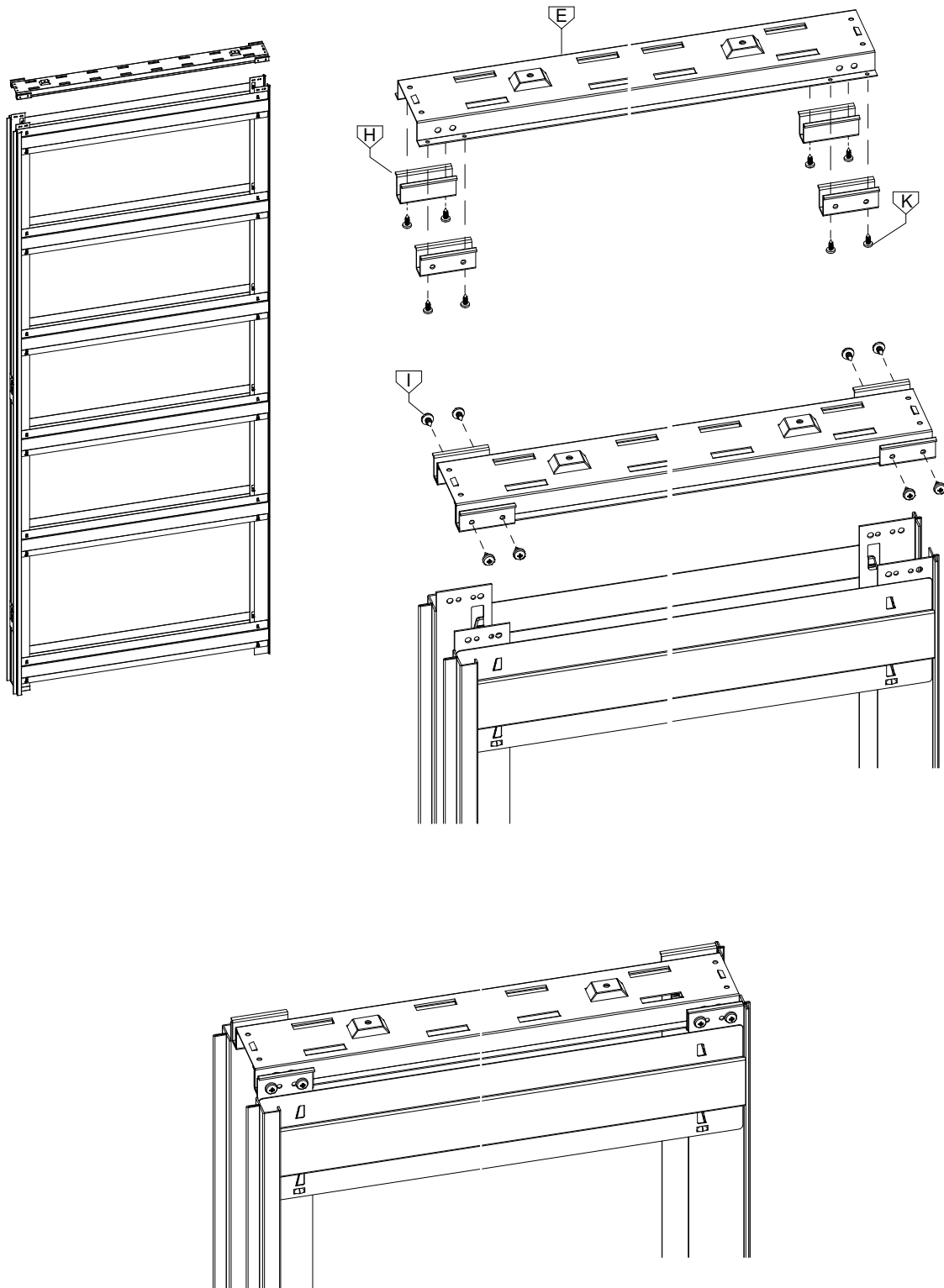
2.1



2.2

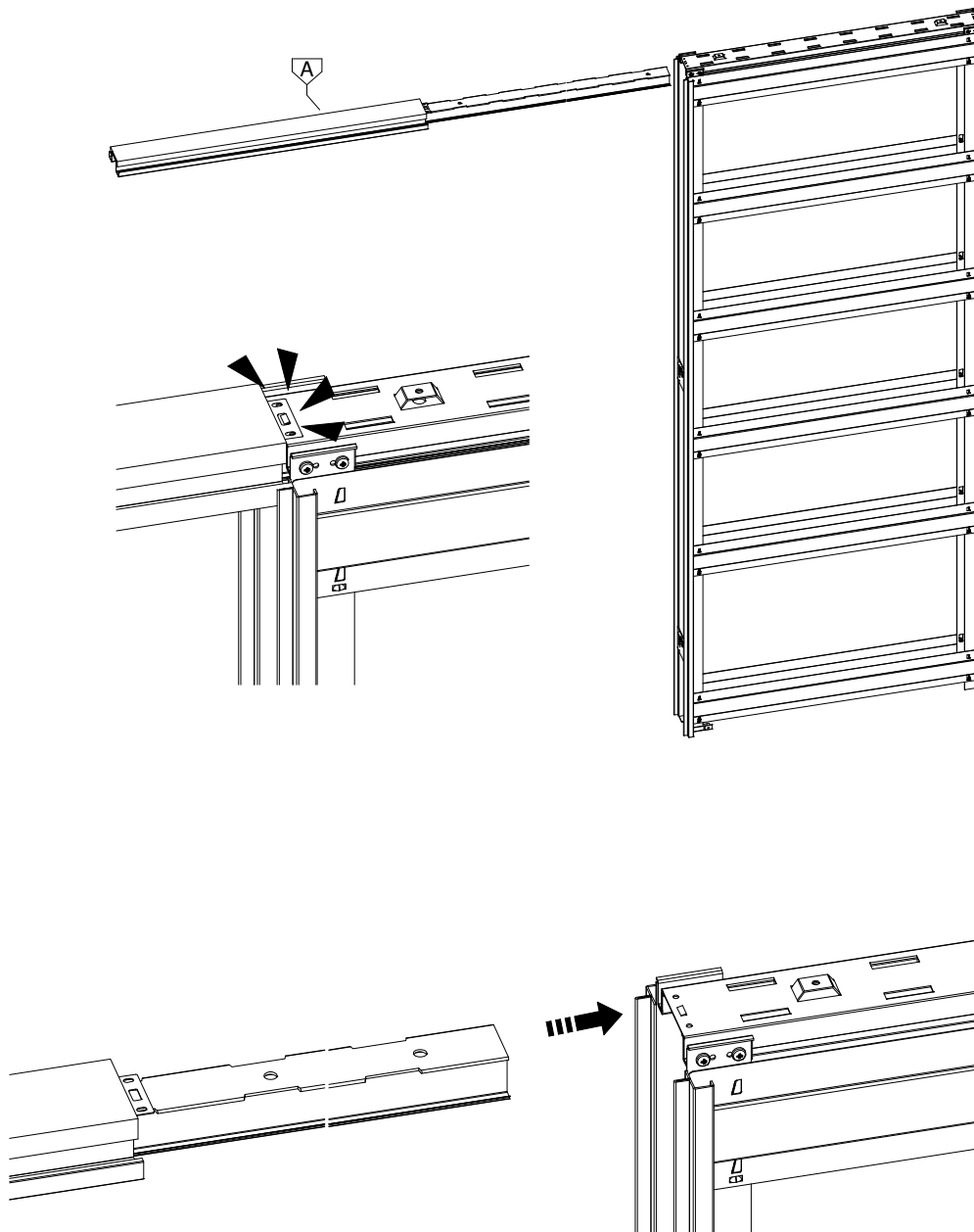


2.3

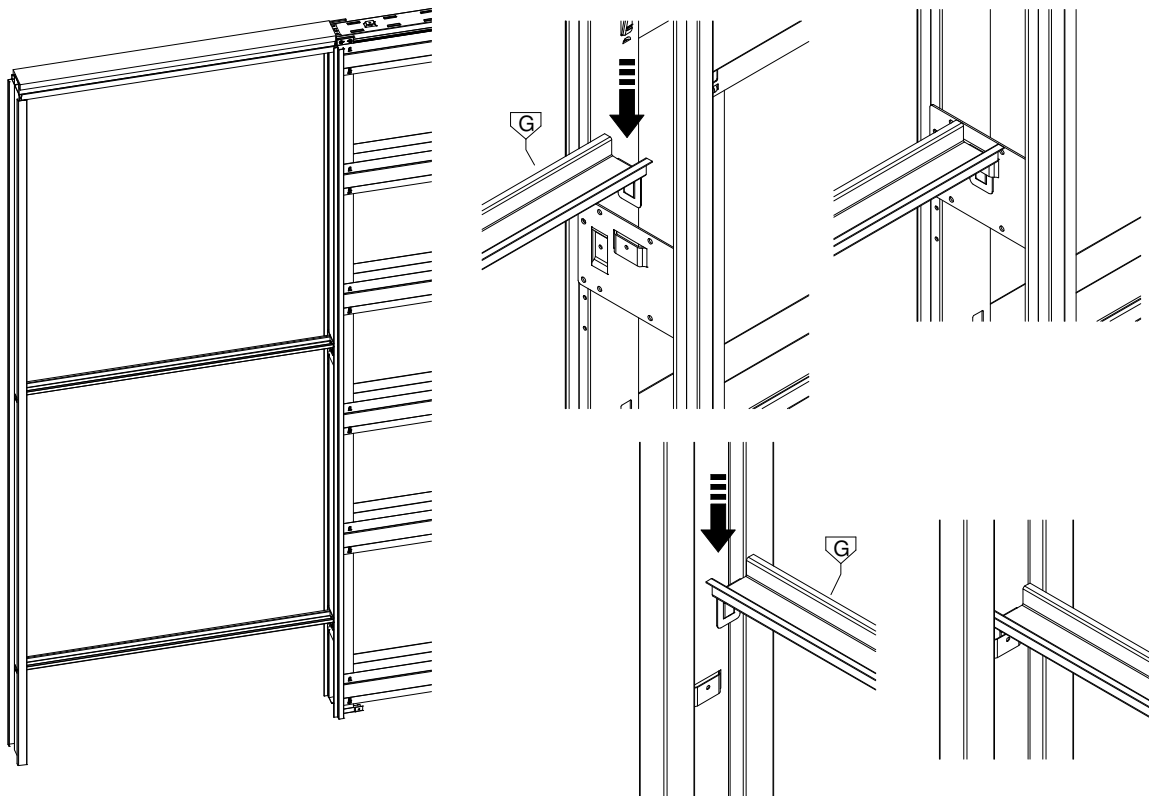
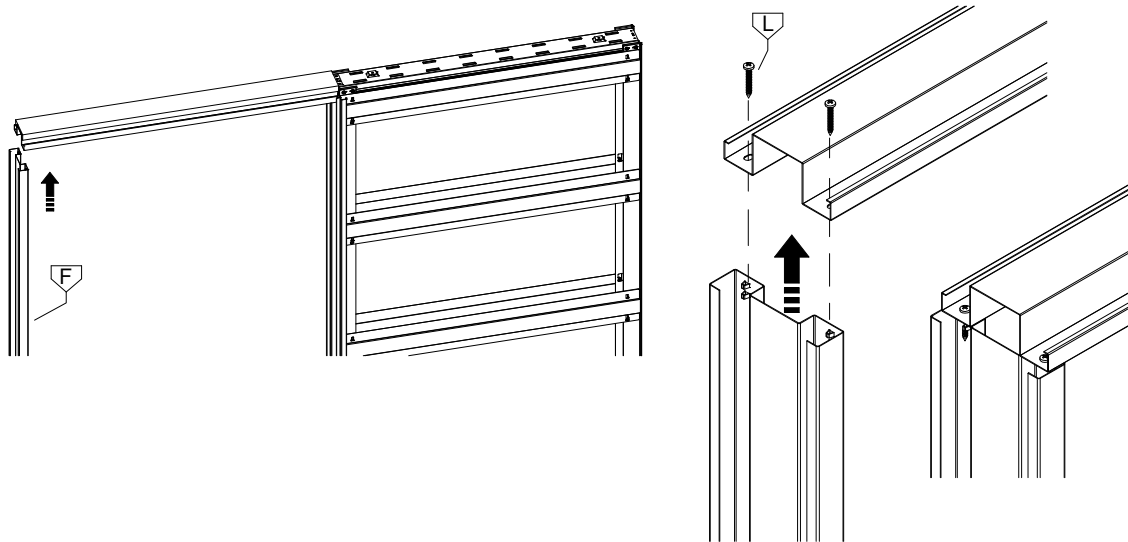


Subject to misprints, errors and technical modifications.
All dimensions are in mm

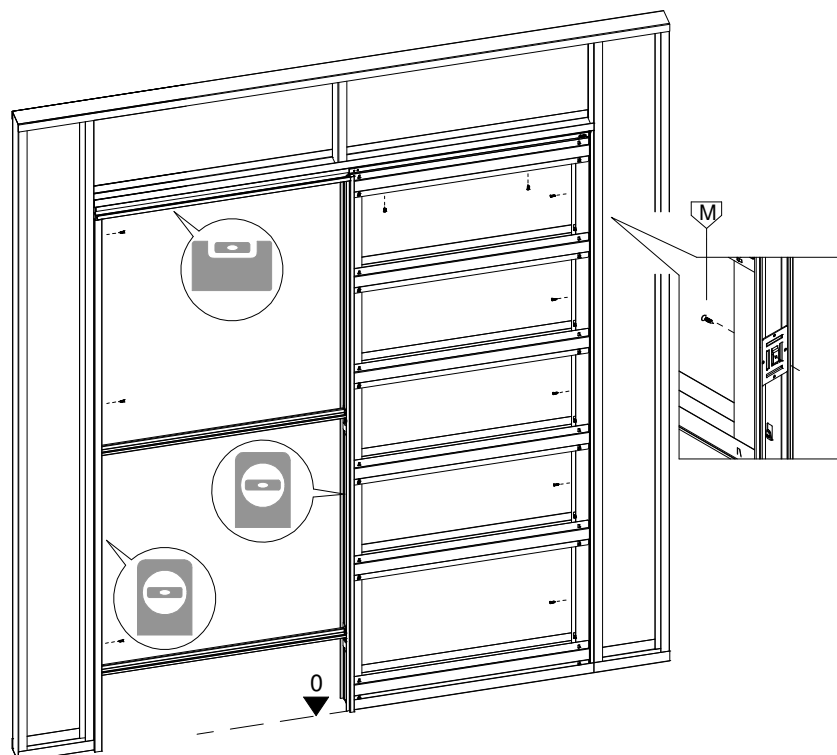
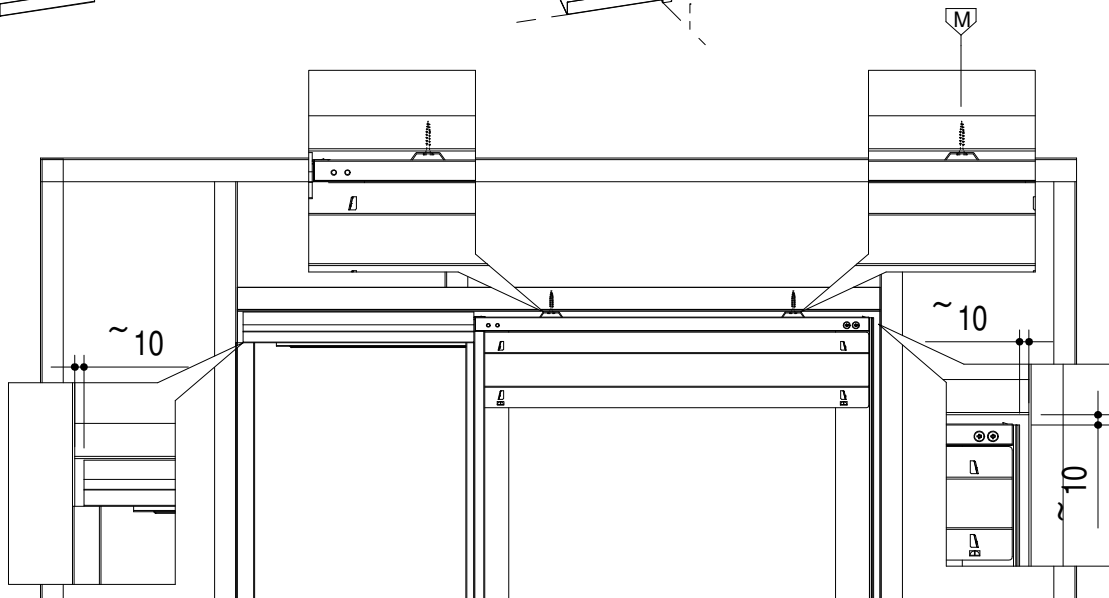
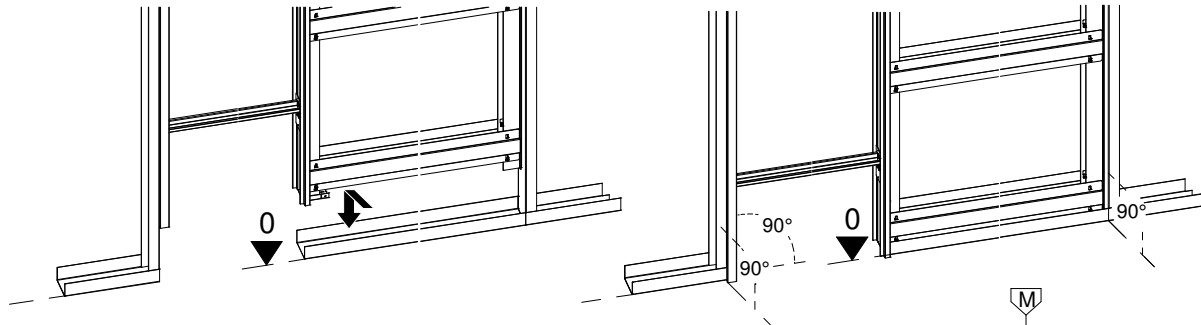
2.4



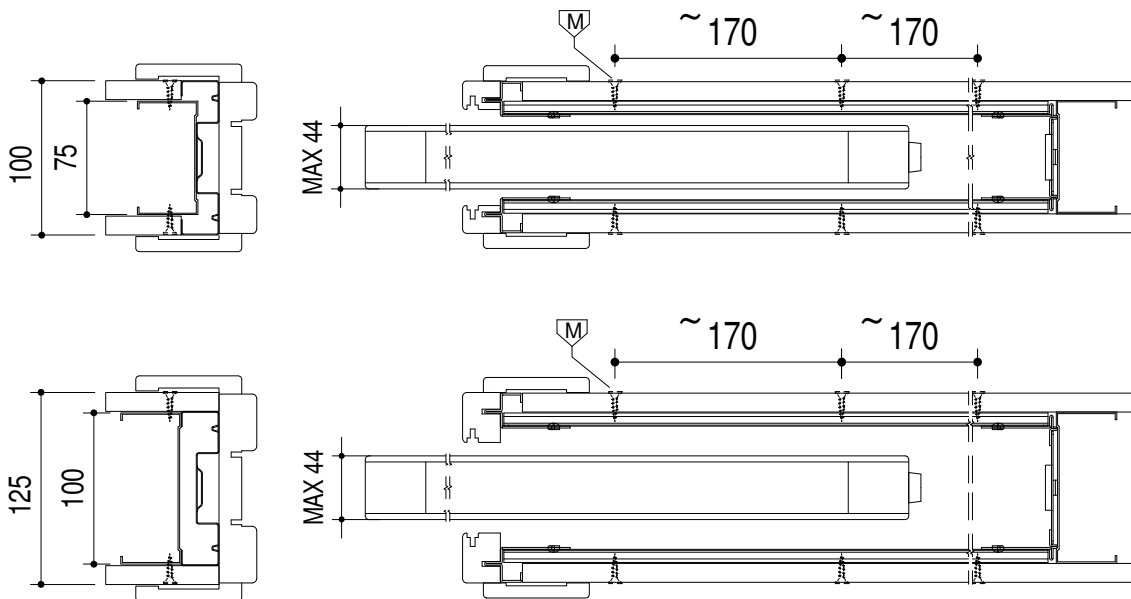
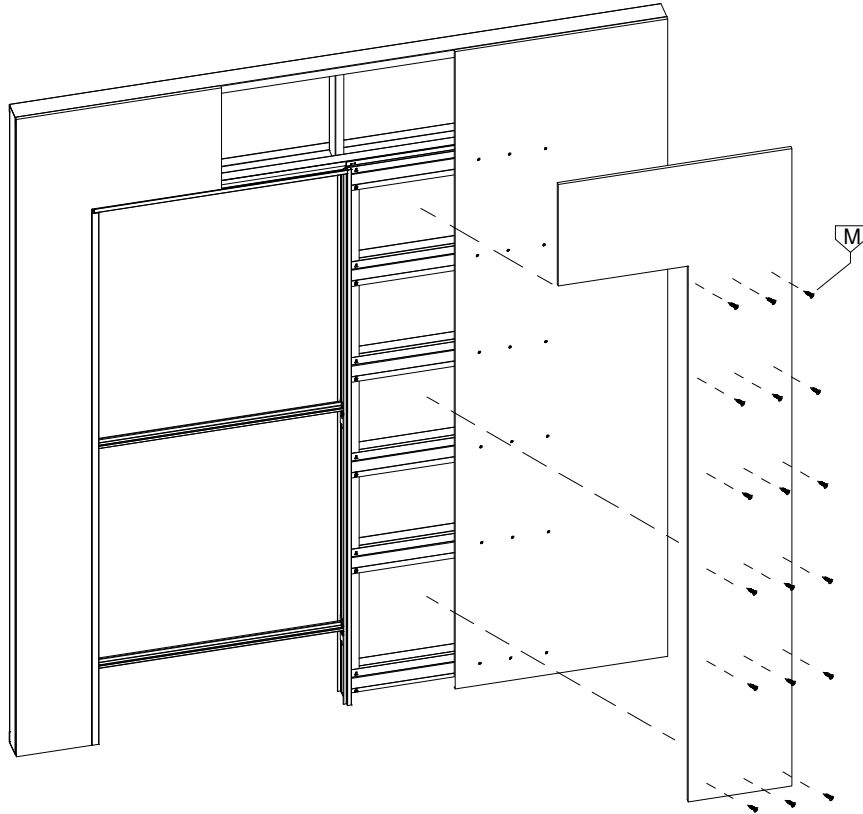
2.5



3.1

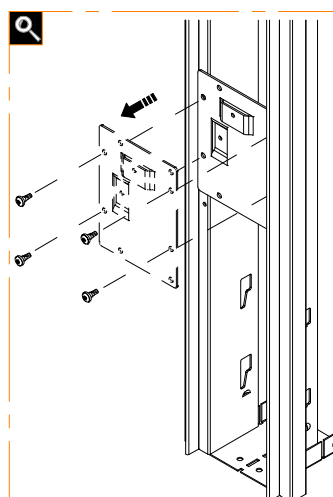
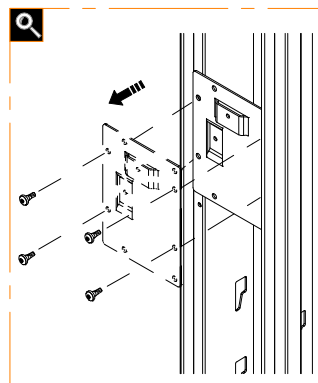
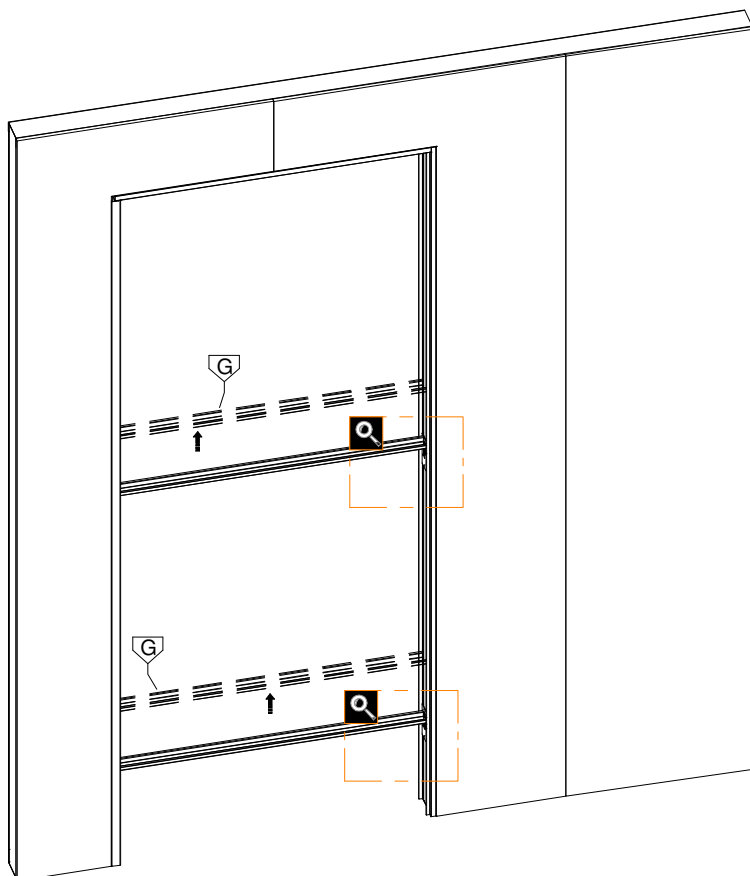


3.2

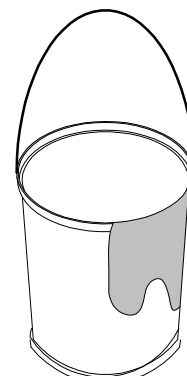
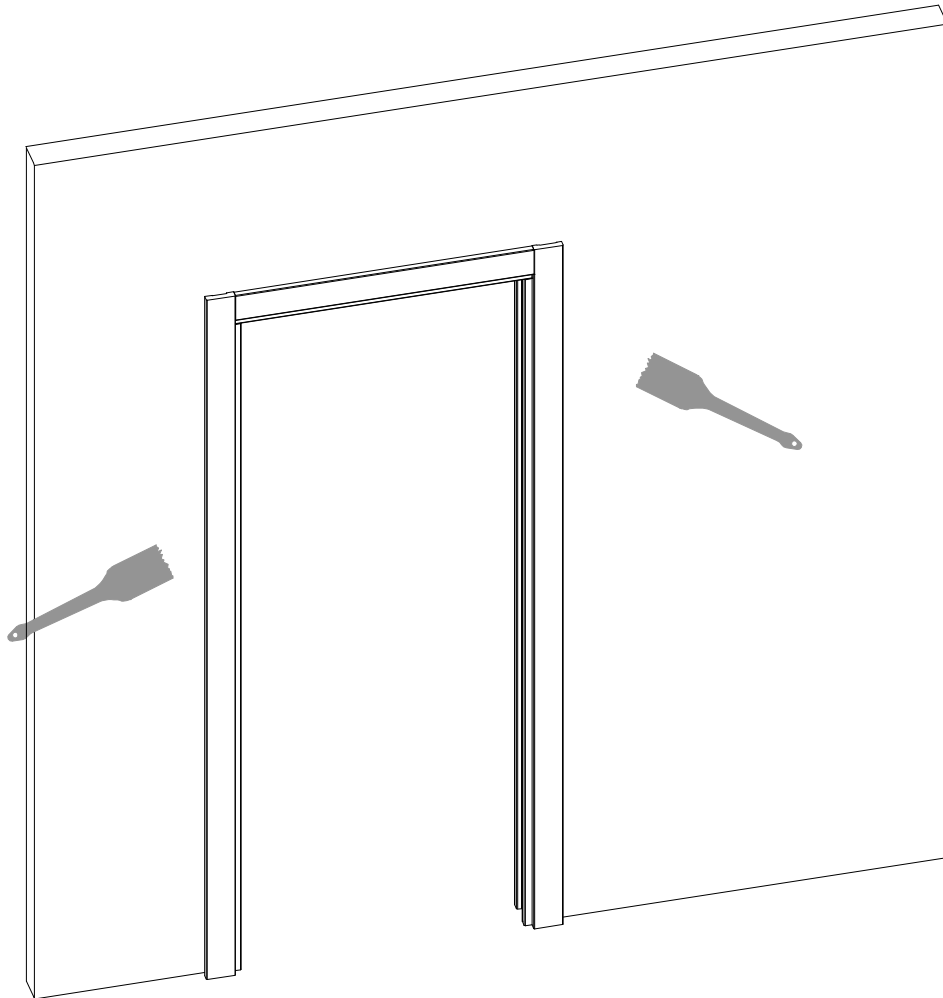


Subject to misprints, errors and technical modifications.
All dimensions are in mm

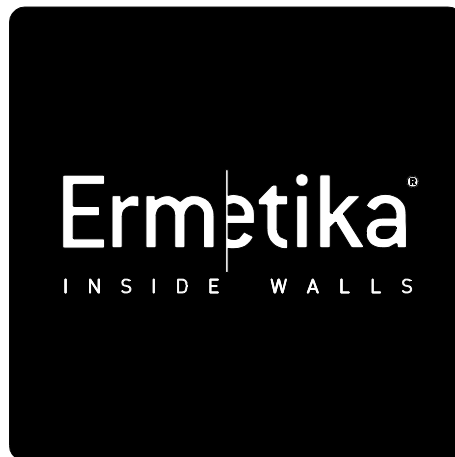
3.3



3.4



PAINT



T. +39 (0)883535781



info@ermetika.it



www.ermetika.it



www.youtube/ermetika.it