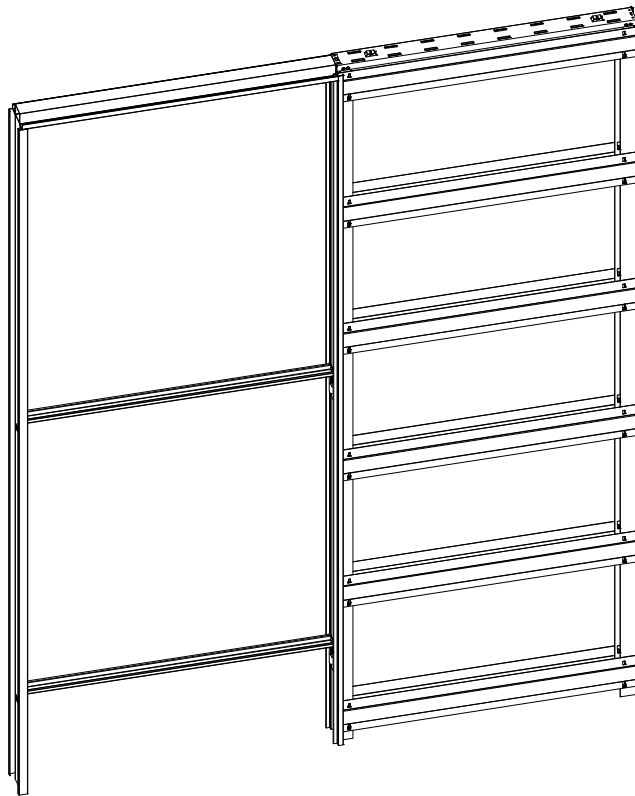


**Ermetika**<sup>®</sup>  
INSIDE WALLS



**SETUP INSTRUCTION**

**Evokit Double**

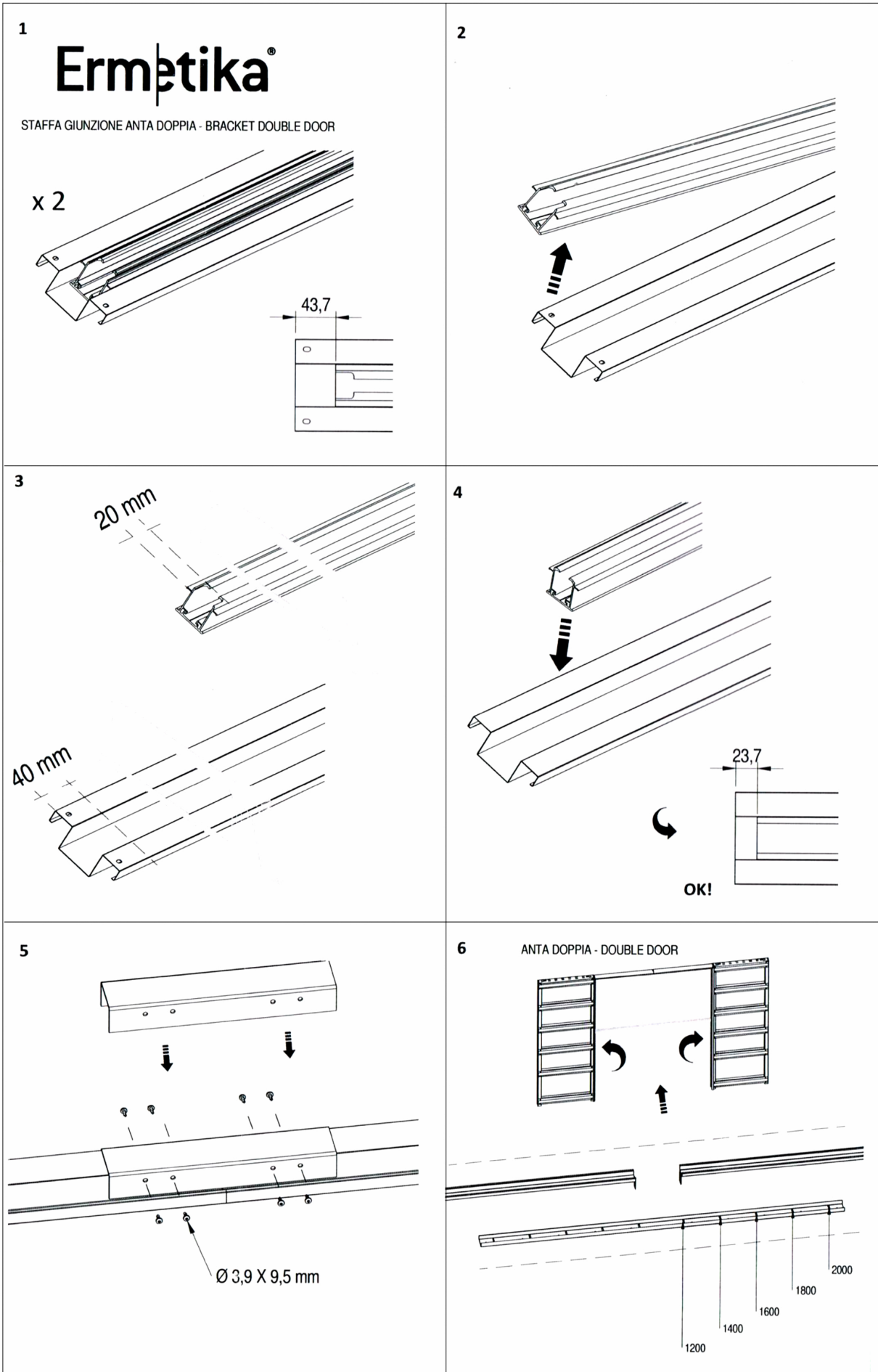


## INDEX

---

<b>Setup for 100 finished wall.....</b>	<b>3 - 6</b>
<b>Setup for 125 finished wall.....</b>	<b>7 - 10</b>
<b>Setup plasterboard.....</b>	<b>11 - 13</b>

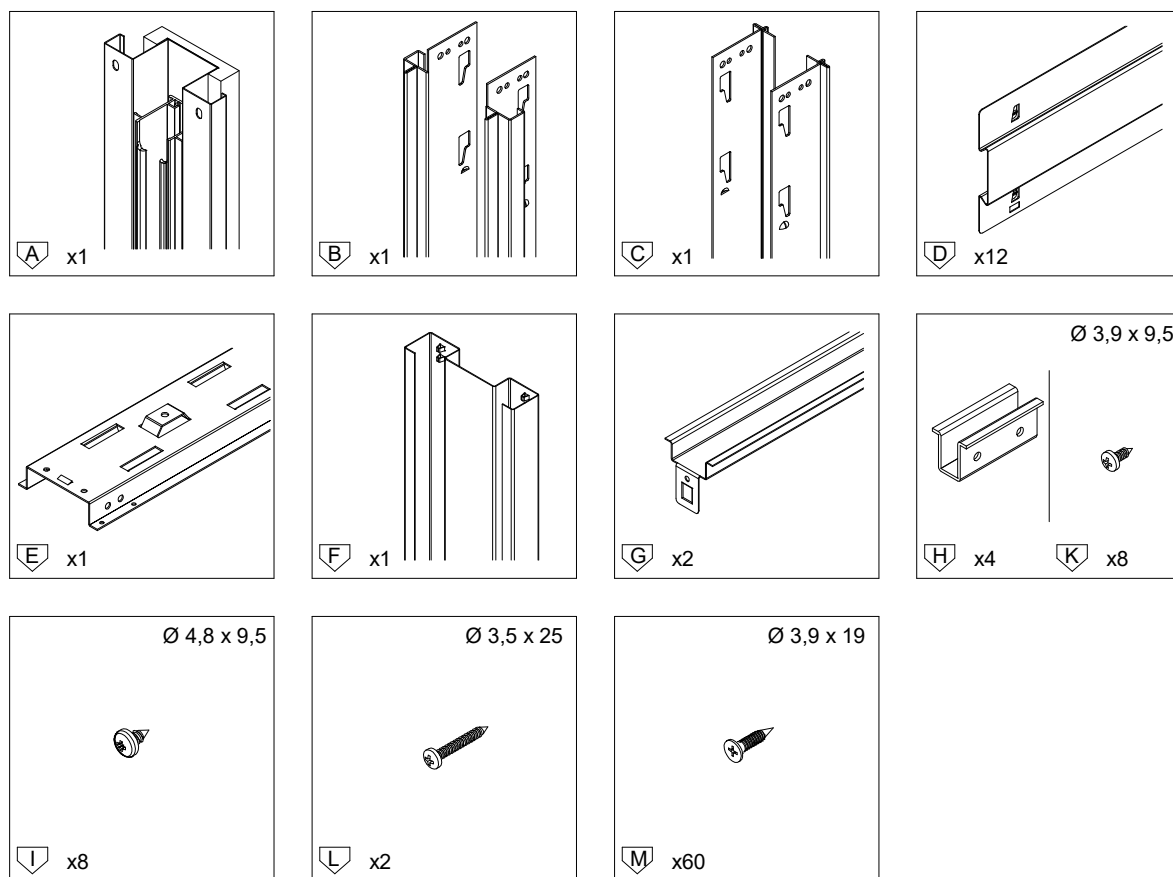
Cutting instructions for double pocket door junction bar. READ THIS INSTRUCTIONS FIRST.  
Follow [this link](#) to the video guide of junction bar installation



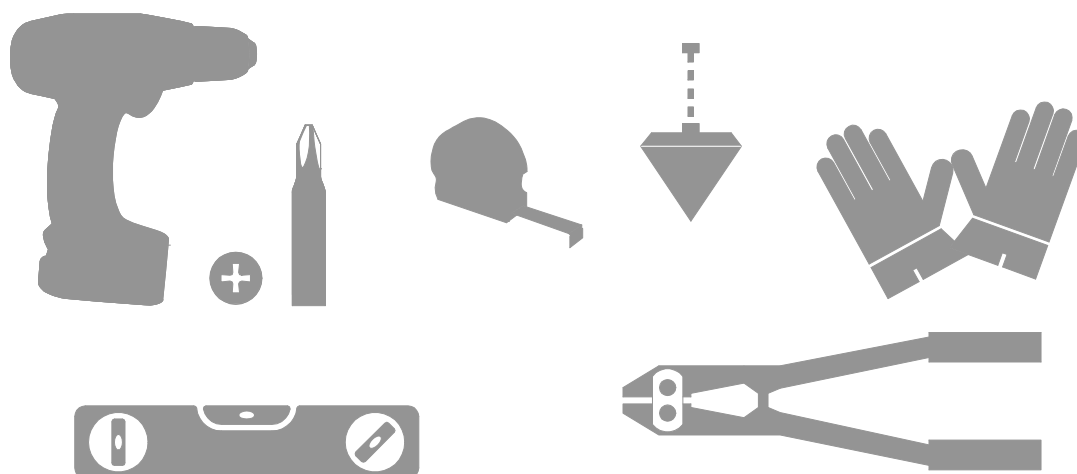
# CONTENTS



## Standard equipment

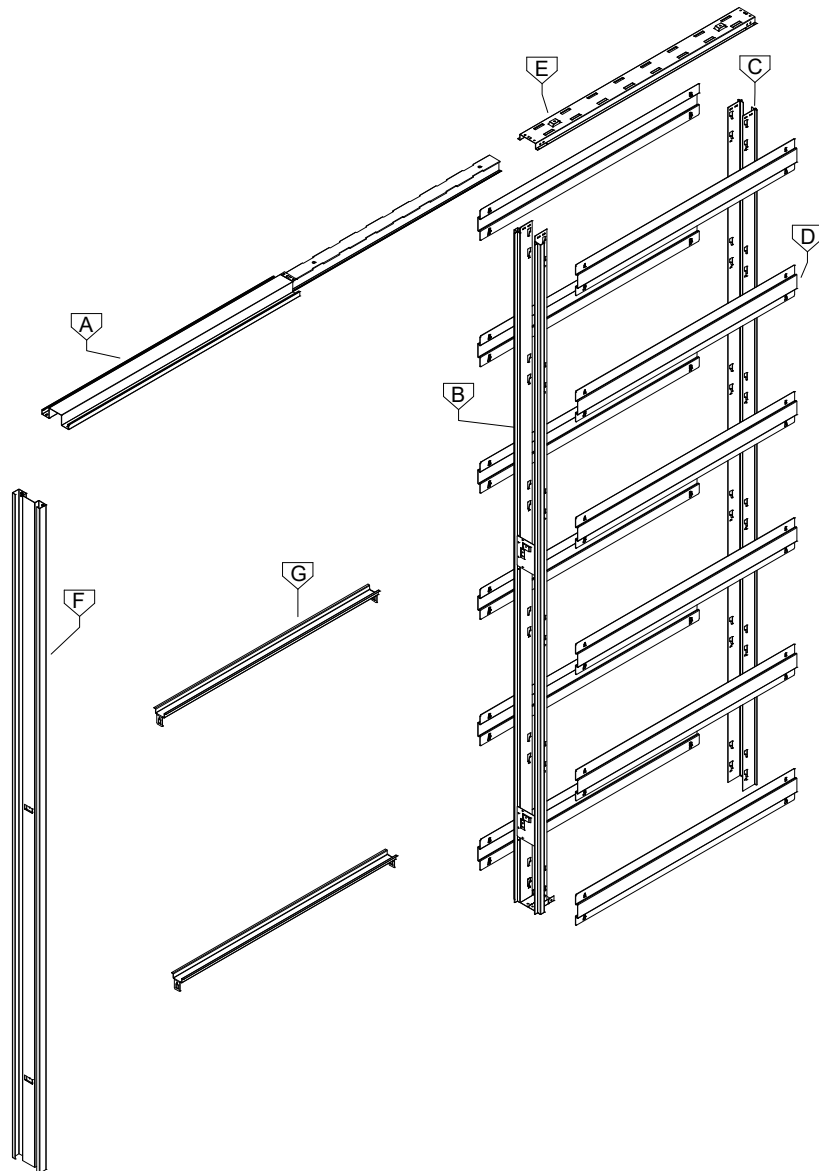


## Tools

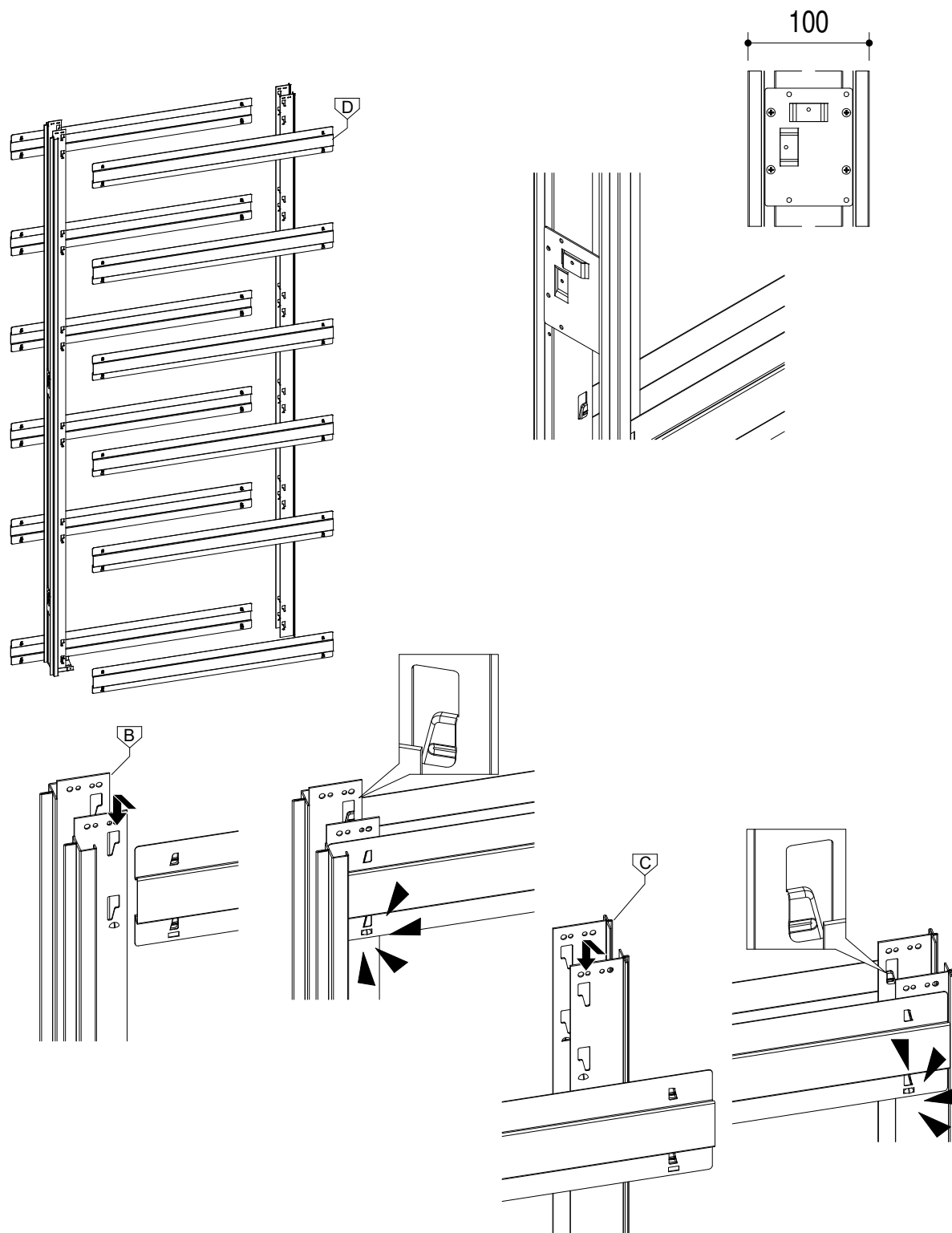


Overall view

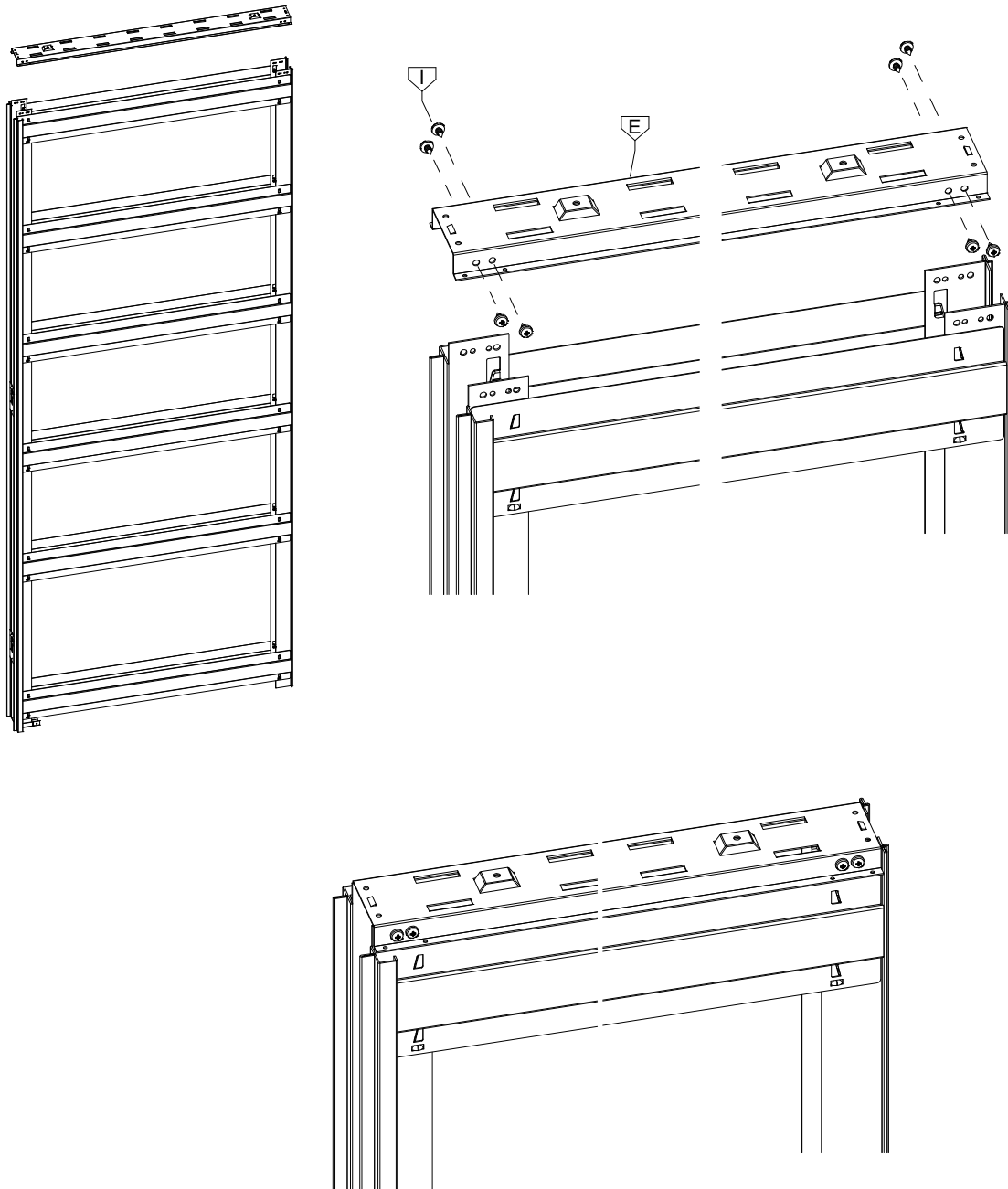
---



## 1.1

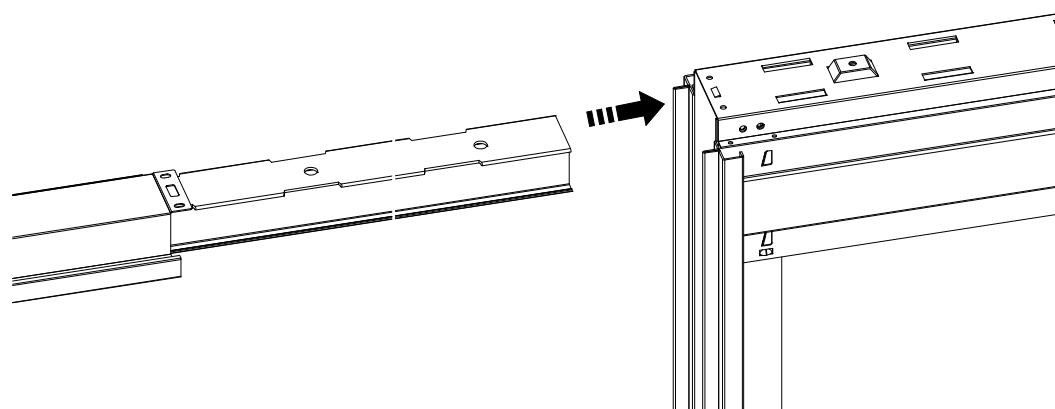
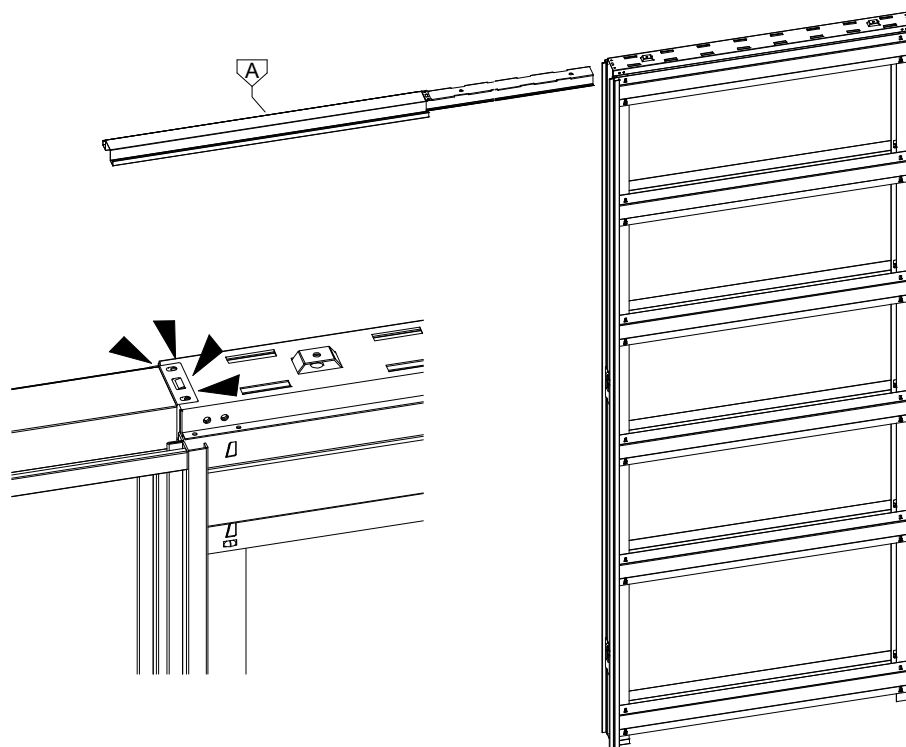


1.2



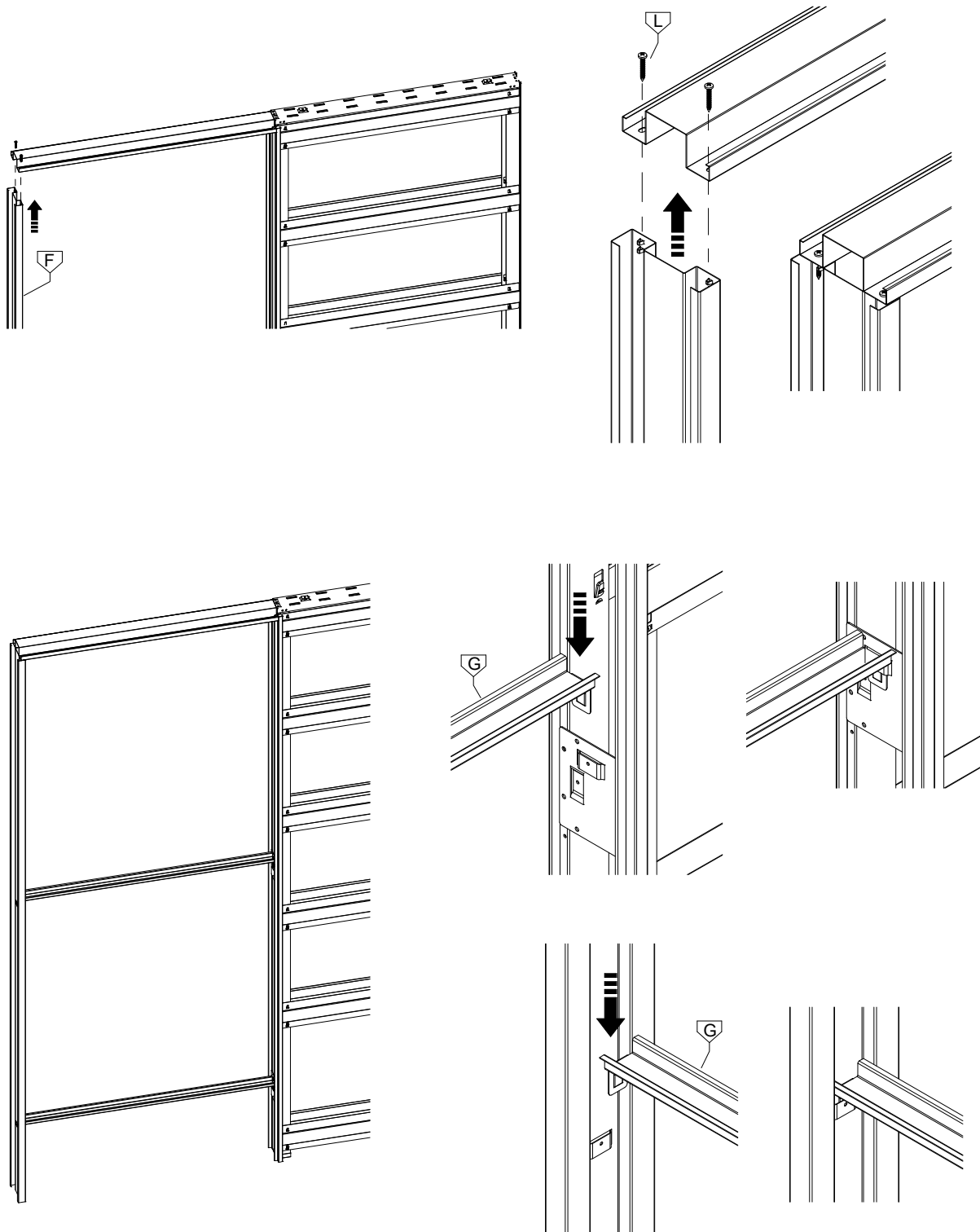
1.3

---



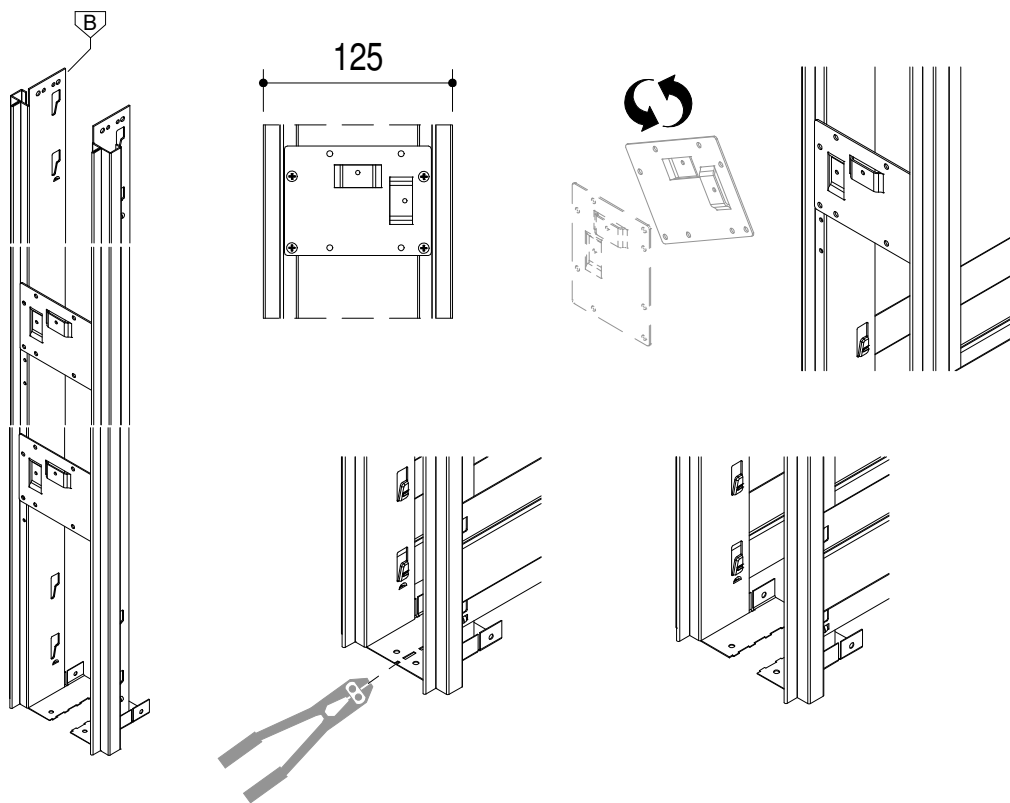


1.4

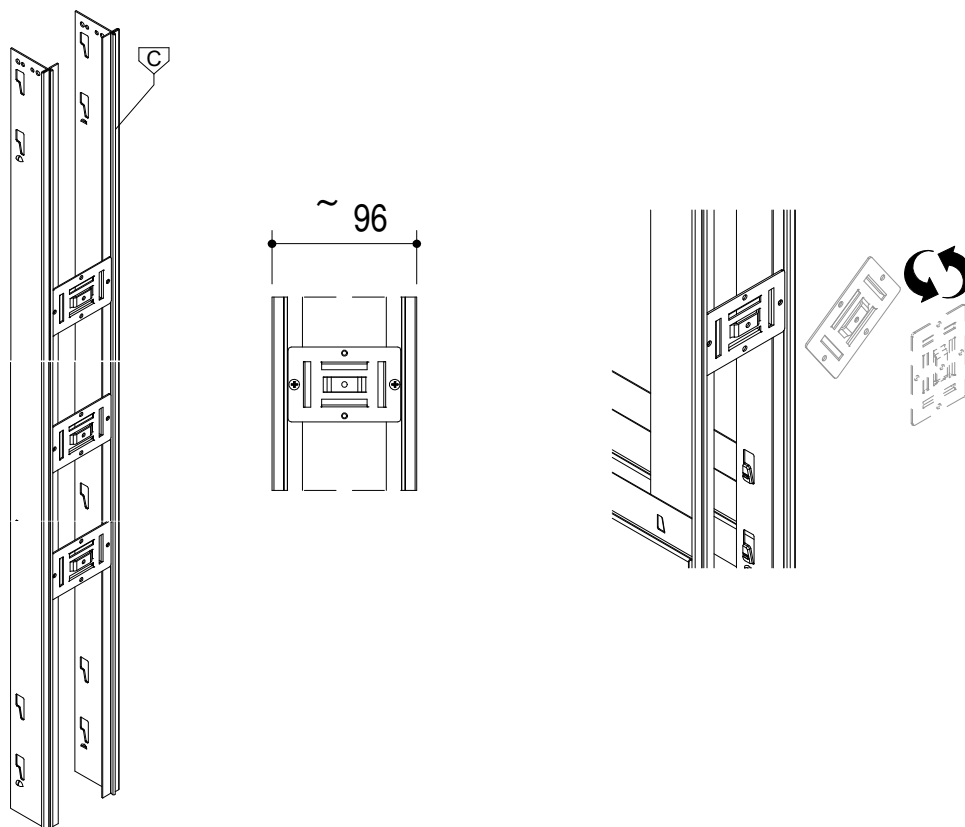


Subject to misprints, errors and technical modifications.  
All dimensions are in mm

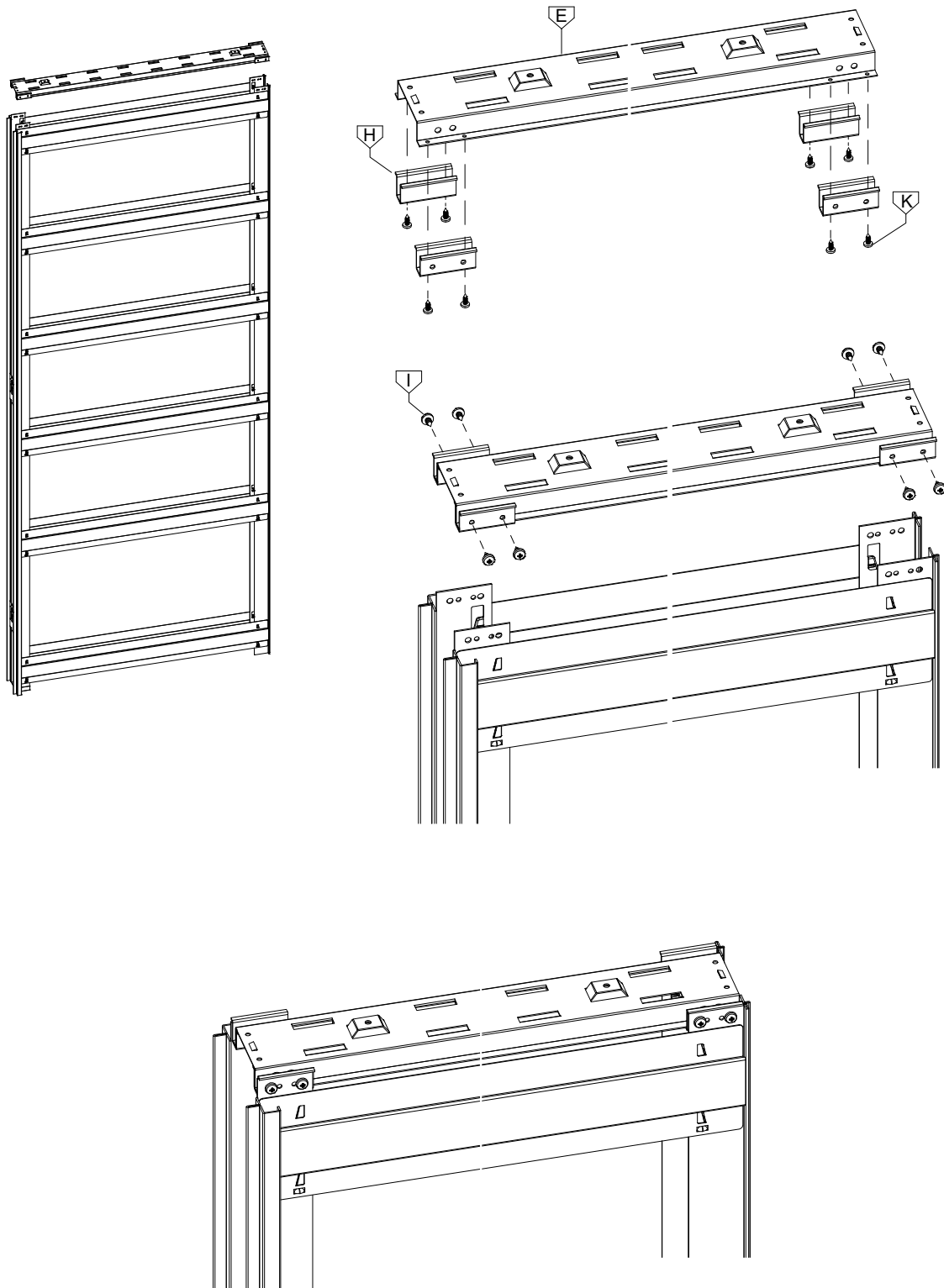
2.1



2.2



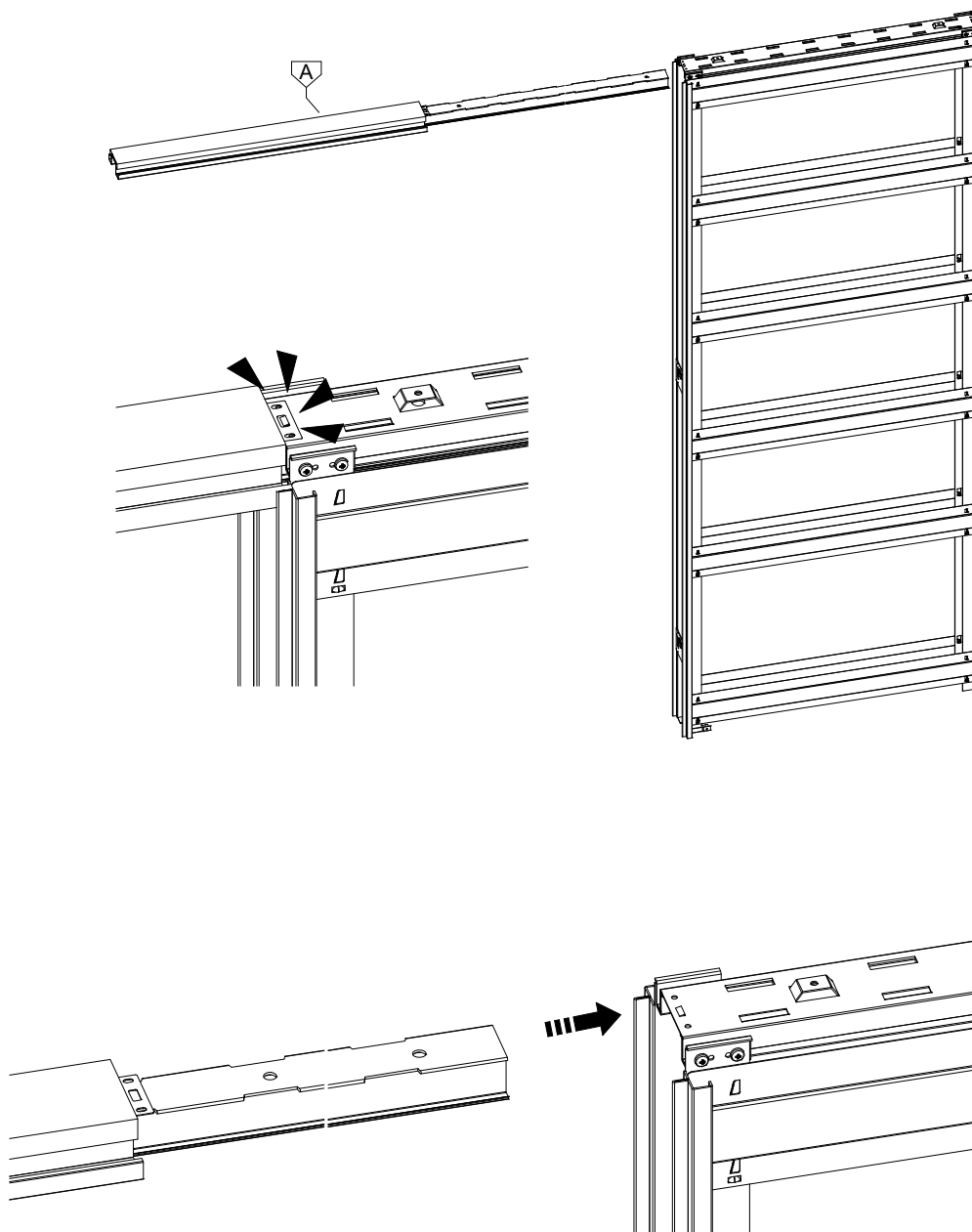
2.3



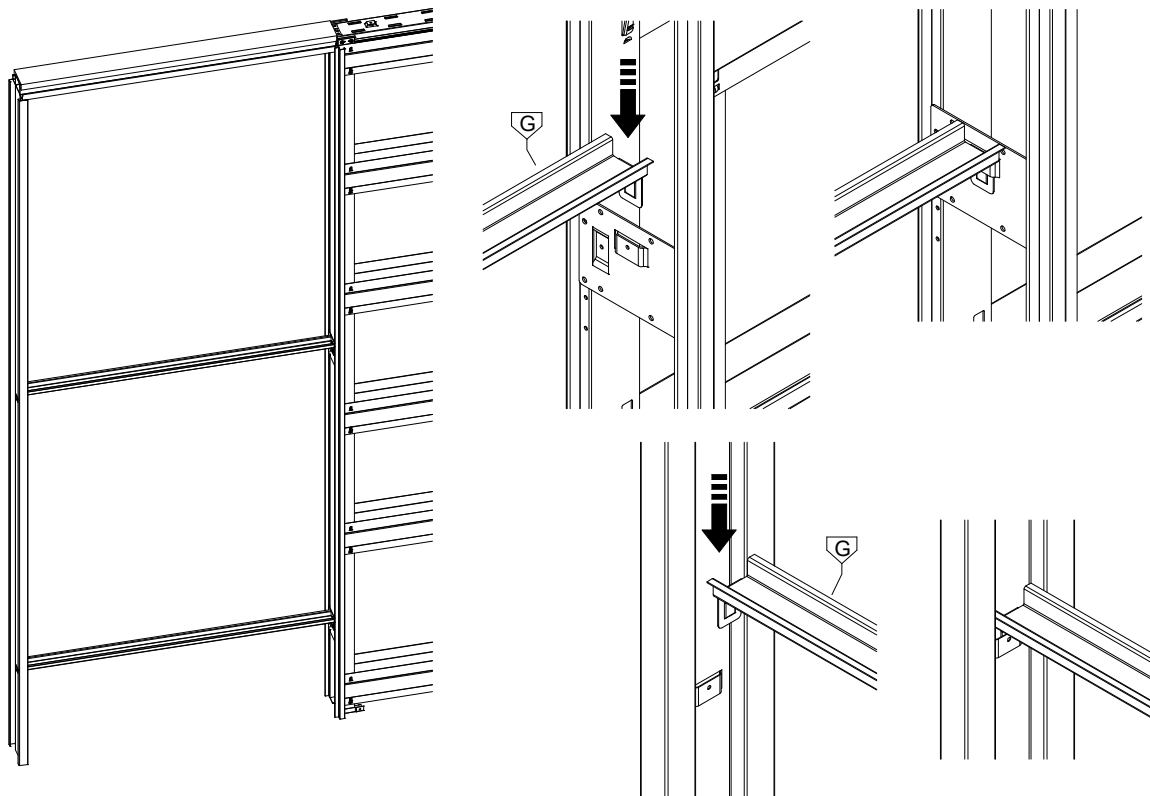
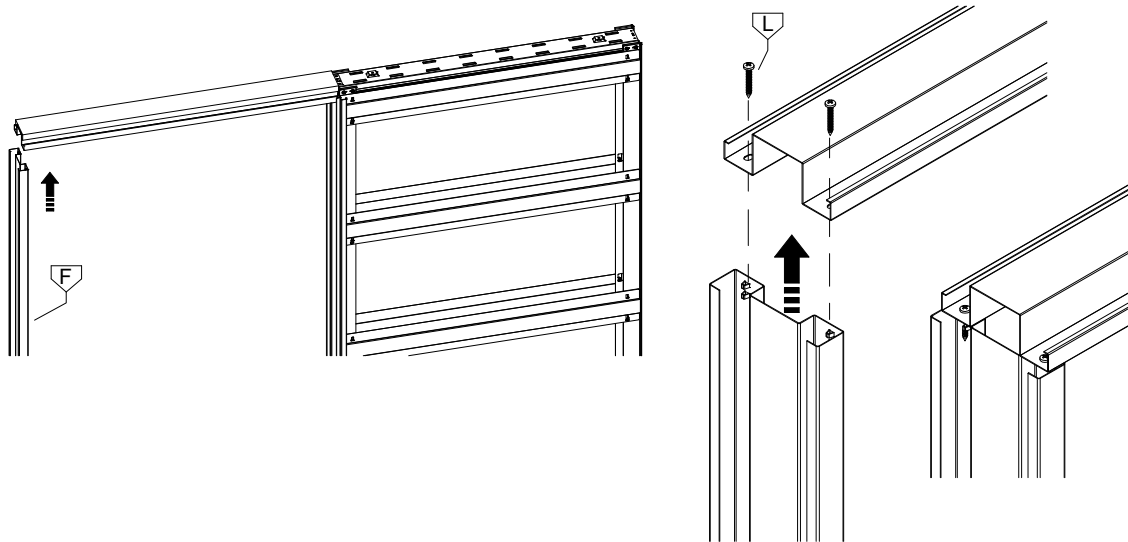
Subject to misprints, errors and technical modifications.  
All dimensions are in mm

2.4

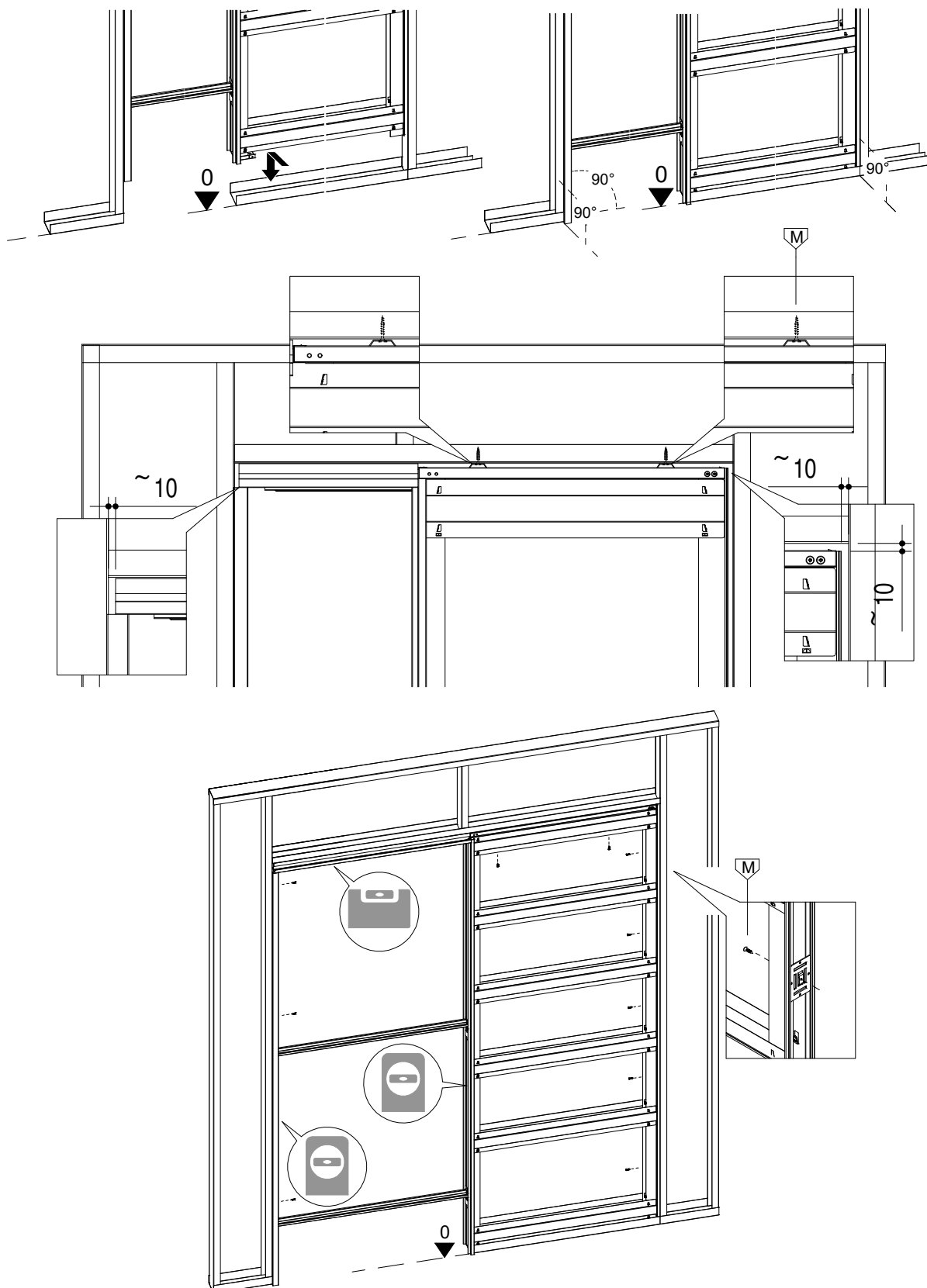
---



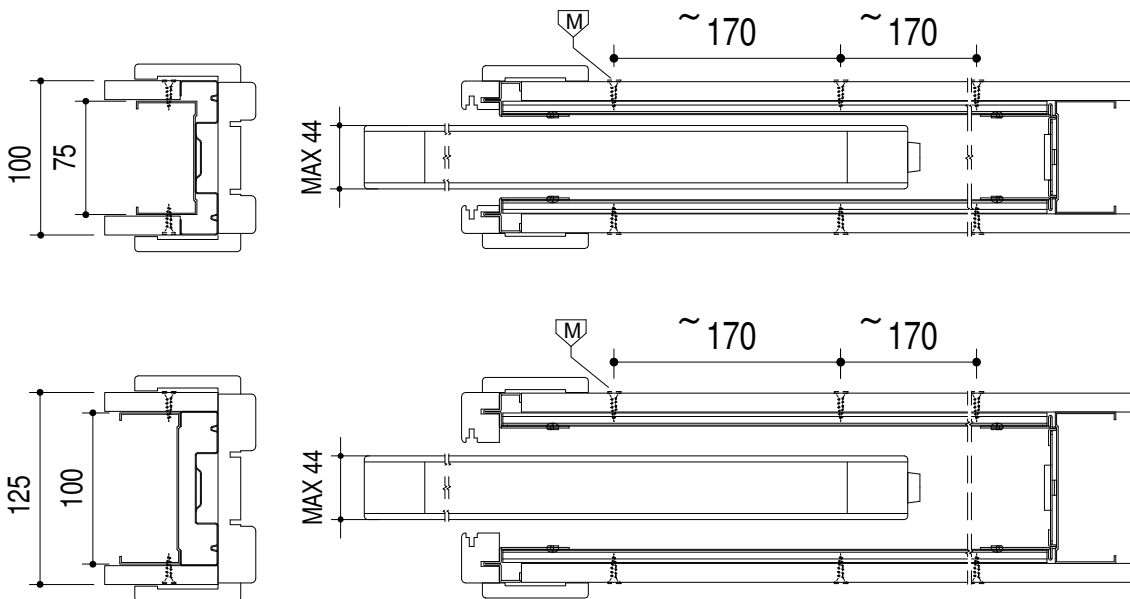
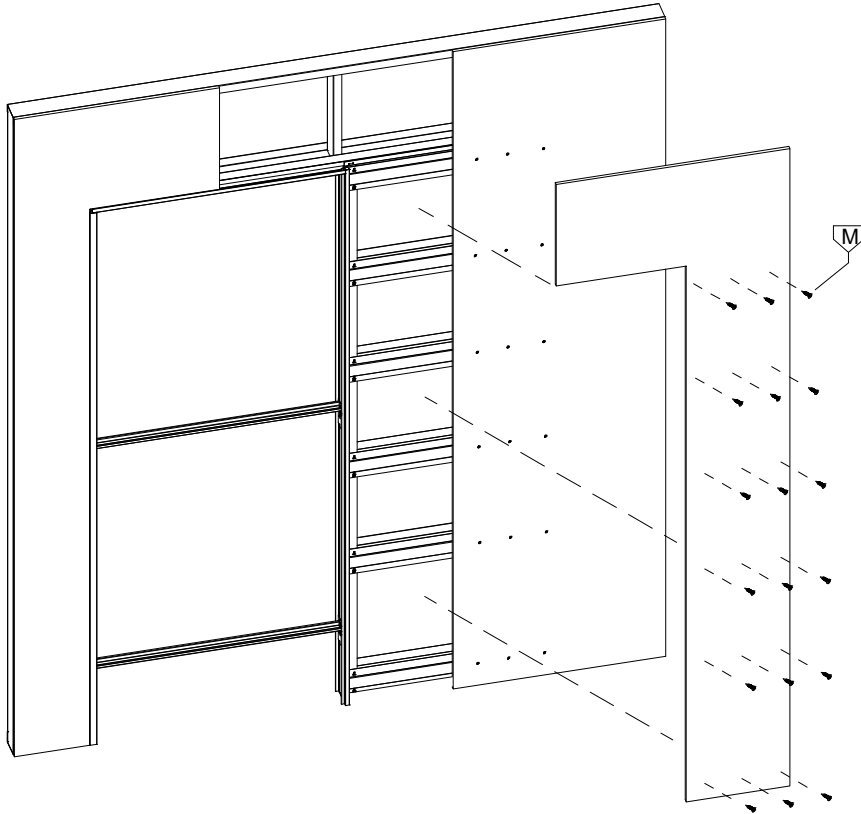
2.5



3.1

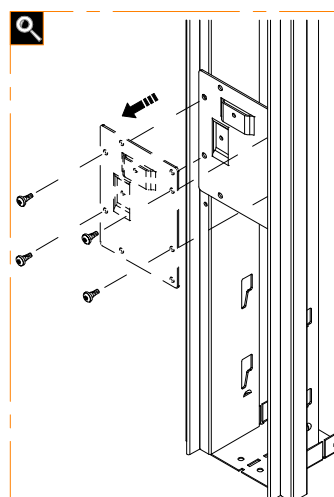
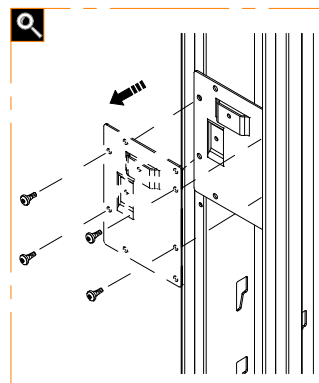
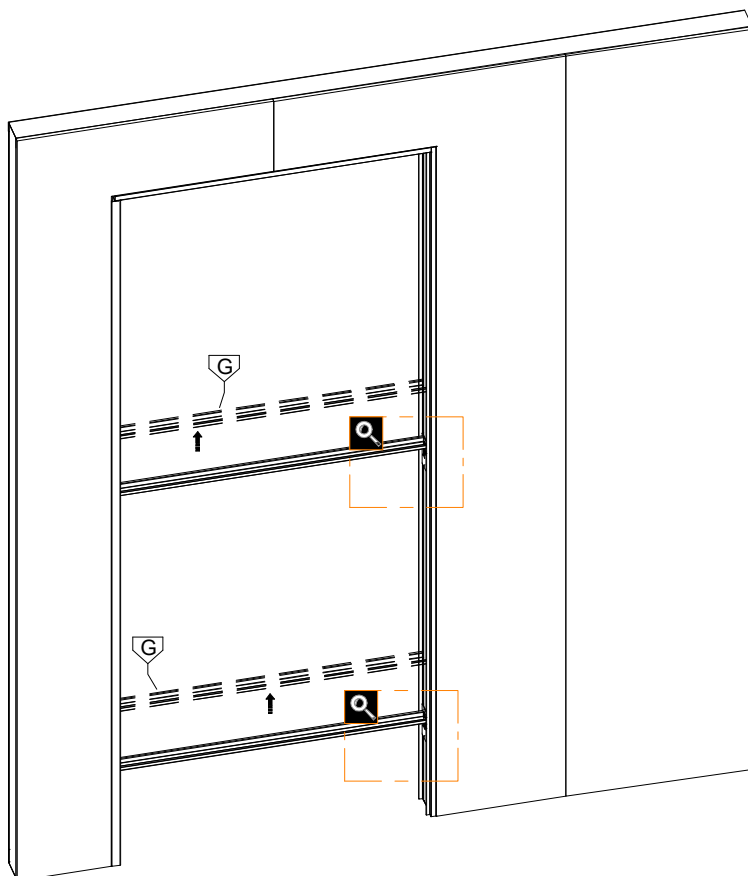


### 3.2



Subject to misprints, errors and technical modifications.  
All dimensions are in mm

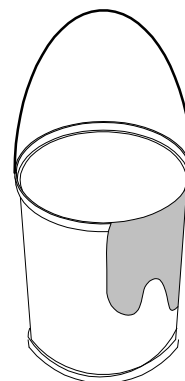
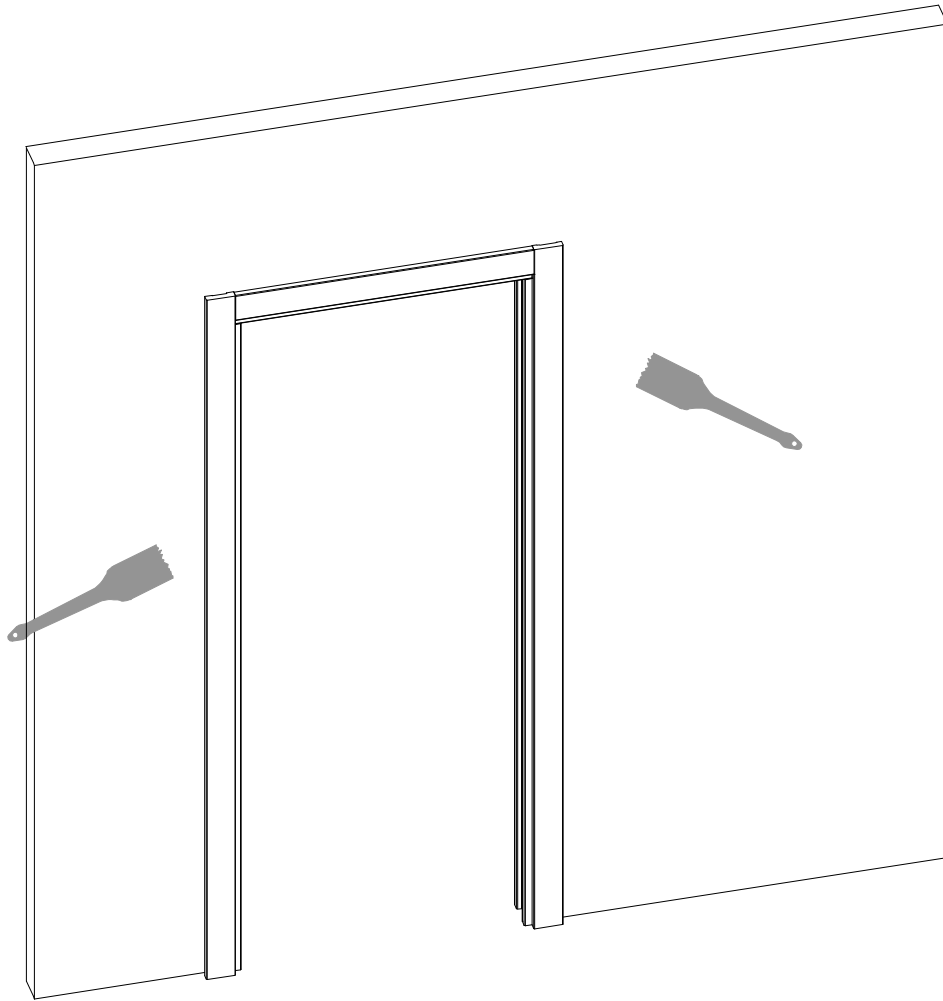
3.3





### 3.4

---



*PAINT*



T. +39 (0)883535781



info@ermetika.it



www.ermetika.it



www.youtube/ermetika.it