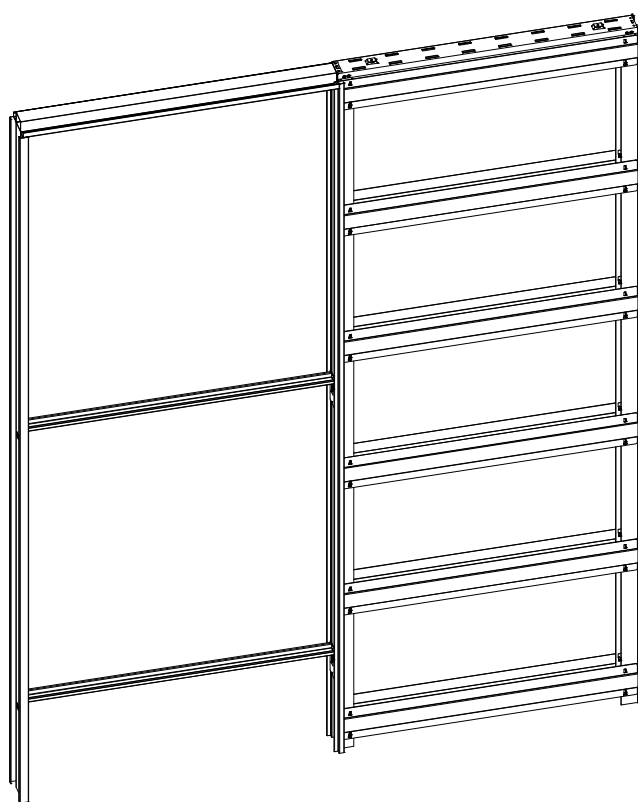


Ermetika[®]
INSIDE WALLS



SETUP INSTRUCTION

EVOKIT

INDEX

Setup for 100 finished wall..... 6 - 10

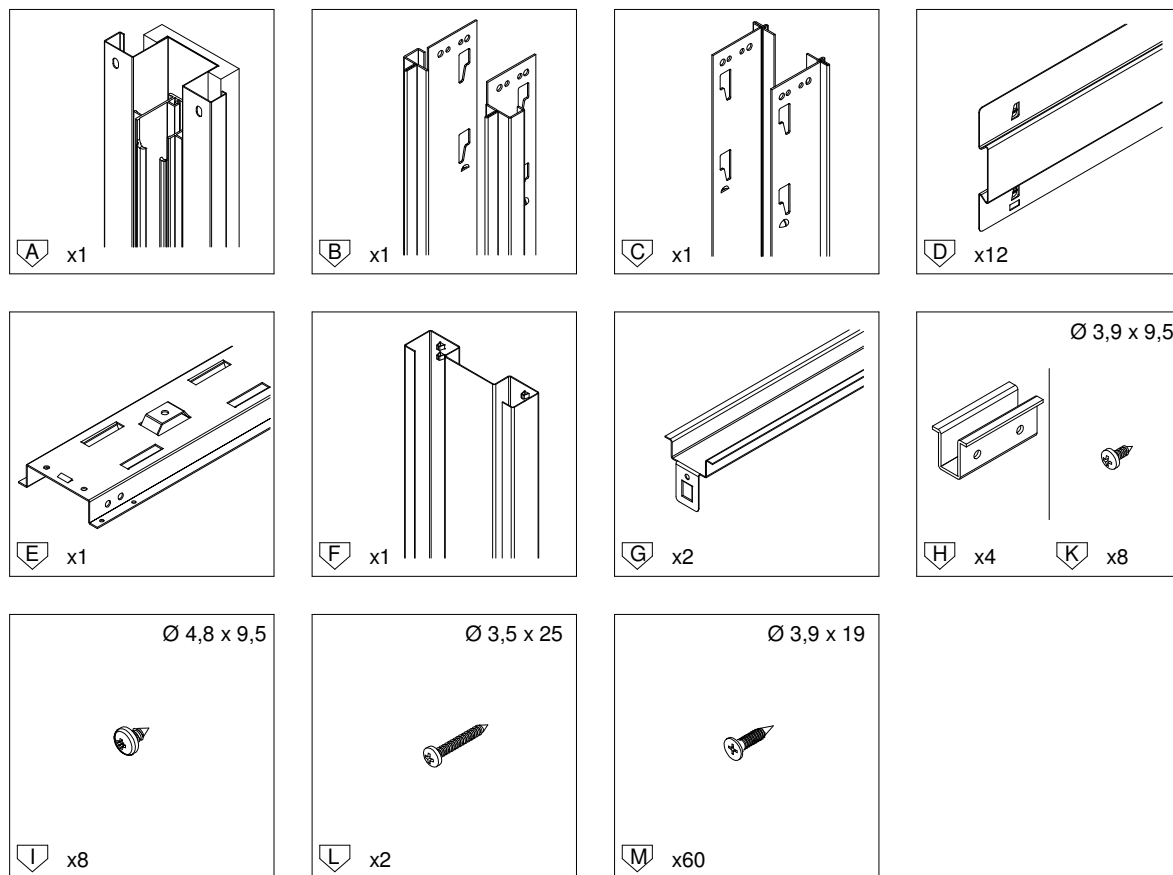
Setup for 125 finished wall.....11 - 15

Setup plasterboard..... 16 - 18

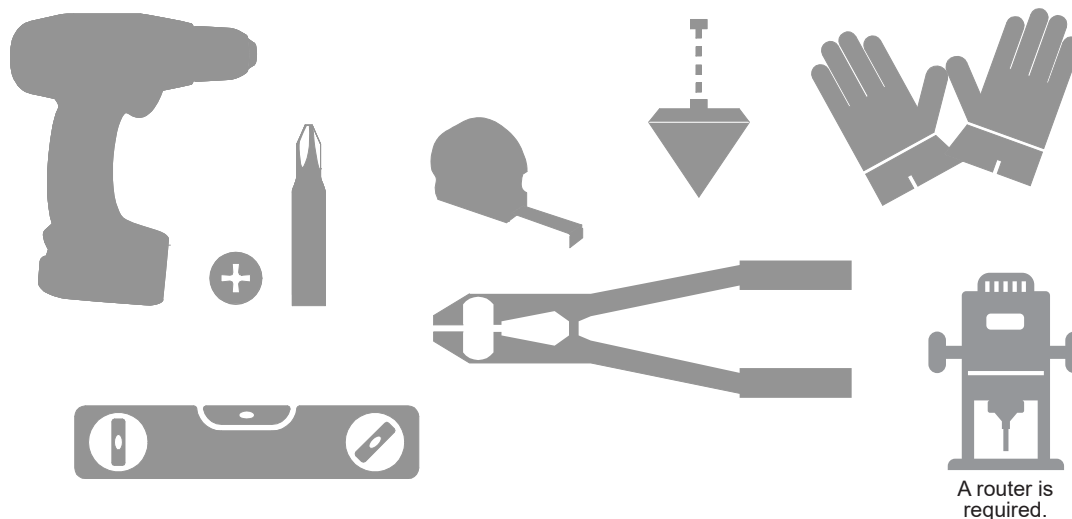
Fitting EasyStop/Close AB Twin.....19 - 24

KIT CONTENTS

Standard equipment



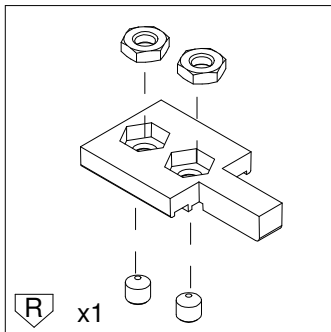
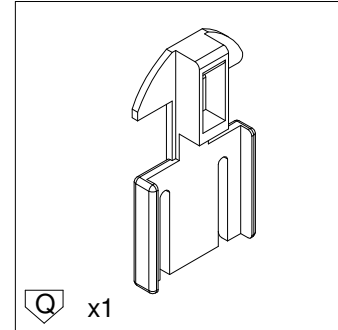
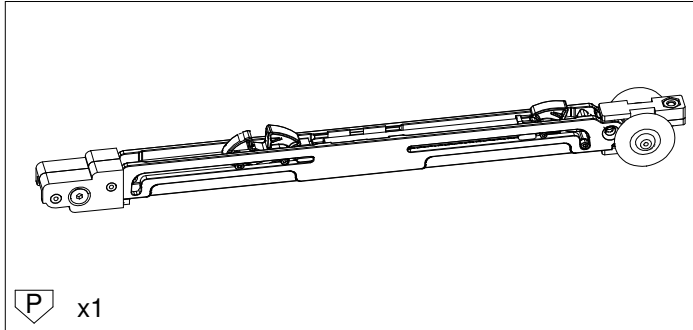
Tools



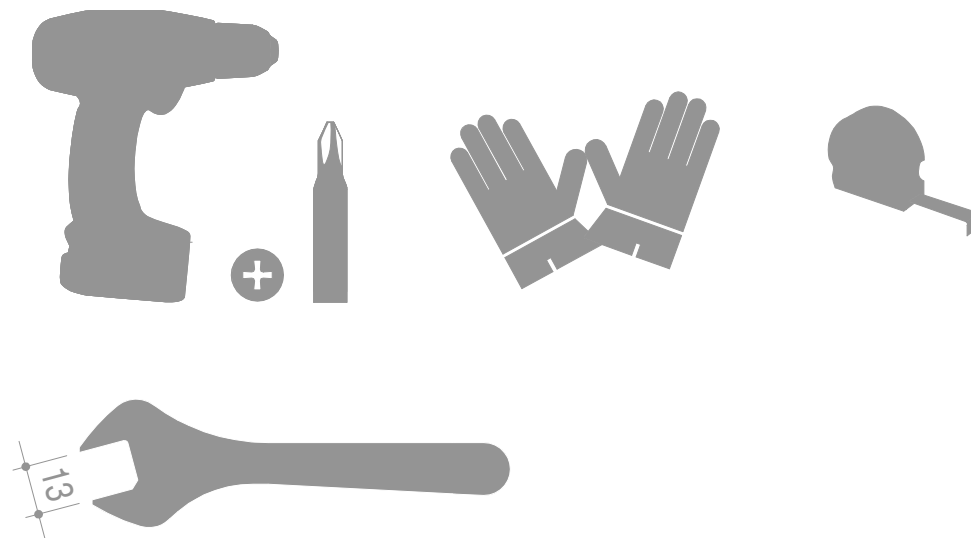
Subject to misprints, errors and technical modifications.
All dimensions are in mm

KIT CONTENTS

Easystop Ab Twin - equipment



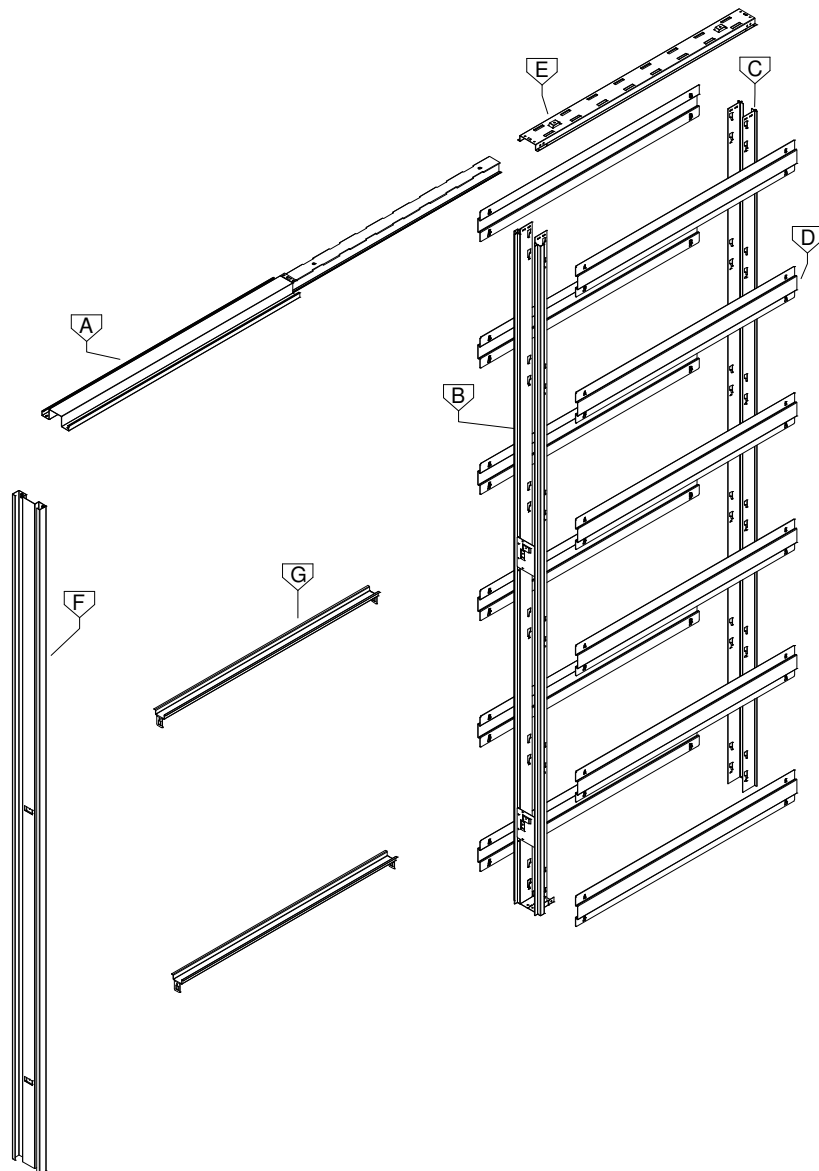
Tools



Subject to misprints, errors and technical modifications.
All dimensions are in mm

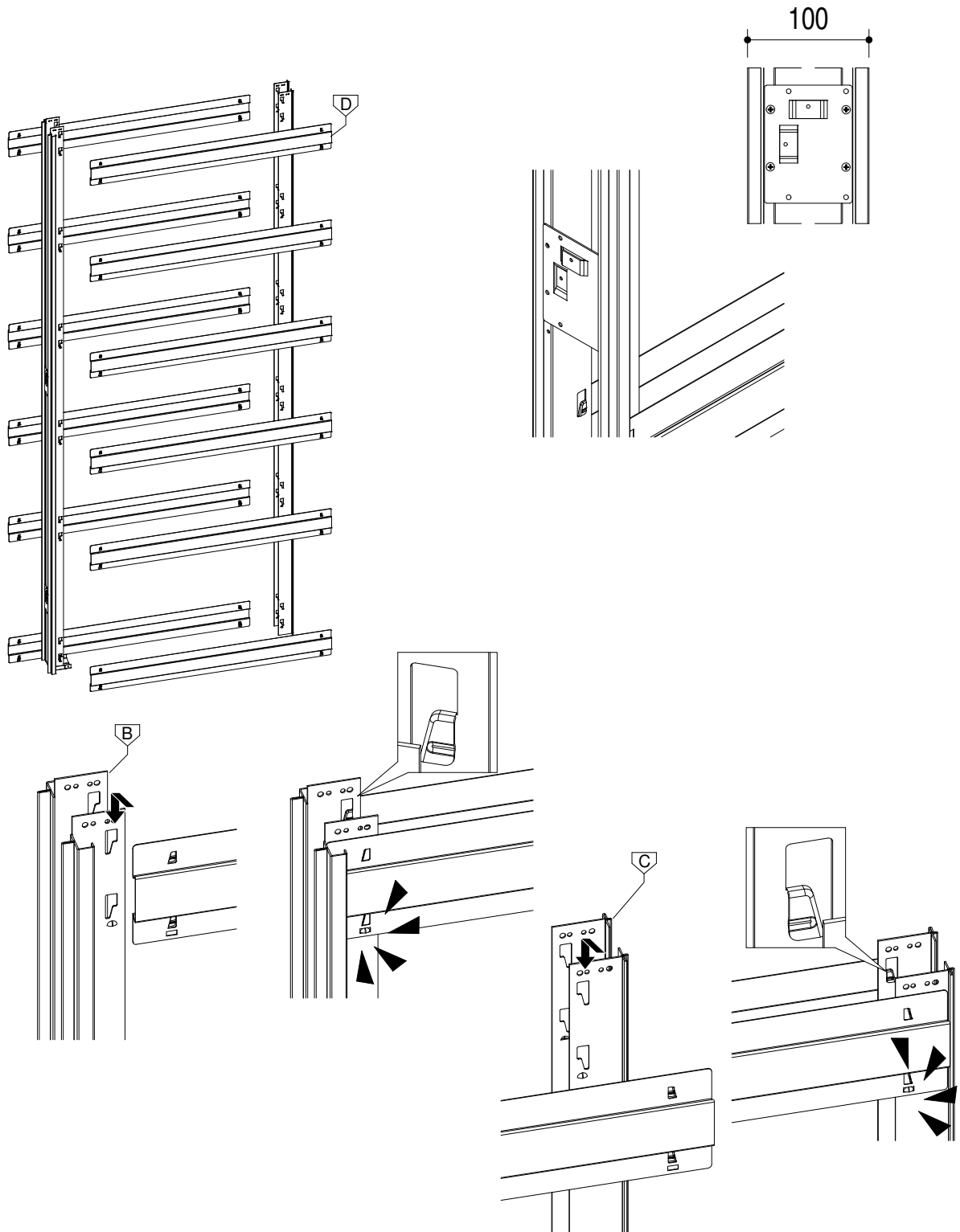
KIT CONTENTS

Overall view



Subject to misprints, errors and technical modifications.
All dimensions are in mm

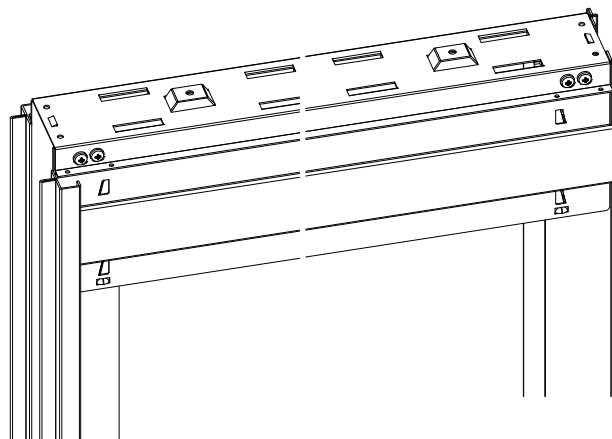
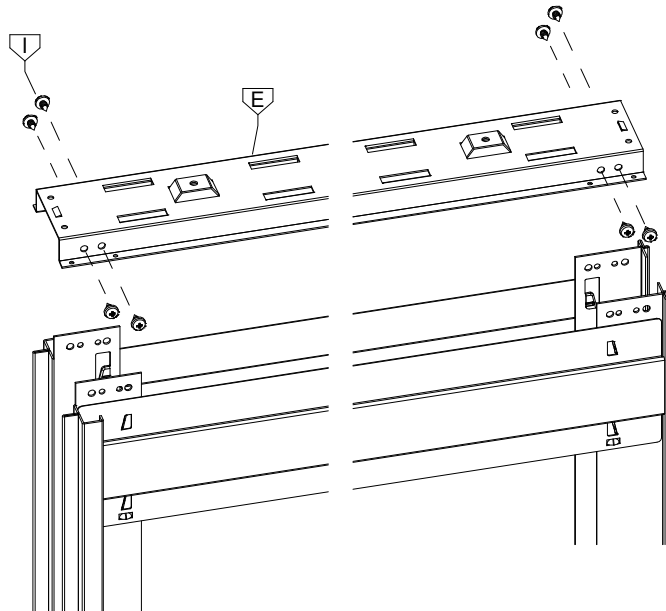
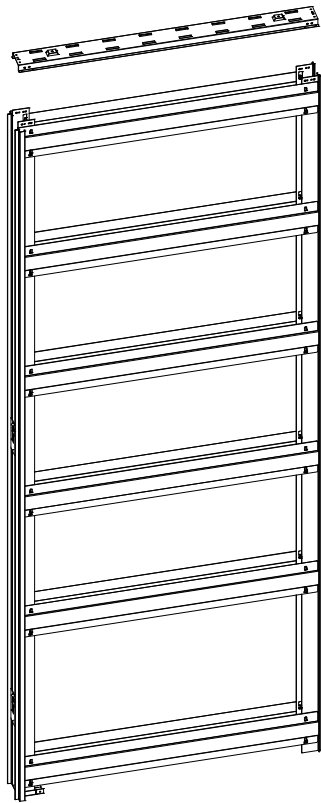
1.1



Subject to misprints, errors and technical modifications.
All dimensions are in mm


SETUP

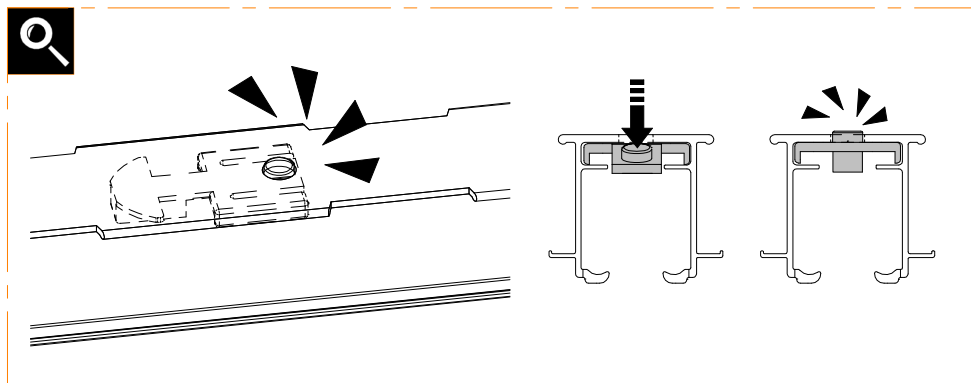
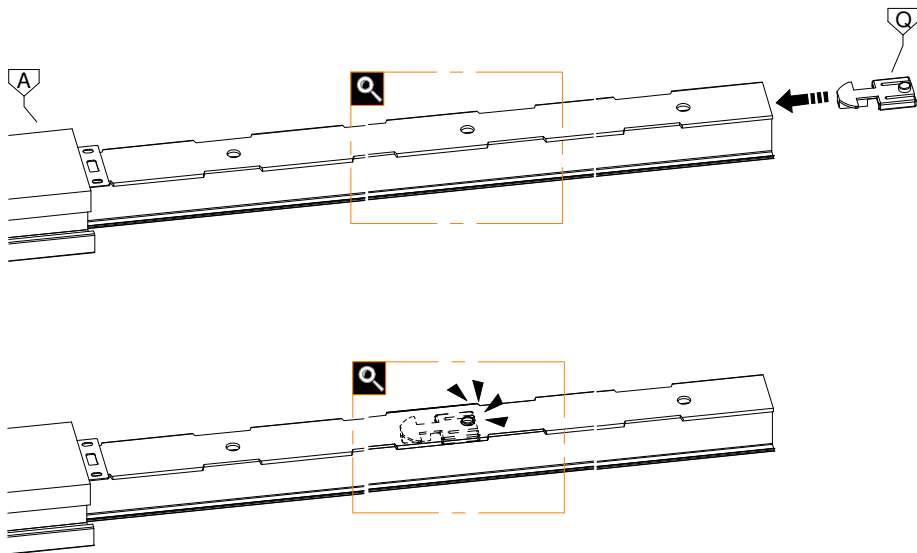
1.2



Subject to misprints, errors and technical modifications.
All dimensions are in mm

1.3

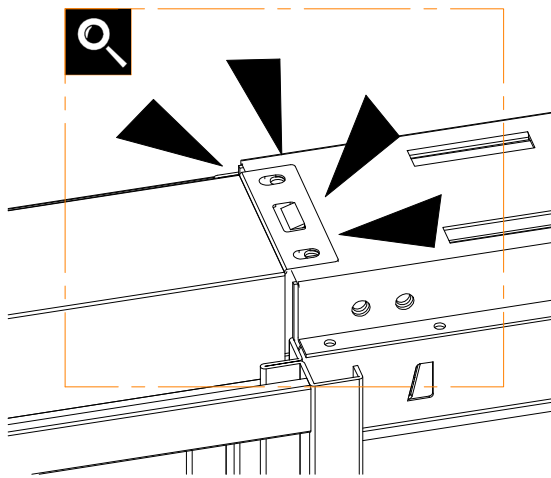
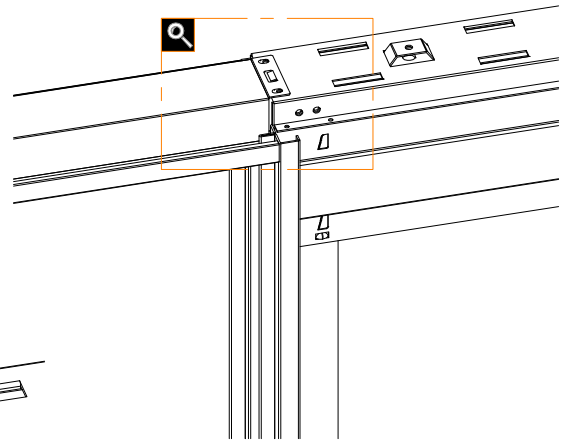
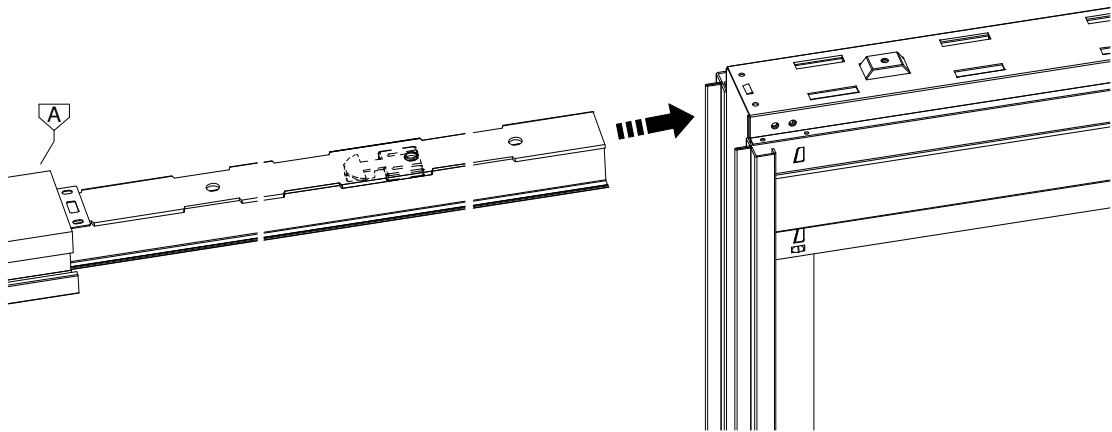
 hole pre-drilled in factory



Subject to misprints, errors and technical modifications.
All dimensions are in mm

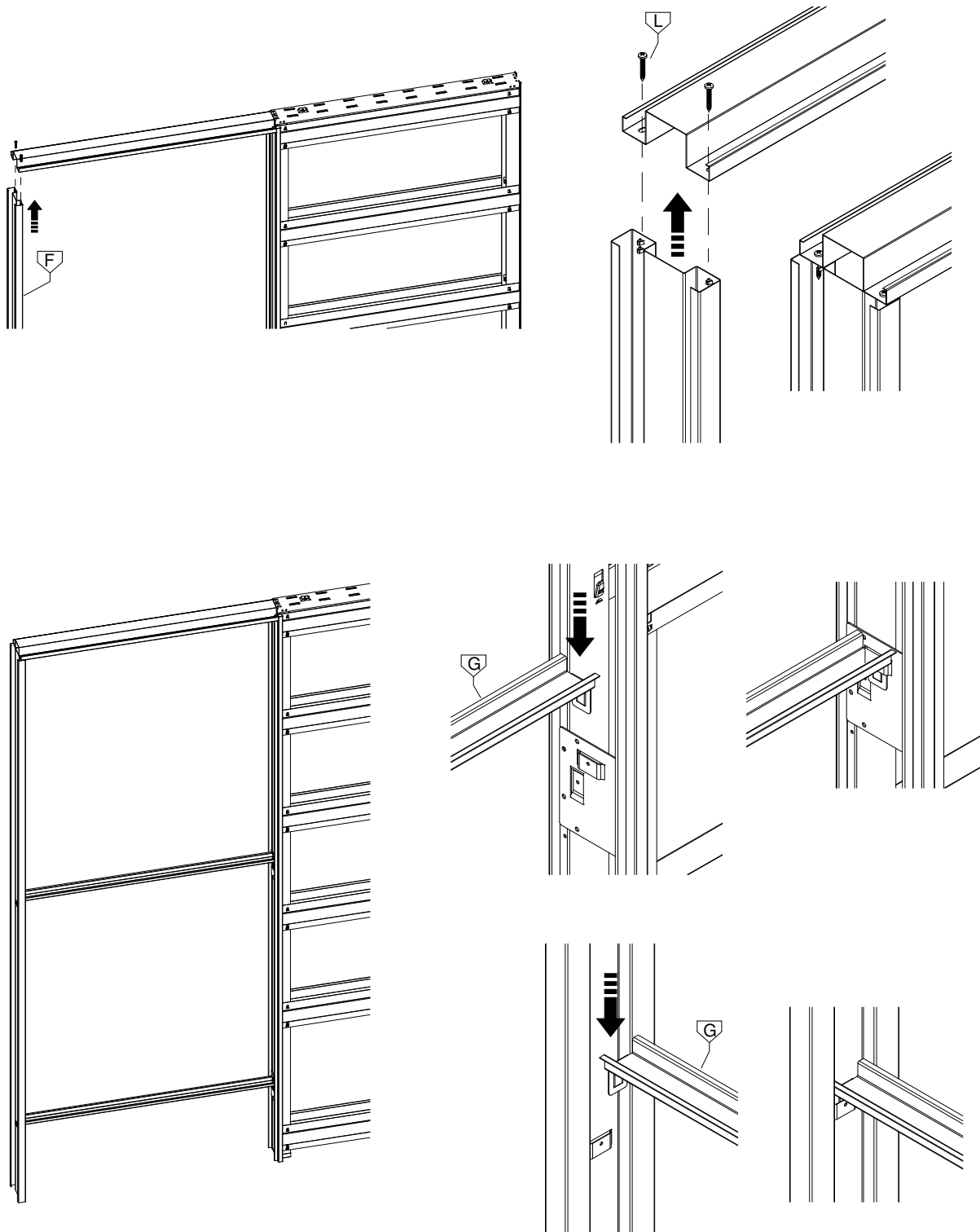
SETUP

1.4



Subject to misprints, errors and technical modifications.
All dimensions are in mm

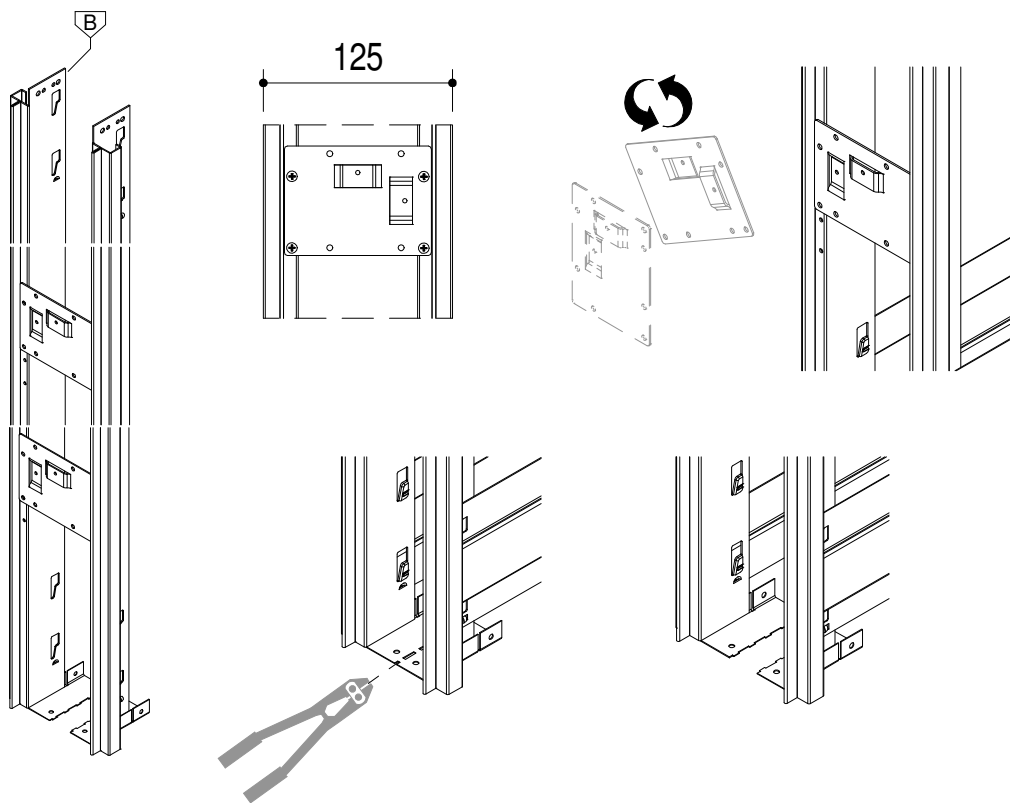
1.5



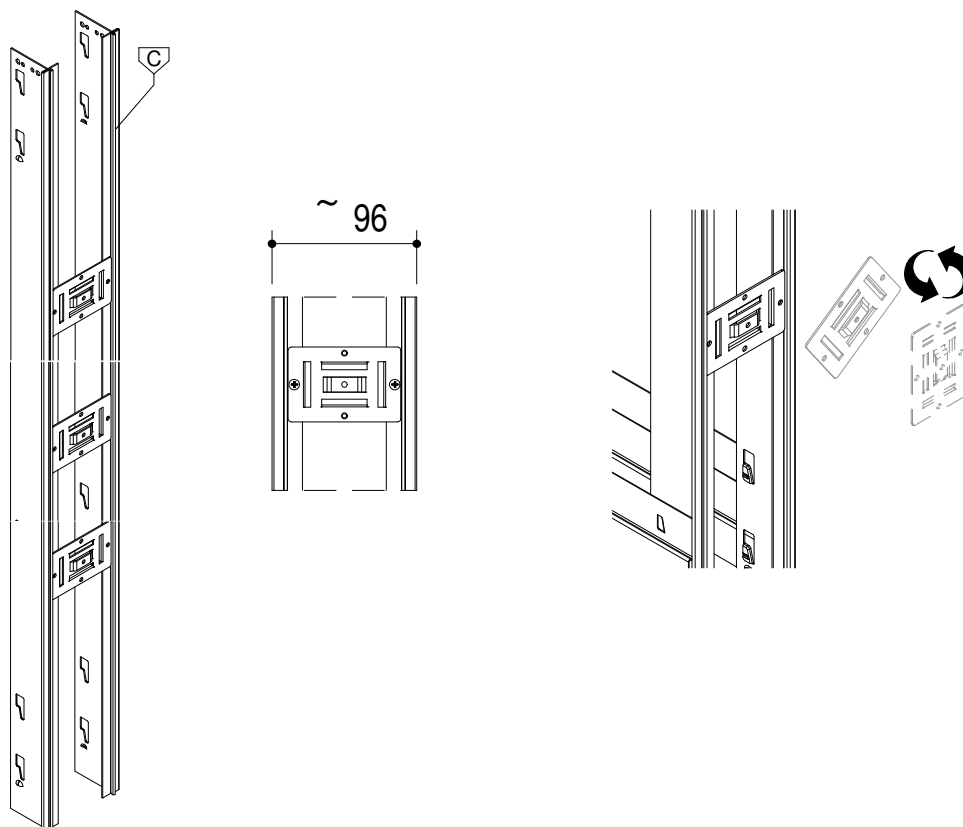
Subject to misprints, errors and technical modifications.
All dimensions are in mm

SETUP

2.1

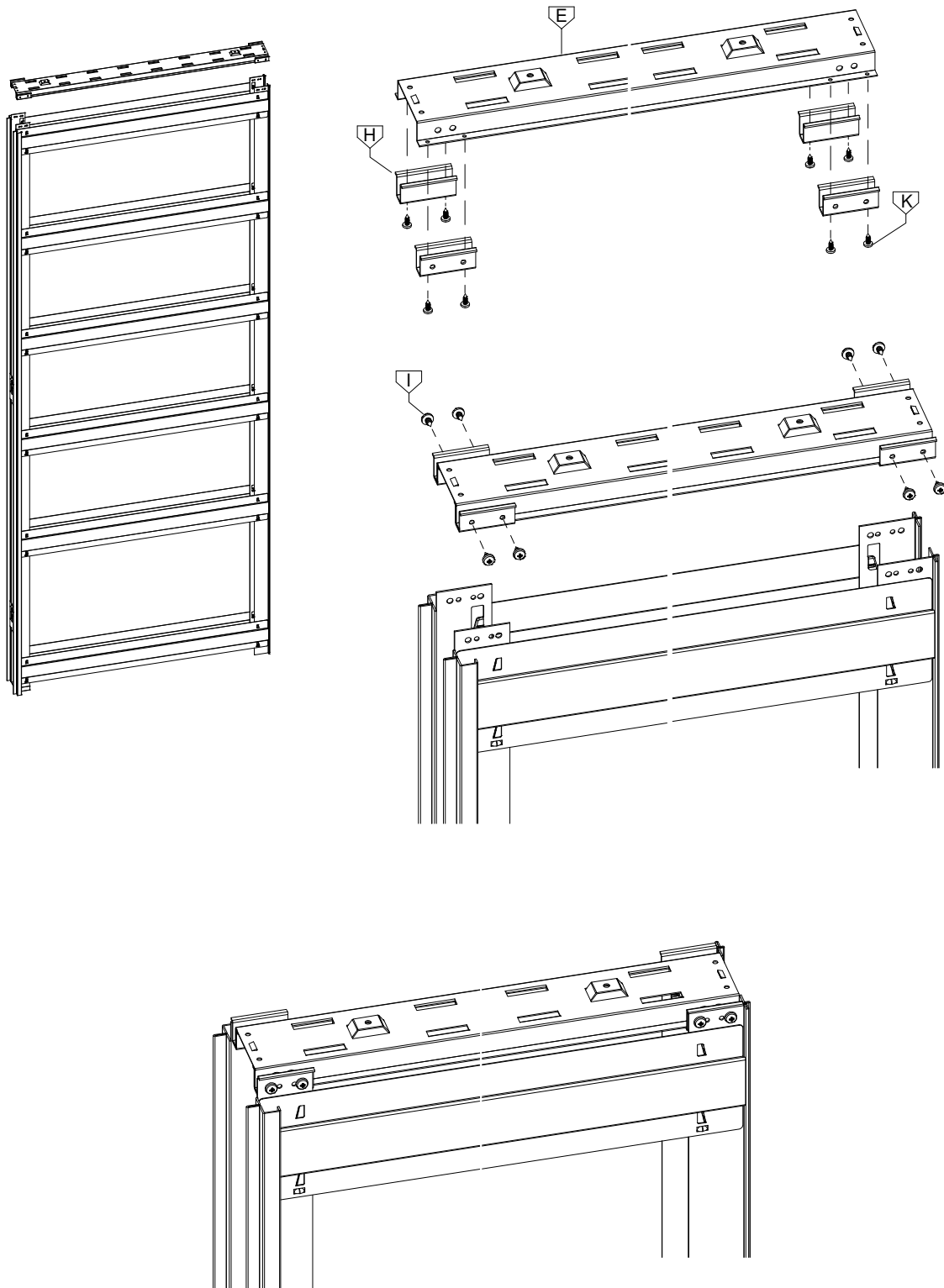


2.2



Subject to misprints, errors and technical modifications.
All dimensions are in mm


2.3

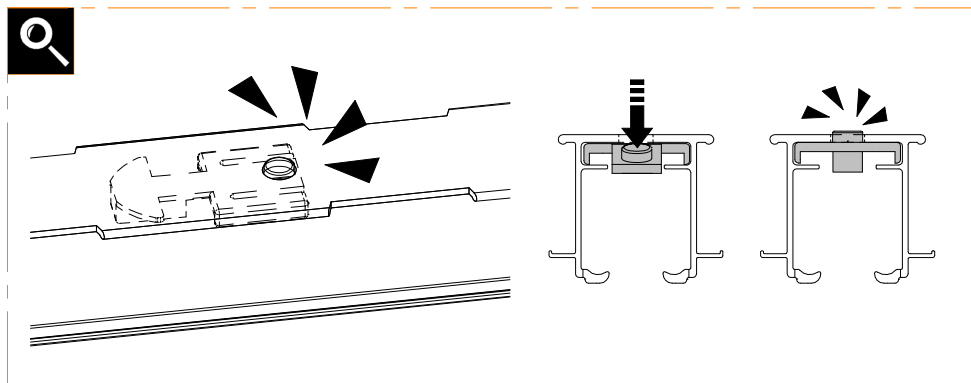
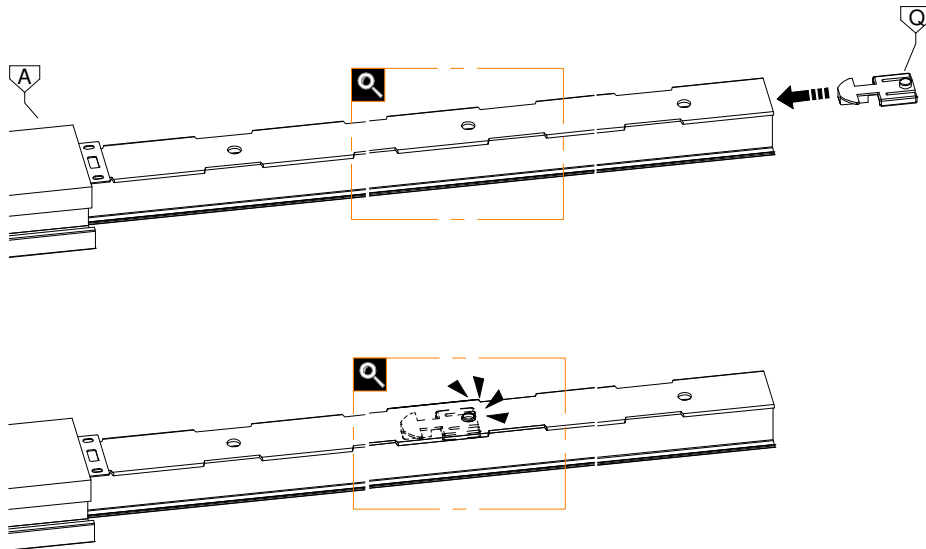


Subject to misprints, errors and technical modifications.
All dimensions are in mm

SETUP

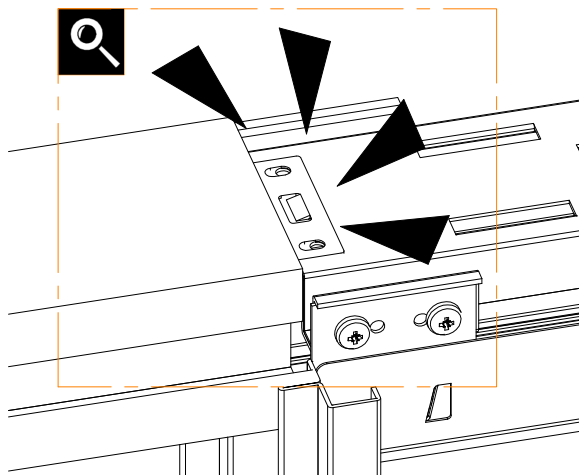
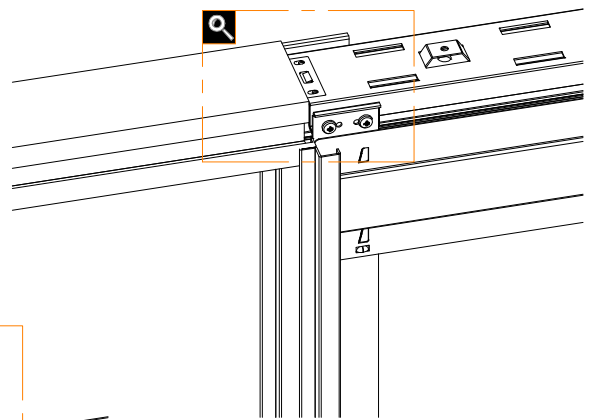
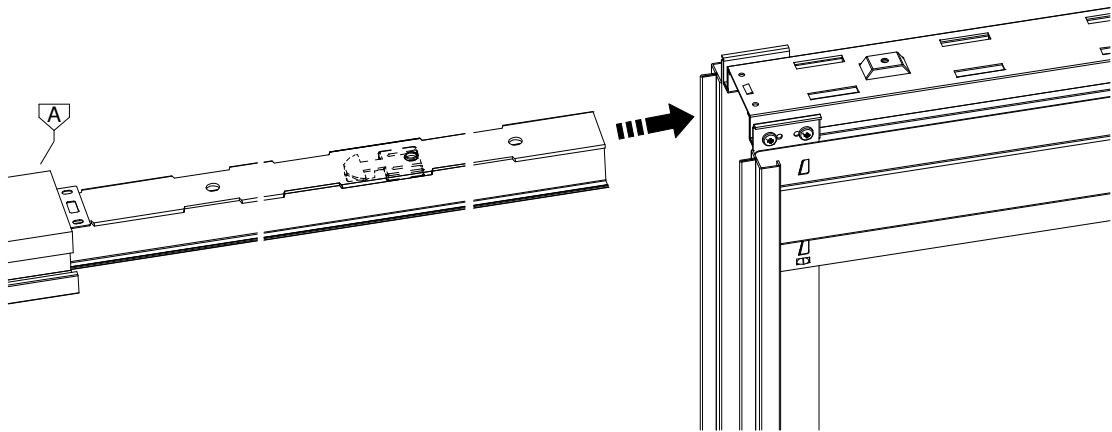
2.4

 hole pre-drilled in factory



Subject to misprints, errors and technical modifications.
All dimensions are in mm

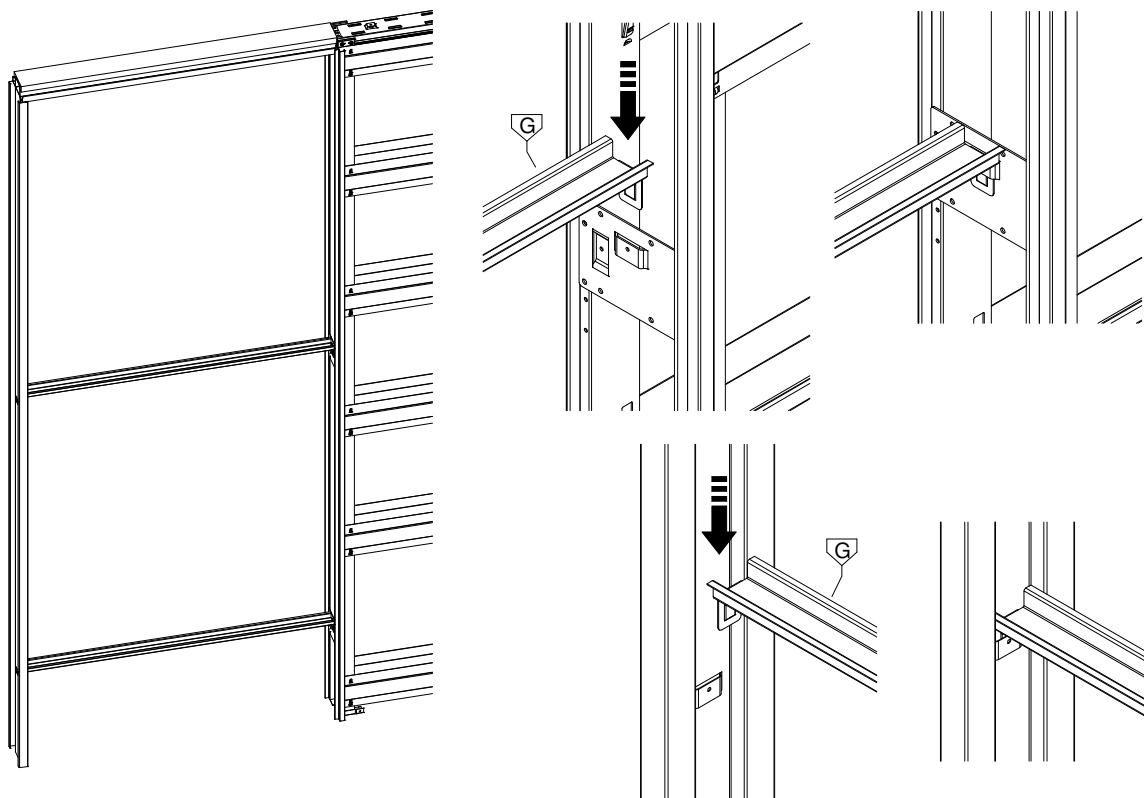
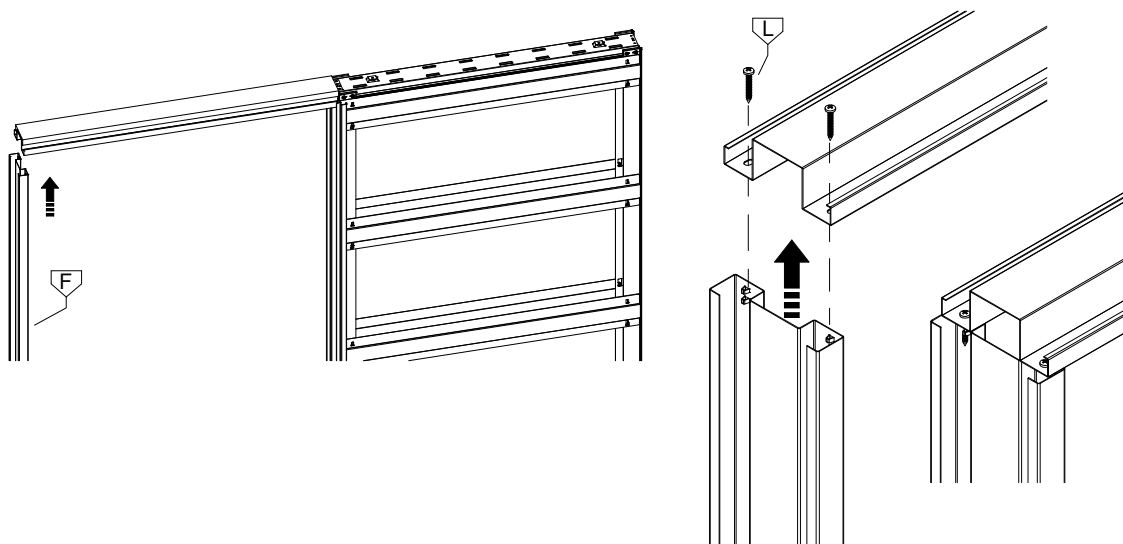
2.5



Subject to misprints, errors and technical modifications.
All dimensions are in mm

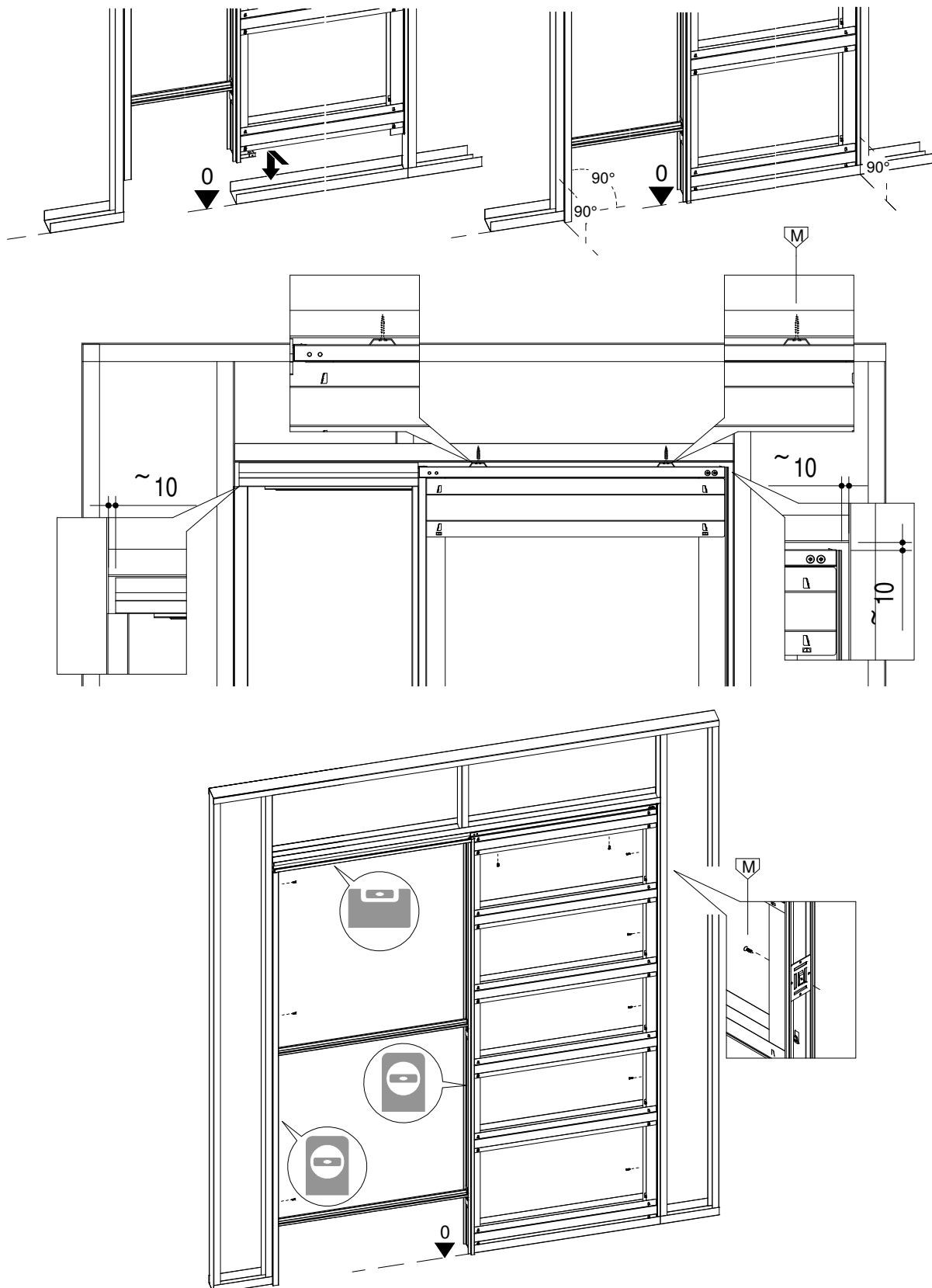
SETUP

2.6



Subject to misprints, errors and technical modifications.
All dimensions are in mm

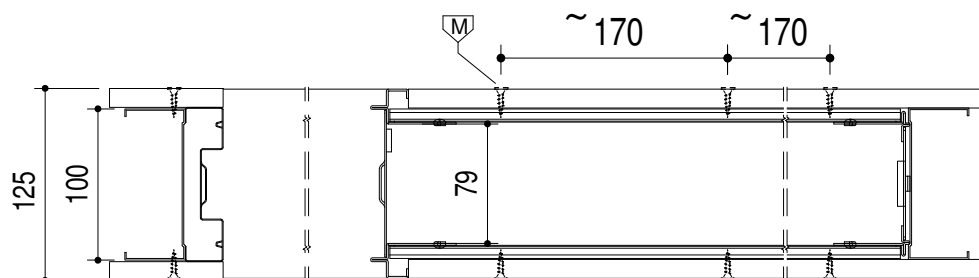
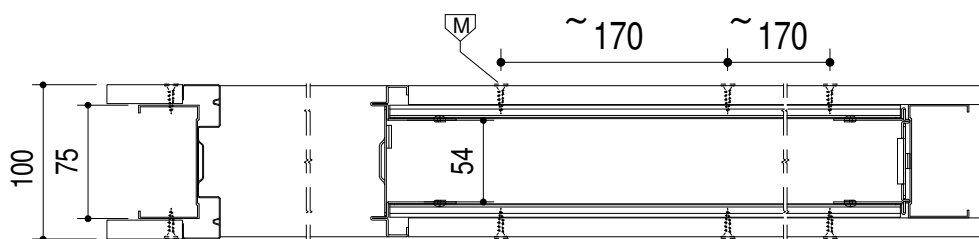
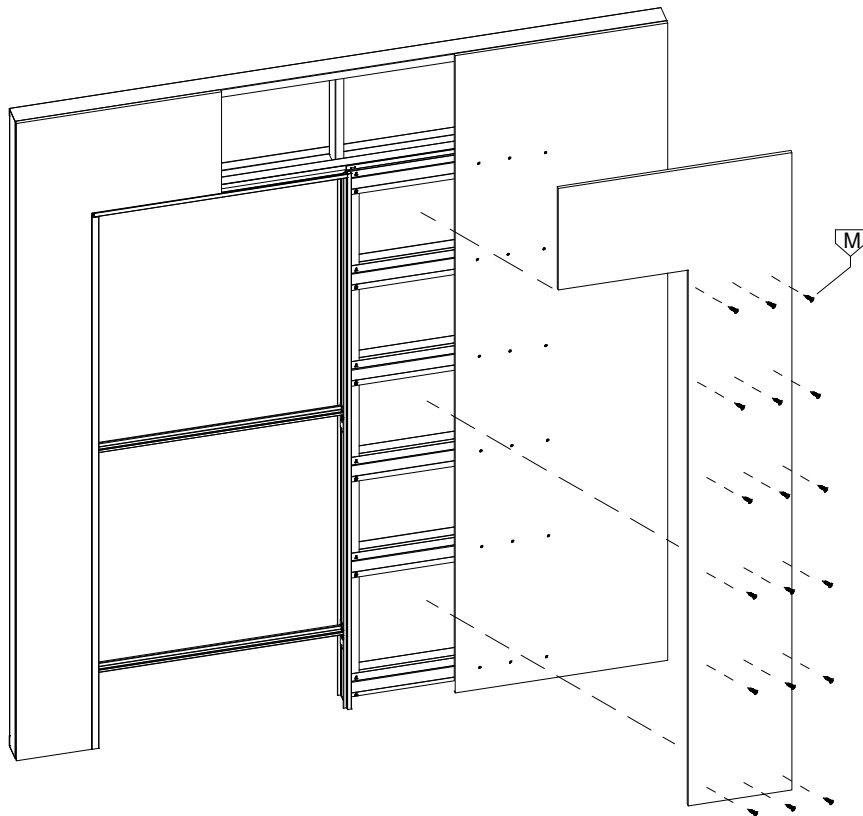
3.1



Subject to misprints, errors and technical modifications.
All dimensions are in mm

SETUP

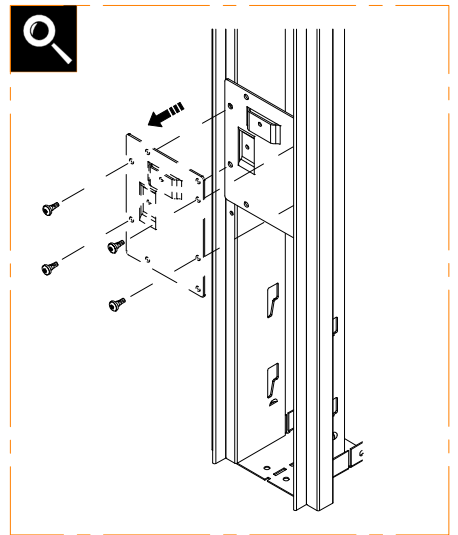
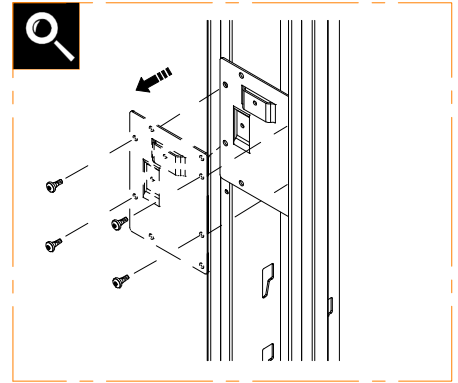
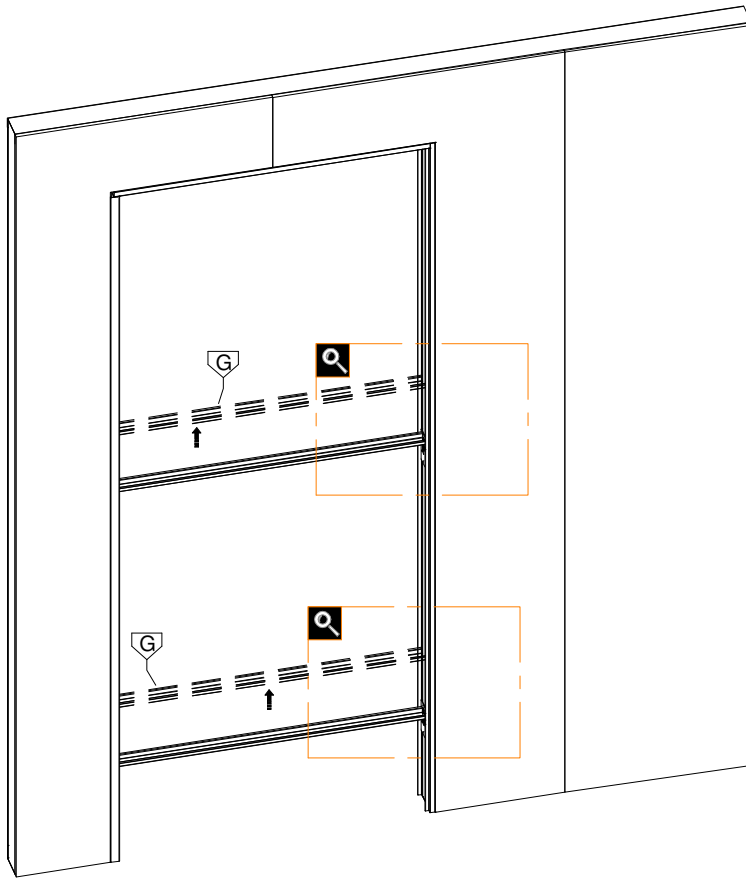
3.2



ATTENTION: USE ONLY SCREWS INCLUDED IN KIT !

Subject to misprints, errors and technical modifications.
All dimensions are in mm

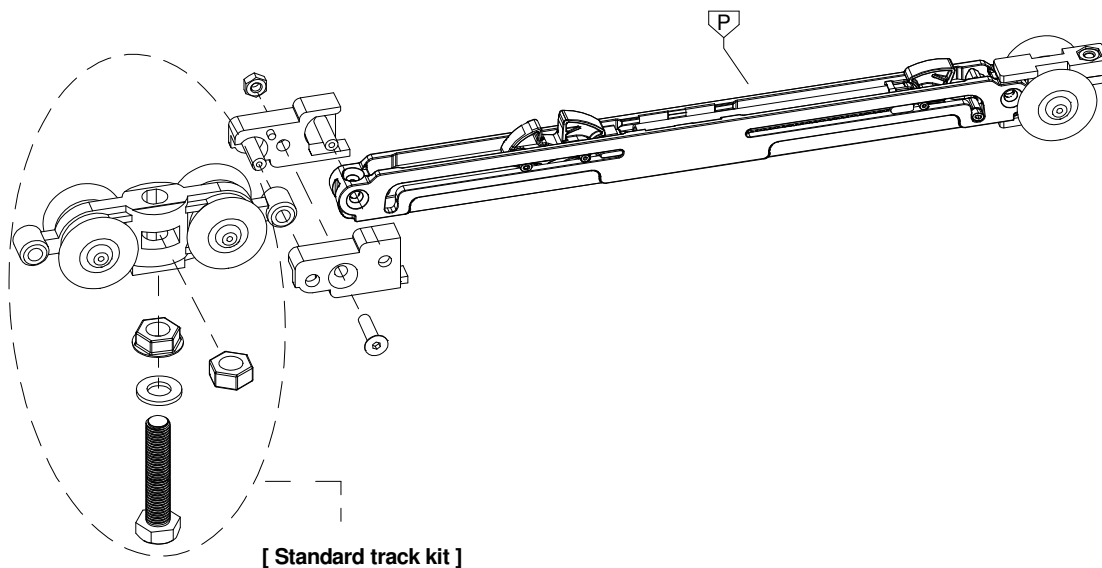
3.3



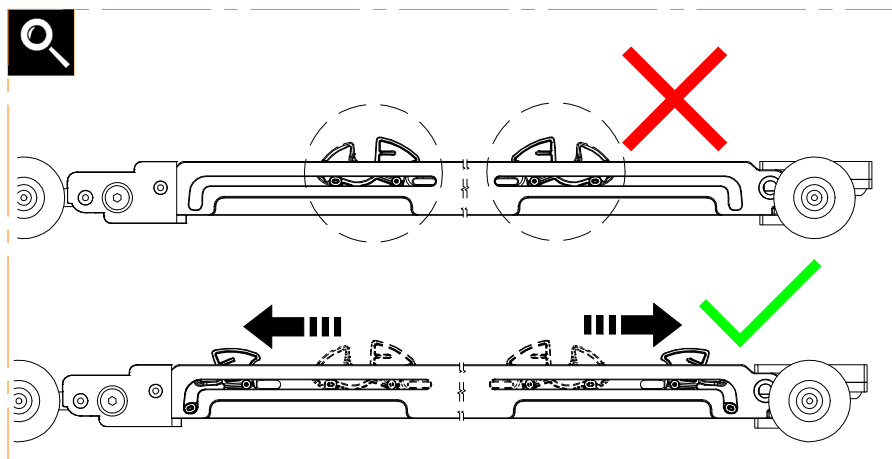
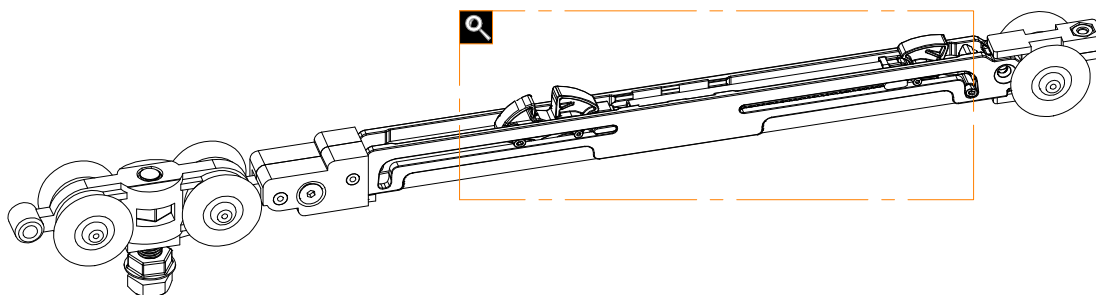
Subject to misprints, errors and technical modifications.
All dimensions are in mm



4.1

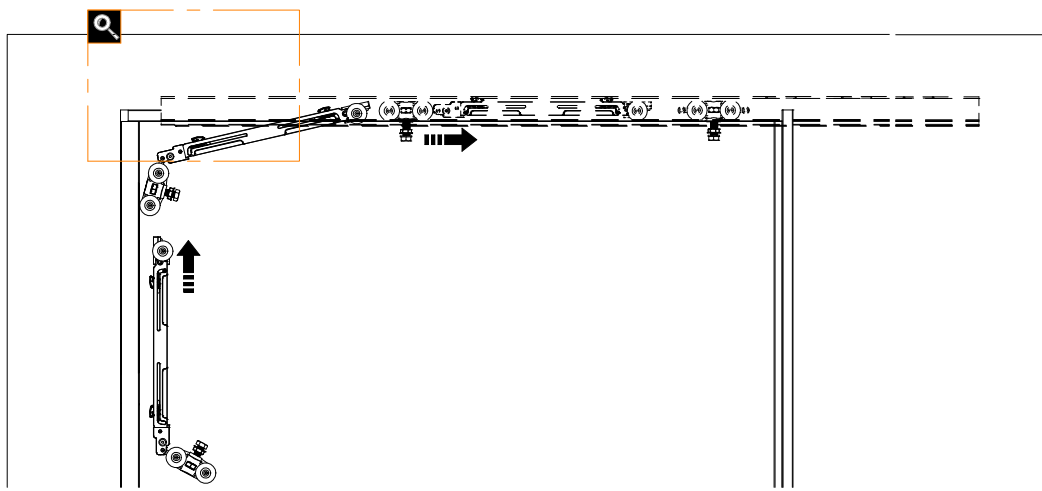
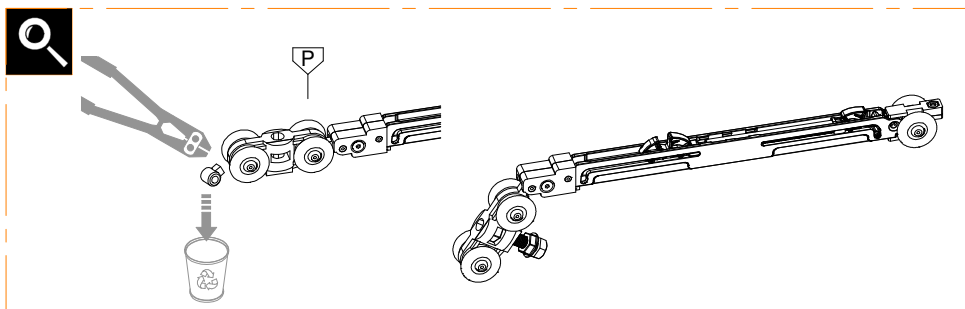
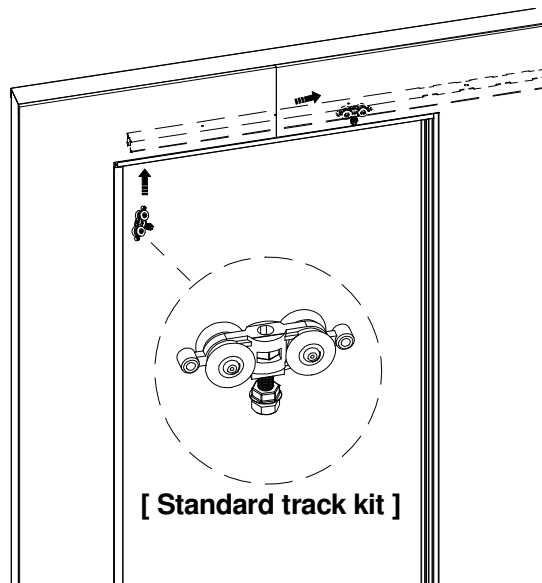


4.2



Subject to misprints, errors and technical modifications.
All dimensions are in mm

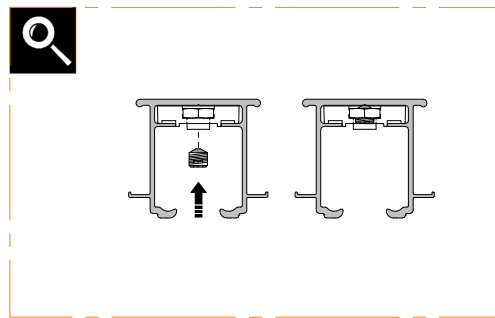
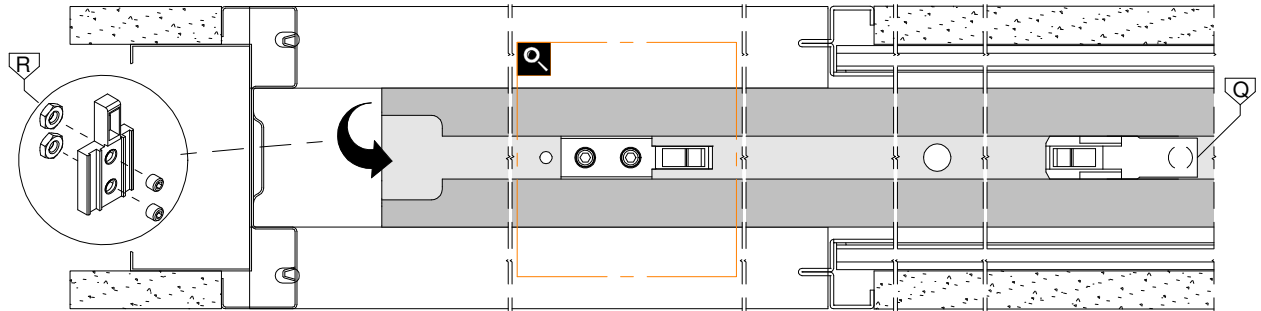
4.3



Subject to misprints, errors and technical modifications.
All dimensions are in mm

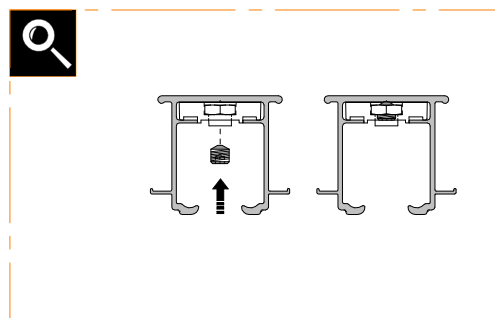
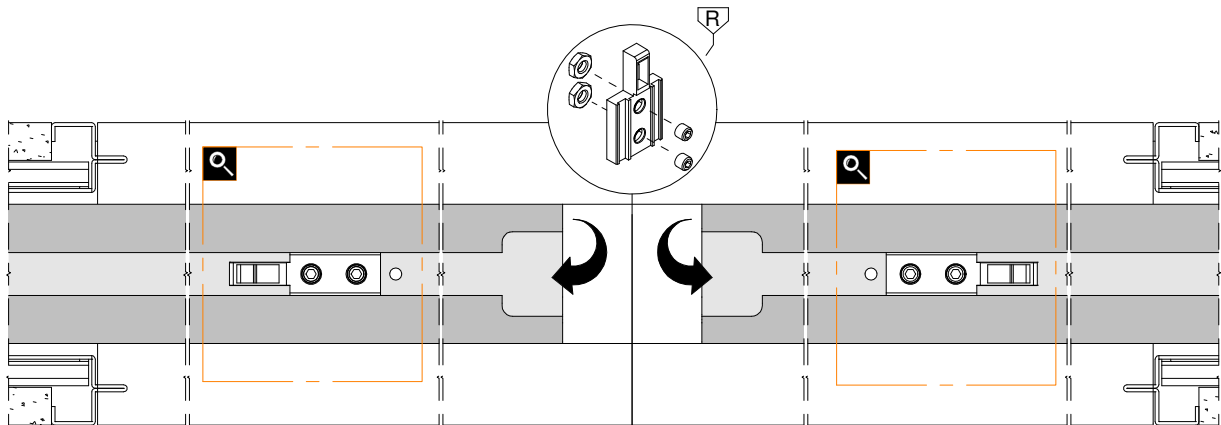
4.6

ACTIVATOR POSITION FOR WOOD / GLASS SINGLE DOOR



4.7

ACTIVATOR POSITION FOR WOOD / GLASS DOUBLE DOOR



Subject to misprints, errors and technical modifications.
All dimensions are in mm

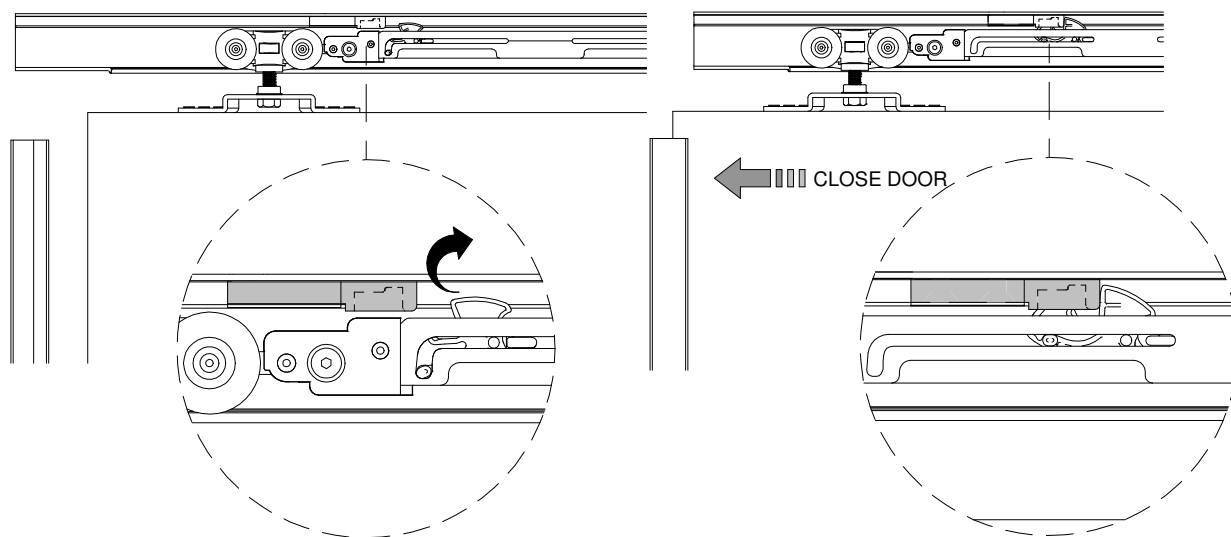
SETUP

EASYstopAB twin

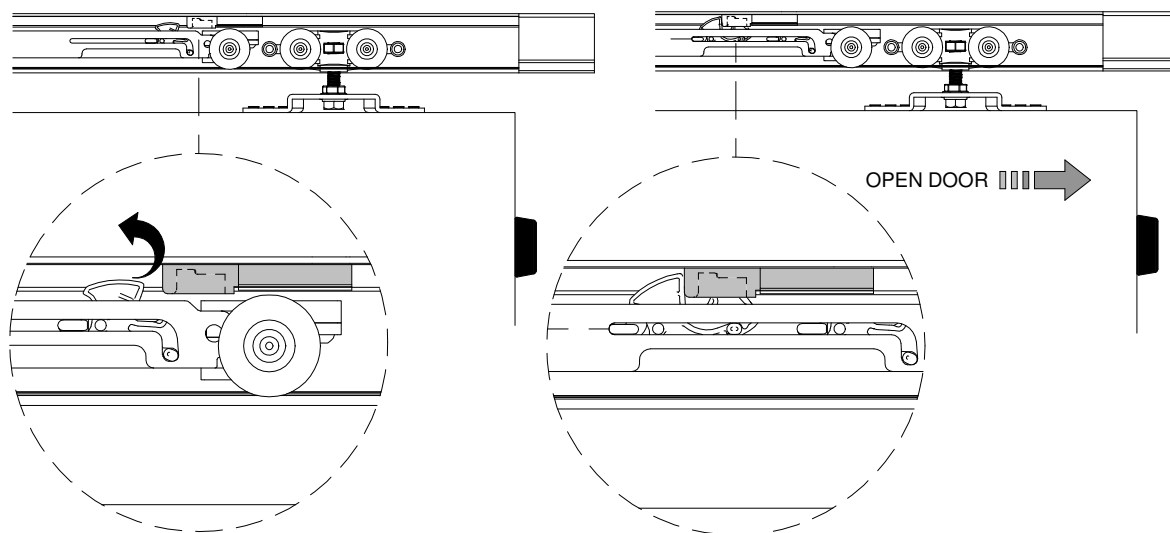


4.8

SOFT CLOSING...

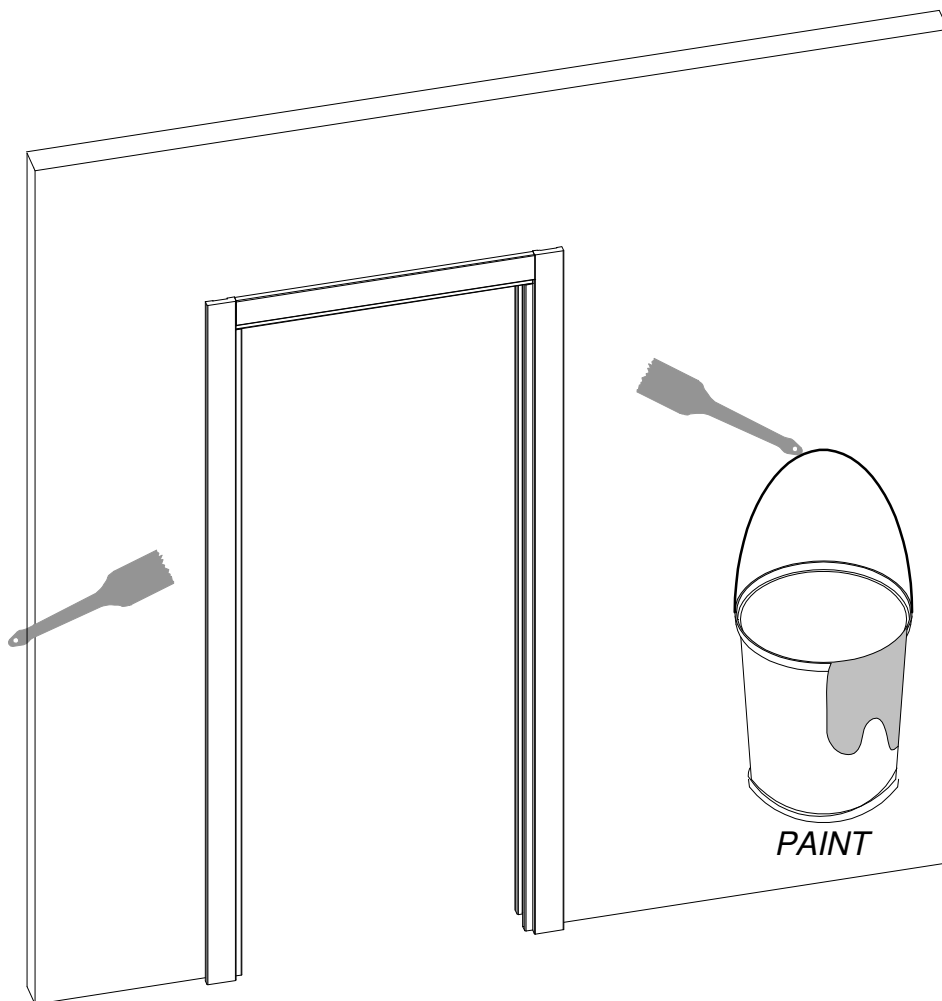
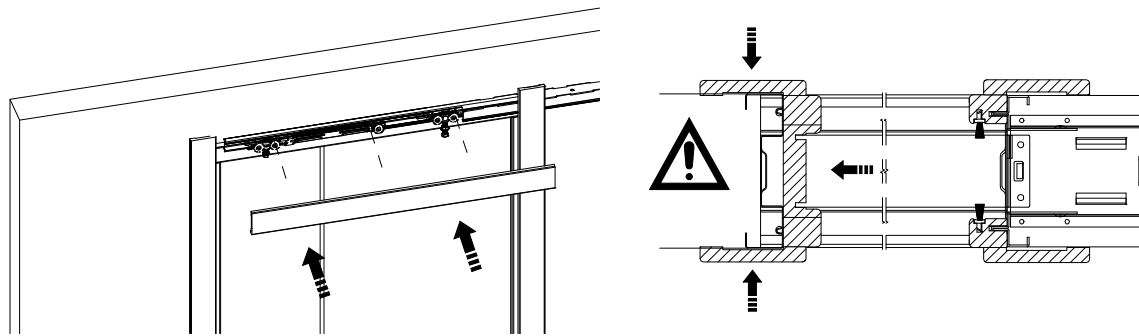


... SOFT OPENING



Subject to misprints, errors and technical modifications.
All dimensions are in mm

4.9



Subject to misprints, errors and technical modifications.
All dimensions are in mm