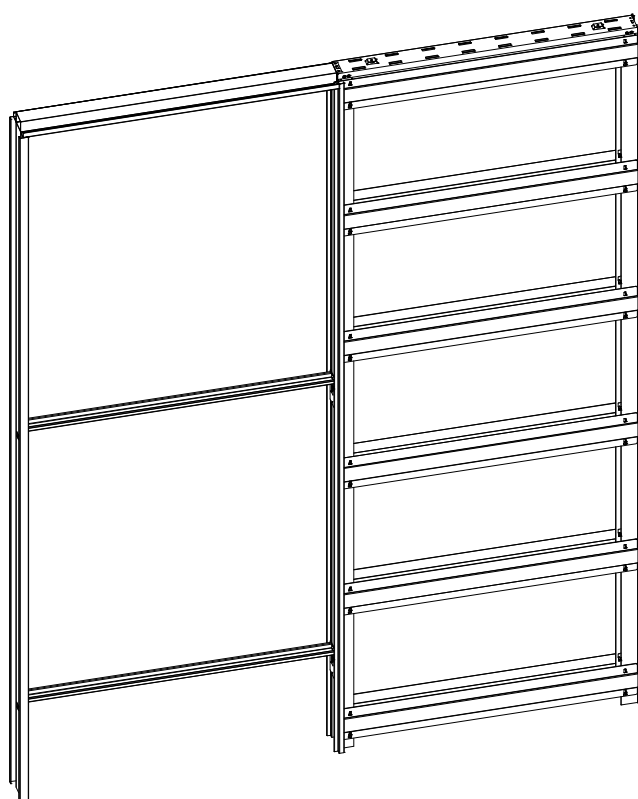


**Ermetika**<sup>®</sup>  
INSIDE WALLS



**SETUP INSTRUCTION**

**EVOKIT**

INDEX

---

**Junction Bar..... 2**

**Setup for 100 finished wall..... 6 - 10**

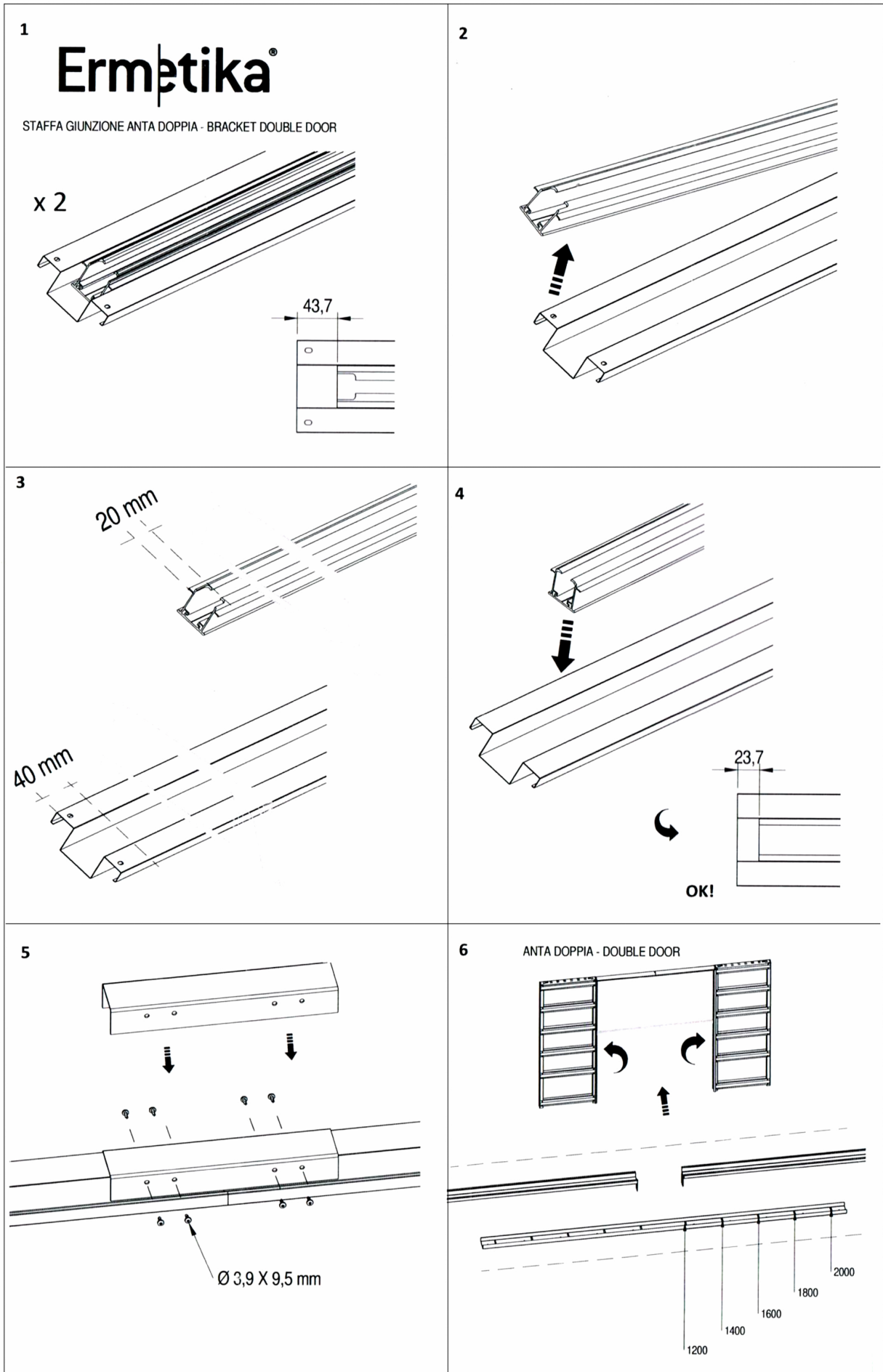
**Setup for 125 finished wall.....11 - 15**

**Setup plasterboard..... 16 - 18**

**Fitting Easy stop AB twin dual soft closer/opener.....19 - 24**

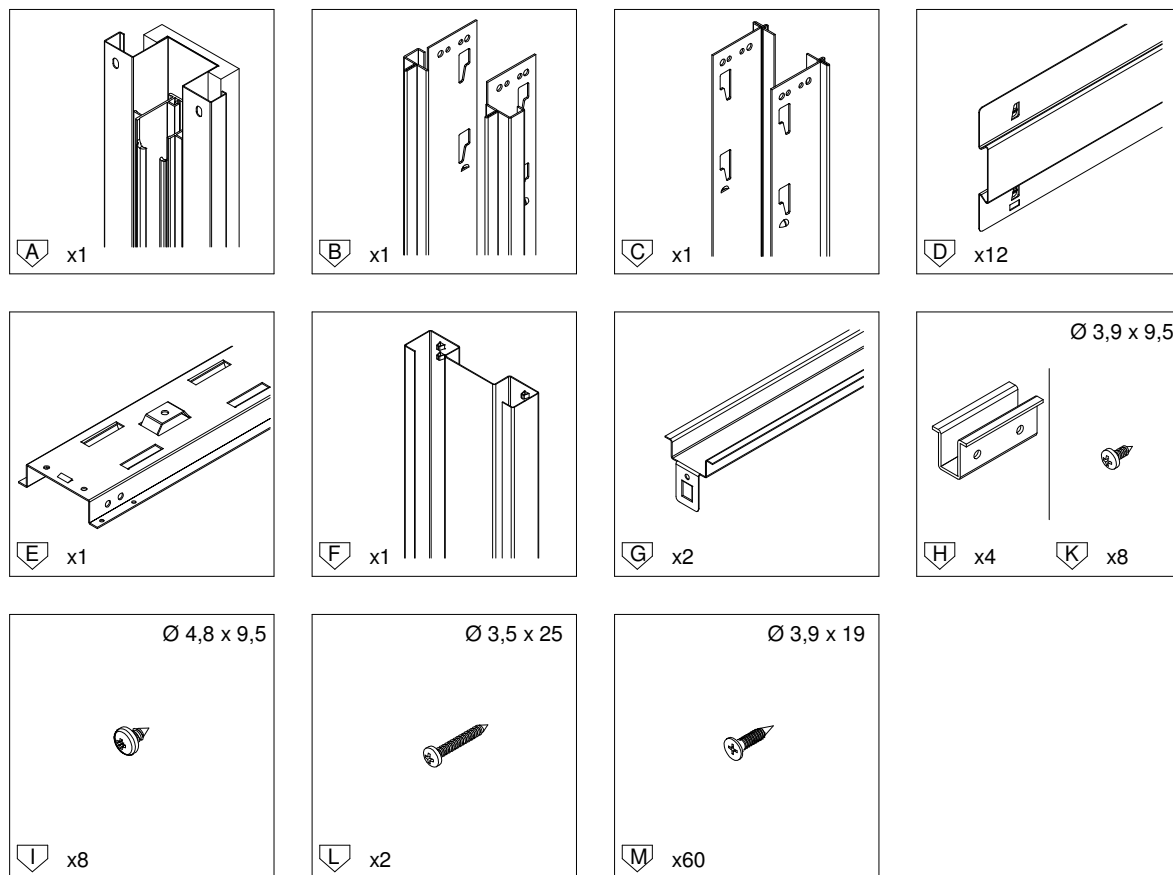
Cutting instructions for double pocket door junction bar. READ THIS INSTRUCTIONS FIRST.

Follow [this link](#) to the video guide of junction bar installation.

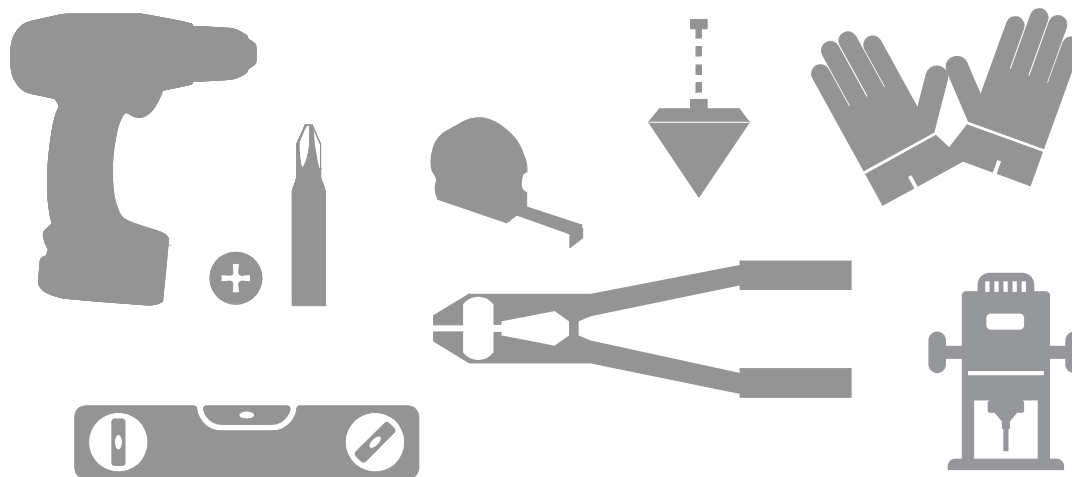


# KIT CONTENTS

## Standard equipment



## Tools



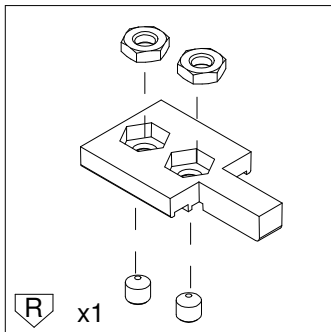
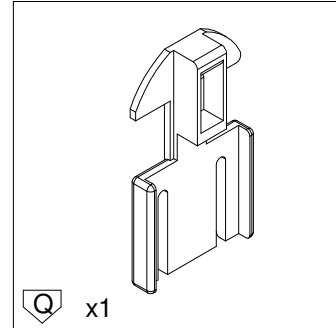
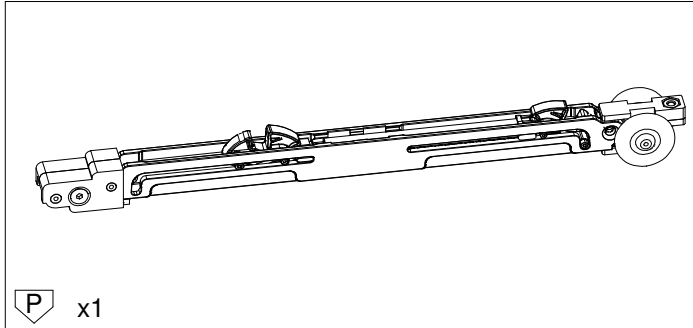
A router is required.

Subject to misprints, errors and technical modifications.  
All dimensions are in mm

# KIT CONTENTS

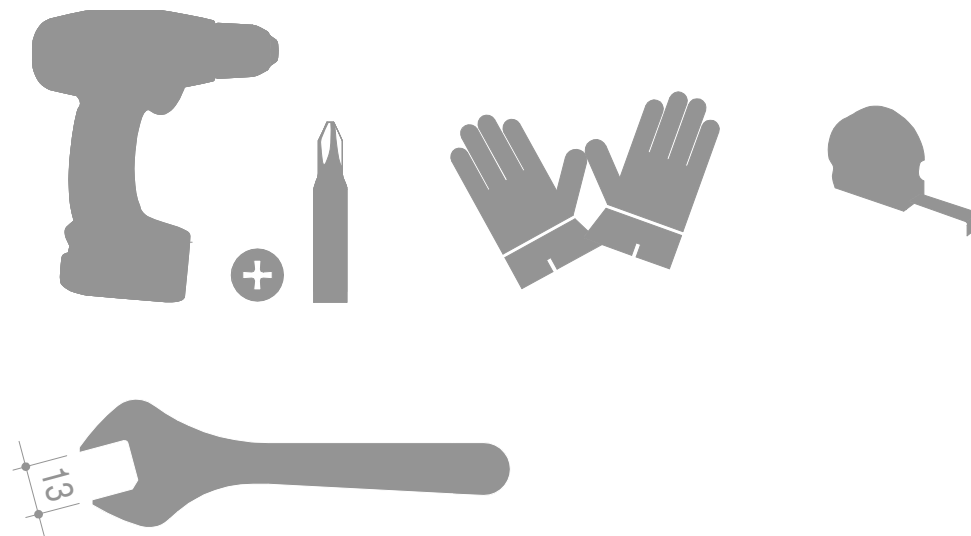
## Easystop Ab Twin - equipment

---



## Tools

---

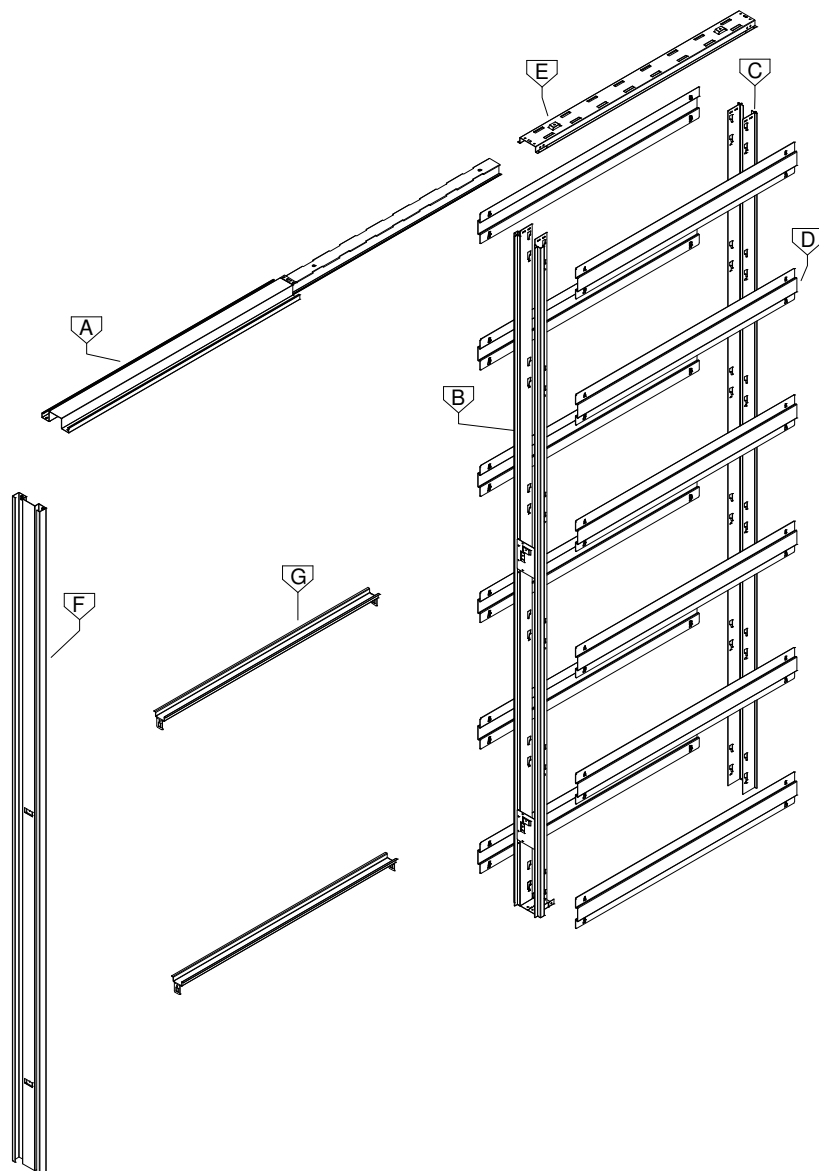


Subject to misprints, errors and technical modifications.  
All dimensions are in mm

# KIT CONTENTS

## Overall view

---



## INDEX

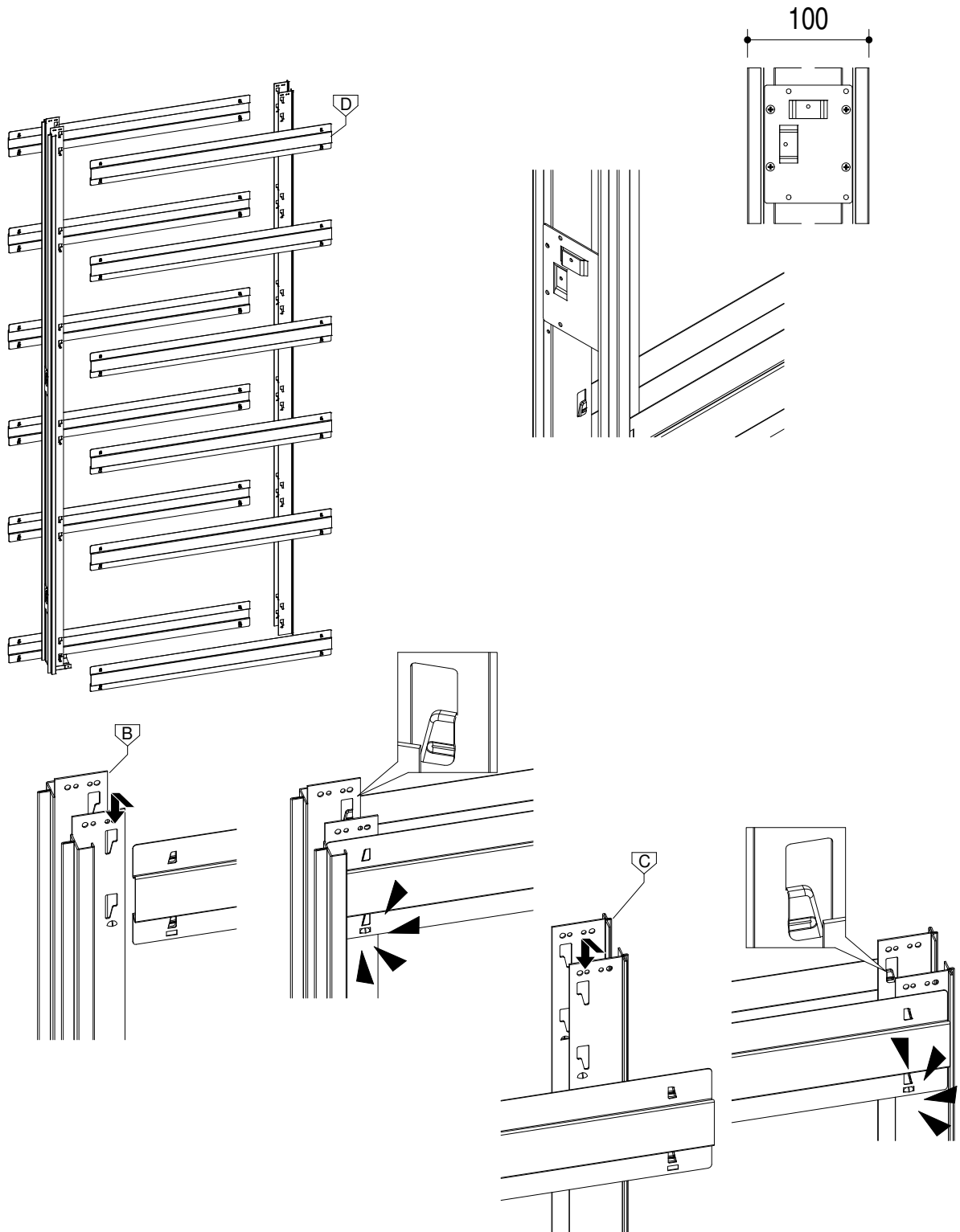
---

SETUP FOR 100MM FINISHED WALLS	4-8
SETUP FOR 125MM FINISHED WALLS	9-13
Setup of plasterboard	14-16
Setup Easystop Ab Twin - Soft Close / Open	17-21
Setup jambs and architraves	22

---

Subject to misprints, errors and technical modifications.  
All dimensions are in mm

1.1

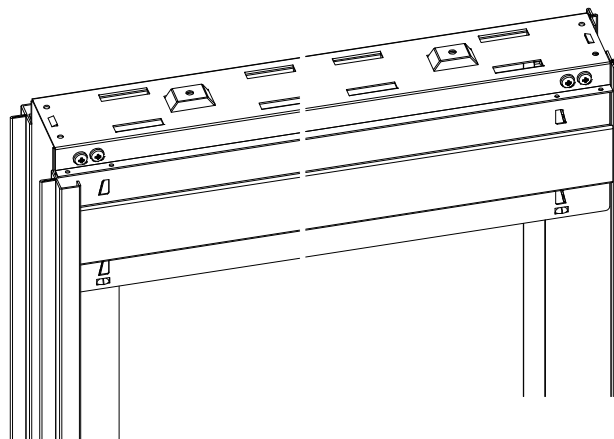
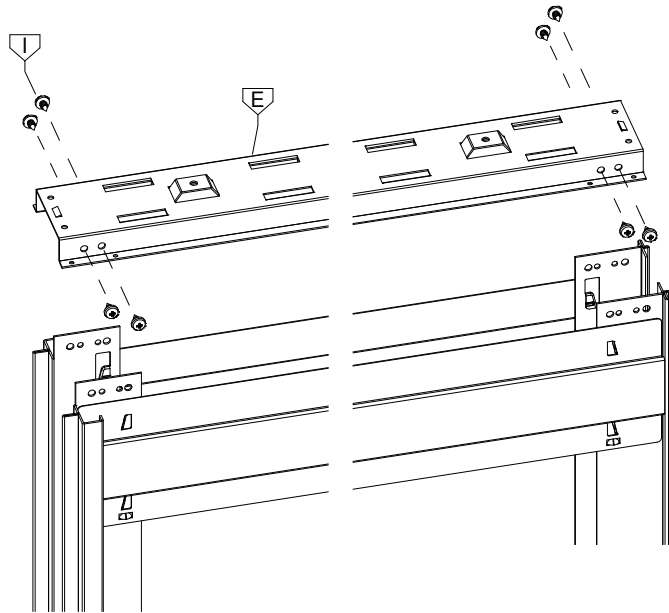
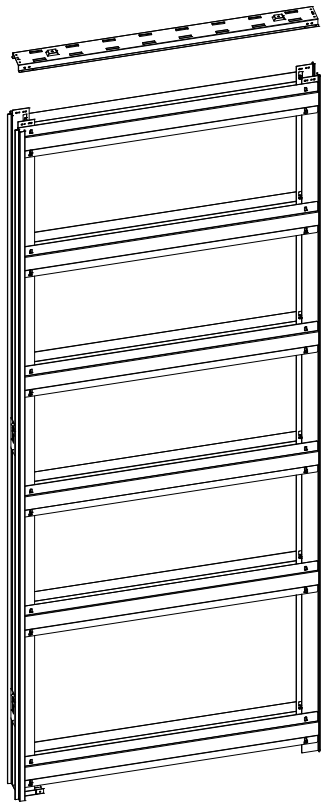


Subject to misprints, errors and technical modifications.  
All dimensions are in mm

# SETUP

## 1.2

---




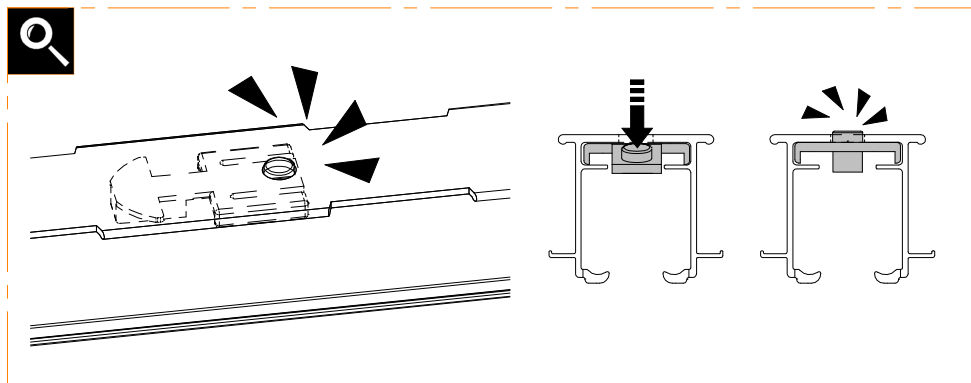
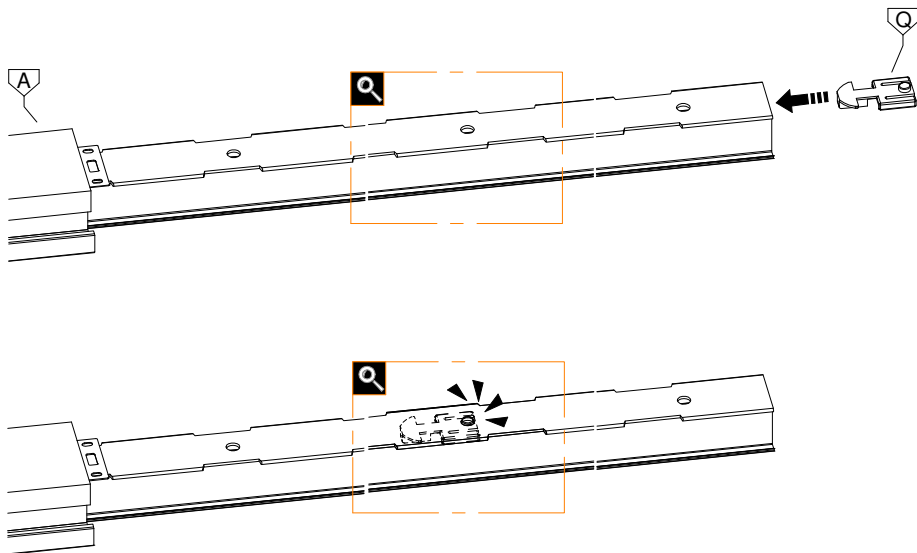
---

Subject to misprints, errors and technical modifications.  
All dimensions are in mm



1.3

 hole pre-drilled in factory

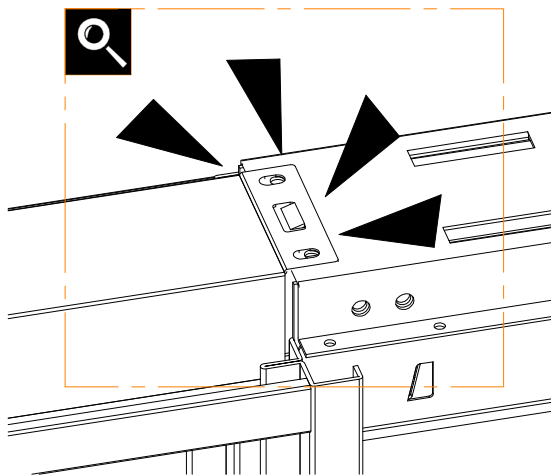
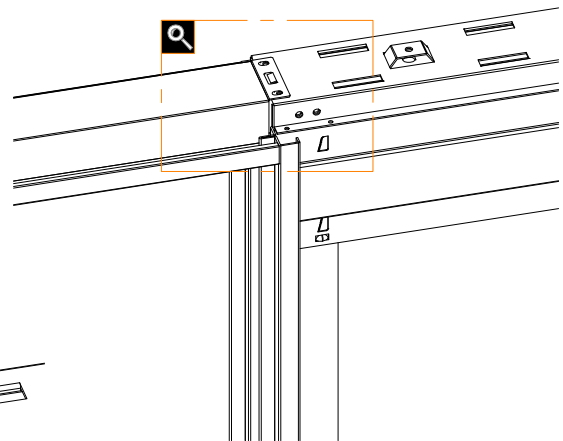
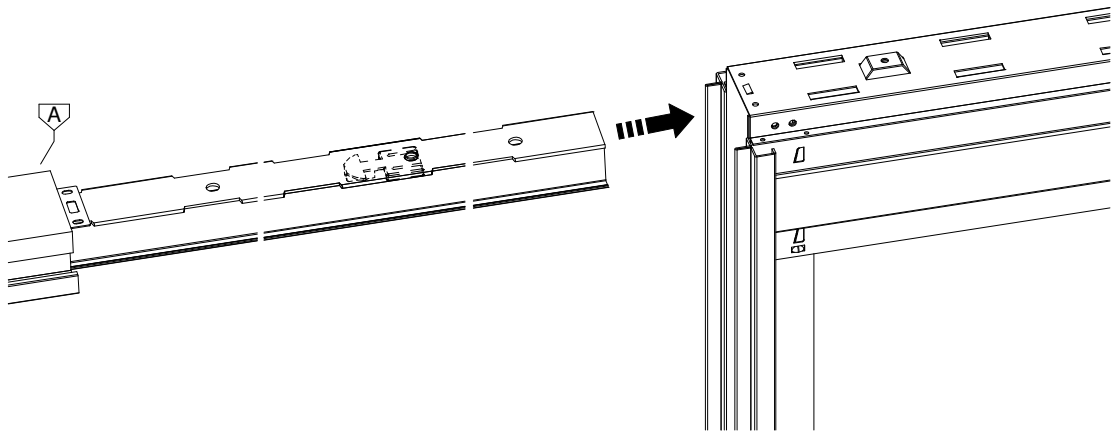


Subject to misprints, errors and technical modifications.  
All dimensions are in mm

# SETUP

## 1.4

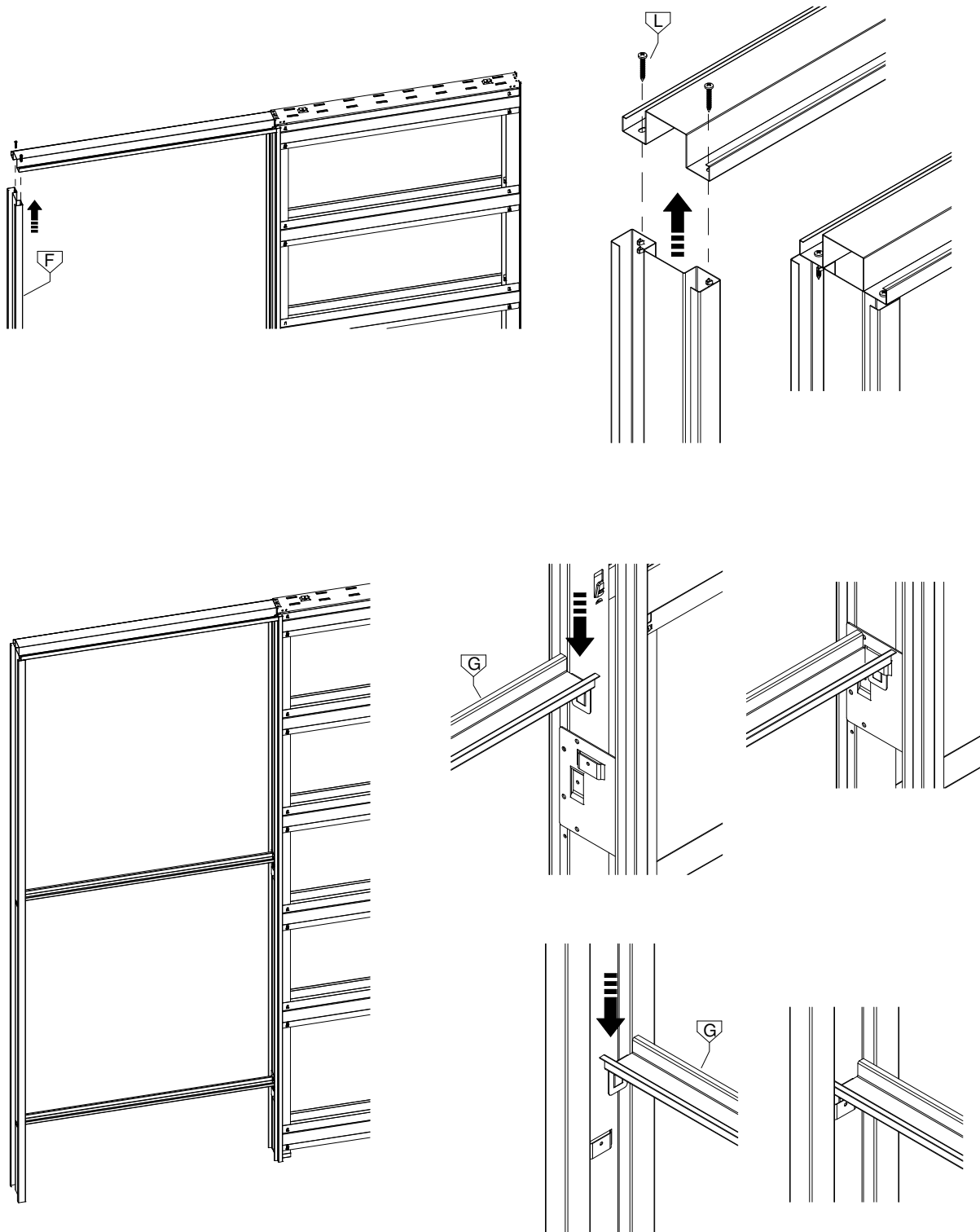
---



---

Subject to misprints, errors and technical modifications.  
All dimensions are in mm

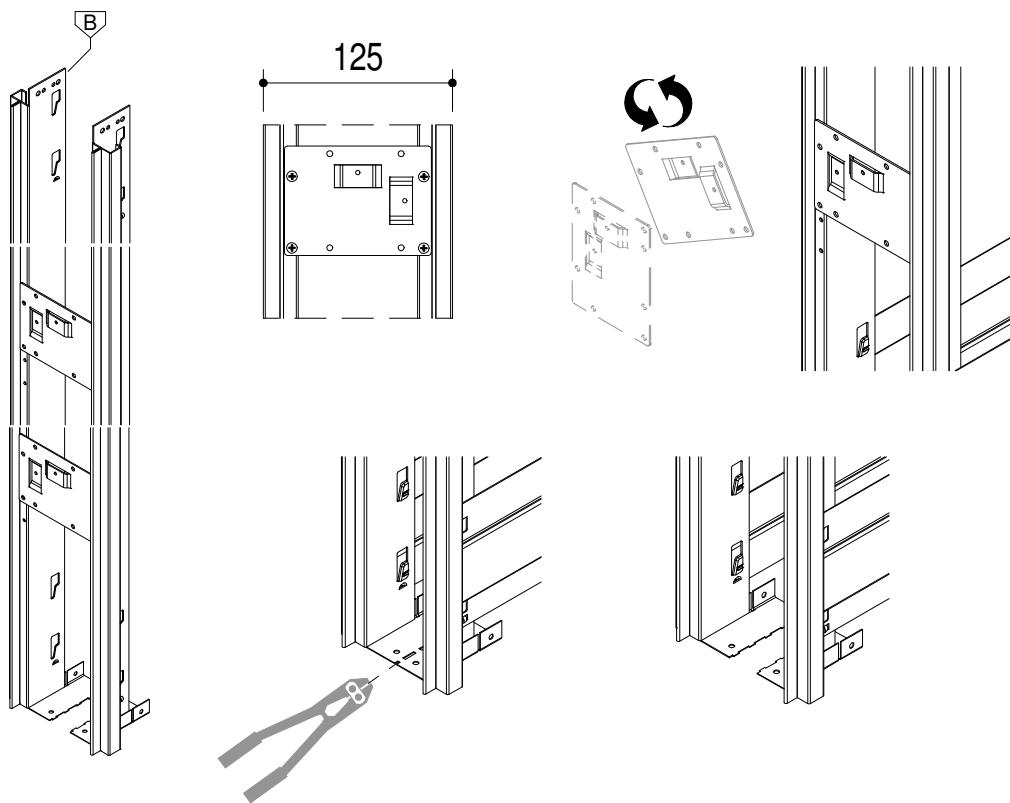
1.5



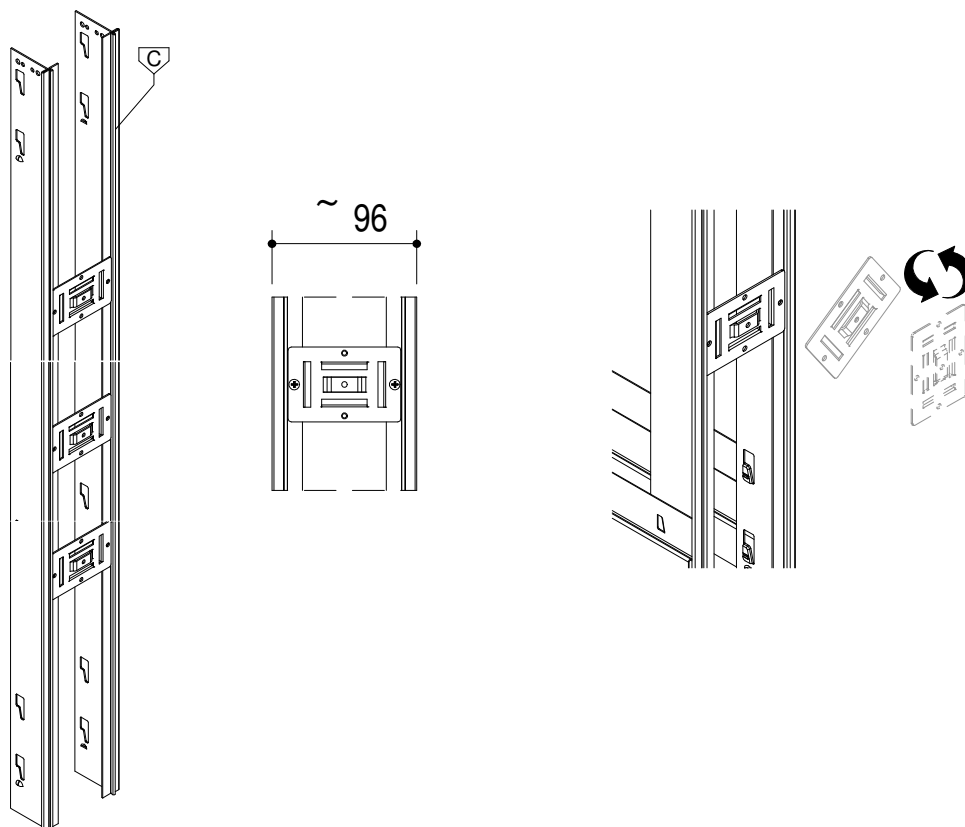
Subject to misprints, errors and technical modifications.  
All dimensions are in mm

# SETUP

## 2.1

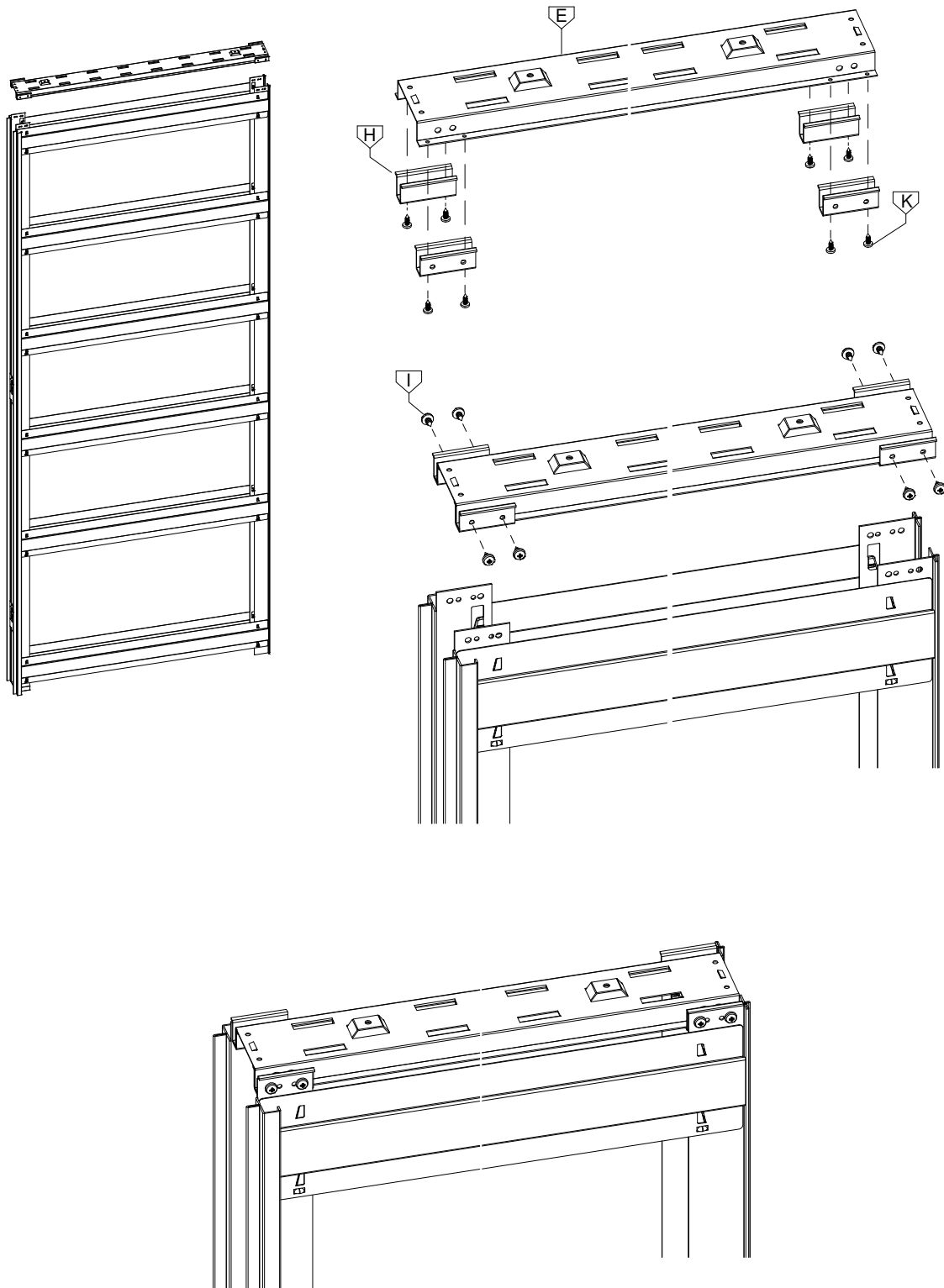


## 2.2



Subject to misprints, errors and technical modifications.  
All dimensions are in mm


2.3

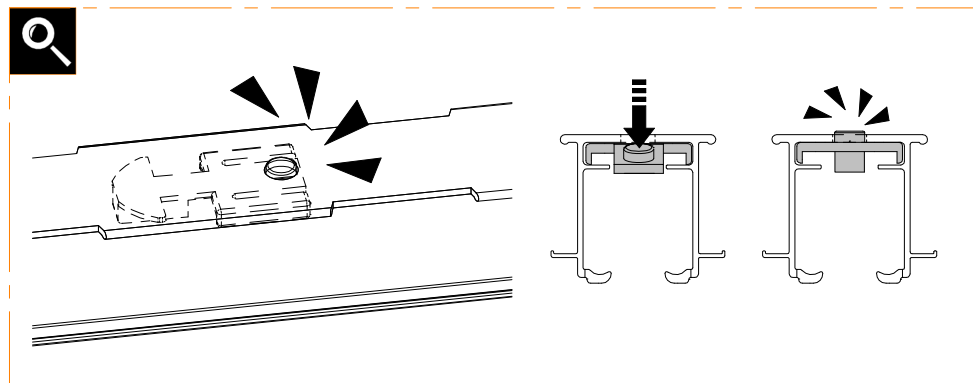
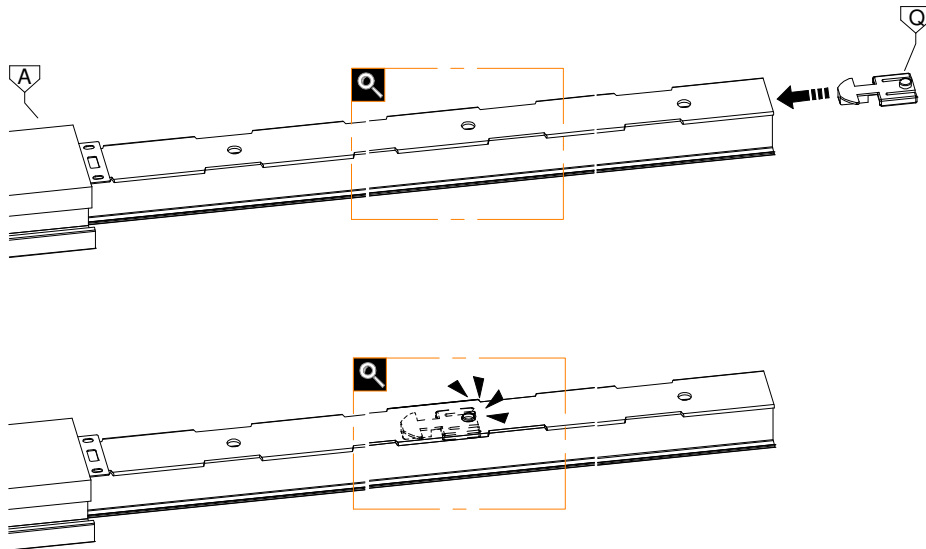


Subject to misprints, errors and technical modifications.  
All dimensions are in mm

# SETUP

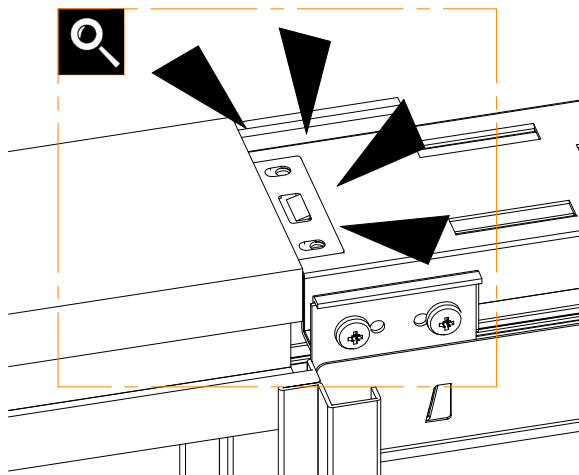
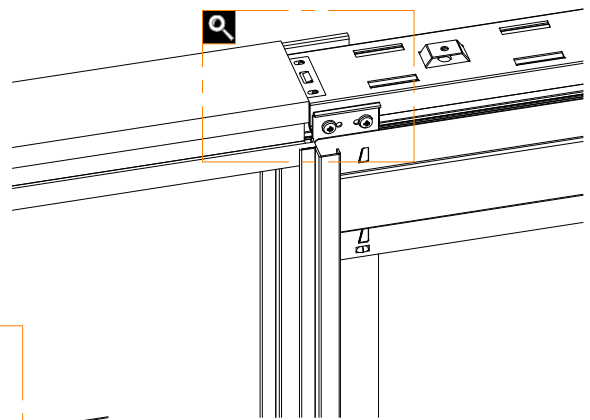
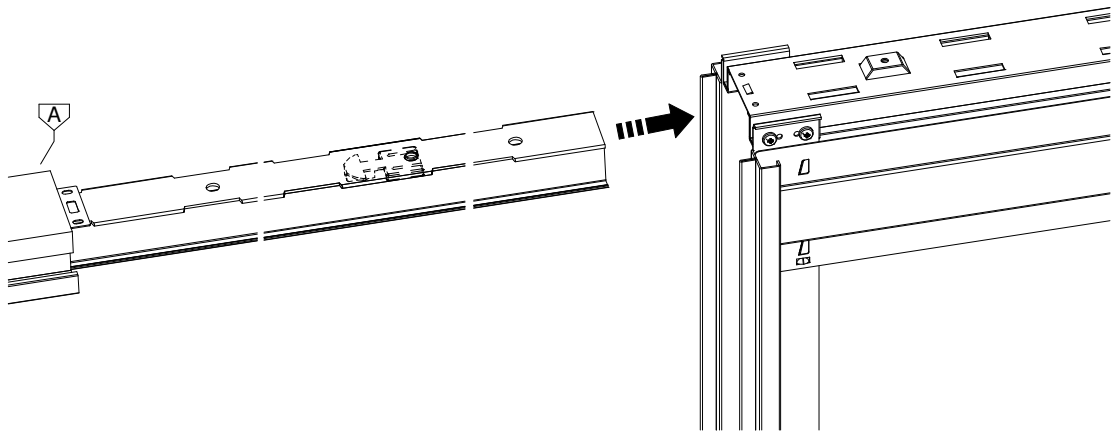
## 2.4

 hole pre-drilled in factory



Subject to misprints, errors and technical modifications.  
All dimensions are in mm

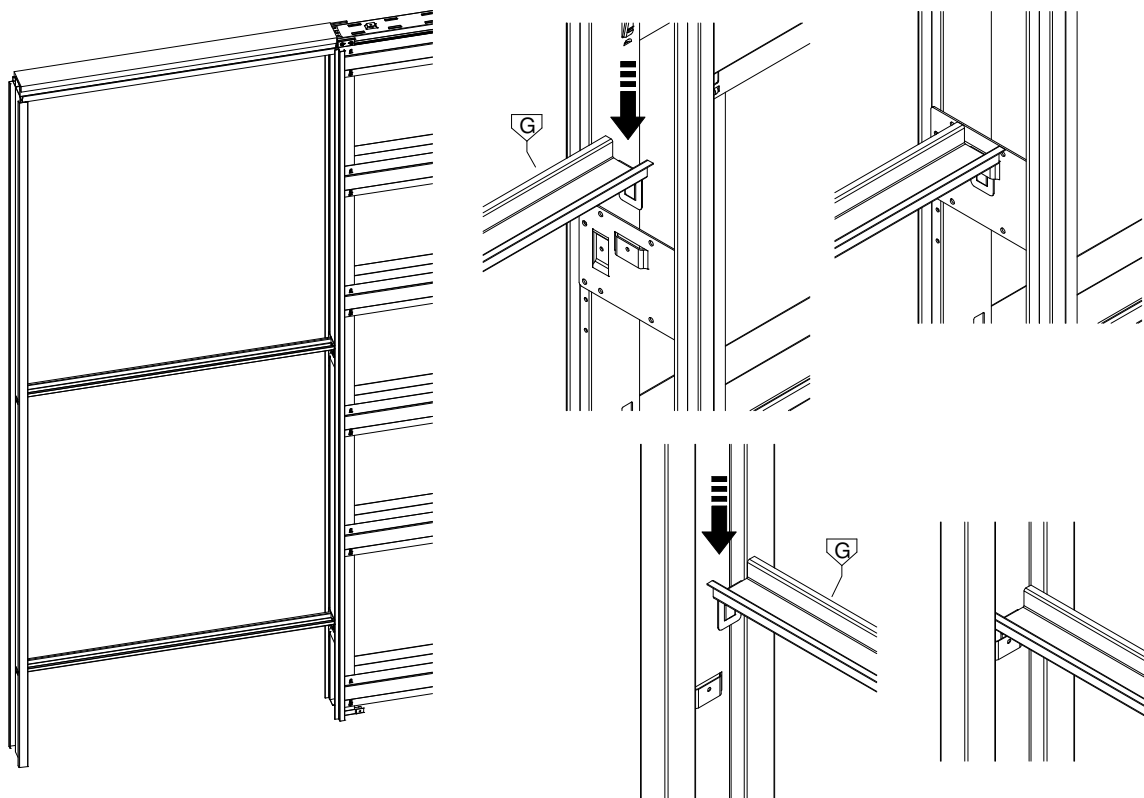
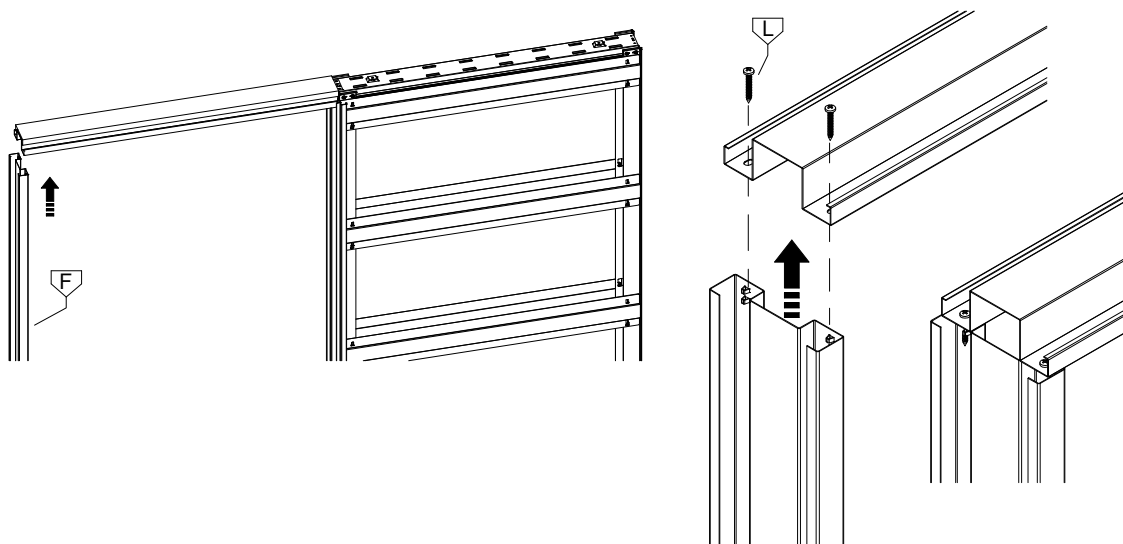
2.5



Subject to misprints, errors and technical modifications.  
All dimensions are in mm

# SETUP

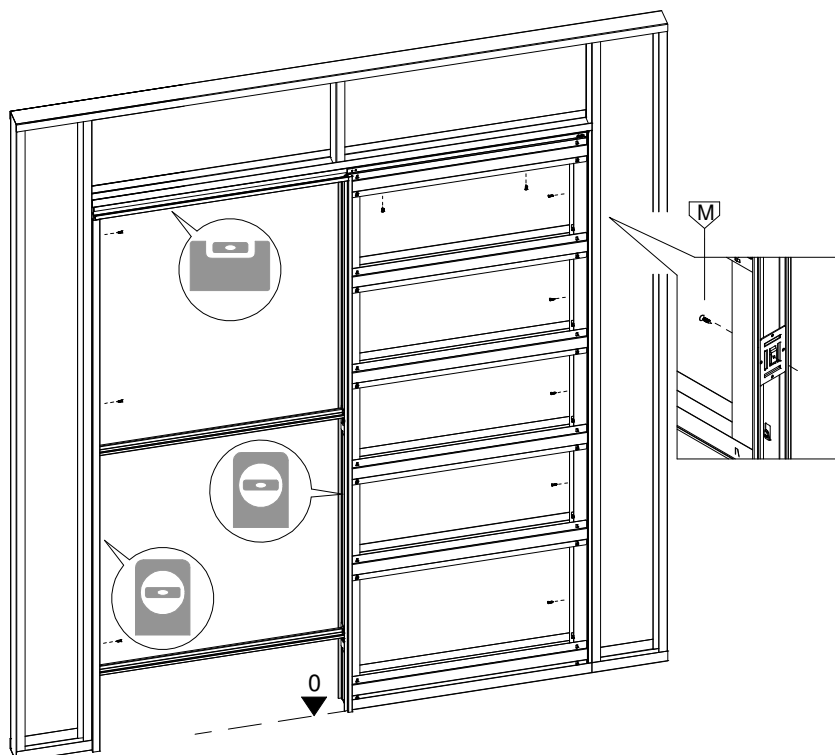
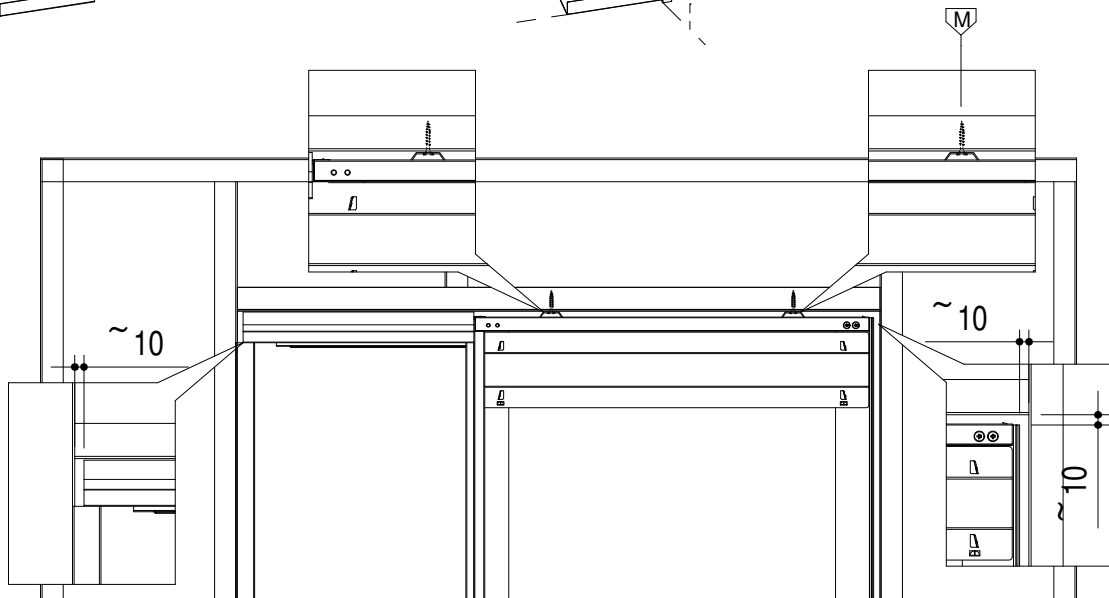
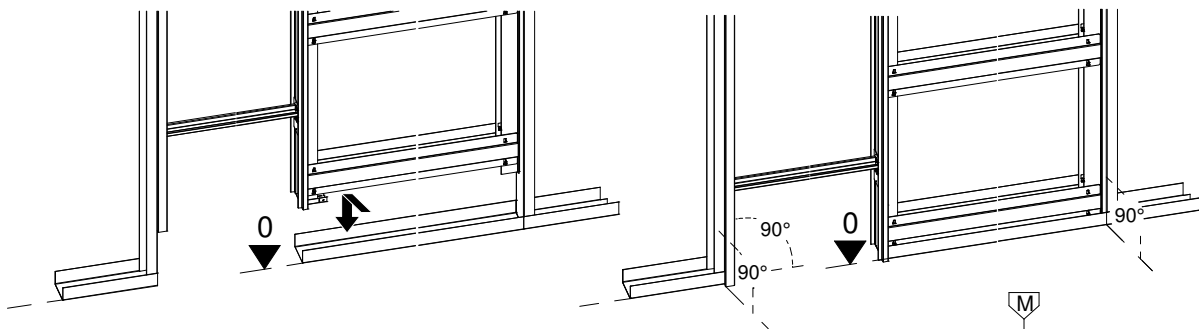
## 2.6



Subject to misprints, errors and technical modifications.  
All dimensions are in mm



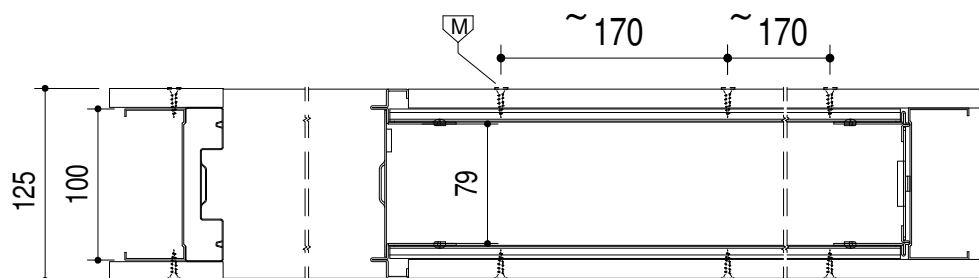
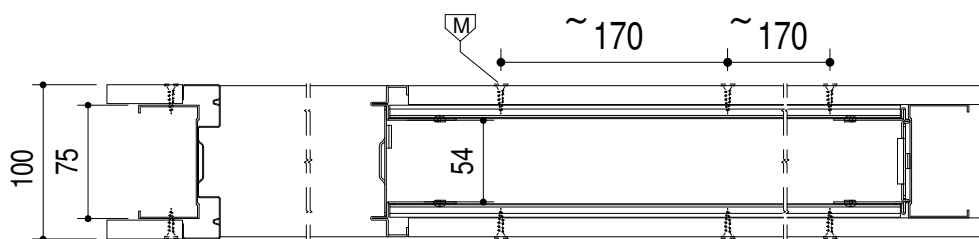
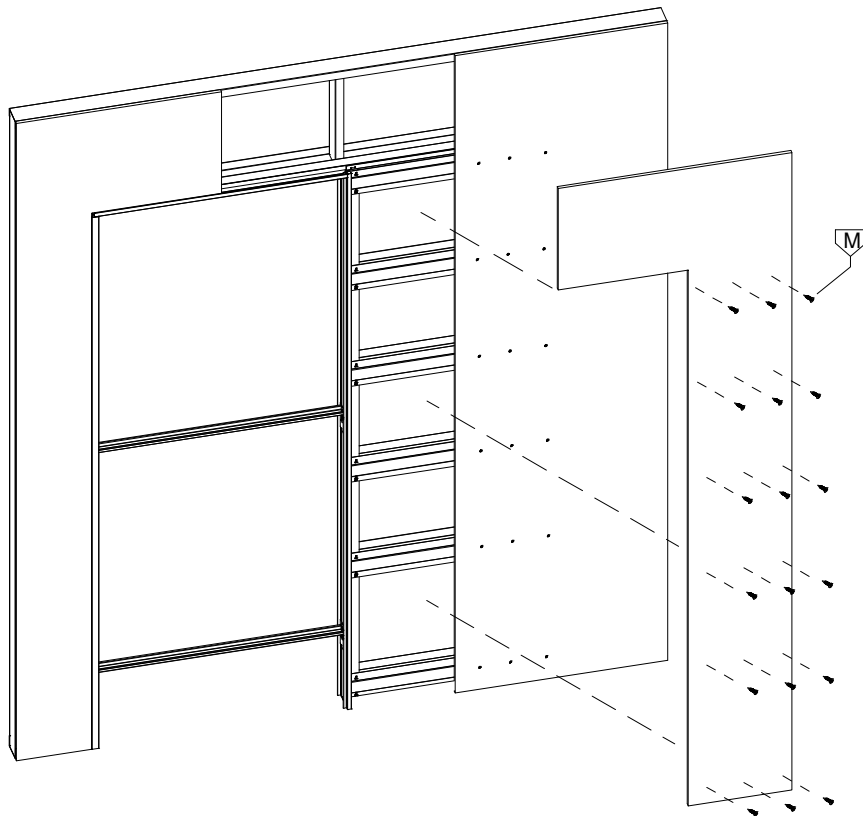
3.1



Subject to misprints, errors and technical modifications.  
All dimensions are in mm

# SETUP

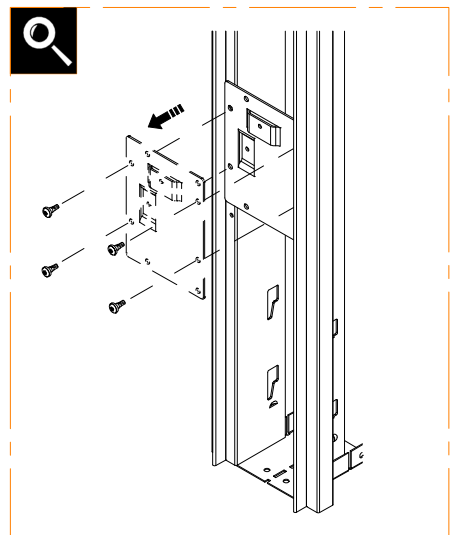
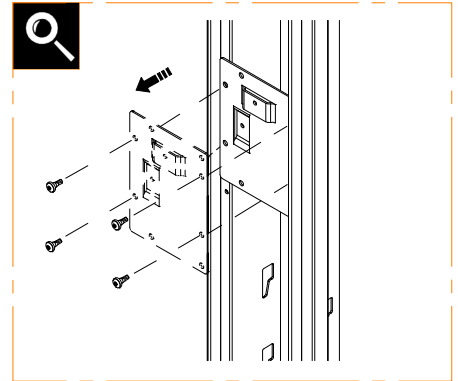
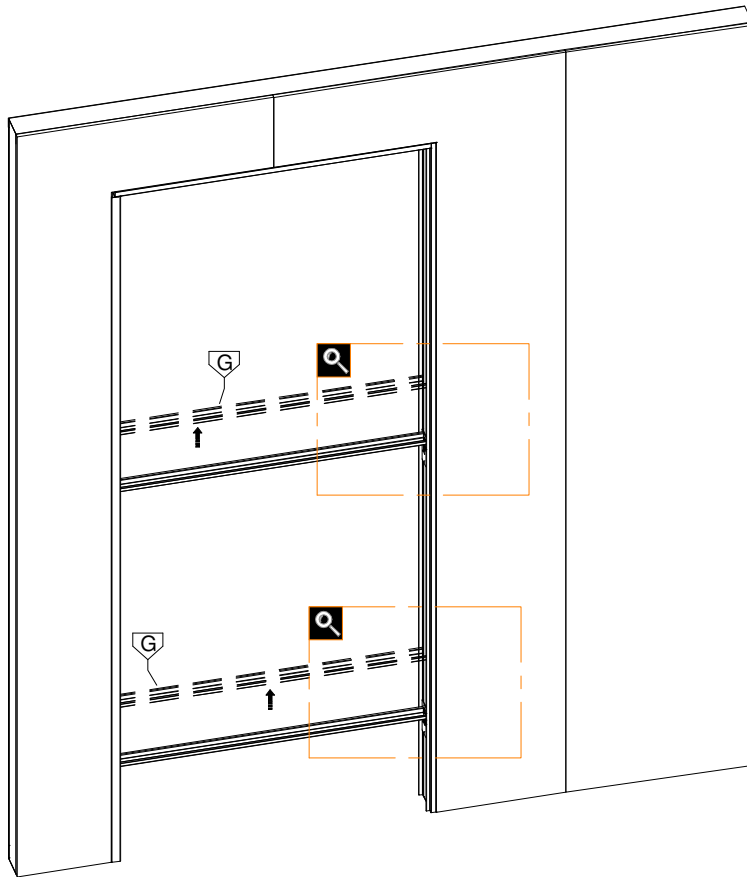
## 3.2



**ATTENTION: USE ONLY SCREWS INCLUDED IN KIT !**

Subject to misprints, errors and technical modifications.  
All dimensions are in mm

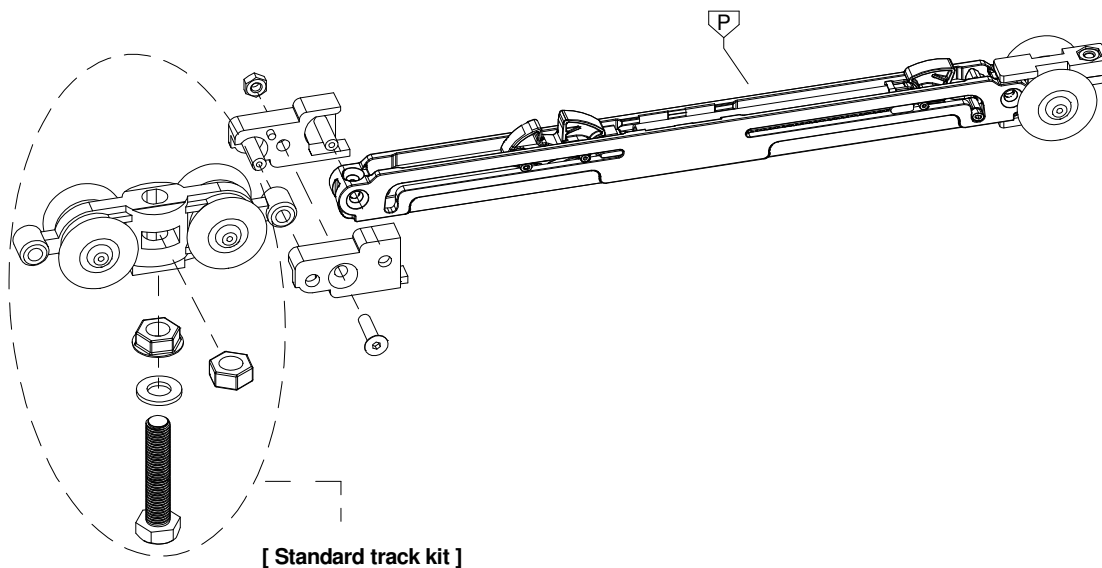
3.3



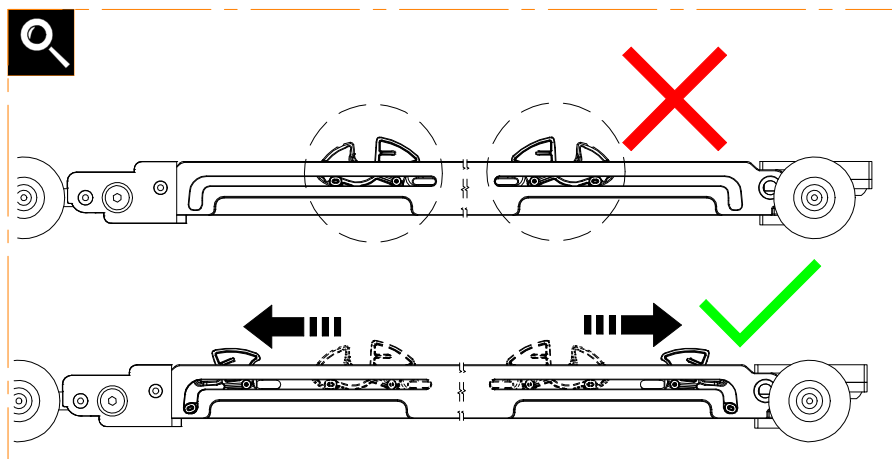
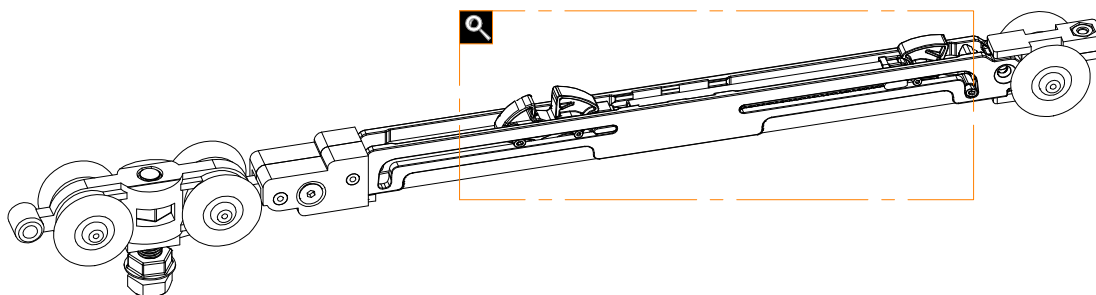
Subject to misprints, errors and technical modifications.  
All dimensions are in mm



## 4.1

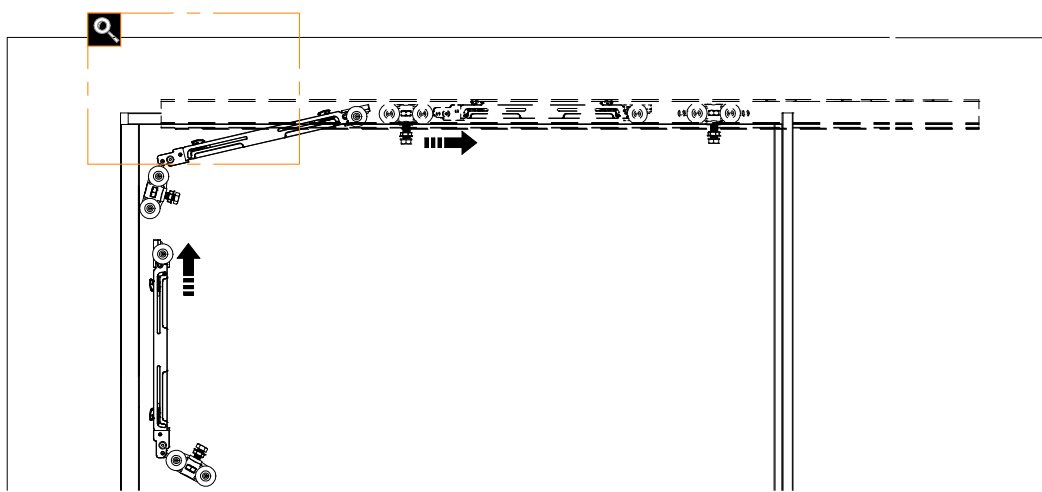
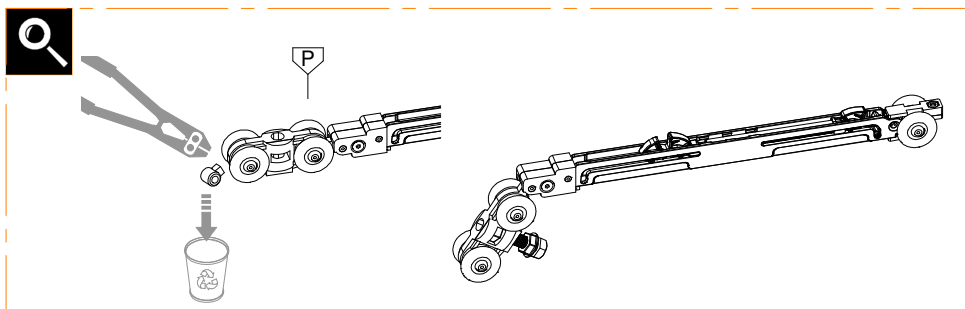
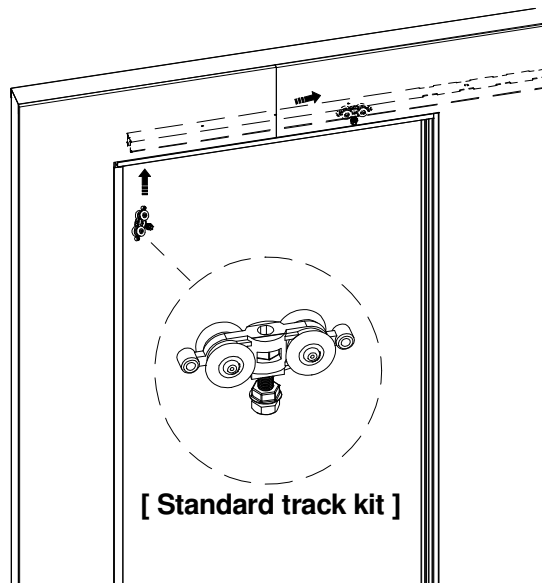


## 4.2



Subject to misprints, errors and technical modifications.  
All dimensions are in mm

4.3

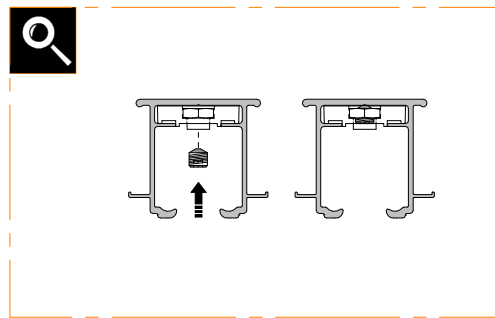
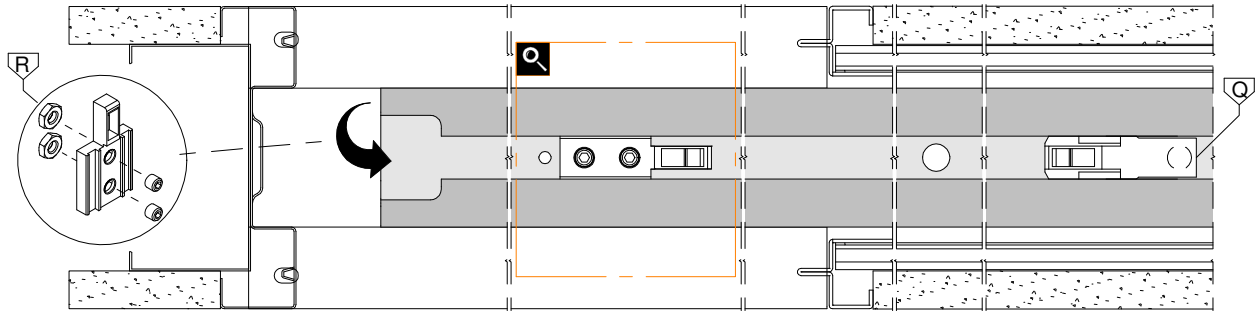


Subject to misprints, errors and technical modifications.  
All dimensions are in mm



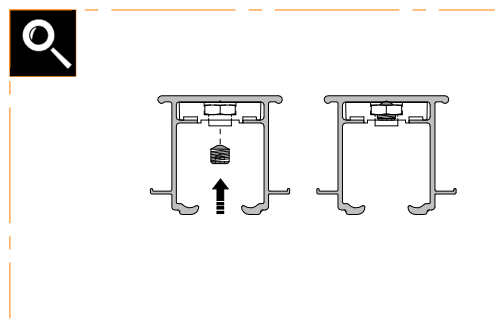
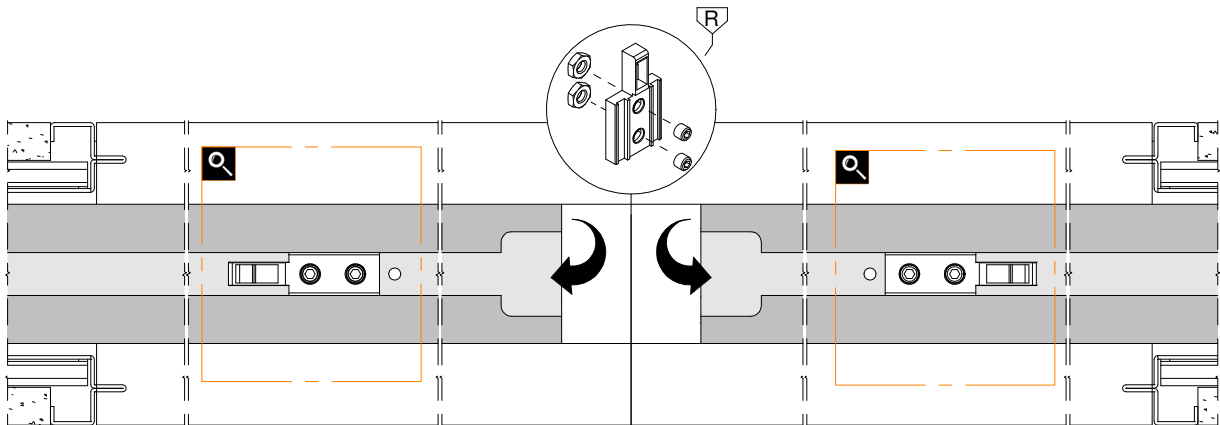
4.6

ACTIVATOR POSITION FOR WOOD / GLASS SINGLE DOOR



4.7

ACTIVATOR POSITION FOR WOOD / GLASS DOUBLE DOOR

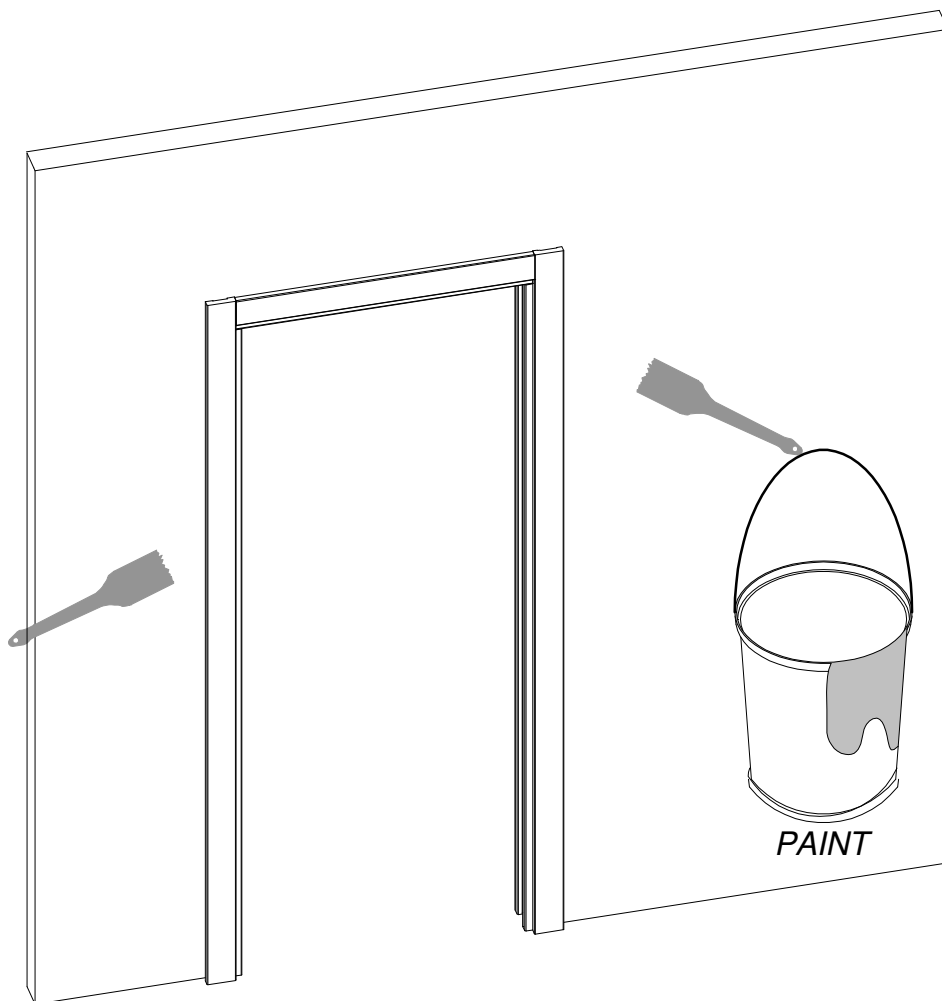
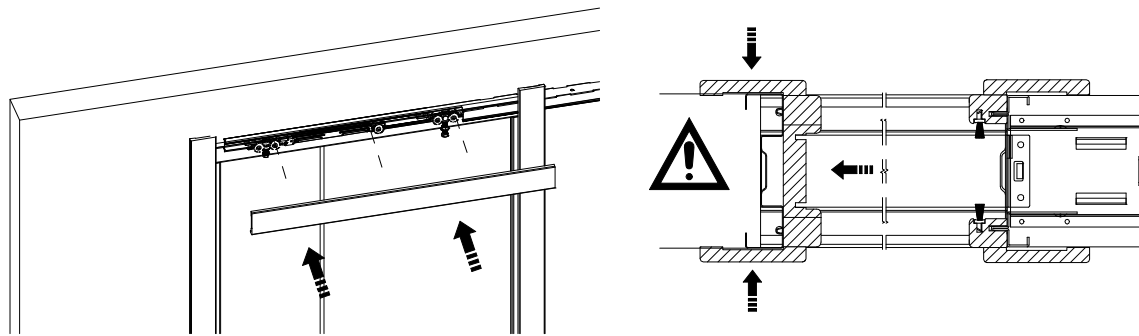


Subject to misprints, errors and technical modifications.  
All dimensions are in mm





4.9



Subject to misprints, errors and technical modifications.  
All dimensions are in mm