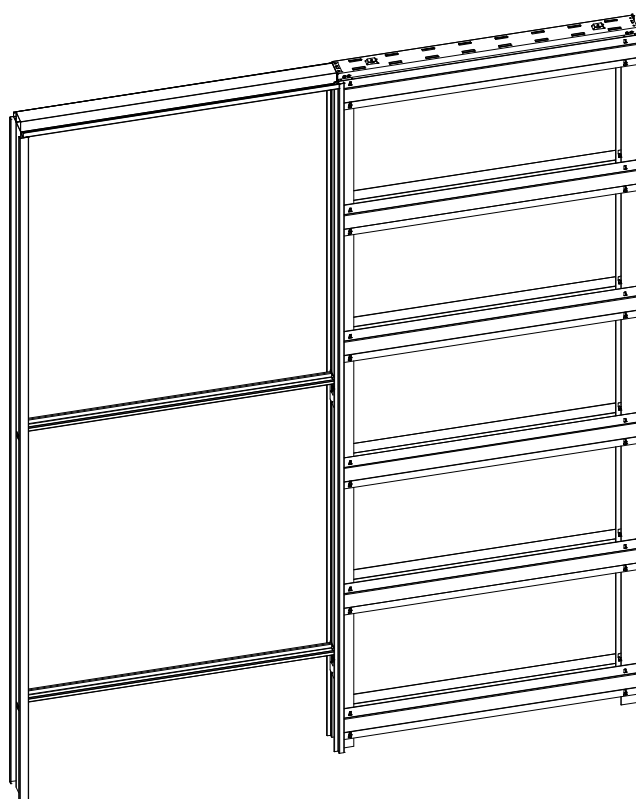


**Ermetika**<sup>®</sup>  
INSIDE WALLS



**SETUP INSTRUCTION**

**EVOKIT**

INDEX

---

**Junction Bar..... 2**

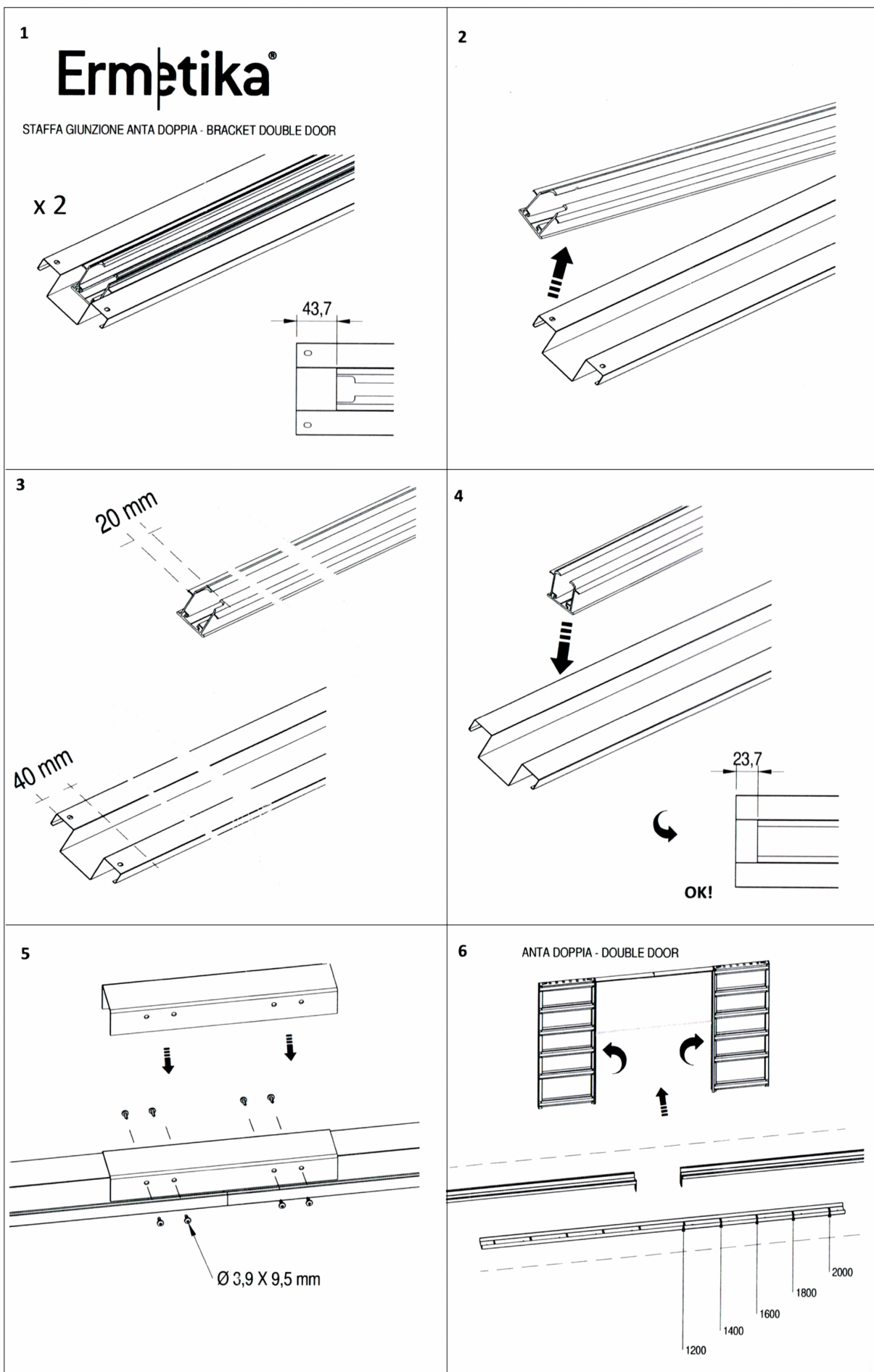
**Setup for 100 finished wall..... 6 - 10**

**Setup for 125 finished wall.....11 - 15**

**Setup plasterboard..... 16 - 19**

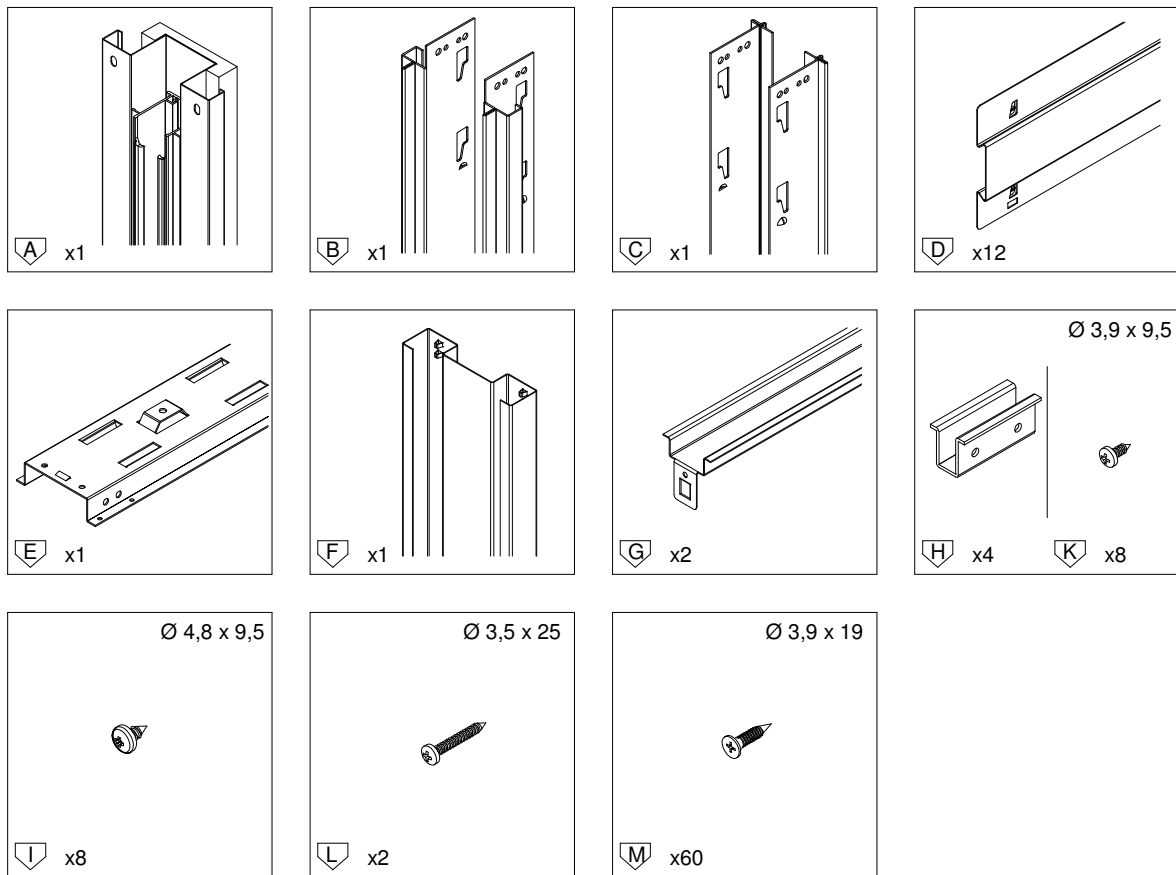
Cutting instructions for double pocket door junction bar. READ THIS INSTRUCTIONS FIRST.

Follow [this link](#) to the video guide of junction bar installation.

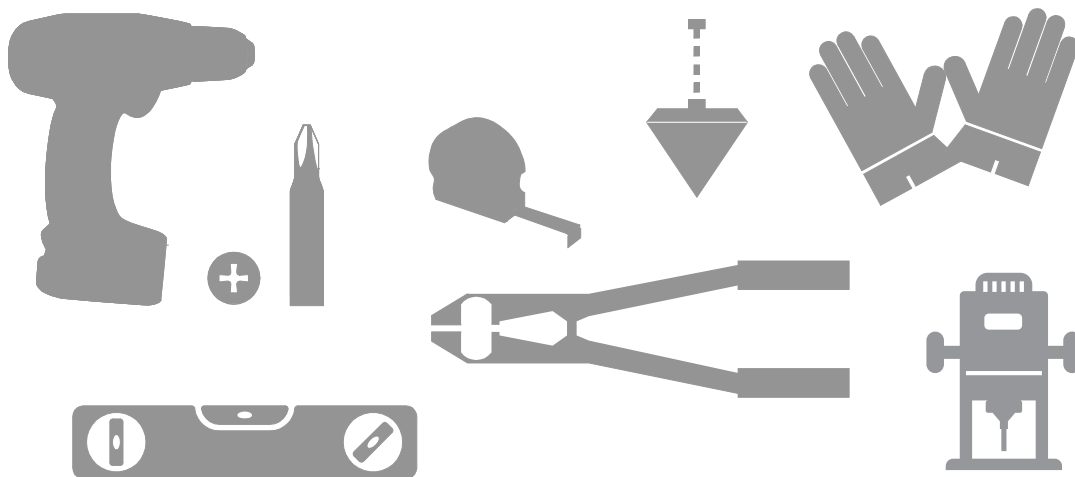


# KIT CONTENTS

## Standard equipment



## Tools



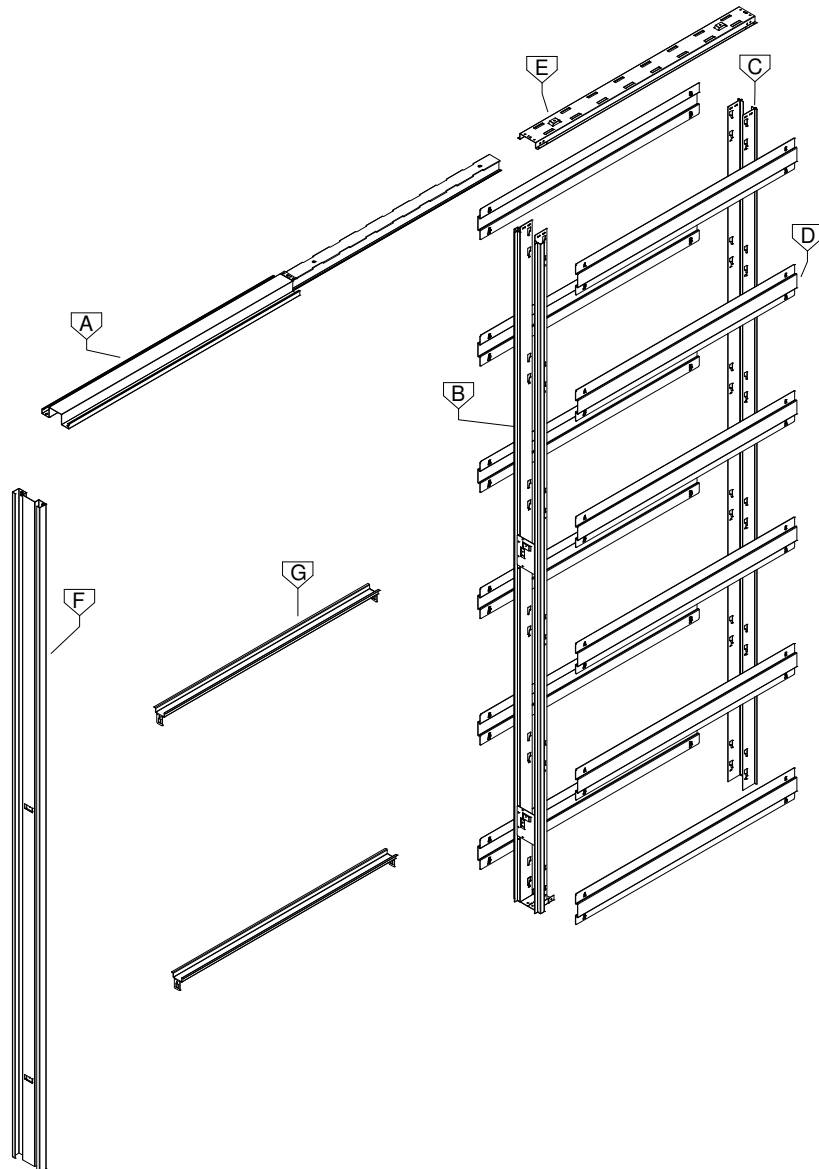
A router is required.

Subject to misprints, errors and technical modifications.  
All dimensions are in mm

# KIT CONTENTS

## Overall view

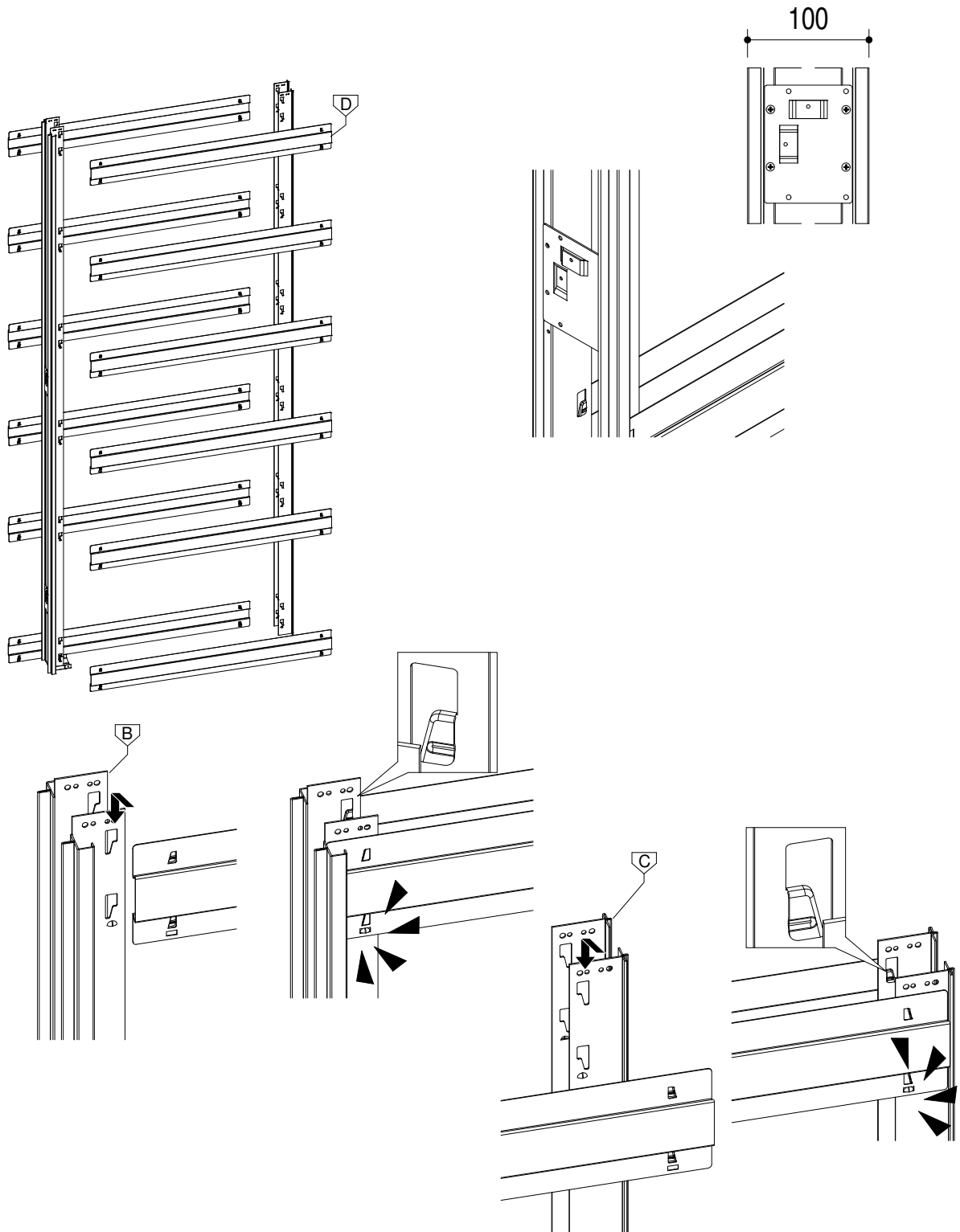
---



---

Subject to misprints, errors and technical modifications.  
All dimensions are in mm

1.1

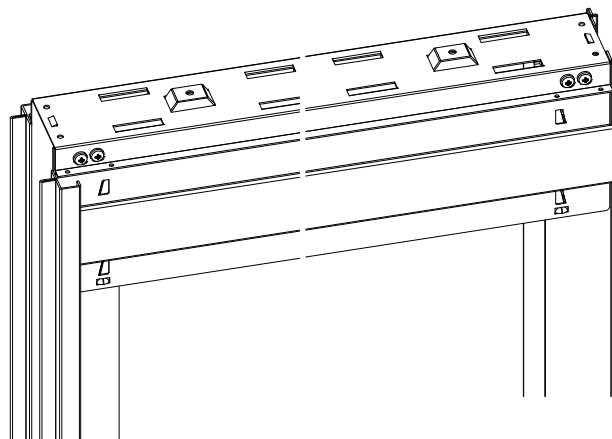
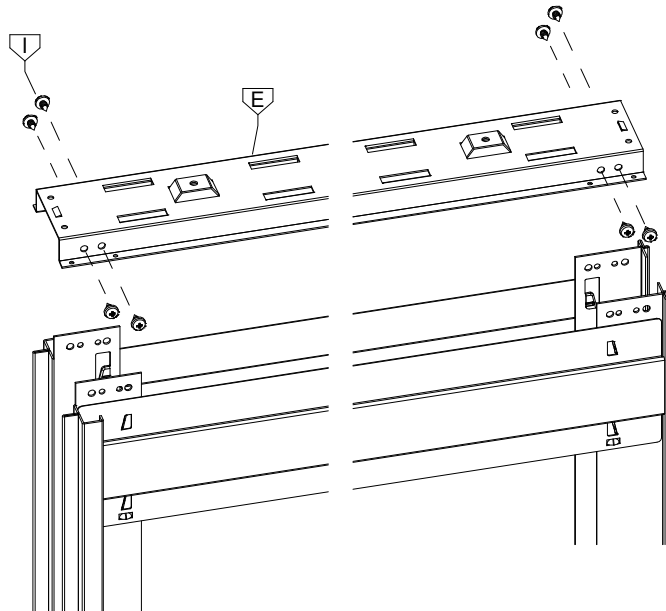
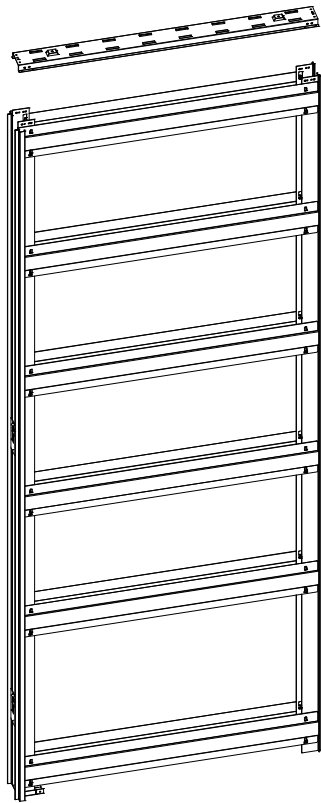


Subject to misprints, errors and technical modifications.  
All dimensions are in mm

# SETUP

## 1.2


---

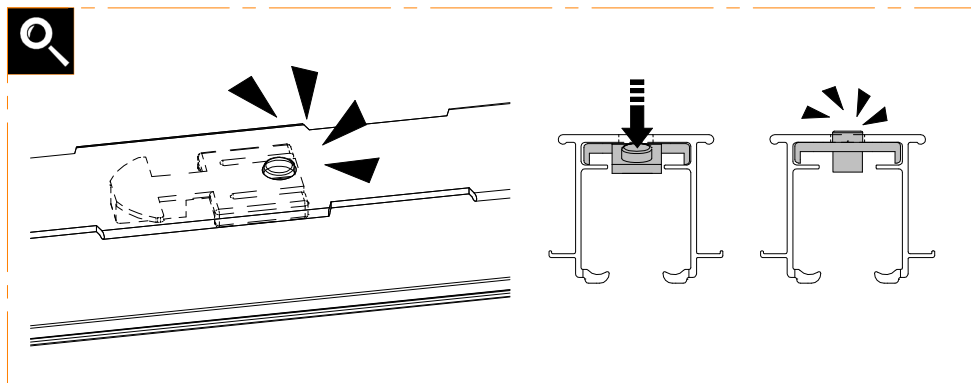
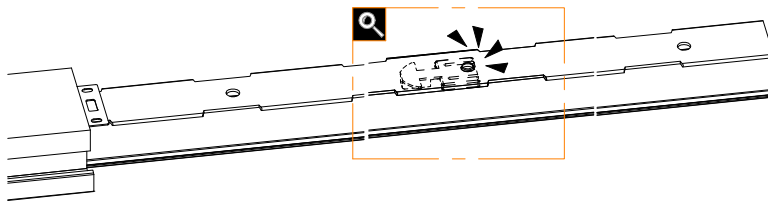
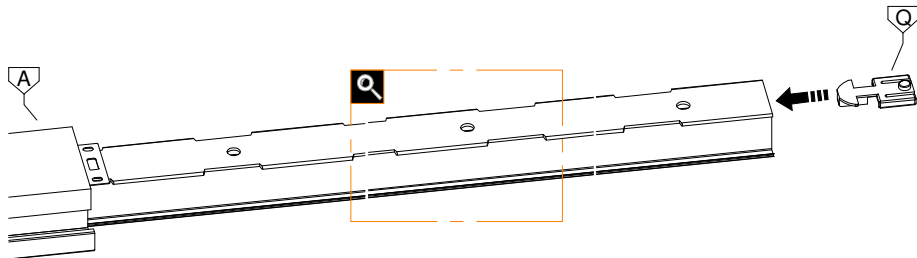


---

Subject to misprints, errors and technical modifications.  
All dimensions are in mm

1.3

 hole pre-drilled in factory



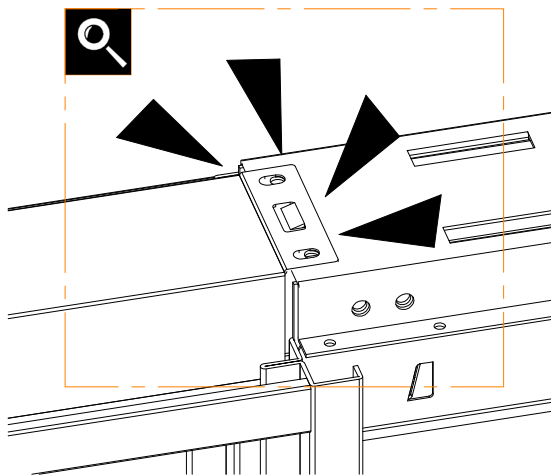
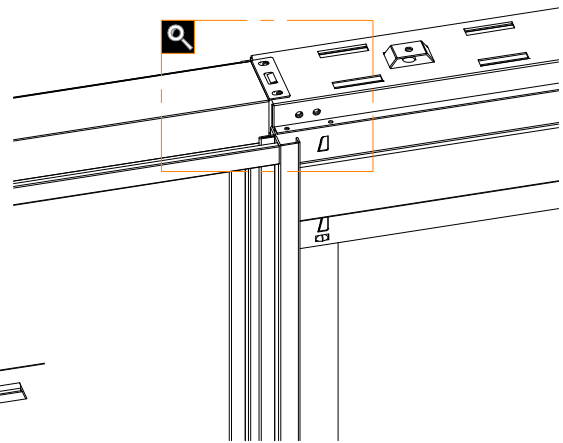
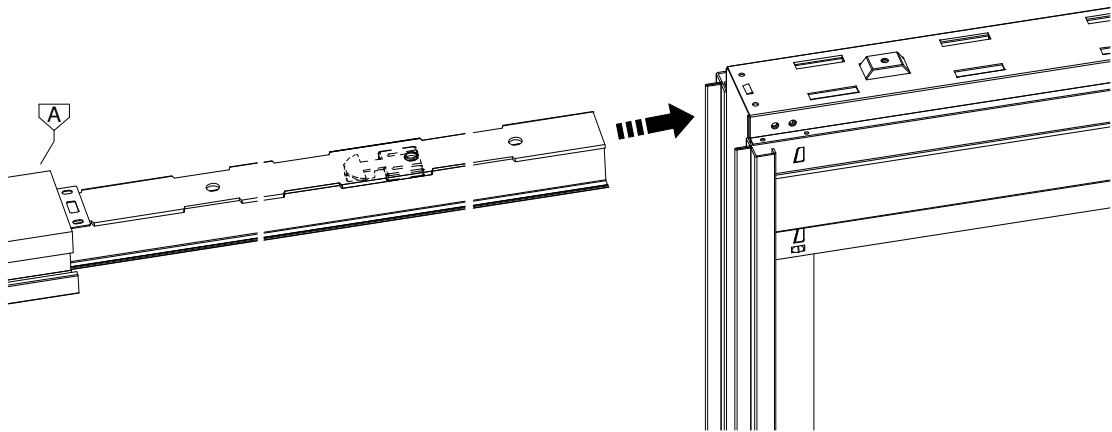
Subject to misprints, errors and technical modifications.  
All dimensions are in mm



# SETUP

## 1.4

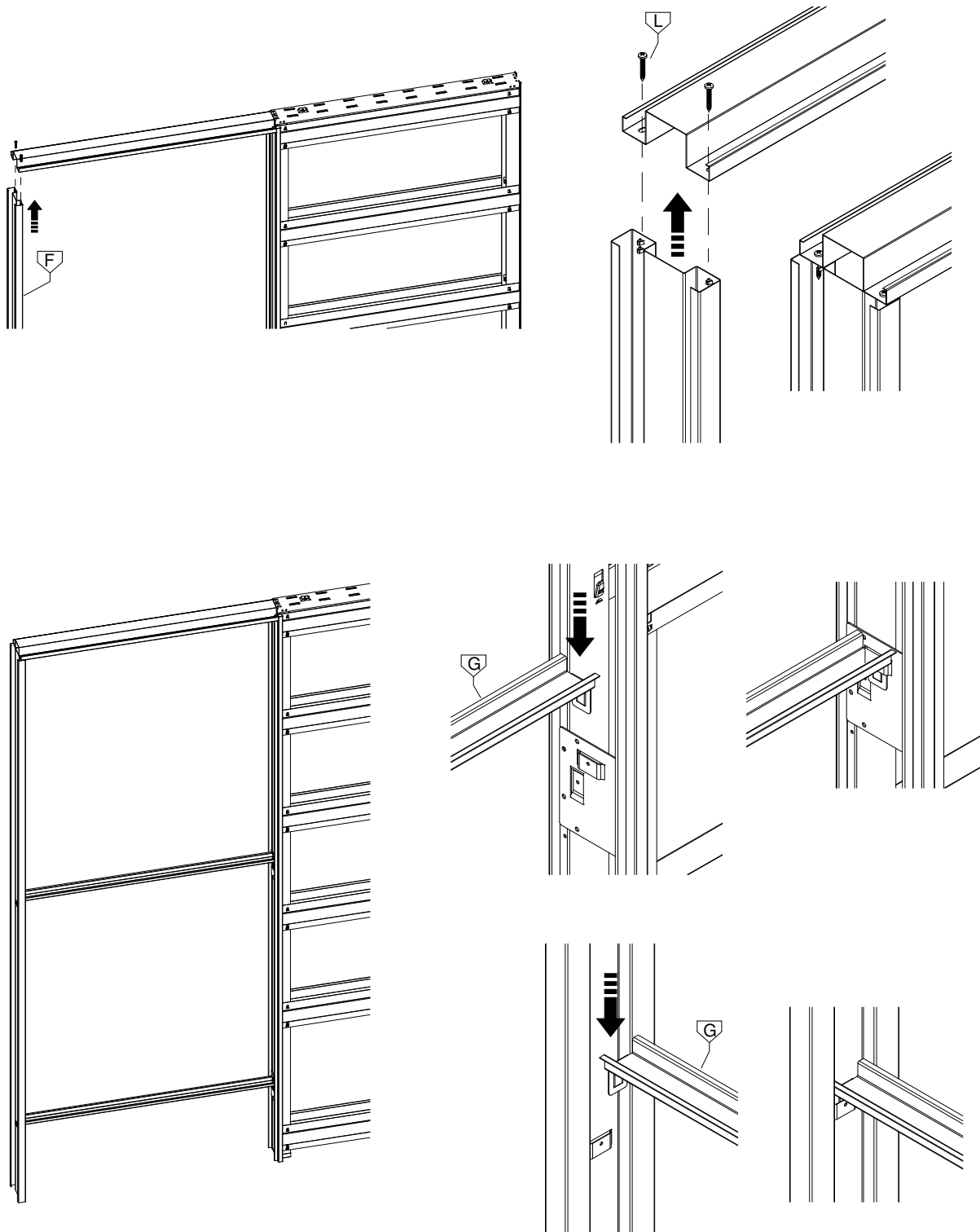
---



---

Subject to misprints, errors and technical modifications.  
All dimensions are in mm

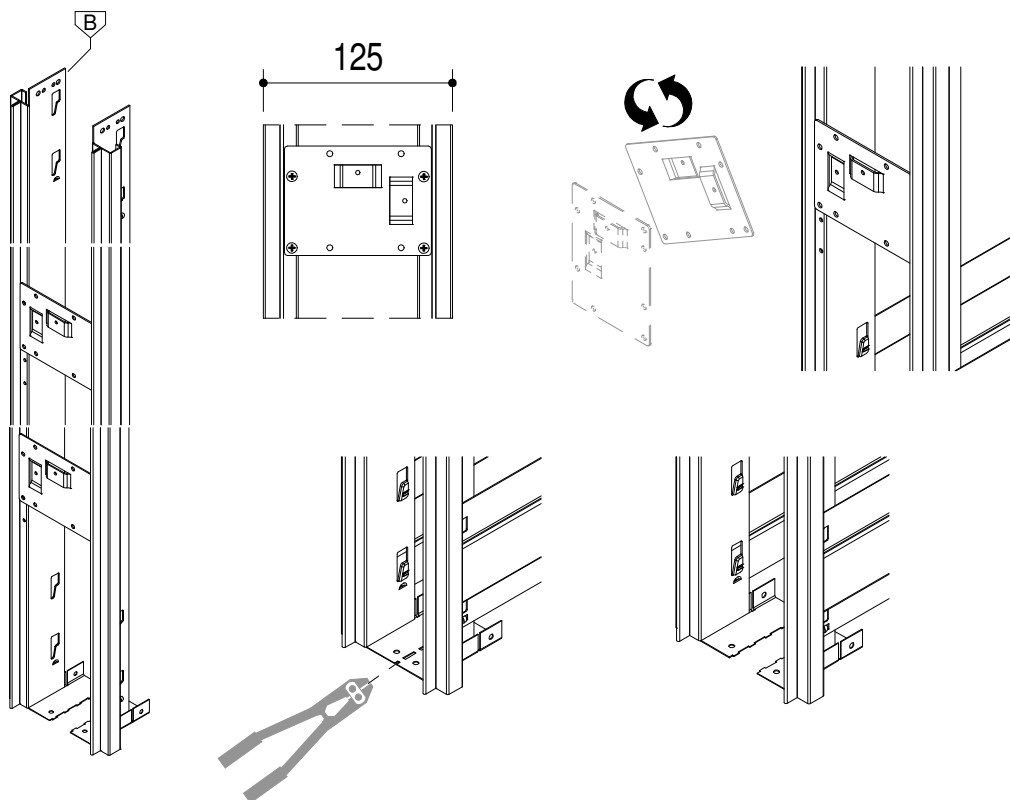
1.5



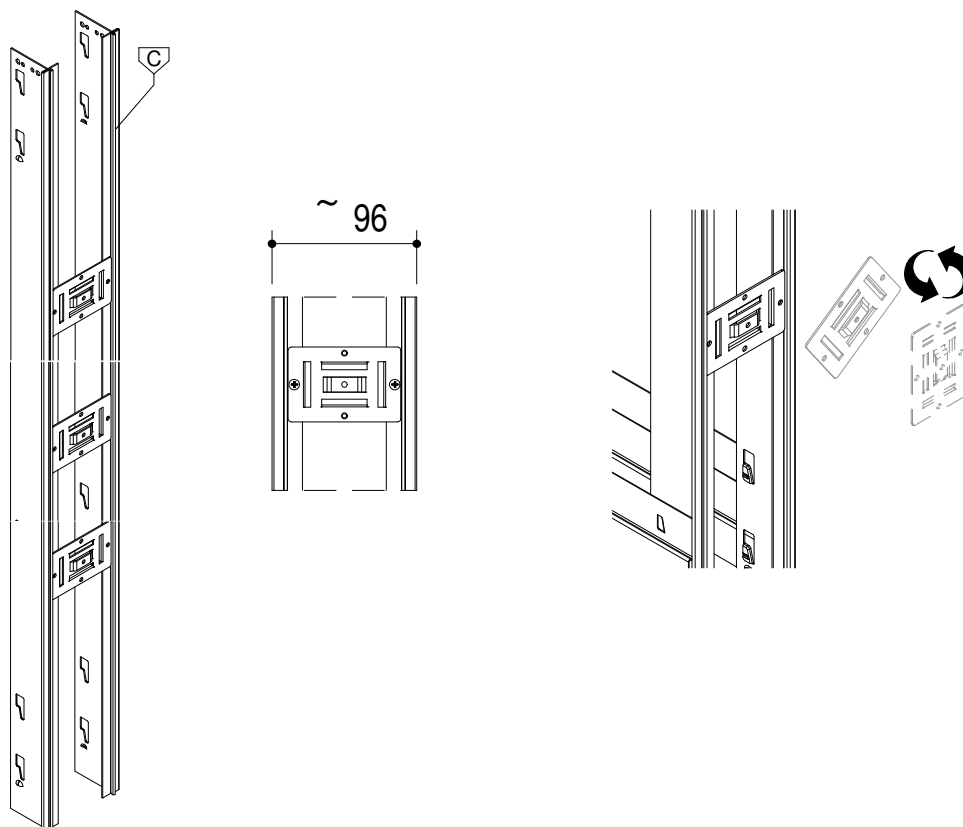
Subject to misprints, errors and technical modifications.  
All dimensions are in mm

# SETUP

## 2.1

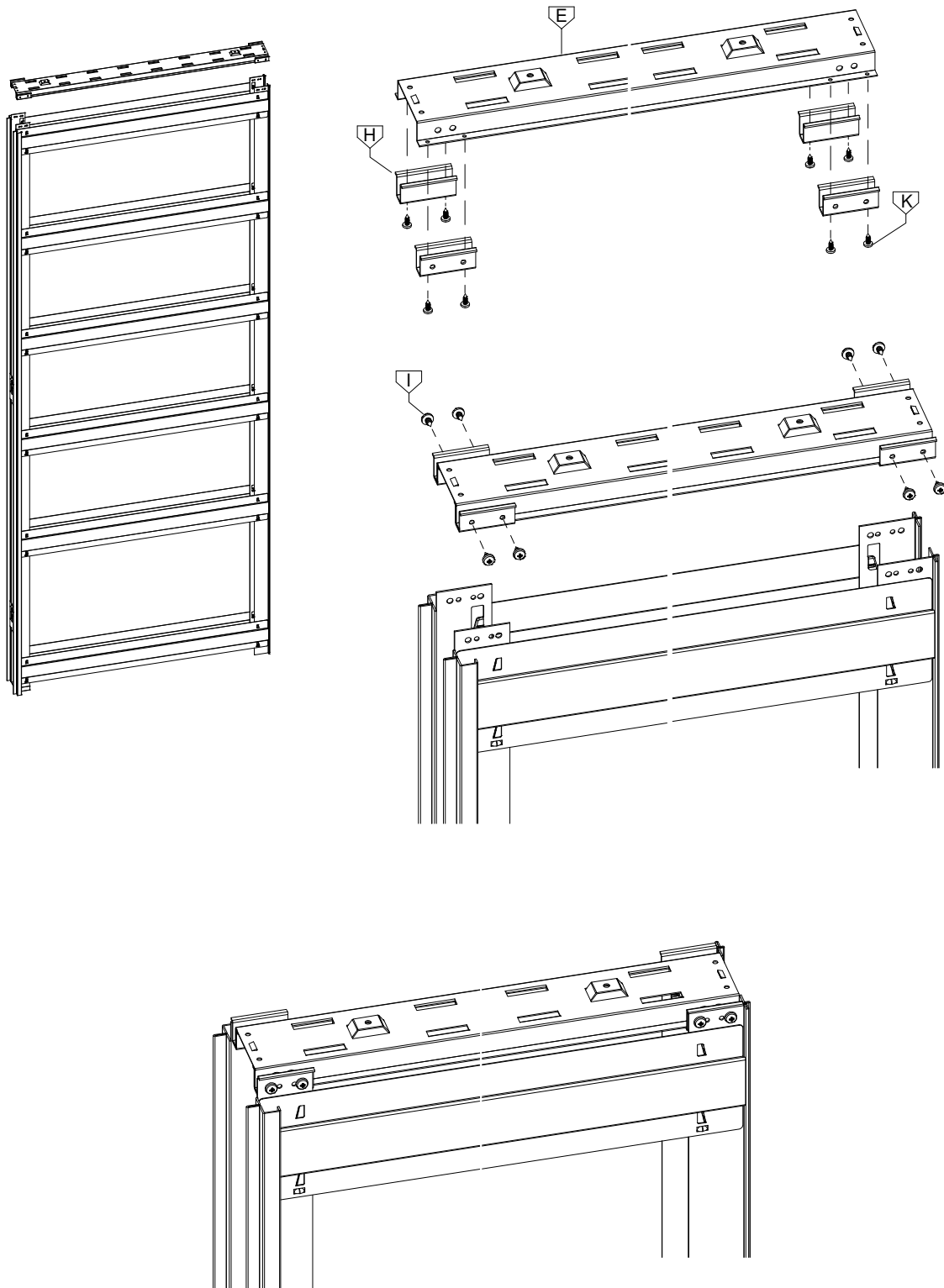


## 2.2



Subject to misprints, errors and technical modifications.  
All dimensions are in mm


2.3

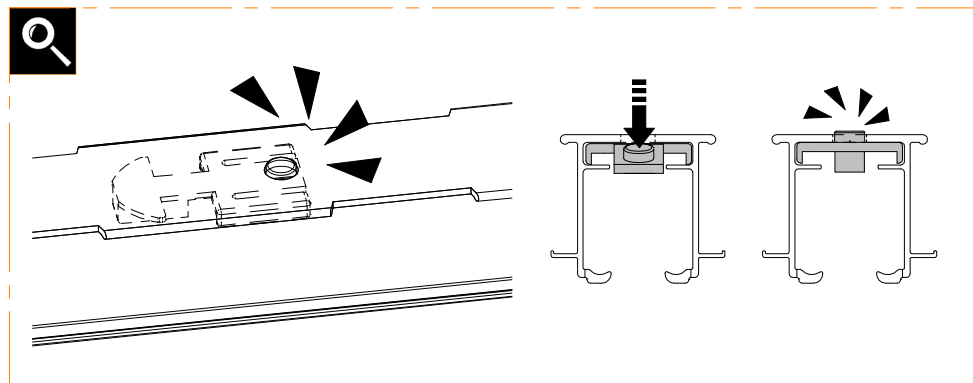
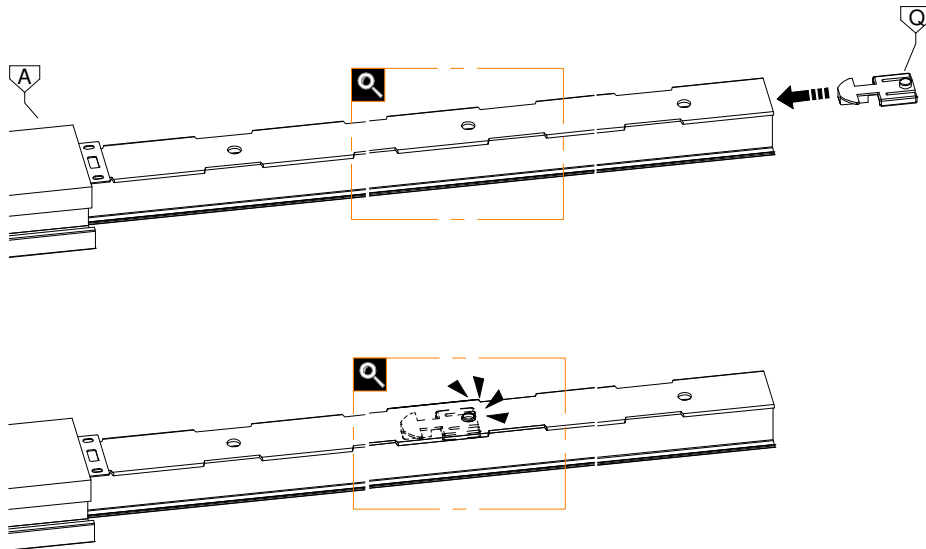


Subject to misprints, errors and technical modifications.  
All dimensions are in mm

# SETUP

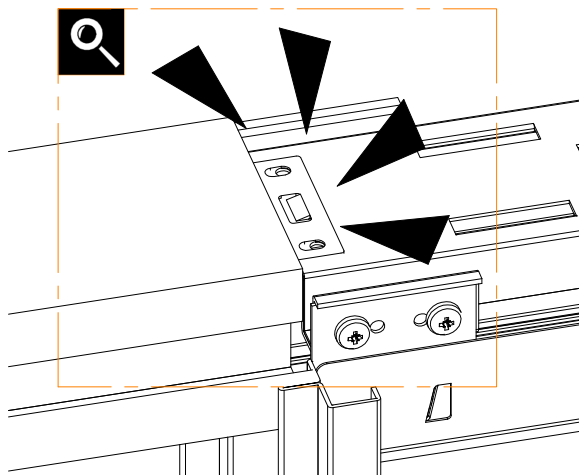
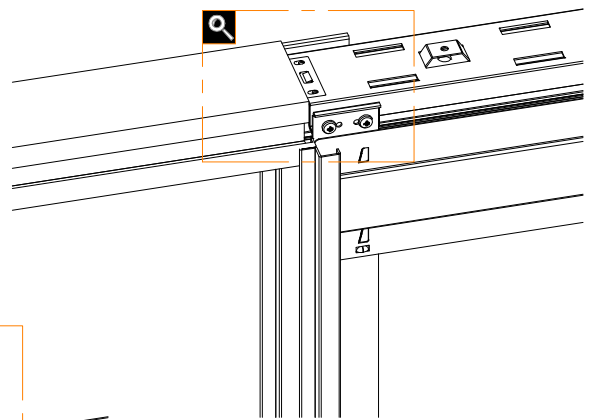
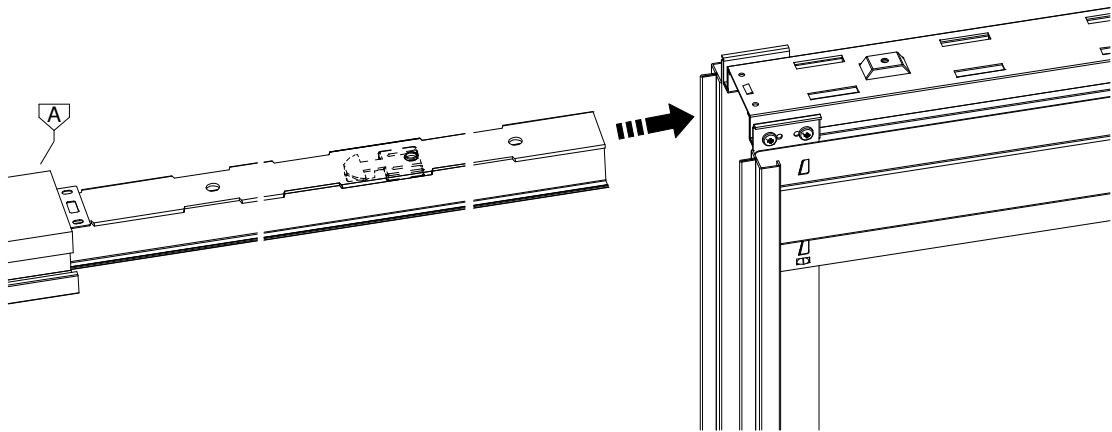
## 2.4

 hole pre-drilled in factory



Subject to misprints, errors and technical modifications.  
All dimensions are in mm

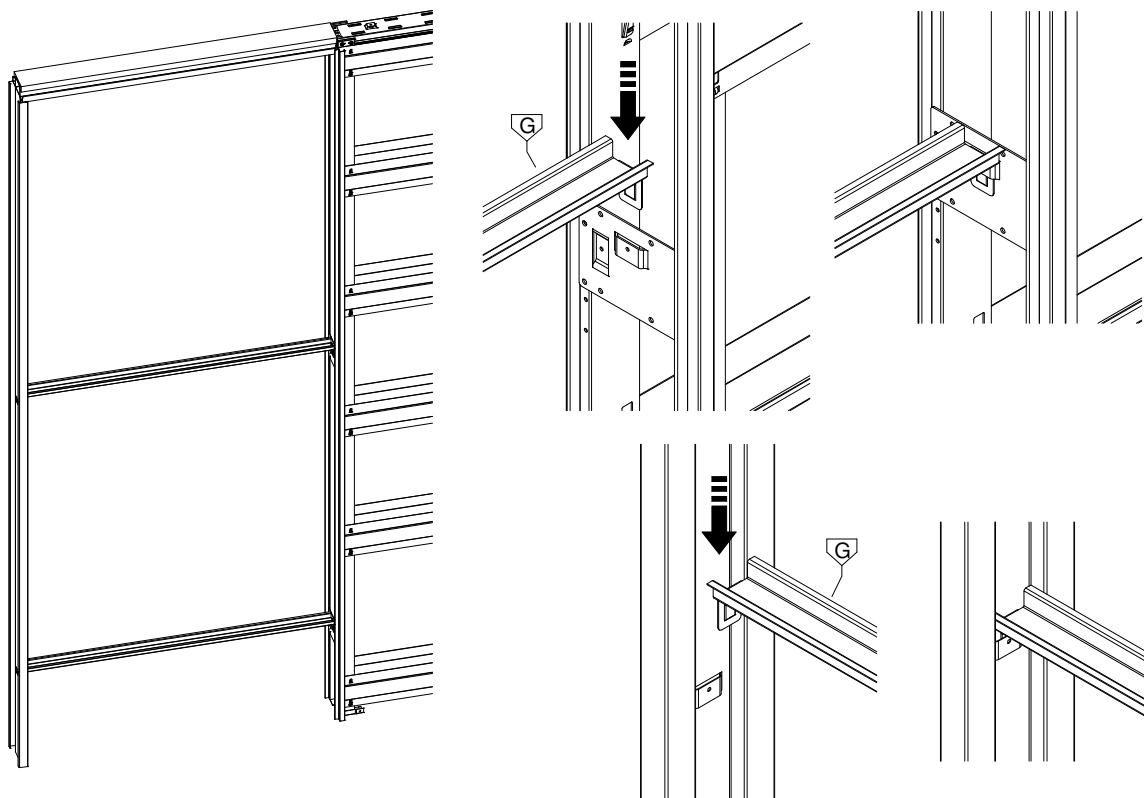
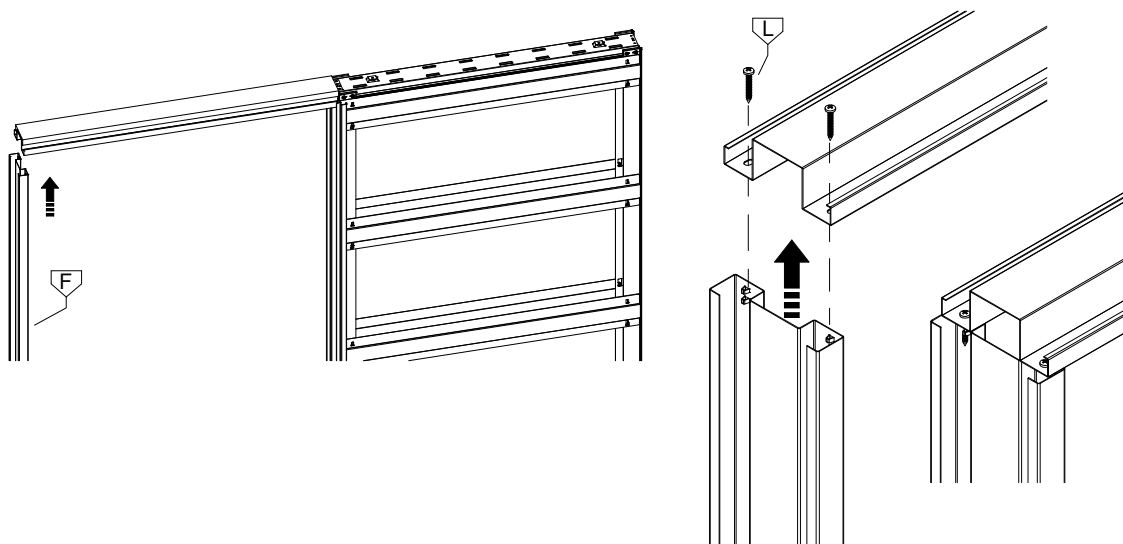
2.5



Subject to misprints, errors and technical modifications.  
All dimensions are in mm

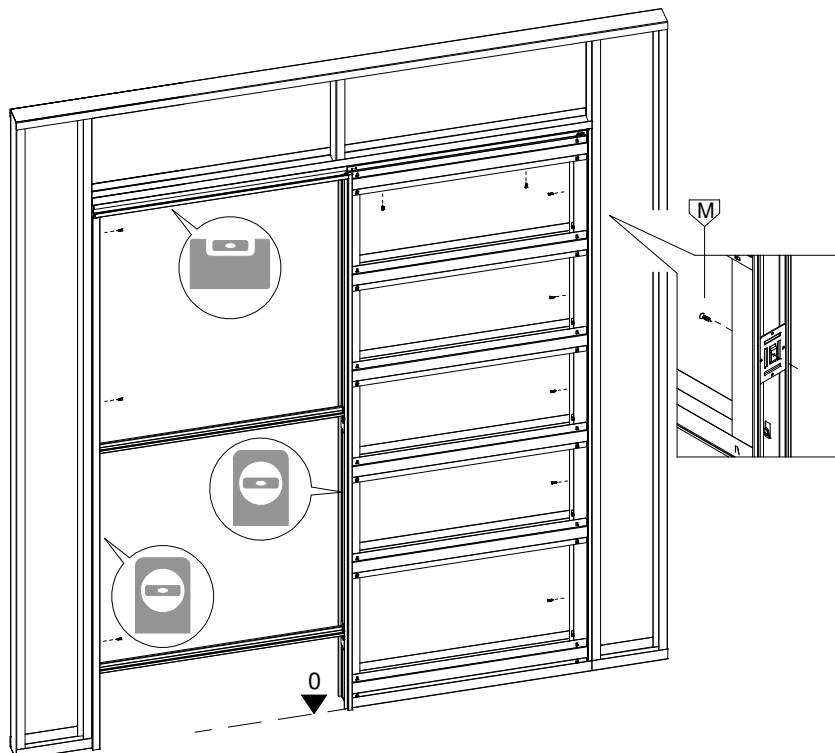
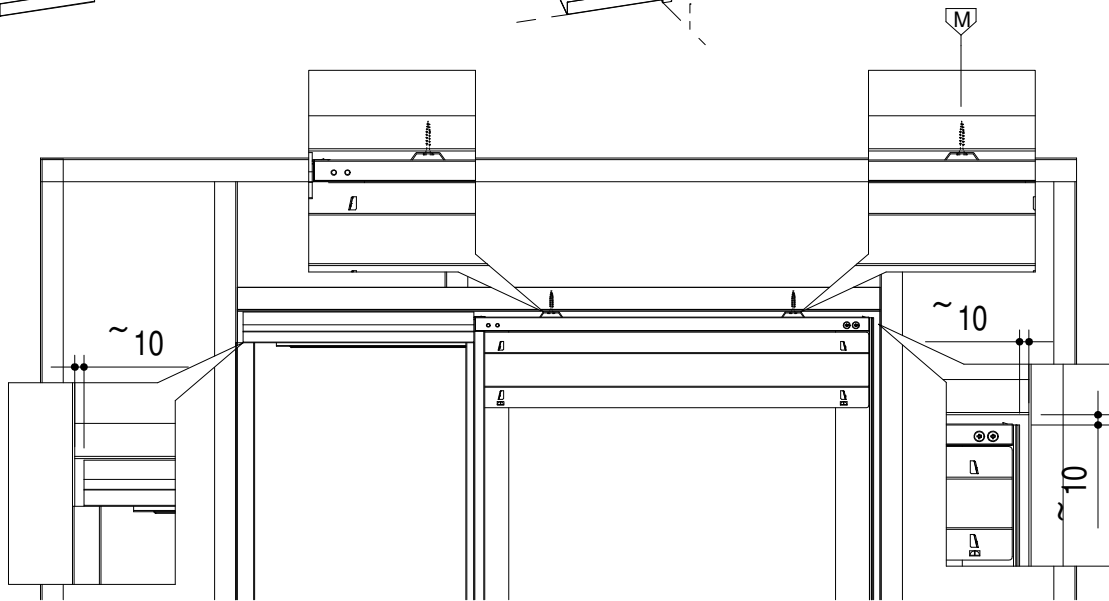
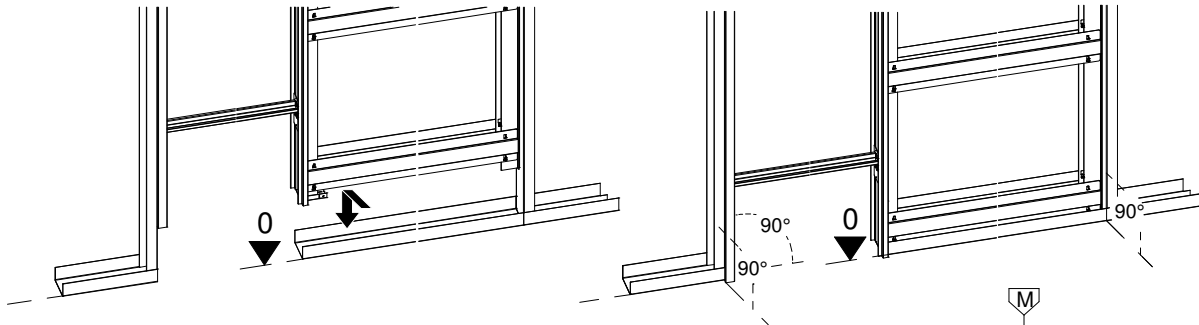
# SETUP

## 2.6



Subject to misprints, errors and technical modifications.  
All dimensions are in mm

3.1

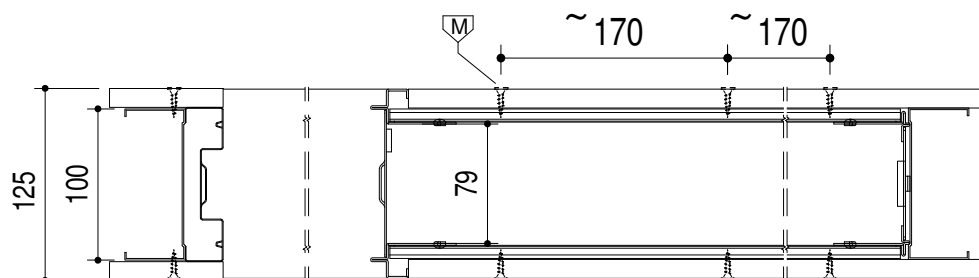
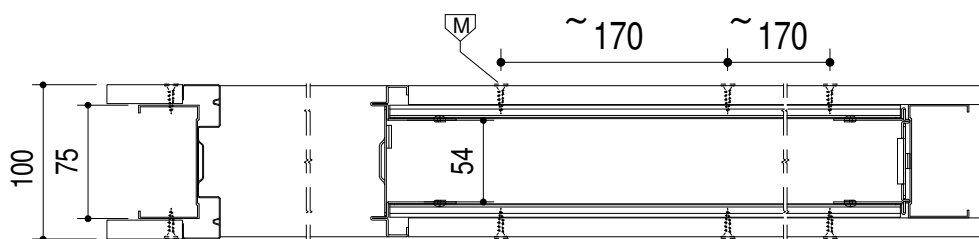
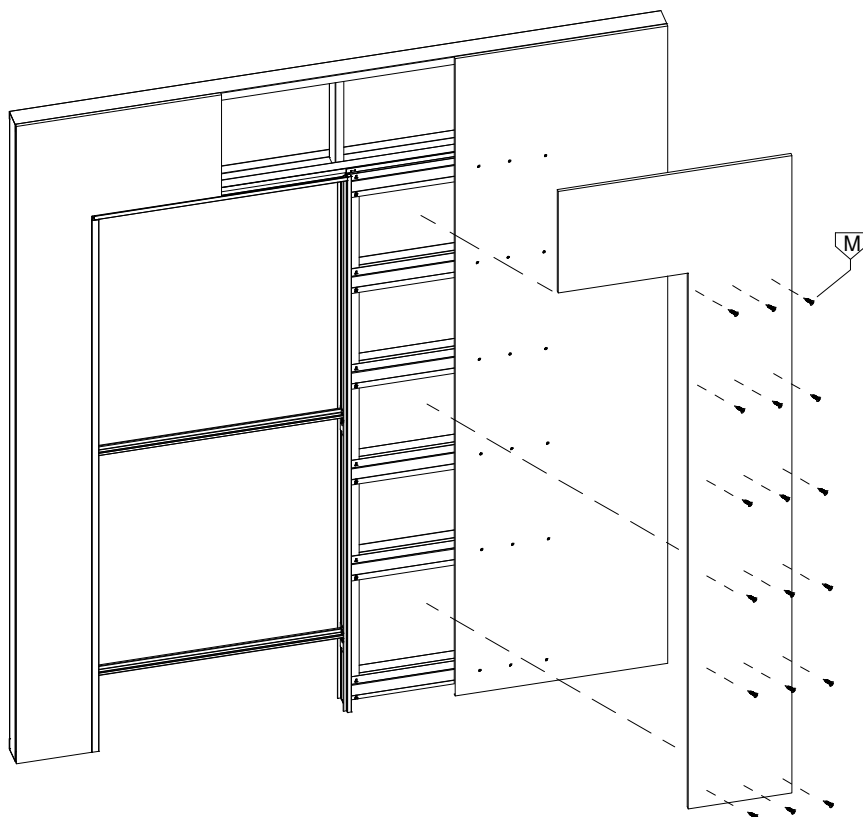


Subject to misprints, errors and technical modifications.  
All dimensions are in mm



# SETUP

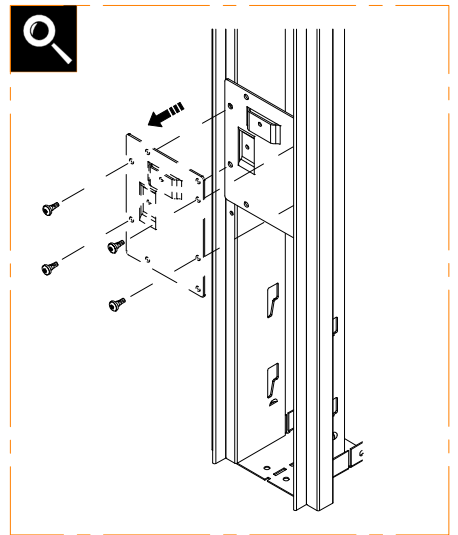
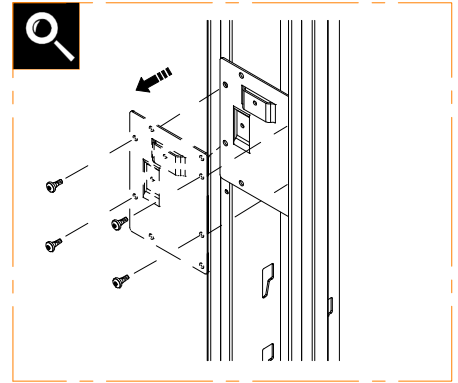
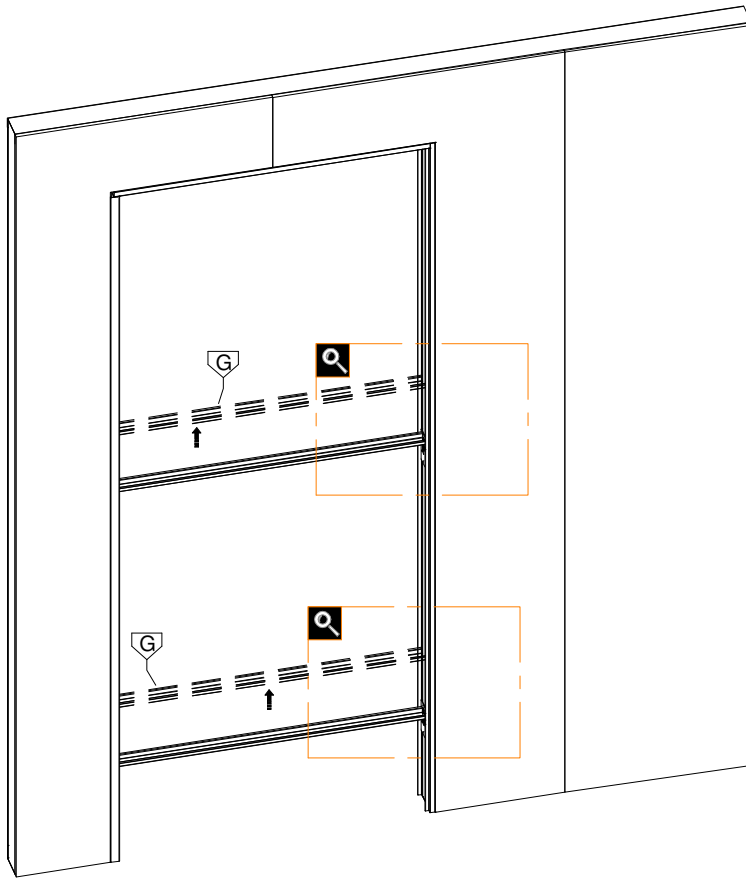
## 3.2



**ATTENTION: USE ONLY SCREWS INCLUDED IN KIT !**

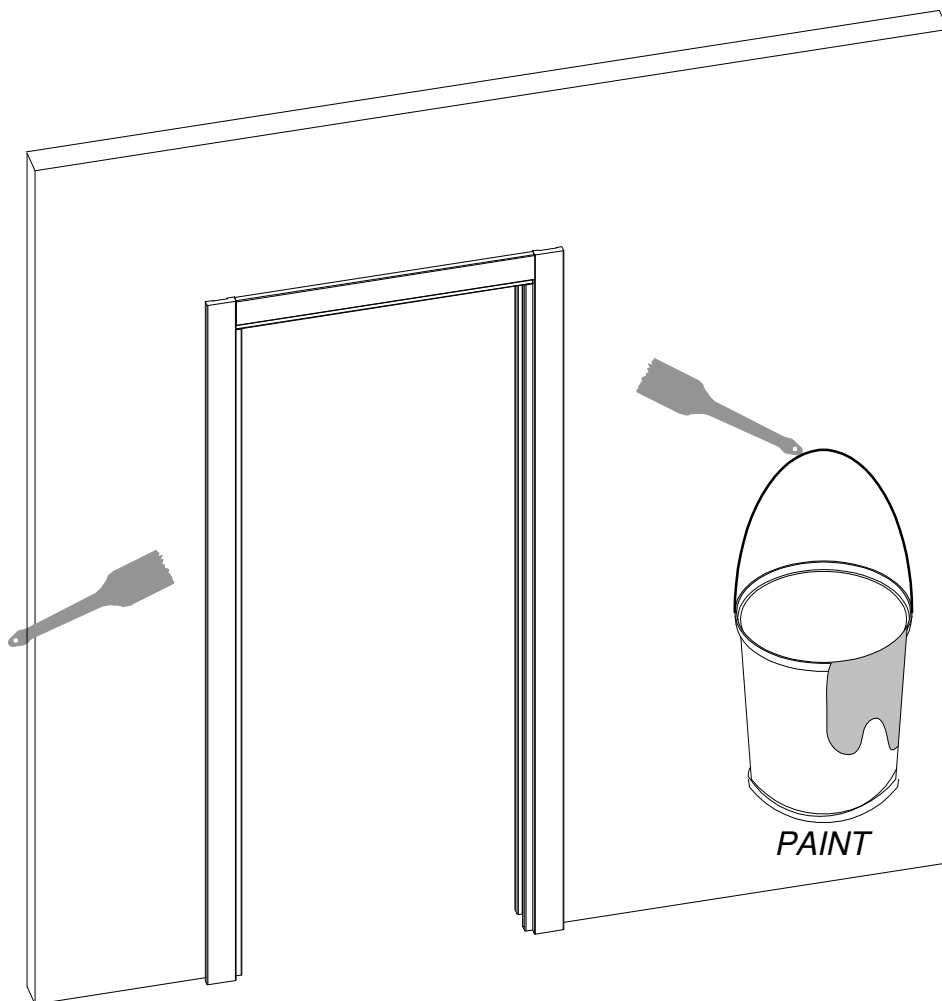
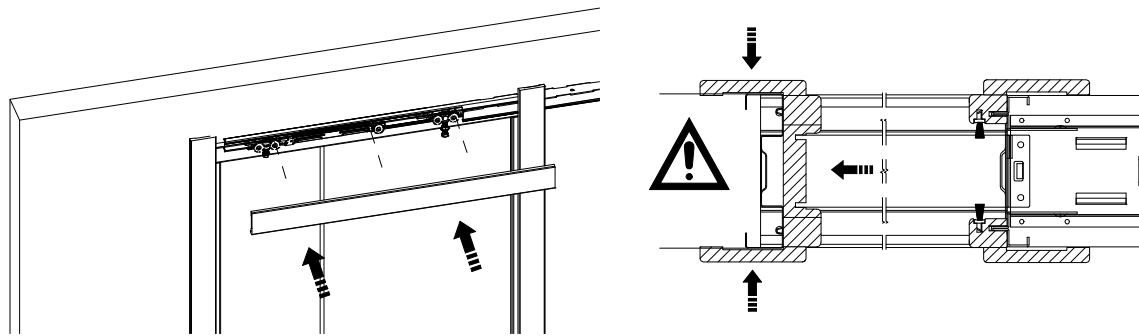
Subject to misprints, errors and technical modifications.  
All dimensions are in mm

3.3



Subject to misprints, errors and technical modifications.  
All dimensions are in mm

4.9



Subject to misprints, errors and technical modifications.  
All dimensions are in mm