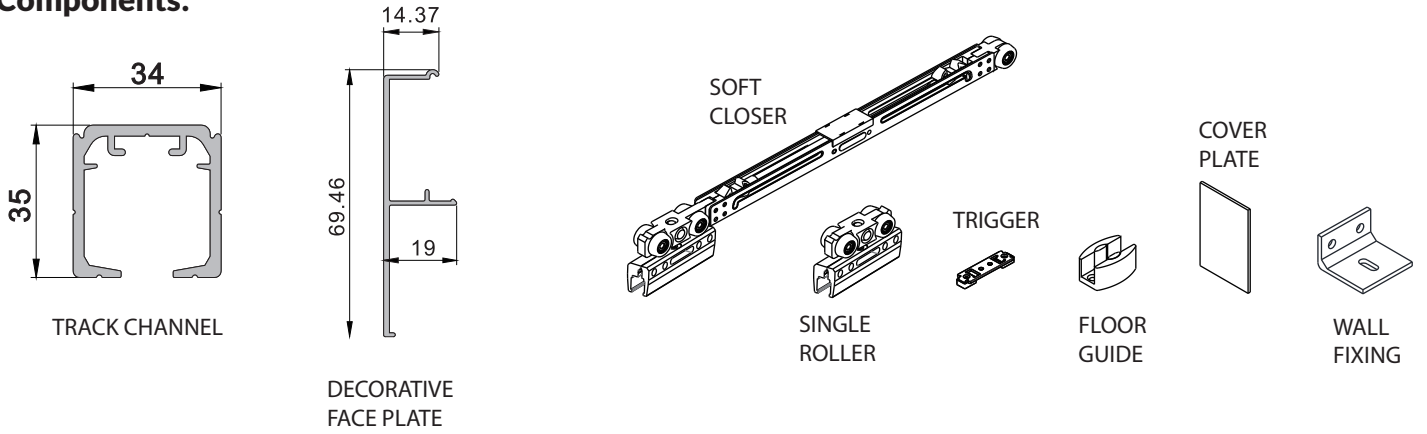


Elegant Sliding Door Track Installation - Glass Doors



Components:

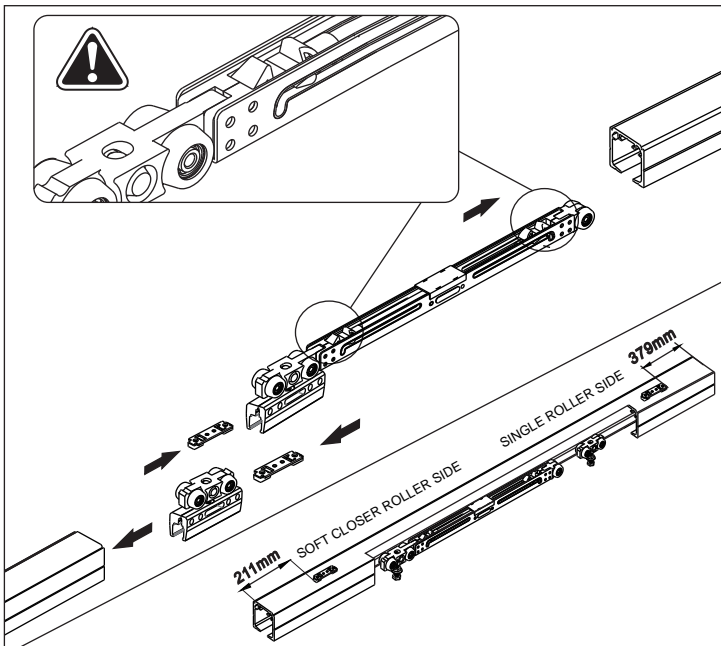


Installation:

1 Install the soft closers and triggers

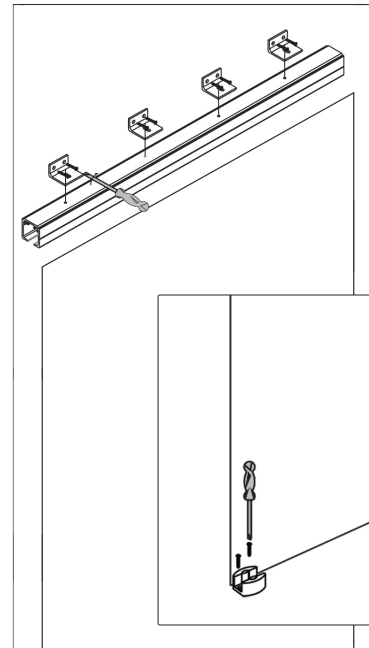


Before the soft closer is installed into the track, ensure that the soft closer slide buckle is in the open position on both ends (as shown on the picture).

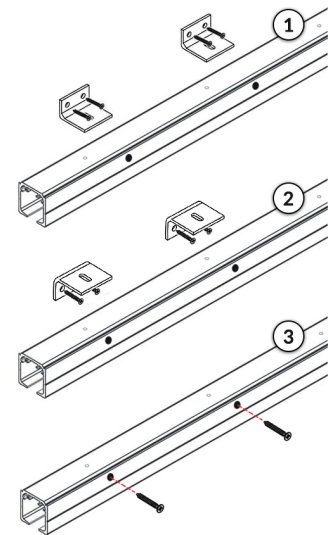


2 Install the sliding track and bottom guide

See wall fixing methods before fitting.



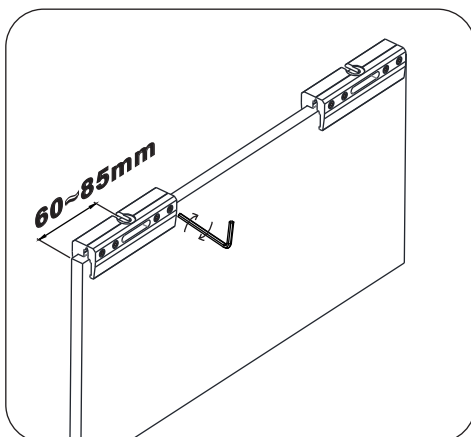
Wall fixing methods:



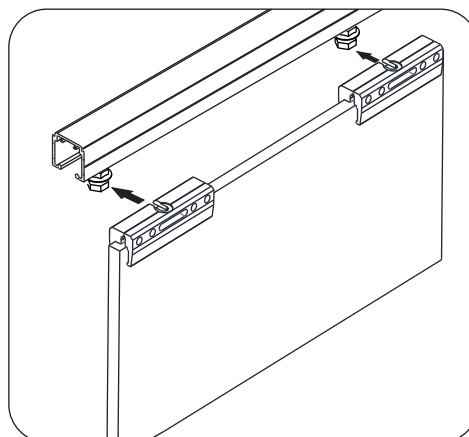
1. Not concealed
2. Partially concealed
3. Fully concealed*

*No.8 screws are required for the fully concealed option.

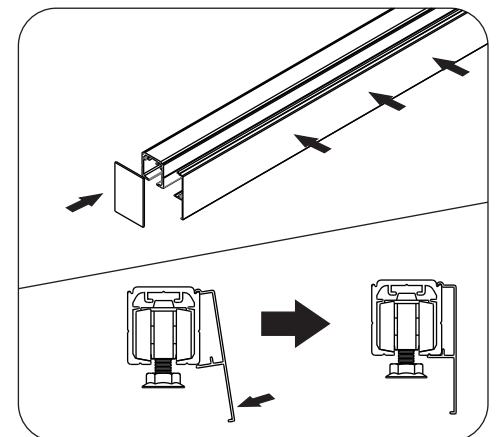
3 Install glass clamp



4 Hang the glass and tighten the screw



5 Place the cover and end cap



Installation parameter

The overall height required for door and track is the door height plus track requirements of 75mm.

