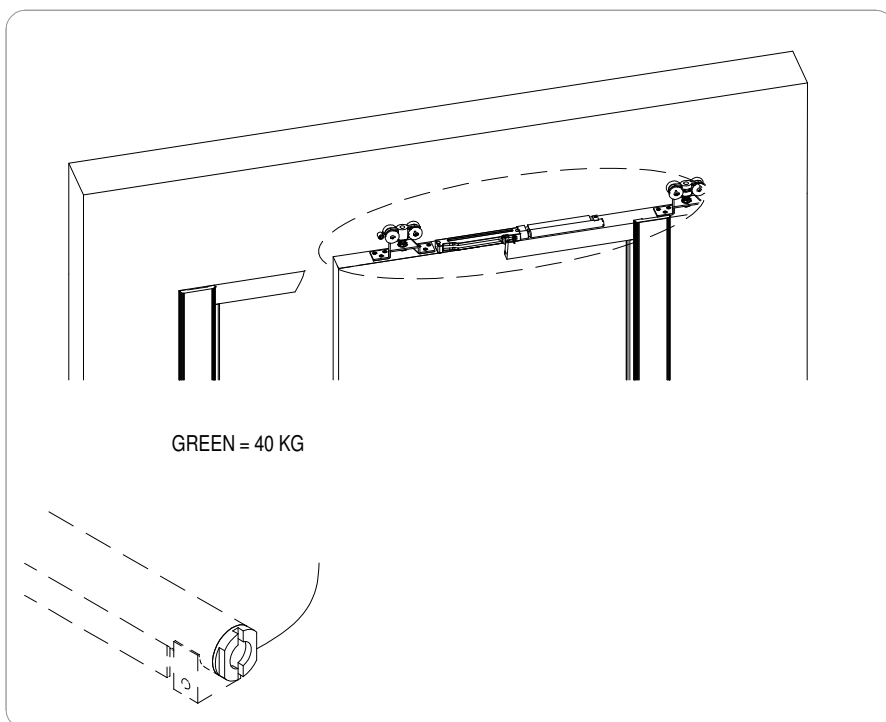
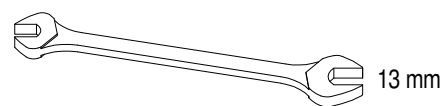
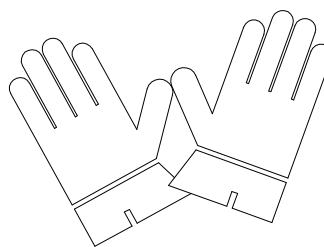
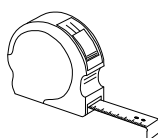
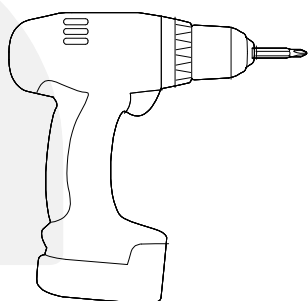


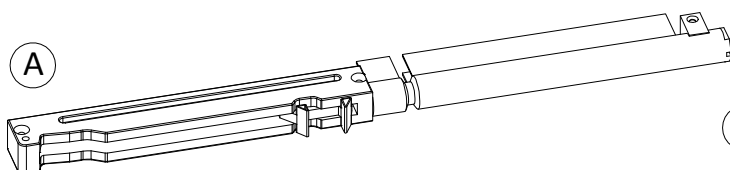
## EN - SET UP INSTRUCTIONS EASYSTOP 40 KG



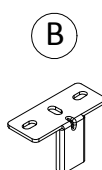
### Tools



### Standard equipment



x 1



x 1

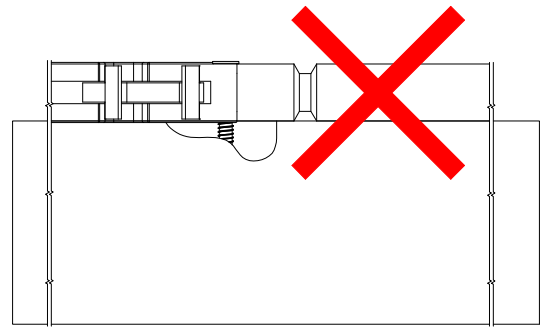
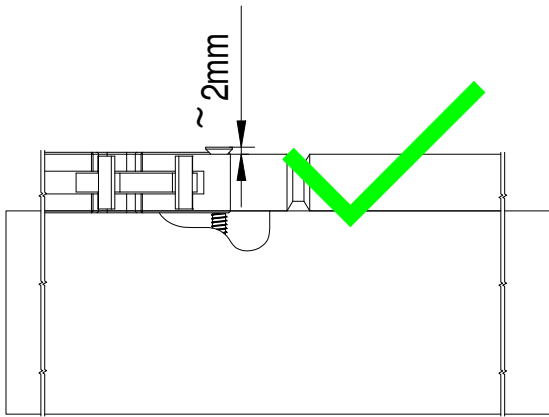
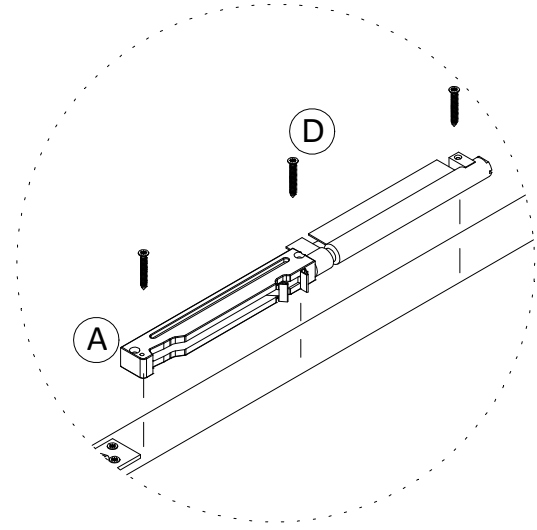
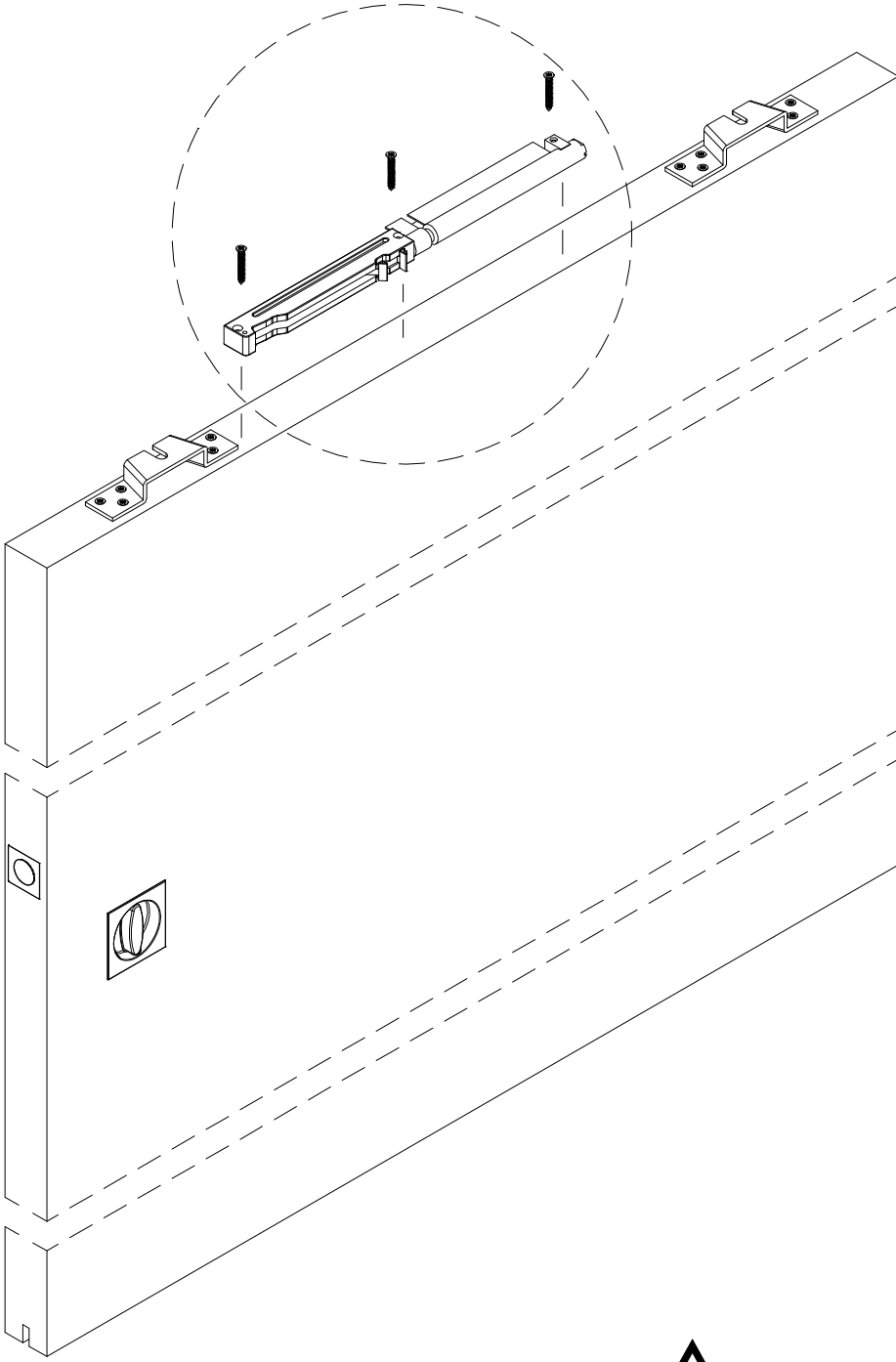


x 2

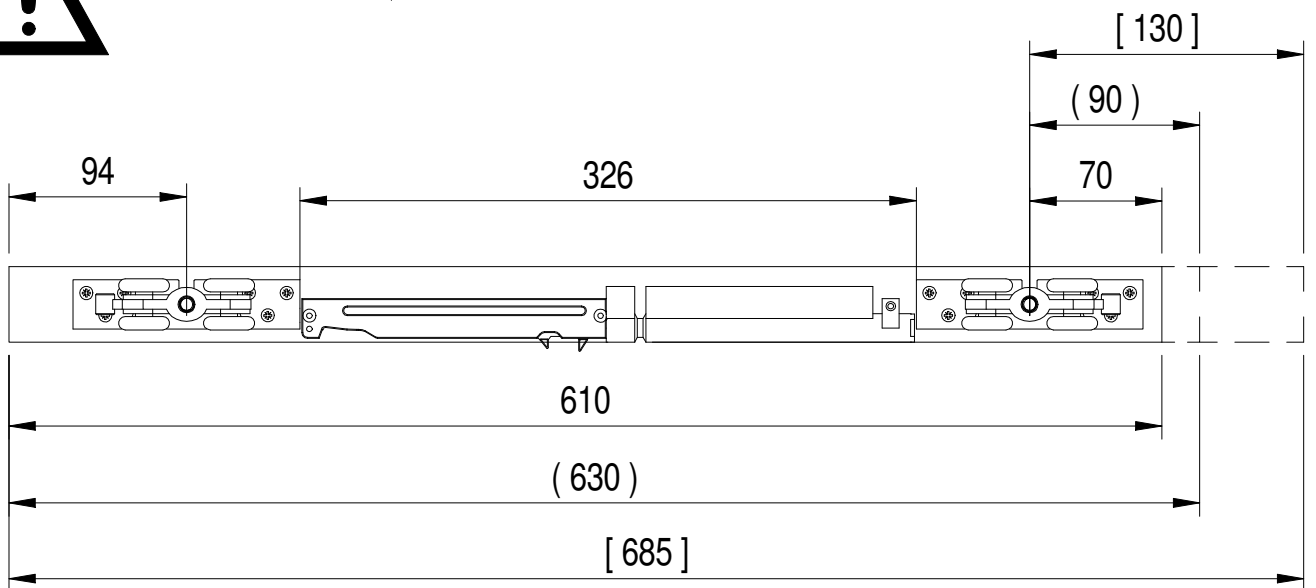
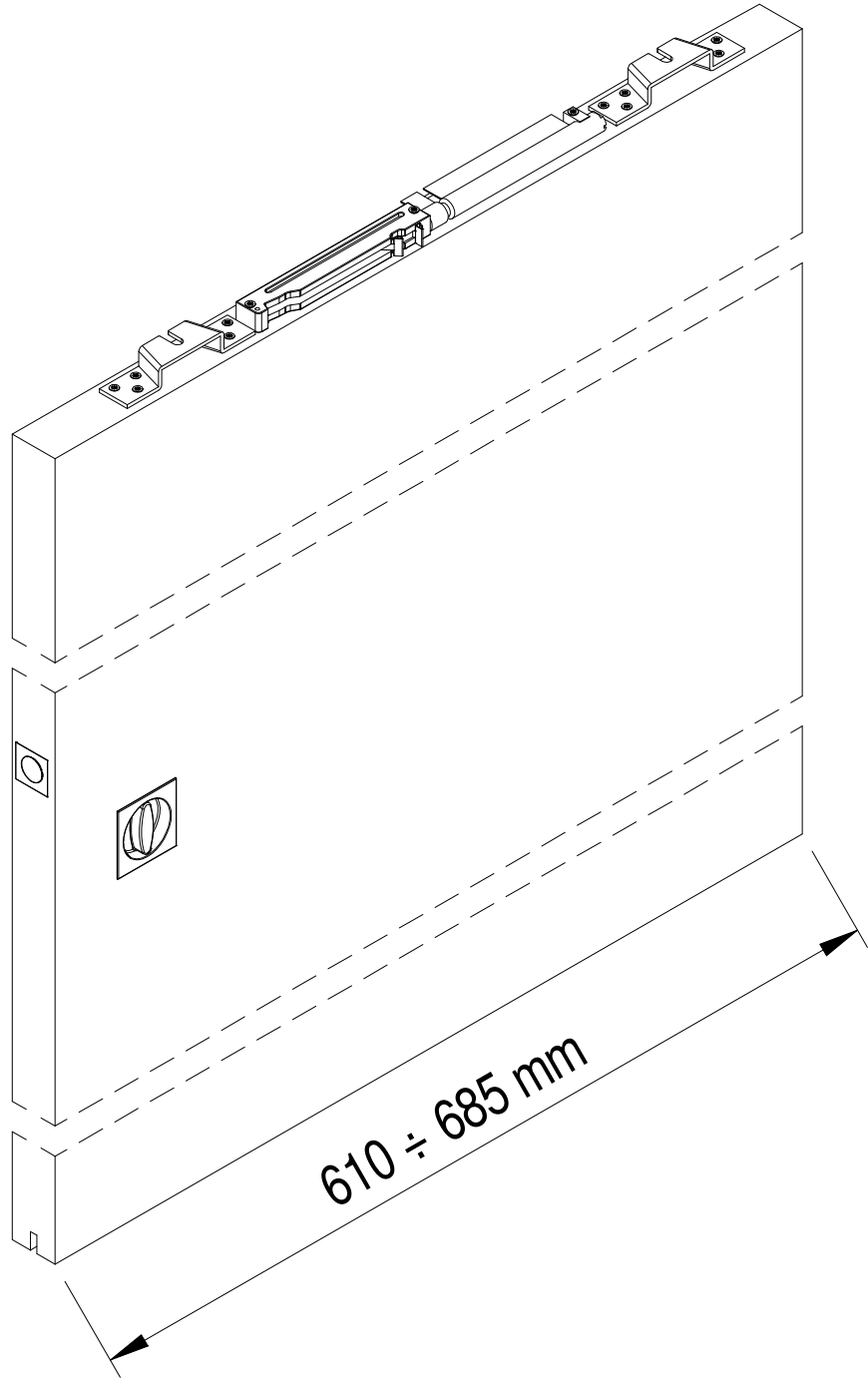


x 3

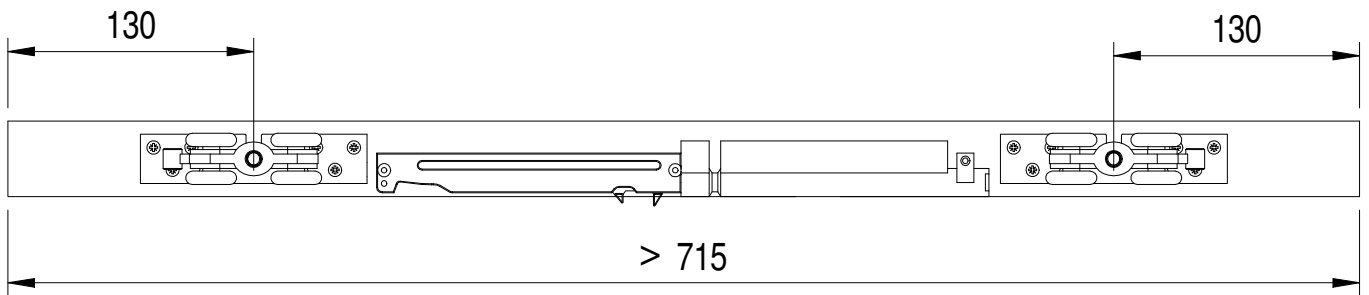
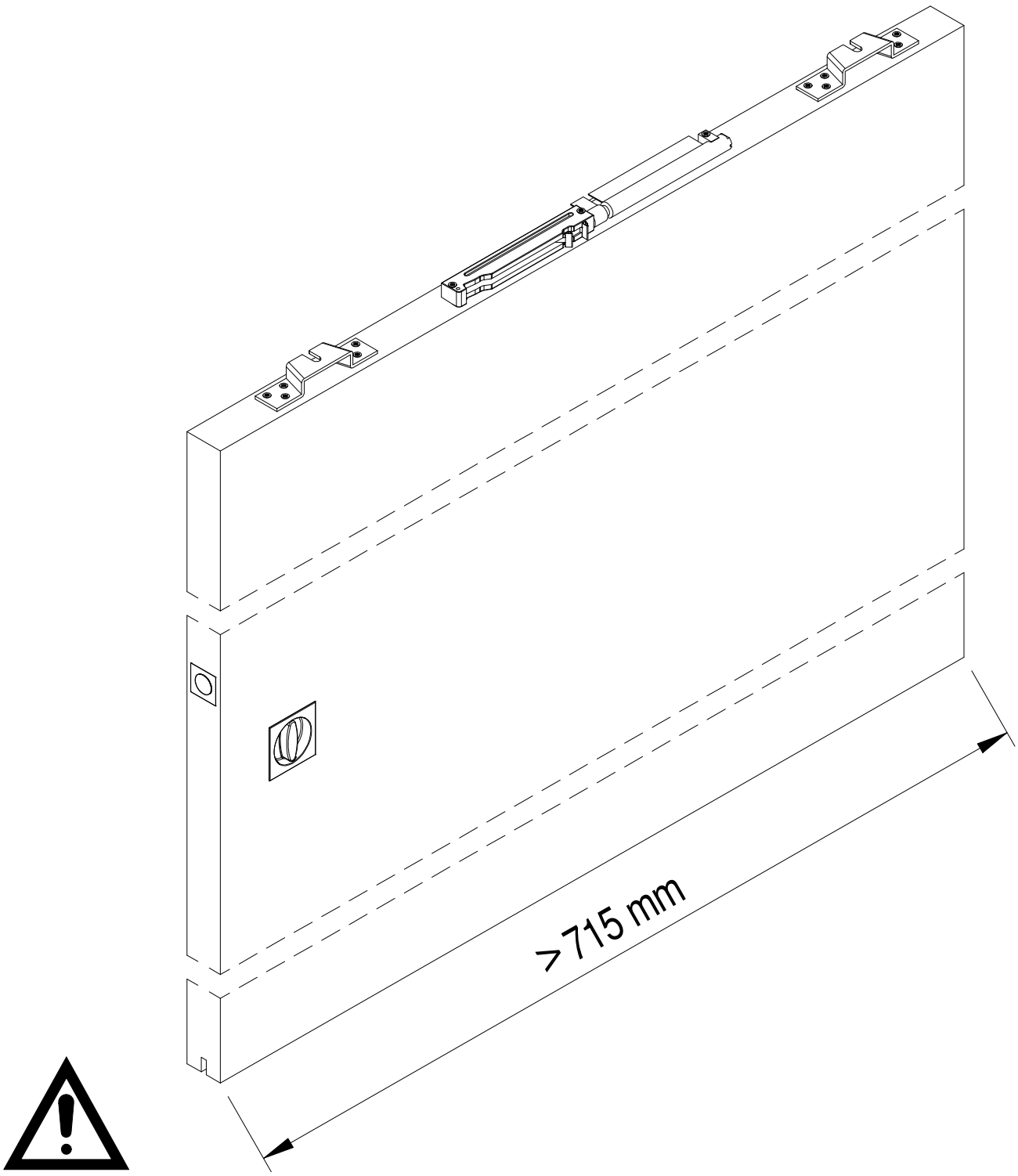
1



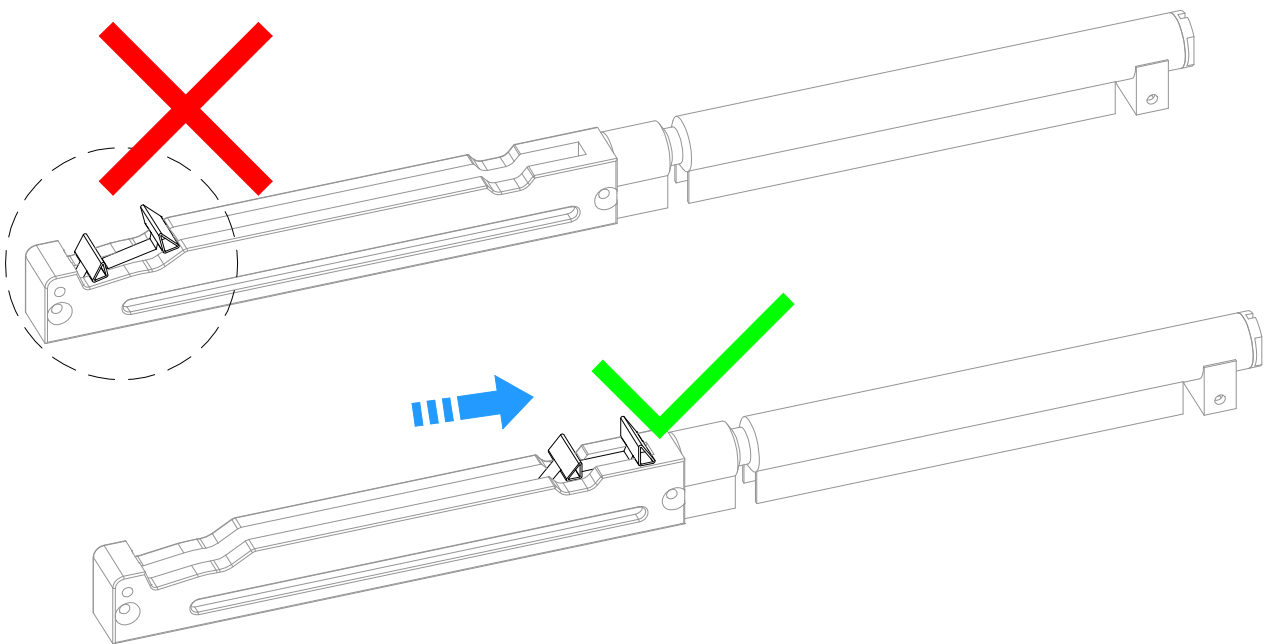
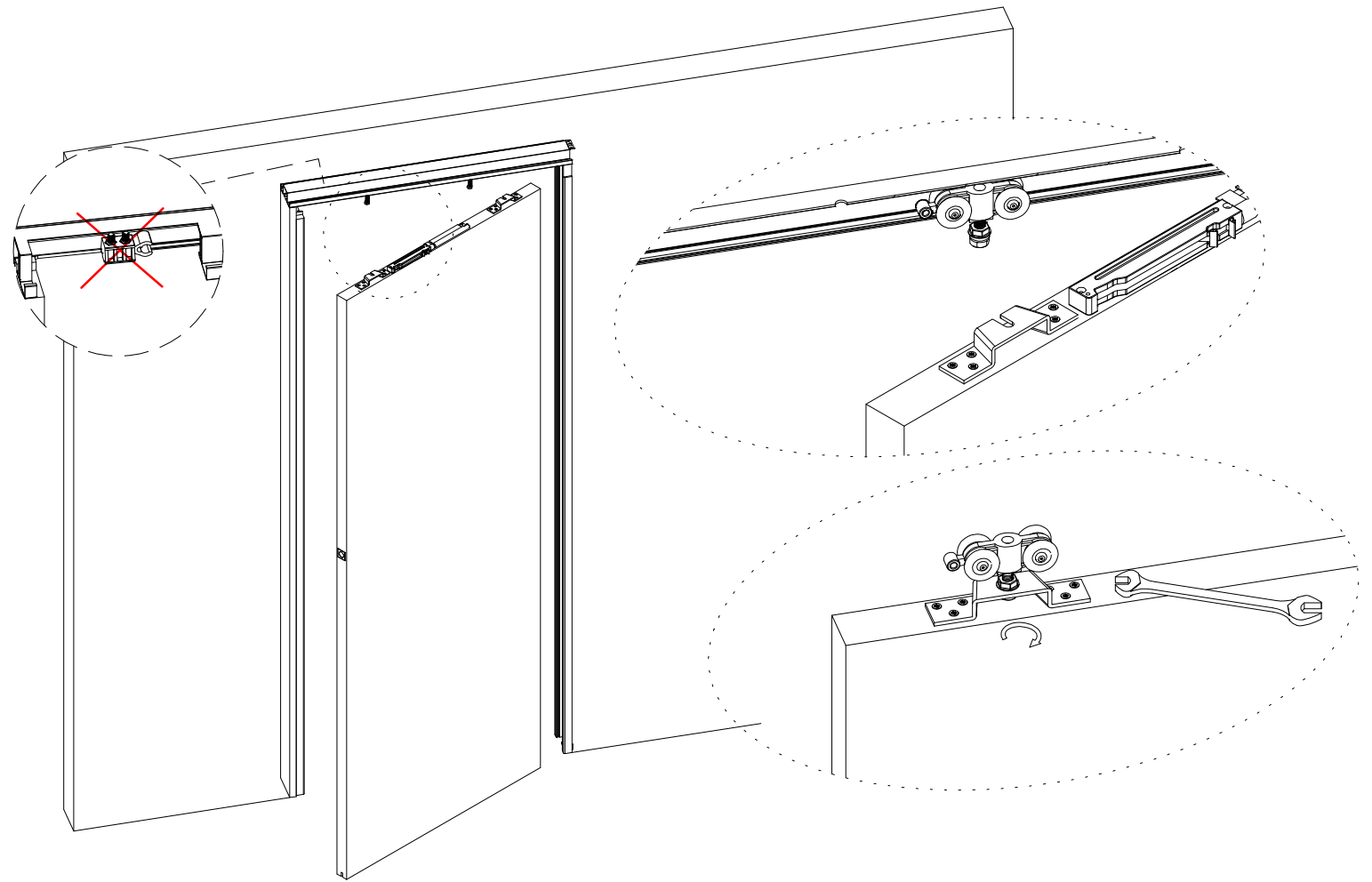
2



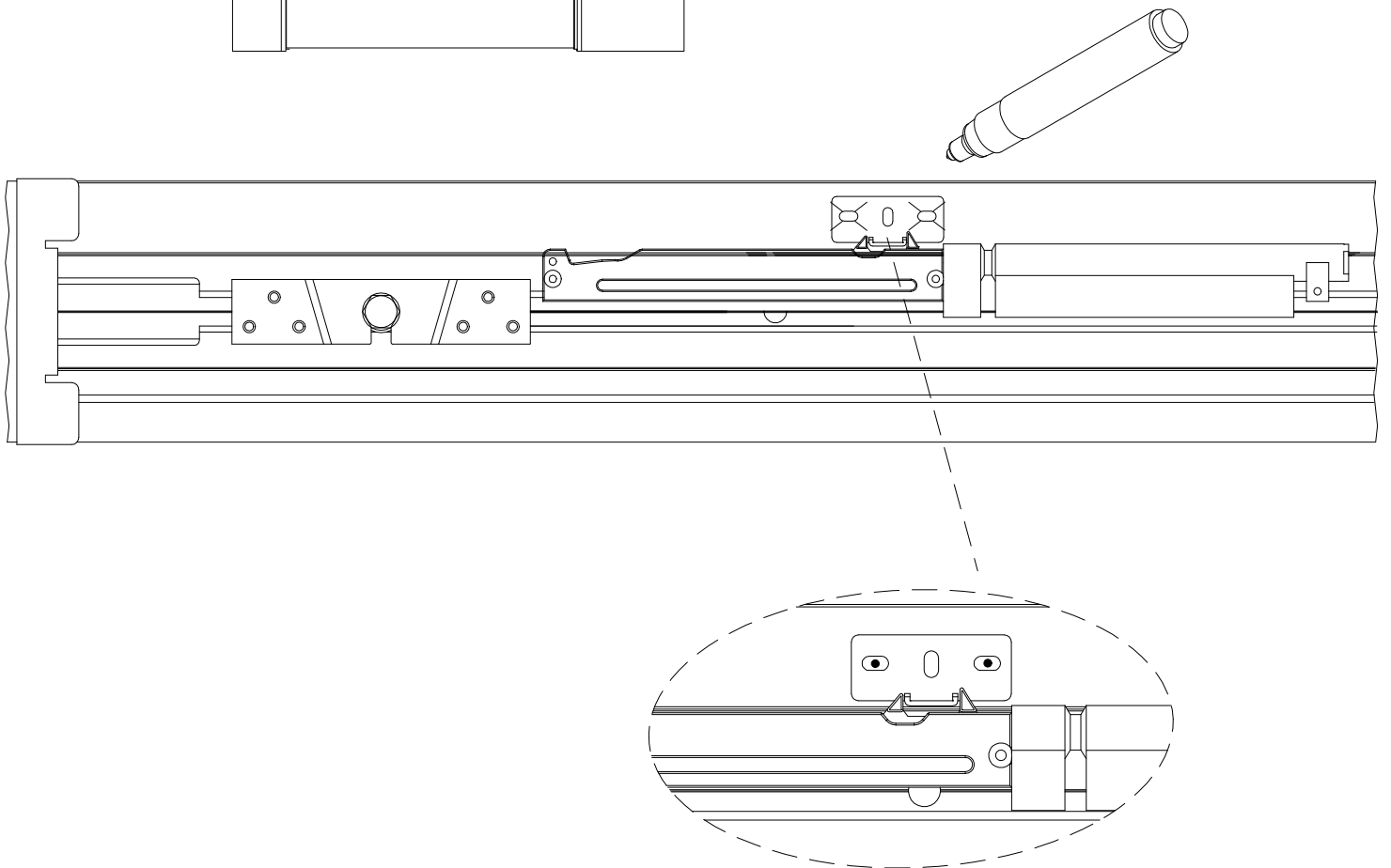
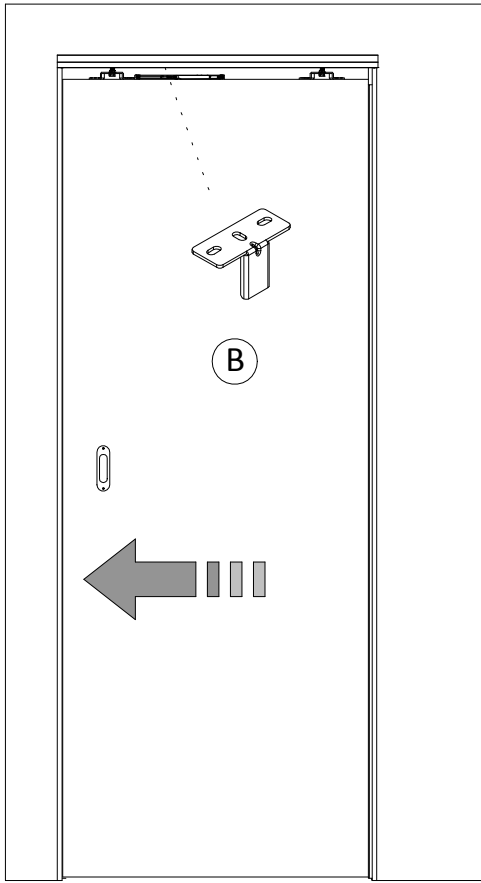
3



4



5



6

