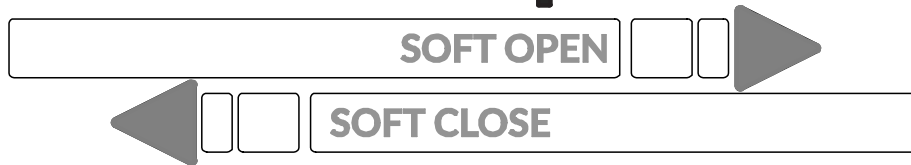


# EASYstop<sup>AB</sup> twin

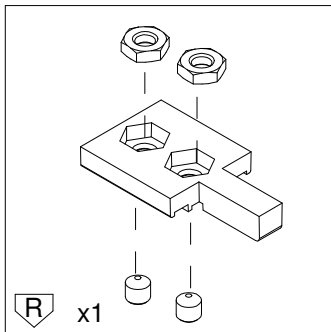
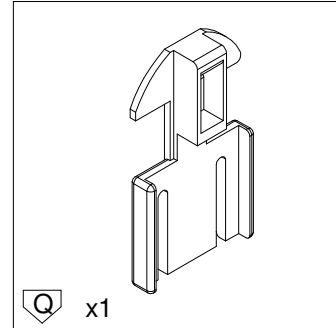
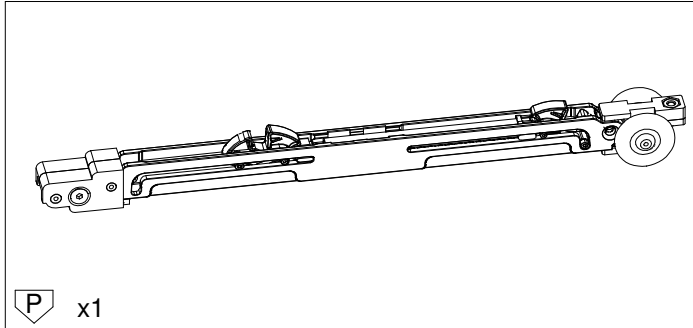


**SETUP INSTRUCTION**

# KIT CONTENTS

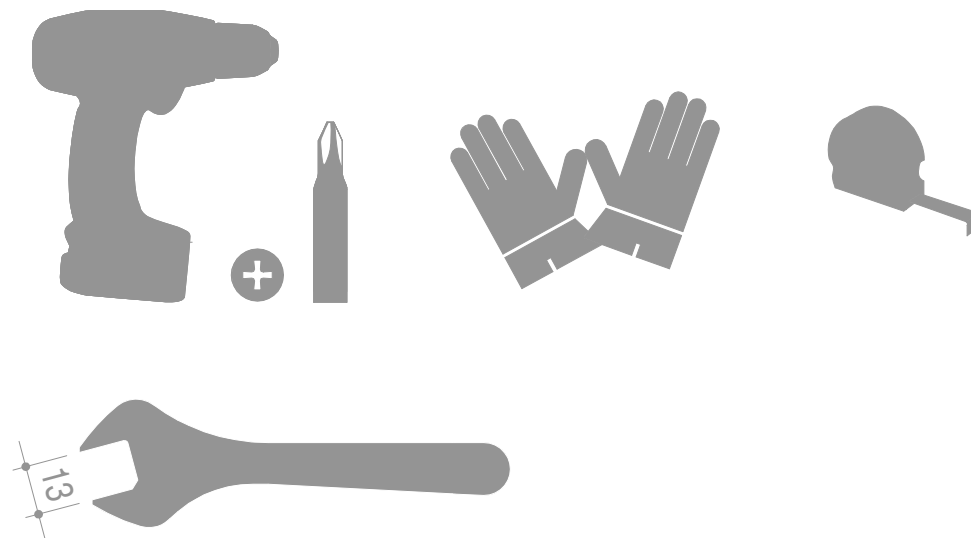
## Easystop Ab Twin - equipment

---



## Tools

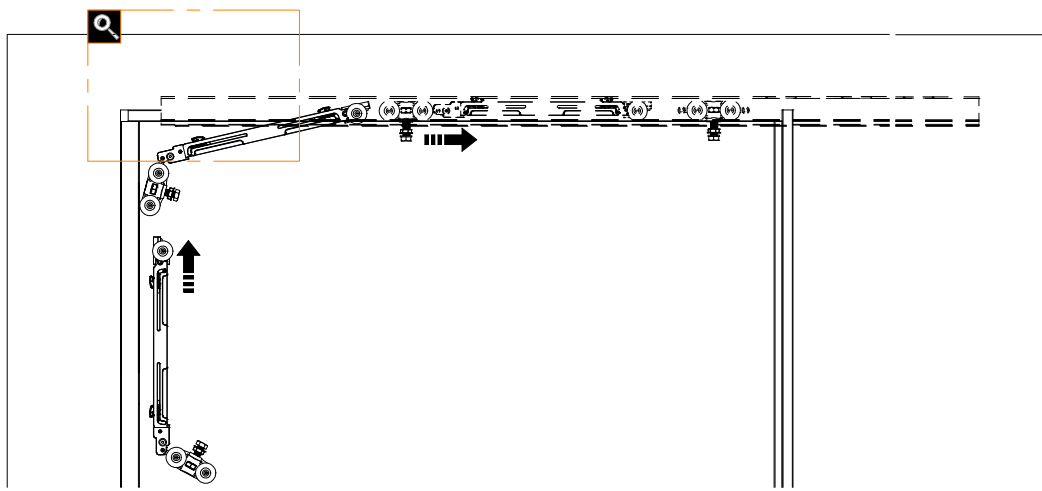
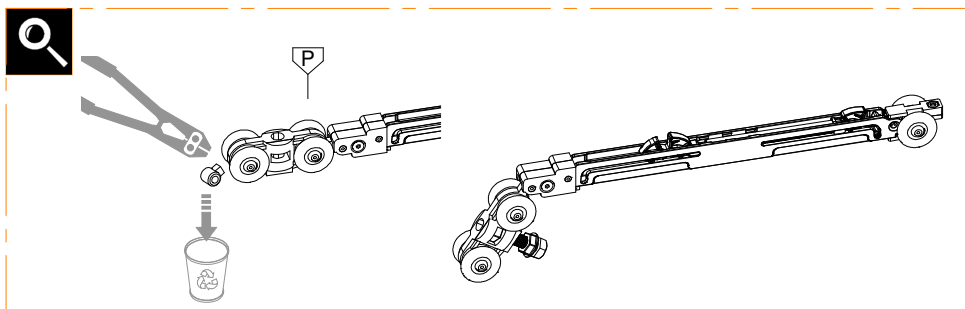
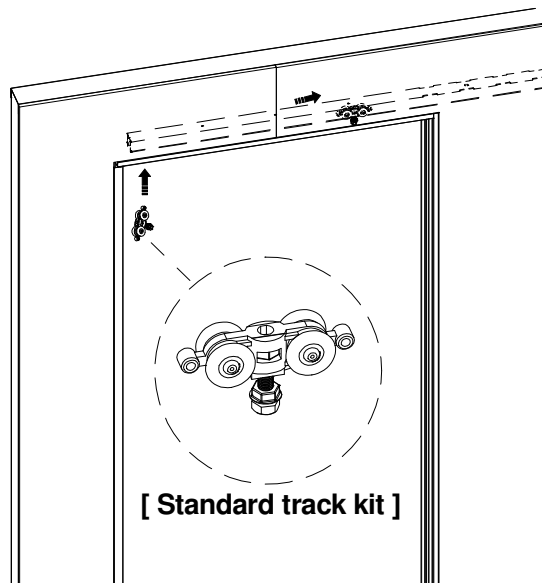
---



Subject to misprints, errors and technical modifications.  
All dimensions are in mm



4.3

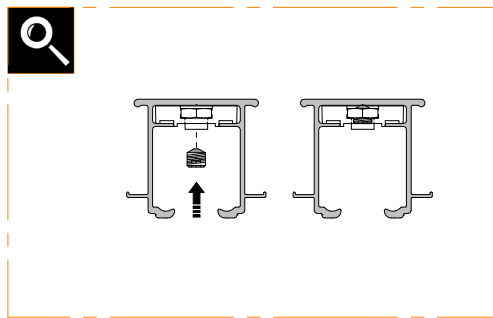
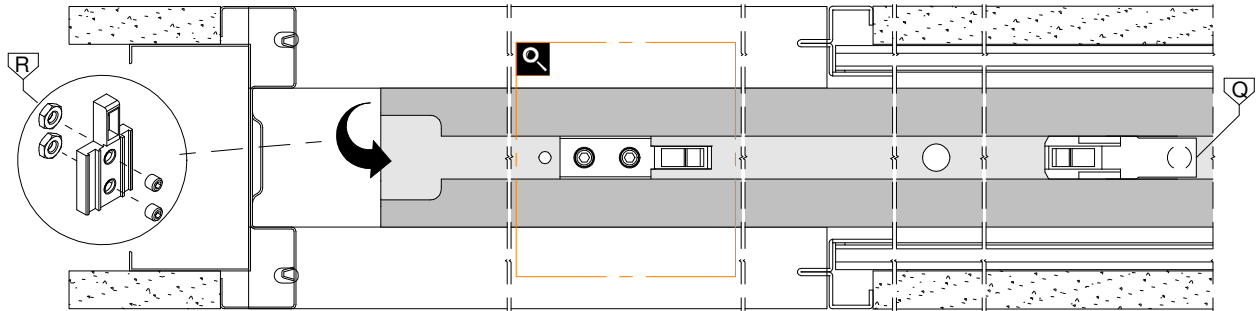


Subject to misprints, errors and technical modifications.  
All dimensions are in mm



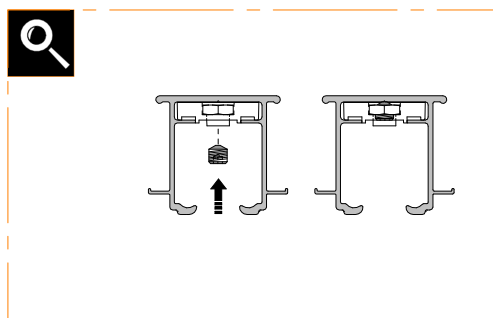
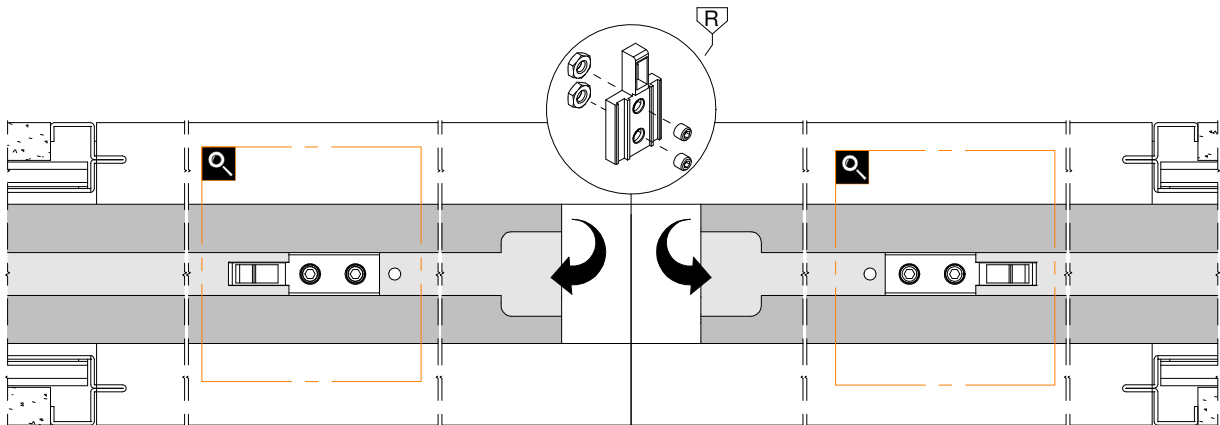
### 4.6

#### ACTIVATOR POSITION FOR WOOD / GLASS SINGLE DOOR



### 4.7

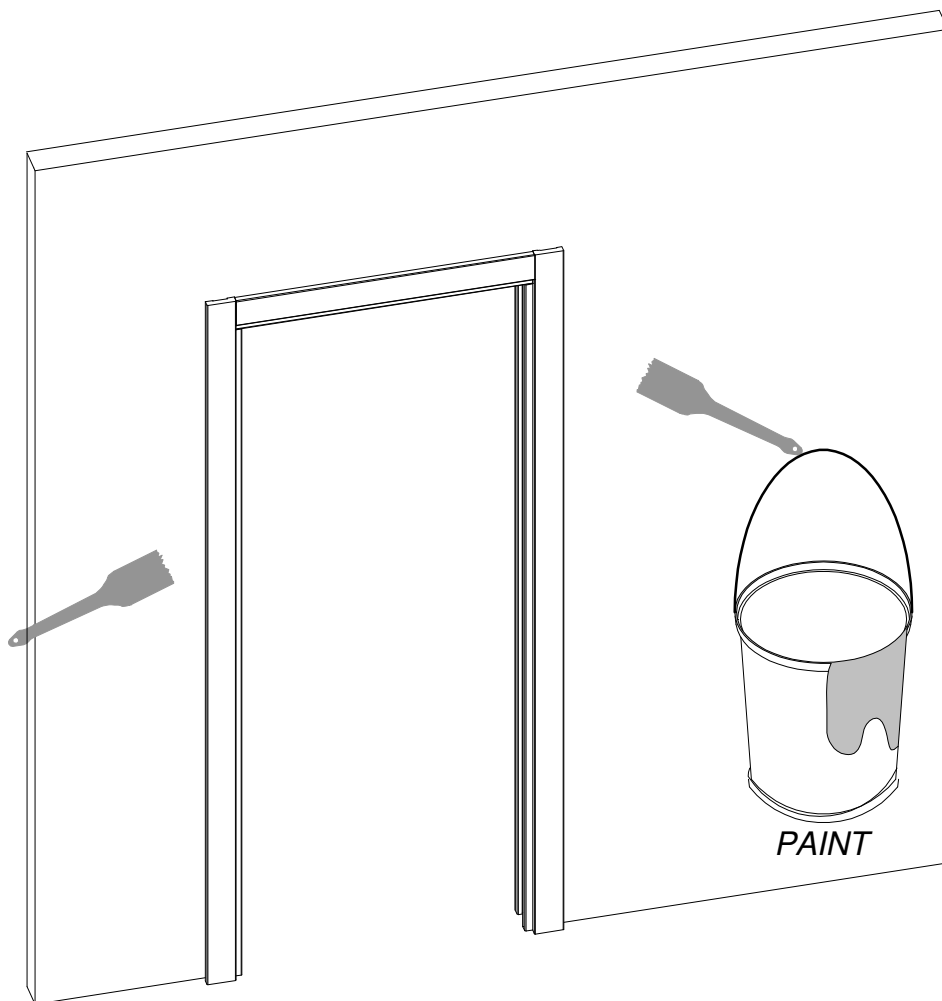
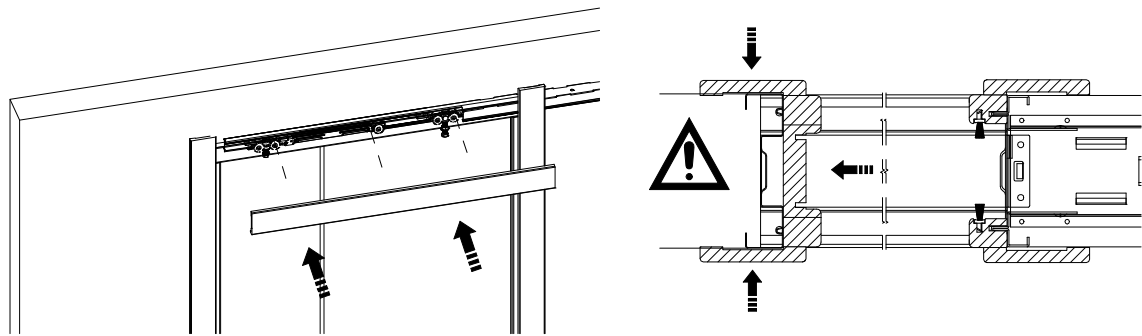
#### ACTIVATOR POSITION FOR WOOD / GLASS DOUBLE DOOR



Subject to misprints, errors and technical modifications.  
All dimensions are in mm



4.9



Subject to misprints, errors and technical modifications.  
All dimensions are in mm