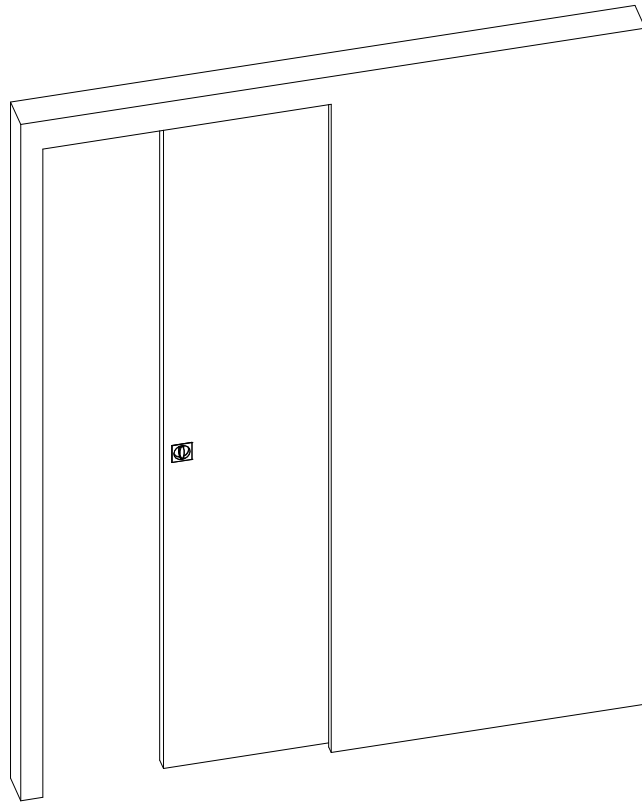


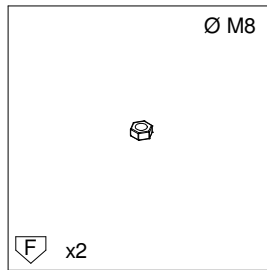
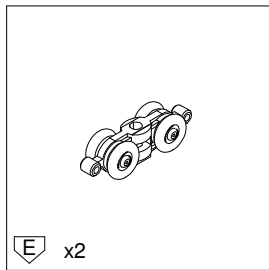
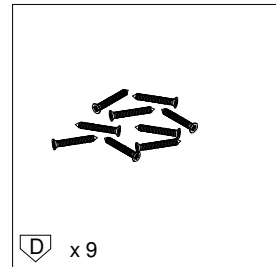
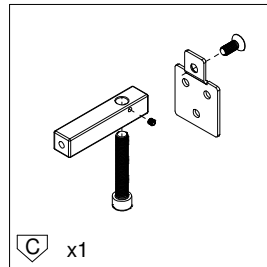
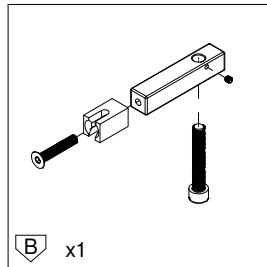
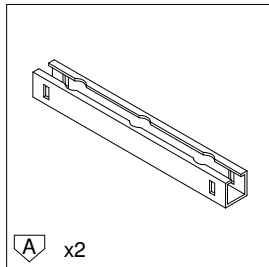
**Ermetika**<sup>®</sup>  
INSIDE WALLS



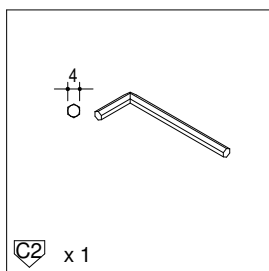
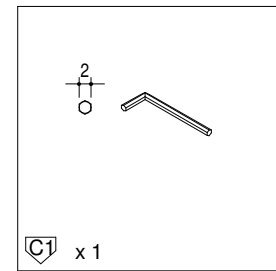
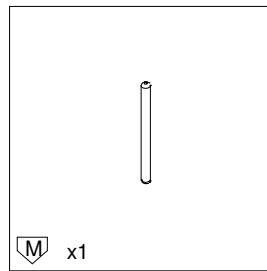
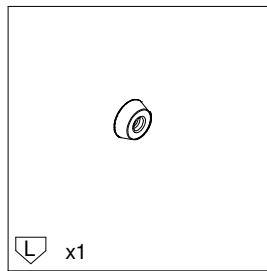
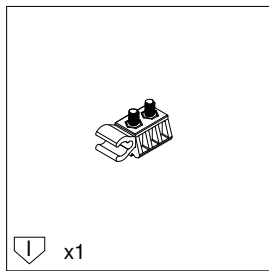
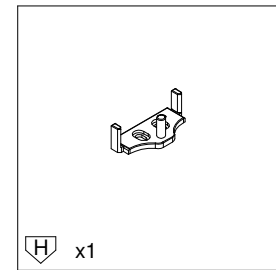
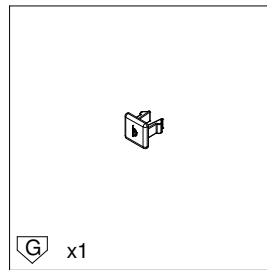
## DOOR INSTALLATION INSTRUCTION

# CONTENTS

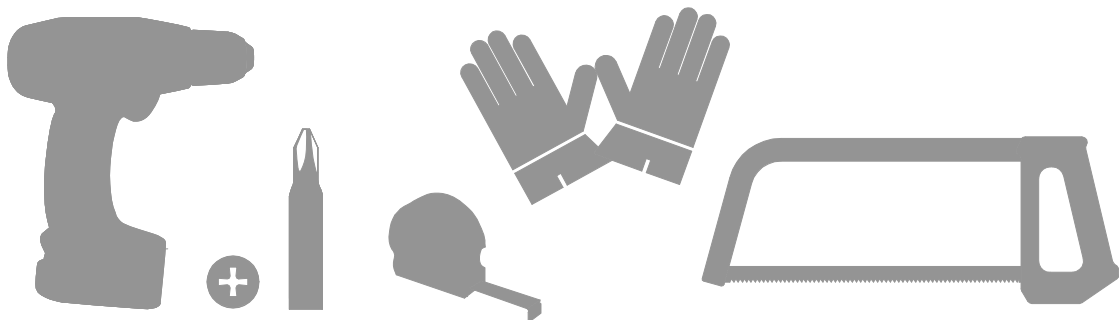
## Standard equipment



Ø M8

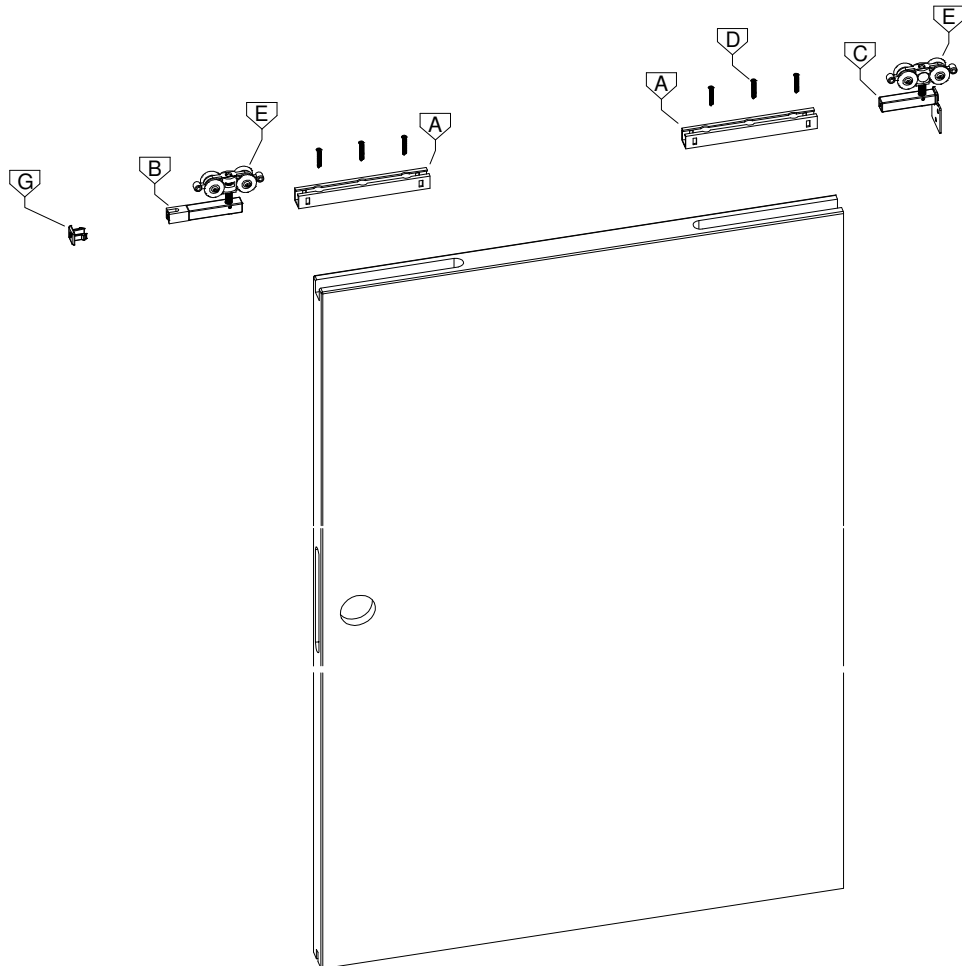


## Tools



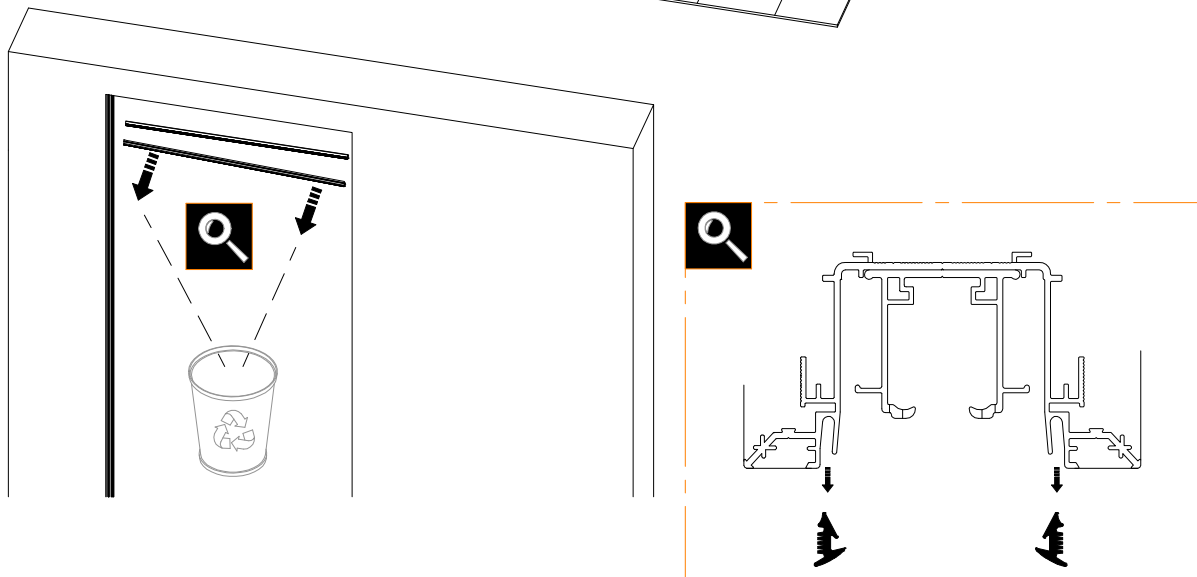
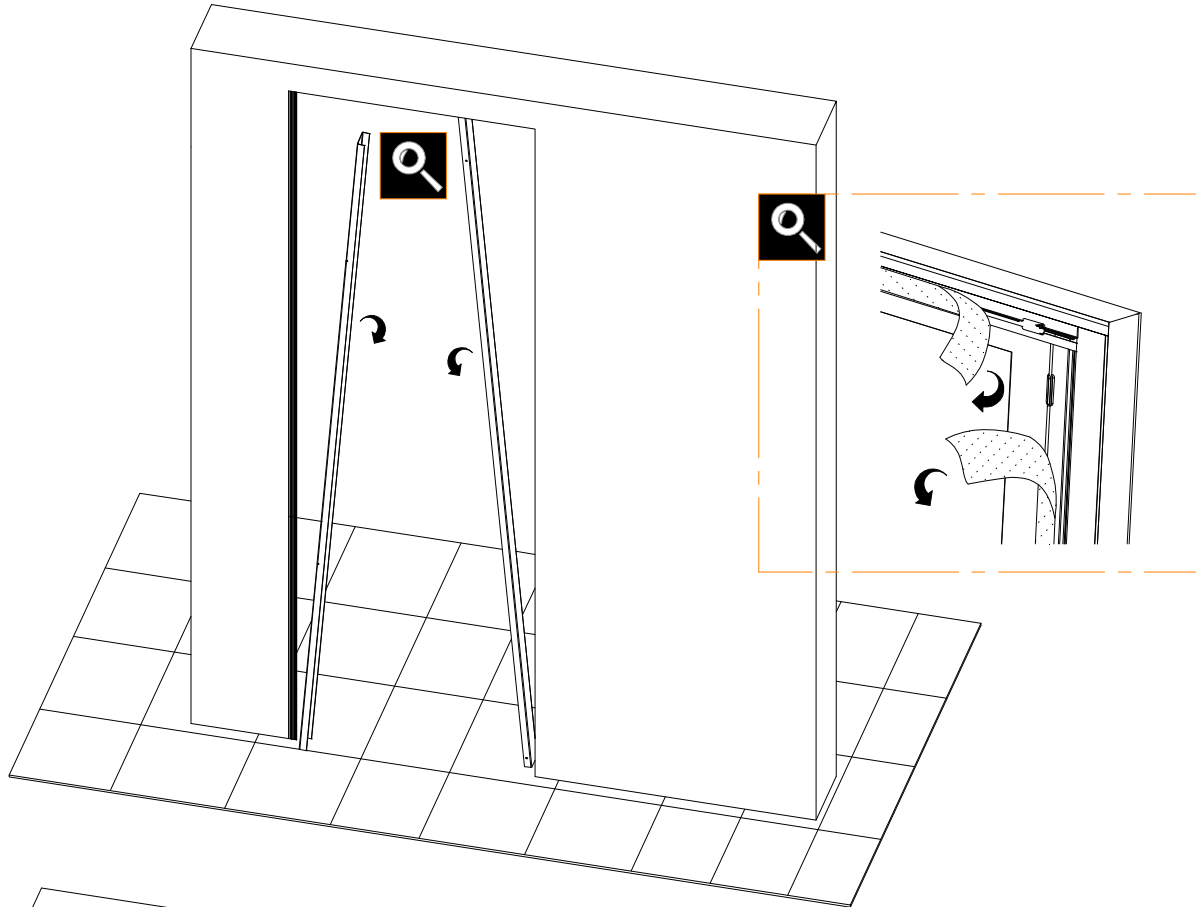
Overall view

---

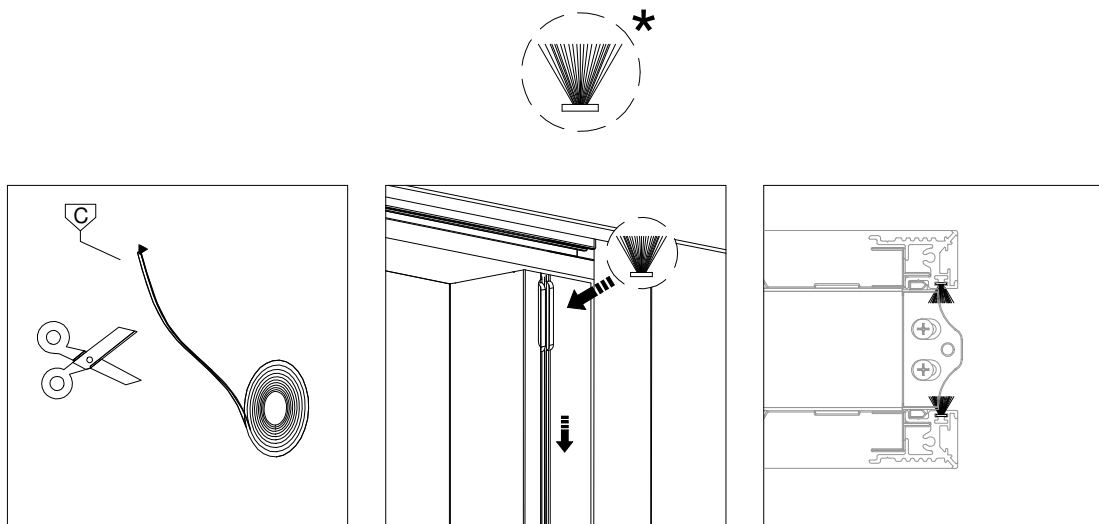
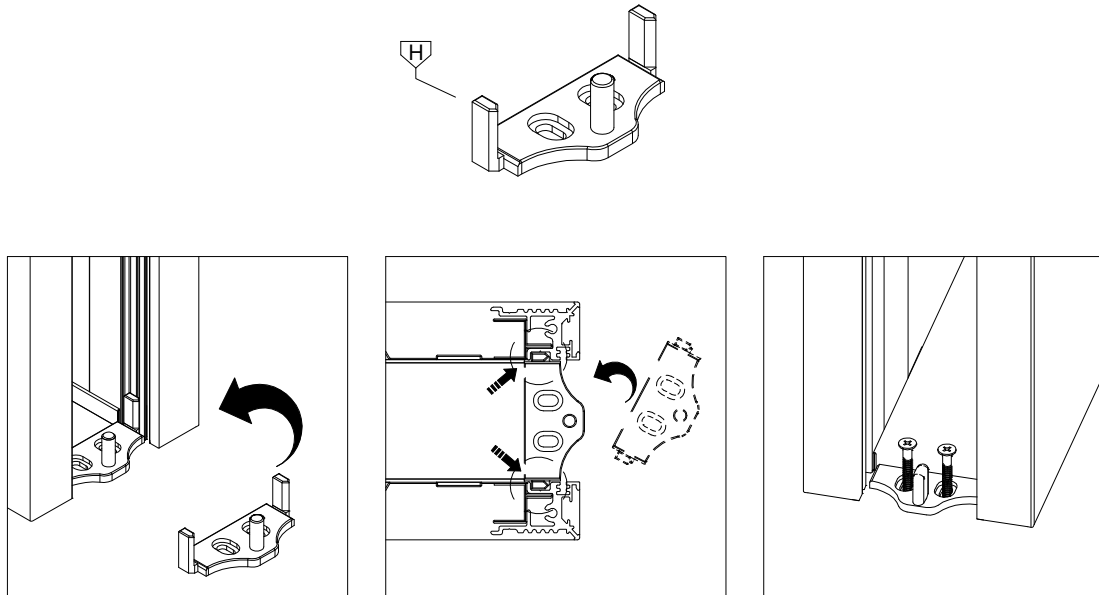


# SETUP

## 1.1



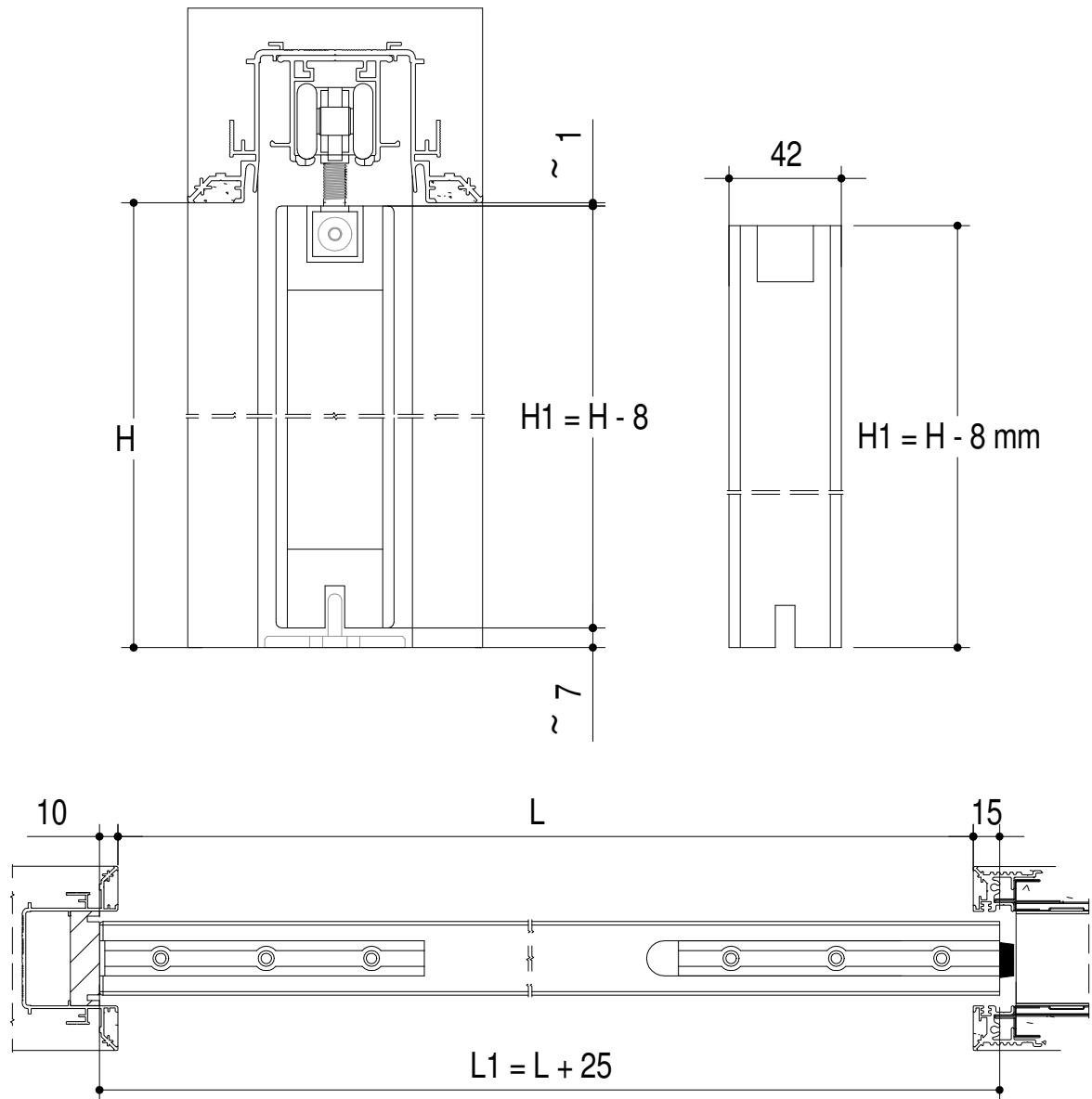
1.2



SETUP

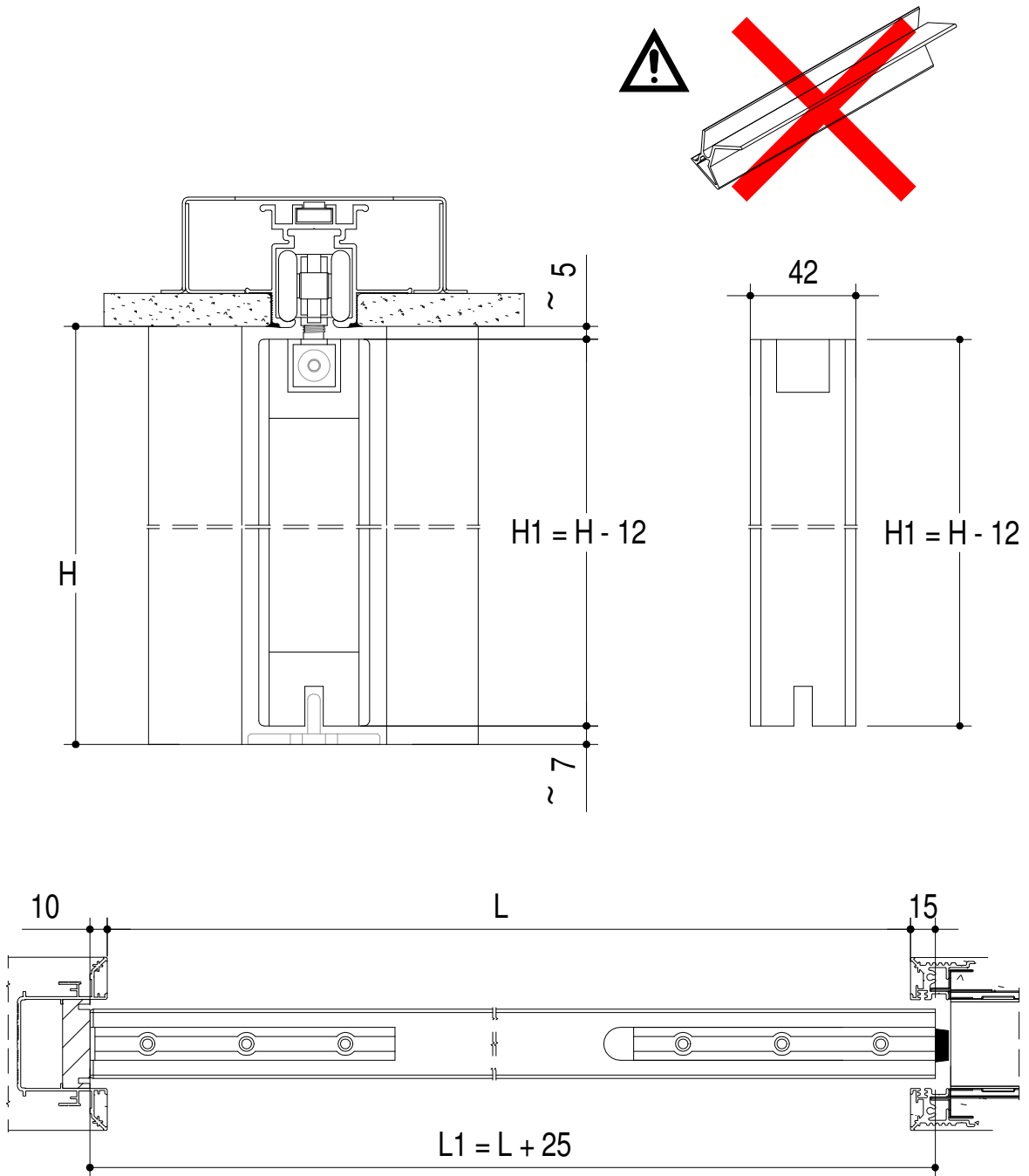
2.1

MOD. ABSOLUTE EVO



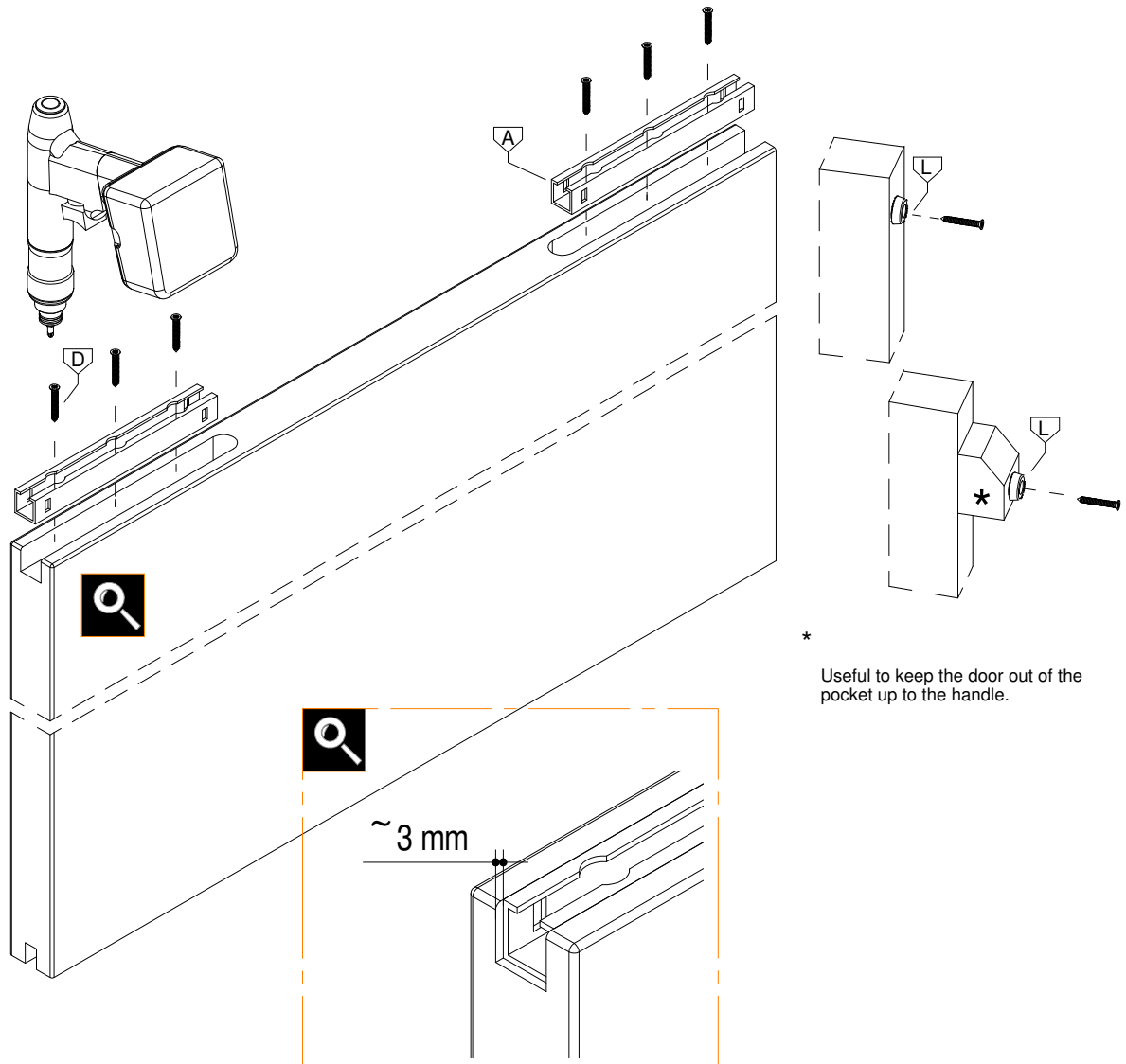
## 2.2

## MOD. ABSOLUTE EVO

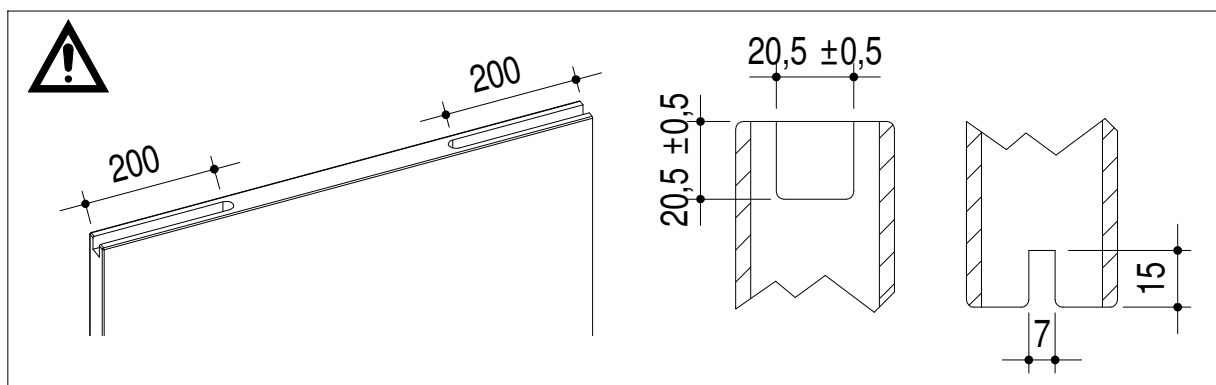


# SETUP

## 2.3



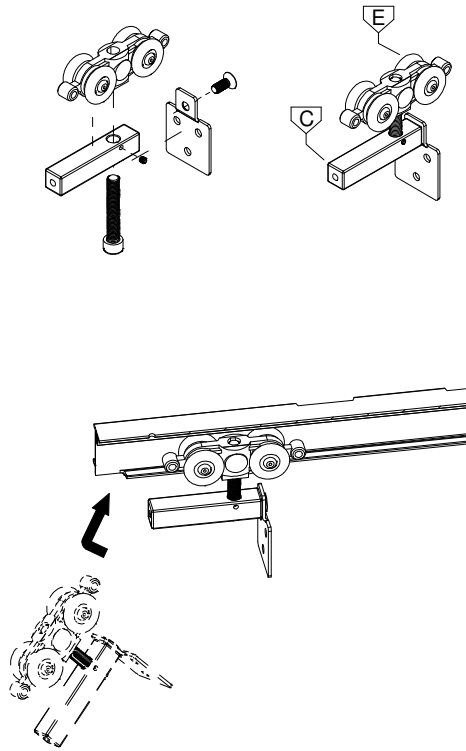
\* Useful to keep the door out of the pocket up to the handle.



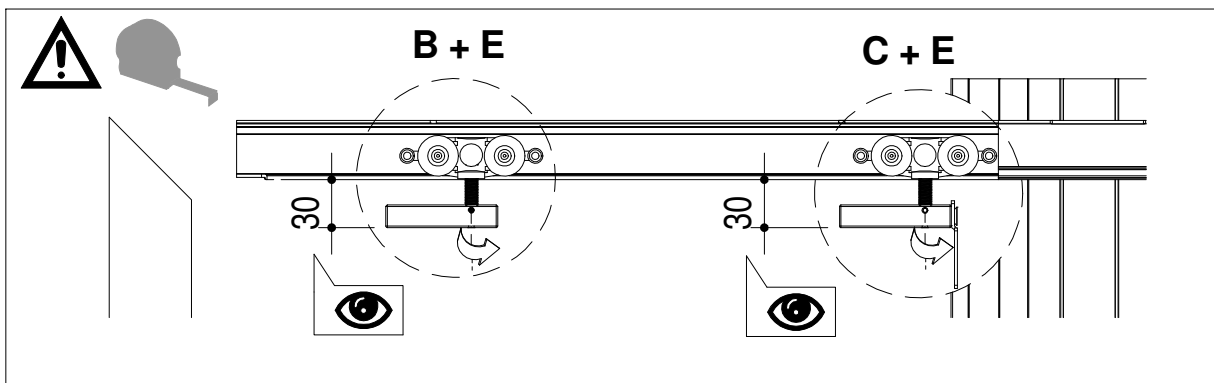
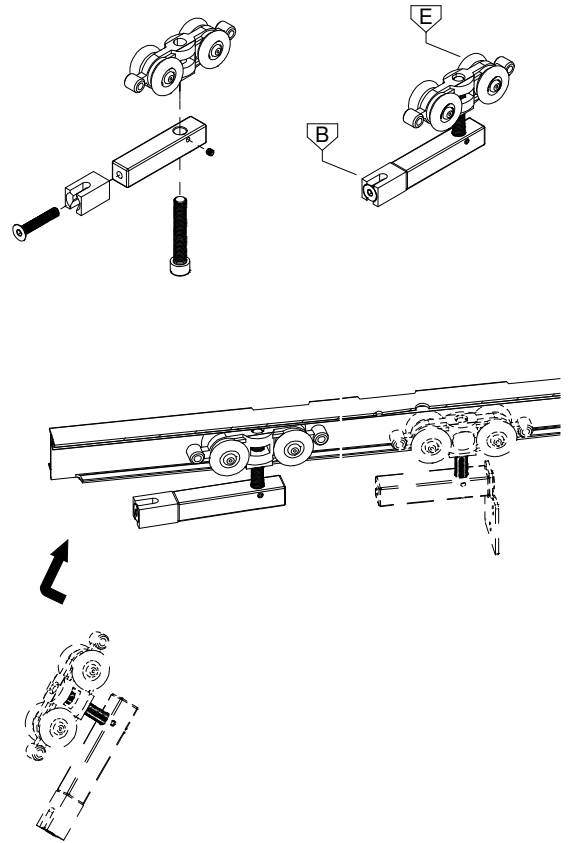


3.1

C + E

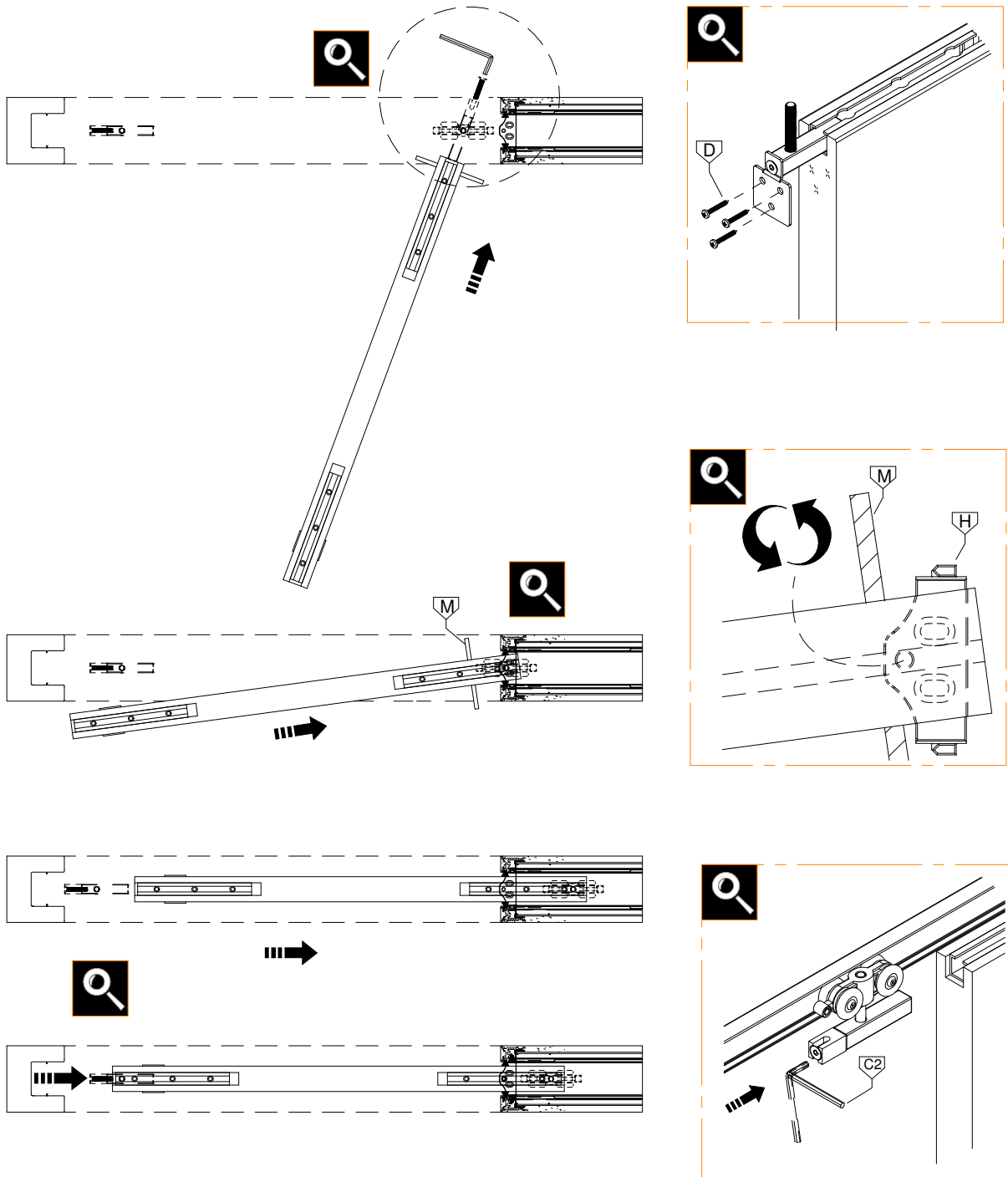


B + E

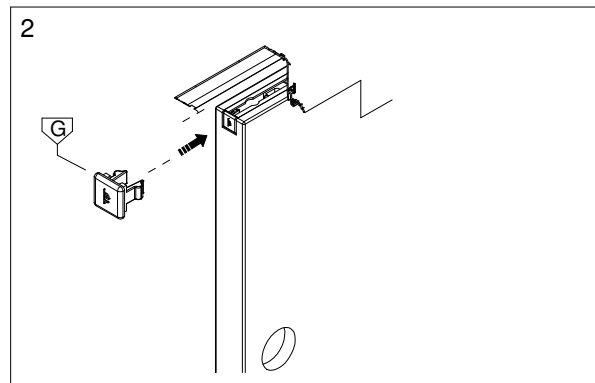
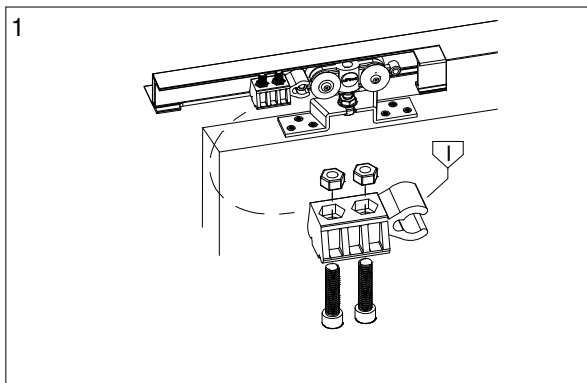
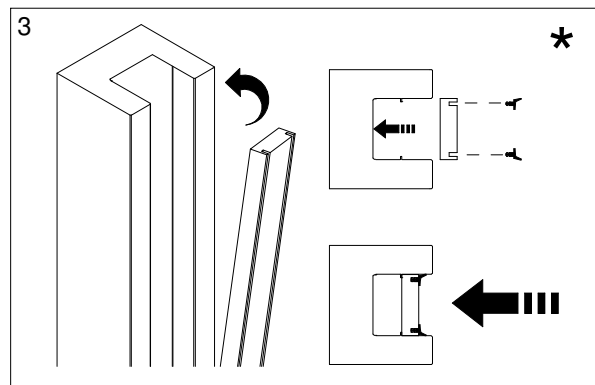
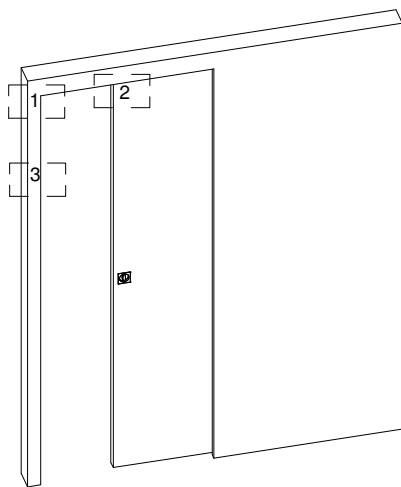
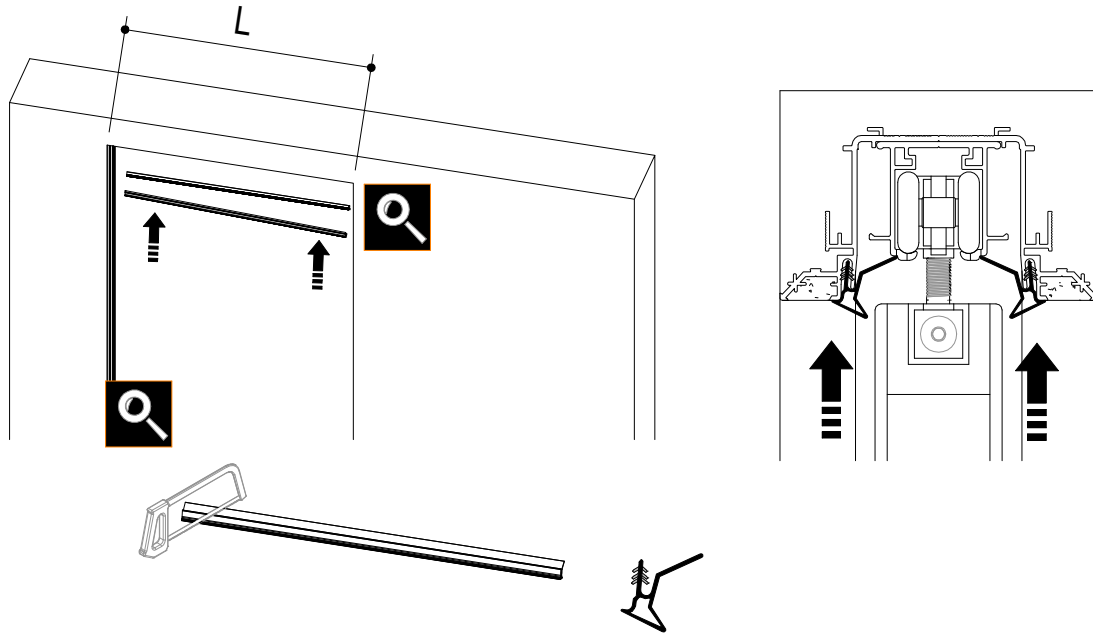


# SETUP

## 3.2



3.3



Subject to misprints, errors and technical modifications.  
All dimensions are in mm



WATCH OUR  
**You Tube**  
VIDEOS HERE

