



SlimFold  
**ECO**  
**URBAN**

# FITTING GUIDE

**Direct Doors.com**<sup>®</sup>

All content and images are copyright protected by DirectDoors.com  
Intellectual Property Office Trademark.



# DOOR CONFIGURATIONS & SIZES AT A GLANCE



DOOR CONFIGURATION	OVERALL WIDTH OPTIONS	OVERALL WIDTH WITHOUT FRAME	OVERALL WIDTH INCLUDING FRAME	OVERALL HEIGHT WITHOUT FRAME	OVERALL HEIGHT INCLUDING FRAME
2 + 2	298mm	1213mm	1273mm	2038mm	2068mm
2 + 2	337mm	1369mm	1429mm	2038mm	2068mm
2 + 2	375mm	1521mm	1581mm	2038mm	2068mm
2 + 2	413mm	1673mm	1733mm	2038mm	2068mm
3 + 0	298mm	909mm	969mm	2038mm	2068mm
3 + 0	337mm	1026mm	1086mm	2038mm	2068mm
3 + 0	375mm	1140mm	1200mm	2038mm	2068mm
3 + 0	413mm	1254mm	1314mm	2038mm	2068mm
3 + 1	298mm	1213mm	1273mm	2038mm	2068mm
3 + 1	337mm	1369mm	1429mm	2038mm	2068mm
3 + 1	375mm	1521mm	1581mm	2038mm	2068mm
3 + 1	413mm	1673mm	1733mm	2038mm	2068mm
3 + 2	298mm	1513mm	1573mm	2038mm	2068mm
3 + 2	337mm	1708mm	1768mm	2038mm	2068mm
3 + 2	375mm	1898mm	1958mm	2038mm	2068mm
3 + 2	413mm	2088mm	2148mm	2038mm	2068mm
3 + 3	298mm	1812mm	1872mm	2038mm	2068mm
3 + 3	337mm	2046mm	2106mm	2038mm	2068mm
3 + 3	375mm	2274mm	2334mm	2038mm	2068mm
3 + 3	413mm	2502mm	2562mm	2038mm	2068mm
4 + 0	298mm	1209mm	1269mm	2038mm	2068mm
4 + 0	337mm	1365mm	1425mm	2038mm	2068mm
4 + 0	375mm	1517mm	1577mm	2038mm	2068mm
4 + 0	413mm	1669mm	1729mm	2038mm	2068mm
4 + 1	298mm	1513mm	1573mm	2038mm	2068mm
4 + 1	337mm	1708mm	1768mm	2038mm	2068mm
4 + 1	375mm	1898mm	1958mm	2038mm	2068mm
4 + 1	413mm	2088mm	2148mm	2038mm	2068mm
4 + 2	298mm	1802mm	1872mm	2038mm	2068mm
4 + 2	337mm	2046mm	2106mm	2038mm	2068mm
4 + 2	375mm	2274mm	2334mm	2038mm	2068mm
4 + 2	413mm	2502mm	2562mm	2038mm	2068mm
4 + 3	298mm	2112mm	2172mm	2038mm	2068mm
4 + 3	337mm	2385mm	2445mm	2038mm	2068mm
4 + 3	375mm	2651mm	2711mm	2038mm	2068mm
4 + 3	413mm	2917mm	2977mm	2038mm	2068mm
4 + 4	298mm	2411mm	2471mm	2038mm	2068mm
4 + 4	337mm	2723mm	2783mm	2038mm	2068mm
4 + 4	375mm	3027mm	3087mm	2038mm	2068mm
4 + 4	413mm	3331mm	3391mm	2038mm	2068mm

Frame materials may be supplied slightly oversized for on-cutting, please refer to cutting size.



Please be aware that each image or PDF's file for our internal folding doors show a position of a flush pull, hinges, slip bolt etc, but the position of each item is very dependent on how you and your carpenter decide the doors should open.

There will be occasions when you may decide that the flush pull is better fitted in the centre of the middle door for a 3 door set or indeed a latch handle is fitted on the main opening door, the slip bolt must be fitted, but every other decision is yours to make - just decide before fitting.

The small door stops for some of the configurations will have to be "offset" so one leg allows the main door to close against it in a traditional manner whereas the same door stop will be fitted on the opposite side at the other frame leg.

Our Eco-Urban SlimFold doors and frames are premium primed finish and need to have the top coat applied before fitting.

## IMPORTANT

Please note: You can only assemble these door configurations by using the frame provided. Your warranty will be invalid if other alternatives are used.

All loads are taken by the top track to ensure smooth, light operation and long life.

Prior to installing this doorset, inspect for damage and do not proceed to fit if any noticeable damage or defect is evident. This doorset should be stored in a dry flat location before installation.

## CAUTION



**SAFETY:** This product needs to be installed by a competent tradesperson with assistance. Two people are required to carry out the installation, as some components are heavy.

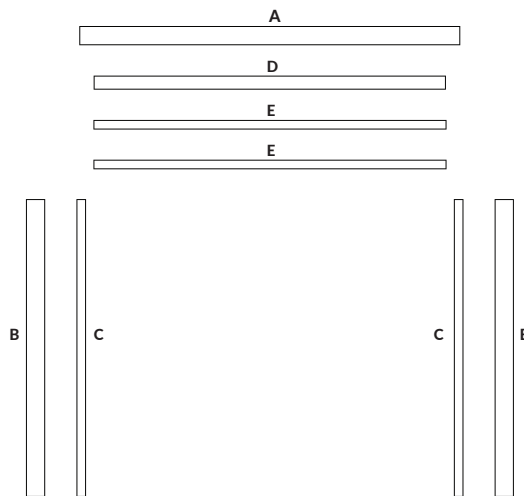
The outer frame requires fixing to the supporting structure above the opening.

The opening **MUST** be capable of carrying the load of the doorset in all conditions.

SlimFold  
**ECO  
URBAN**

**ECO-URBAN SLIMFOLD  
FOLDING DOORS  
COMPONENT LIST**

**2+2**



FRAME

Frame linings are an MDF solid core construction, Premium Primed.

	FRAME LINTOL	A - x1
	FRAME SIDE/LEG	B - x2
	FRAME STOP	C - x2
	PELMET	D - x1
	TRACK COVER	E - x2

FRAME SCREW x5

TRACK COVER SCREW & CAP x8 or x12

PINS FOR PELMET & FRAME STOPS INCLUDED  
(extra screws, screw caps and pins are supplied)

The items below will be delivered from our preferred track supplier.

SCREWS AND CAPS

	ALUMINIUM TOP TRACK	x1
	PIVOT SET	x2
	HANGER SET	x2
	HOLD BACK CATCH	x2
	HINGE	x8
	FLUSH BOLT	x2

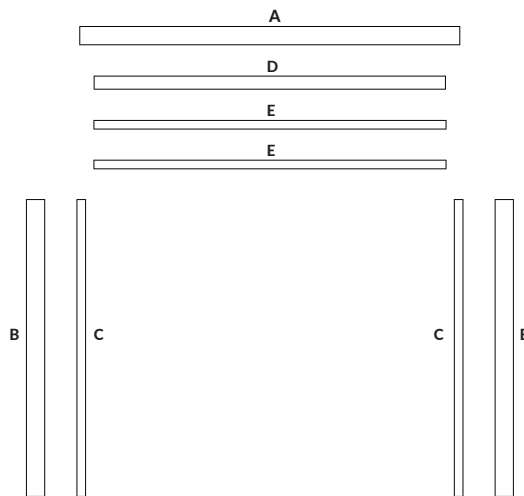
TRACK

\*Not to scale, dimensions will vary depending on the option chosen.

SlimFold  
**ECO  
URBAN**

**ECO-URBAN SLIMFOLD  
FOLDING DOORS  
COMPONENT LIST**

**3+0**



FRAME

Frame linings are an MDF solid core construction, Premium Primed.

	FRAME LINTOL	A - x1
	FRAME SIDE/LEG	B - x2
	FRAME STOP	C - x2
	PELMET	D - x1
	TRACK COVER	E - x2

FRAME SCREW x5

TRACK COVER SCREW & CAP x8

PINS FOR PELMET & FRAME STOPS INCLUDED  
(extra screws, screw caps and pins are supplied)

The items below will be delivered from our preferred track supplier.

SCREWS AND CAPS

	ALUMINIUM TOP TRACK	x1
	PIVOT SET	x1
	HANGER SET	x1
	HOLD BACK CATCH	x1
	HINGE	x8
	FLUSH BOLT	x2

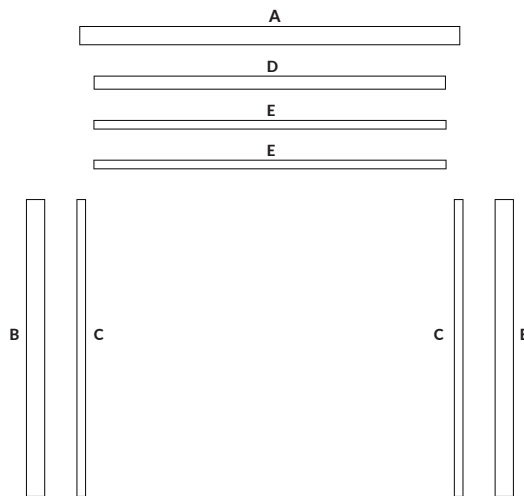
TRACK

\*Not to scale, dimensions will vary depending on the option chosen.

SlimFold  
**ECO  
URBAN**

**ECO-URBAN SLIMFOLD  
FOLDING DOORS  
COMPONENT LIST**

**3+1**



FRAME

Frame linings are an MDF solid core construction, Premium Primed.

	FRAME LINTOL	A - x1
	FRAME SIDE/LEG	B - x2
	FRAME STOP	C - x2
	PELMET	D - x1
	TRACK COVER	E - x2

FRAME SCREW x5

TRACK COVER SCREW & CAP x8 or x12

PINS FOR PELMET & FRAME STOPS INCLUDED  
(extra screws, screw caps and pins are supplied)

The items below will be delivered from our preferred track supplier.

SCREWS AND CAPS

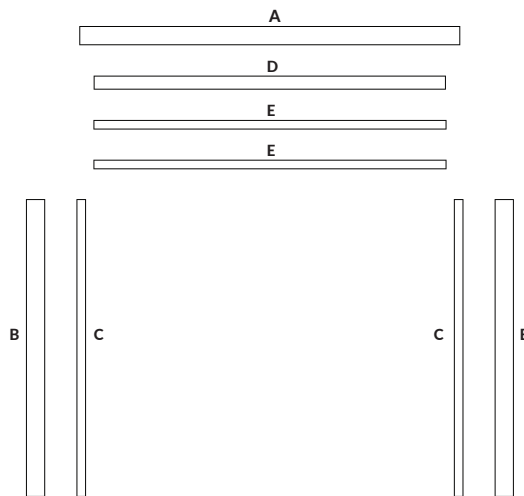
	ALUMINIUM TOP TRACK	x1
	PIVOT SET	x2
	HANGER SET	x1
	HOLD BACK CATCH	x2
	HINGE	x8
	FLUSH BOLT	x3

TRACK

SlimFold  
**ECO  
URBAN**

**ECO-URBAN SLIMFOLD  
FOLDING DOORS  
COMPONENT LIST**

**3+2**



FRAME

Frame linings are an MDF solid core construction, Premium Primed.

	FRAME LINTOL	A - x1
	FRAME SIDE/LEG	B - x2
	FRAME STOP	C - x2
	PELMET	D - x1
	TRACK COVER	E - x2

FRAME SCREW x5

TRACK COVER SCREW & CAP x8 or x12

PINS FOR PELMET & FRAME STOPS INCLUDED  
(extra screws, screw caps and pins are supplied)

The items below will be delivered from our preferred track supplier.

SCREWS AND CAPS

ALUMINIUM TOP TRACK x1

PIVOT SET x2

HANGER SET x2

HOLD BACK CATCH x2

HINGE x12

FLUSH BOLT x3

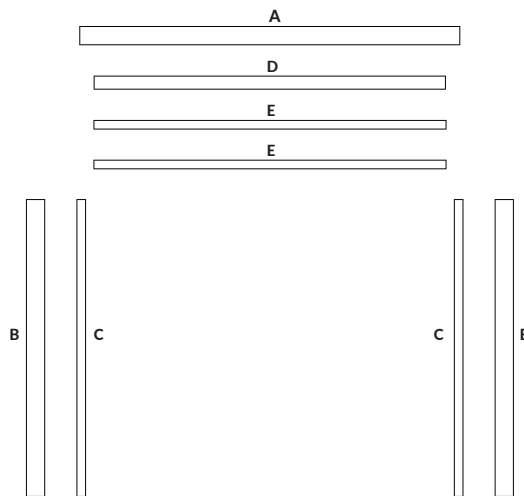
TRACK

\*Not to scale, dimensions will vary depending on the option chosen.

SlimFold  
**ECO  
URBAN**

**ECO-URBAN SLIMFOLD  
FOLDING DOORS  
COMPONENT LIST**

**3+3**



FRAME

Frame linings are an MDF solid core construction, Premium Primed.

	FRAME LINTOL	A - x1
	FRAME SIDE/LEG	B - x2
	FRAME STOP	C - x2
	PELMET	D - x1
	TRACK COVER	E - x2

FRAME SCREW x5

TRACK COVER SCREW & CAP x12

PINS FOR PELMET & FRAME STOPS INCLUDED  
(extra screws, screw caps and pins are supplied)

The items below will be delivered from our preferred track supplier.

SCREWS AND CAPS

	ALUMINIUM TOP TRACK	x1
	PIVOT SET	x2
	HANGER SET	x2
	HOLD BACK CATCH	x2
	HINGE	x16
	FLUSH BOLT	x4

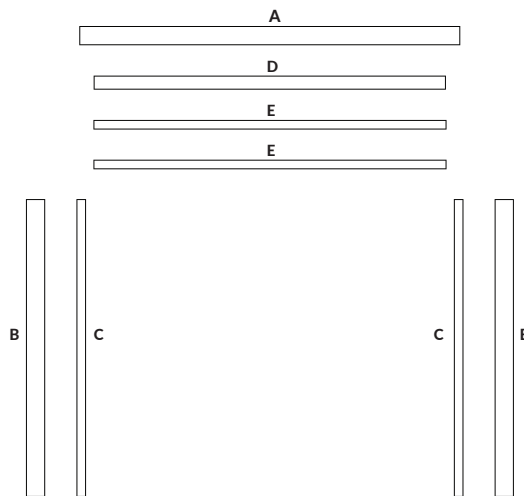
TRACK



SlimFold  
**ECO  
URBAN**

**ECO-URBAN SLIMFOLD  
FOLDING DOORS  
COMPONENT LIST**

**4+0**



FRAME

Frame linings are an MDF solid core construction, Premium Primed.

	FRAME LINTOL	A - x1
	FRAME SIDE/LEG	B - x2
	FRAME STOP	C - x2
	PELMET	D - x1
	TRACK COVER	E - x2

FRAME SCREW x5

TRACK COVER SCREW & CAP x8 or x12

PINS FOR PELMET & FRAME STOPS INCLUDED  
(extra screws, screw caps and pins are supplied)

The items below will be delivered from our preferred track supplier.

SCREWS AND CAPS

ALUMINIUM TOP TRACK x1

PIVOT SET x1

HANGER SET x2

HOLD BACK CATCH x1

HINGE x12

FLUSH BOLT x2

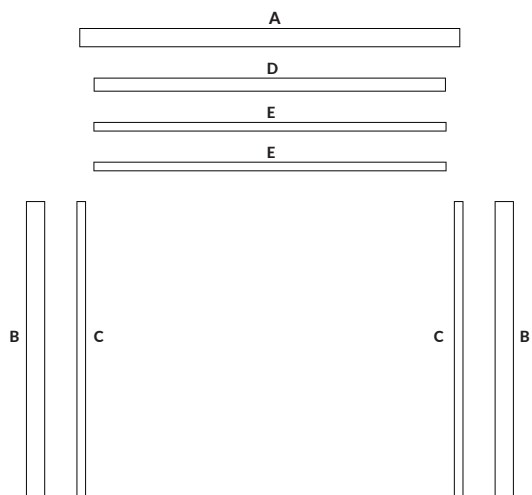
TRACK

\*Not to scale, dimensions will vary depending on the option chosen.

SlimFold  
**ECO  
URBAN**

**ECO-URBAN SLIMFOLD  
FOLDING DOORS  
COMPONENT LIST**

**4+1**



FRAME

Frame linings are an MDF solid core construction, Premium Primed.

FRAME LINTOL	A - x1
FRAME SIDE/LEG	B - x2
FRAME STOP	C - x2
PELMET	D - x1
TRACK COVER	E - x2

FRAME SCREW x5

TRACK COVER SCREW & CAP x8 or x12

PINS FOR PELMET & FRAME STOPS INCLUDED  
(extra screws, screw caps and pins are supplied)

The items below will be delivered from our preferred track supplier.

SCREWS AND CAPS

ALUMINIUM TOP TRACK x1

PIVOT SET x2

HANGER SET x2

HOLD BACK CATCH x2

HINGE x12

FLUSH BOLT x3

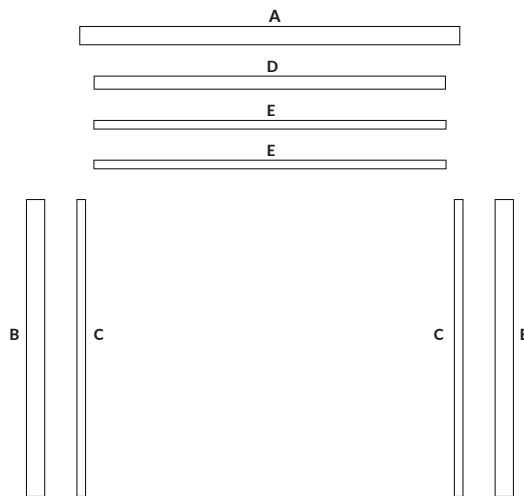
TRACK

\*Not to scale, dimensions will vary depending on the option chosen.

SlimFold  
**ECO  
URBAN**

**ECO-URBAN SLIMFOLD  
FOLDING DOORS  
COMPONENT LIST**

**4+2**



FRAME

Frame linings are an MDF solid core construction, Premium Primed.

	FRAME LINTOL	A - x1
	FRAME SIDE/LEG	B - x2
	FRAME STOP	C - x2
	PELMET	D - x1
	TRACK COVER	E - x2

FRAME SCREW x5

TRACK COVER SCREW & CAP x12 or x16

PINS FOR PELMET & FRAME STOPS INCLUDED  
(extra screws, screw caps and pins are supplied)

The items below will be delivered from our preferred track supplier.

SCREWS AND CAPS

ALUMINIUM TOP TRACK x1

PIVOT SET x2

HANGER SET x3

HOLD BACK CATCH x2

HINGE x16

FLUSH BOLT x3

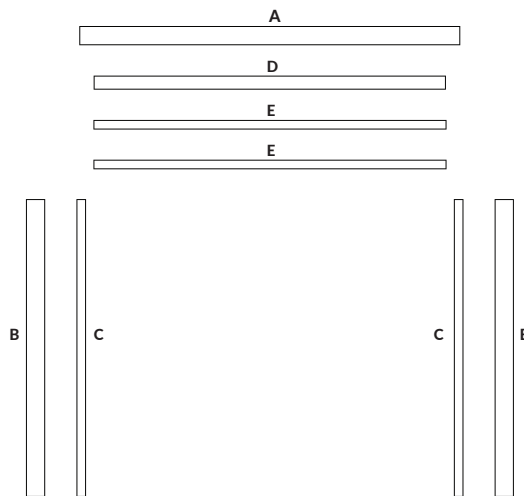
TRACK

\*Not to scale, dimensions will vary depending on the option chosen.

SlimFold  
**ECO  
URBAN**

**ECO-URBAN SLIMFOLD  
FOLDING DOORS  
COMPONENT LIST**

**4+3**



FRAME

Frame linings are an MDF solid core construction, Premium Primed.

	FRAME LINTOL	A - x1
	FRAME SIDE/LEG	B - x2
	FRAME STOP	C - x2
	PELMET	D - x1
	TRACK COVER	E - x2

FRAME SCREW x5

TRACK COVER SCREW & CAP x12 or x16

PINS FOR PELMET & FRAME STOPS INCLUDED  
(extra screws, screw caps and pins are supplied)

The items below will be delivered from our preferred track supplier.

SCREWS AND CAPS

ALUMINIUM TOP TRACK x1

PIVOT SET x2

HANGER SET x3

HOLD BACK CATCH x2

HINGE x20

FLUSH BOLT x4

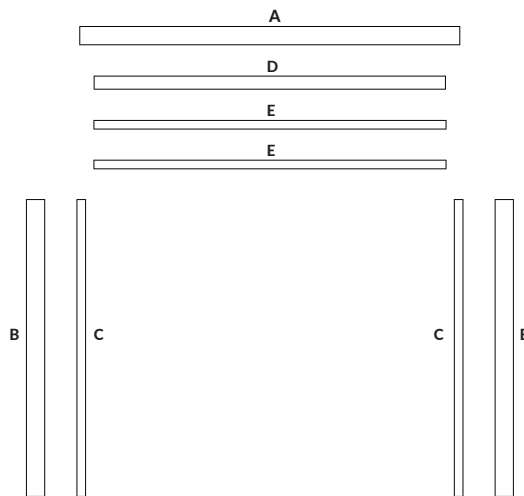
TRACK

\*Not to scale, dimensions will vary depending on the option chosen.

SlimFold  
**ECO  
URBAN**

**ECO-URBAN SLIMFOLD  
FOLDING DOORS  
COMPONENT LIST**

**4+4**



FRAME

Frame linings are an MDF solid core construction, Premium Primed.

	FRAME LINTOL	A - x1
	FRAME SIDE/LEG	B - x2
	FRAME STOP	C - x2
	PELMET	D - x1
	TRACK COVER	E - x2

FRAME SCREW x5

TRACK COVER SCREW & CAP x16

PINS FOR PELMET & FRAME STOPS INCLUDED  
(extra screws, screw caps and pins are supplied)

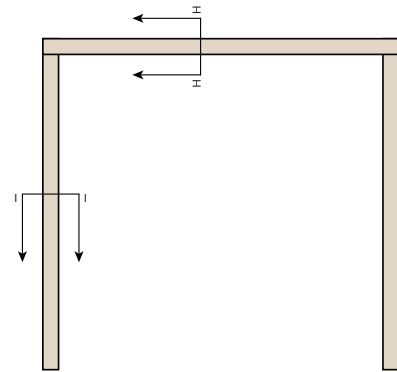
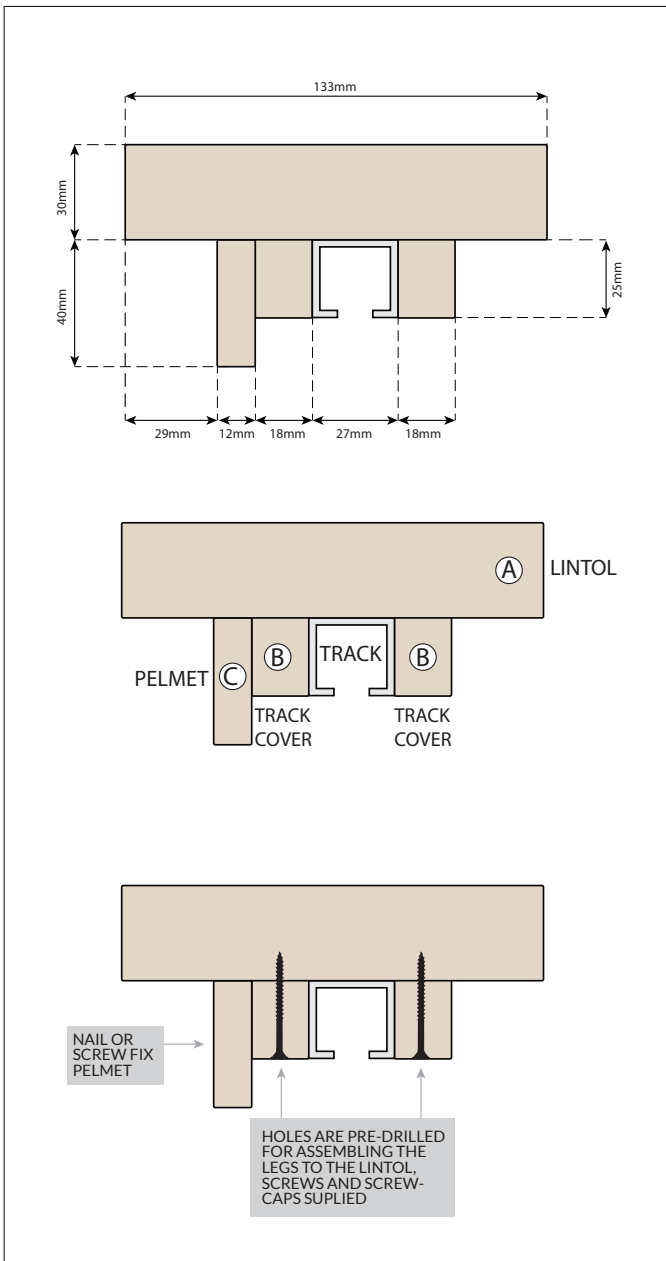
The items below will be delivered from our preferred track supplier.

SCREWS AND CAPS

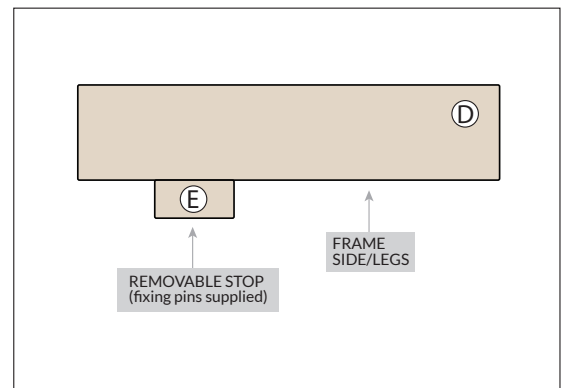
	ALUMINIUM TOP TRACK	x1
	PIVOT SET	x2
	HANGER SET	x4
	HOLD BACK CATCH	x2
	HINGE	x24
	FLUSH BOLT	x4

TRACK

### SECTION H-H

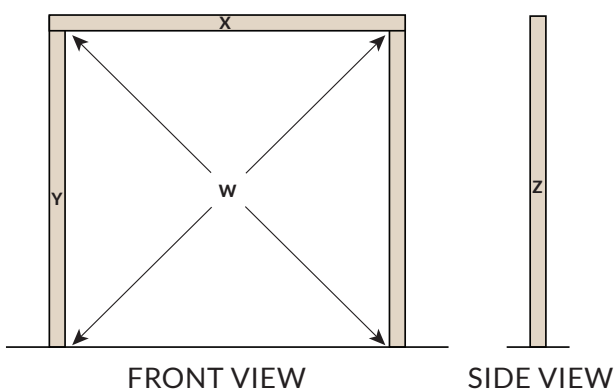


### SECTION I-I

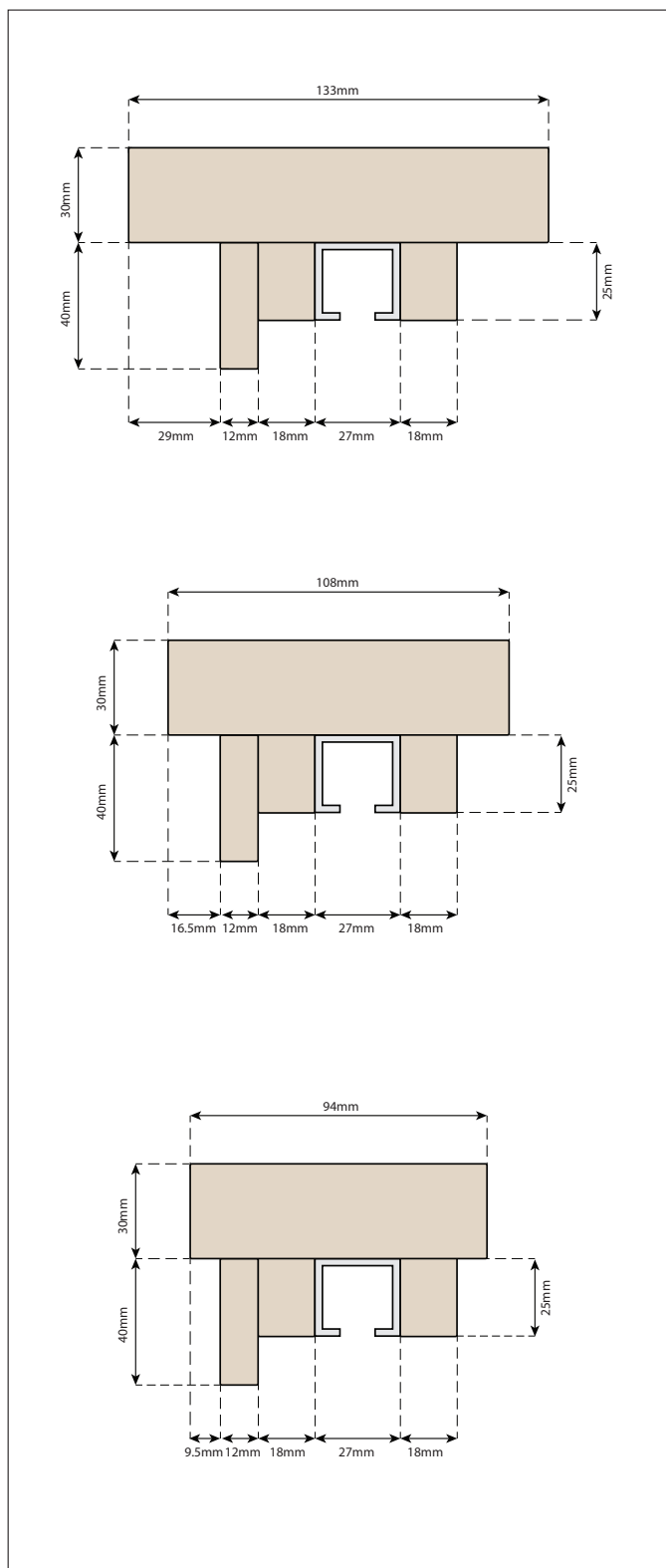


- (A) FRAME LINTOL
- (B) TRACK COVERS
- (C) PELMET
- (E) DOOR STOPS
- (D) FRAME LEGS

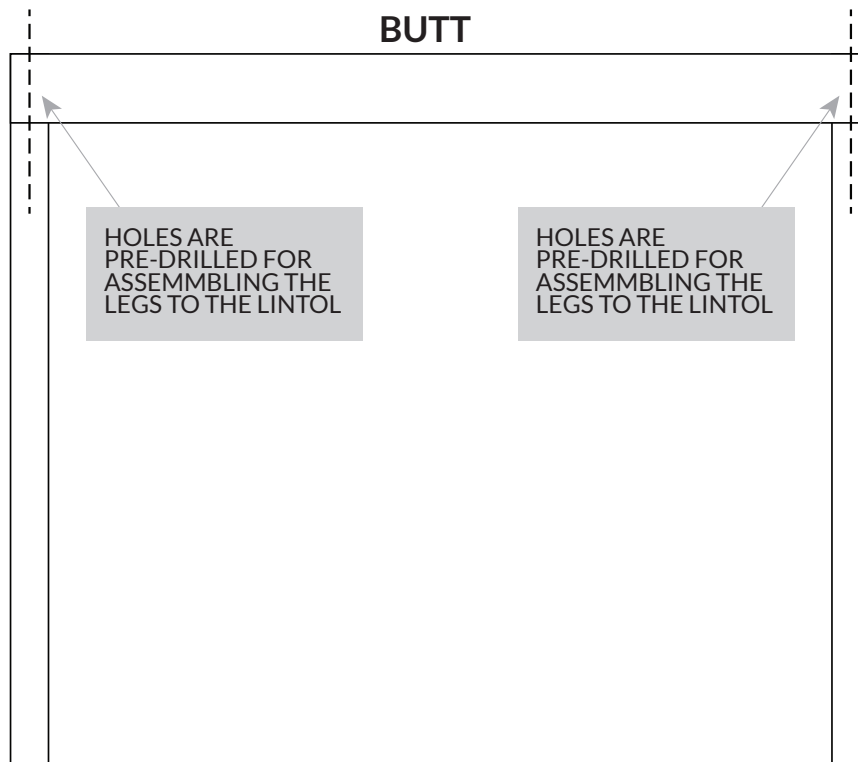
**FRAMES MUST BE PERFECTLY ALIGNED ON ALL THREE AXIS**



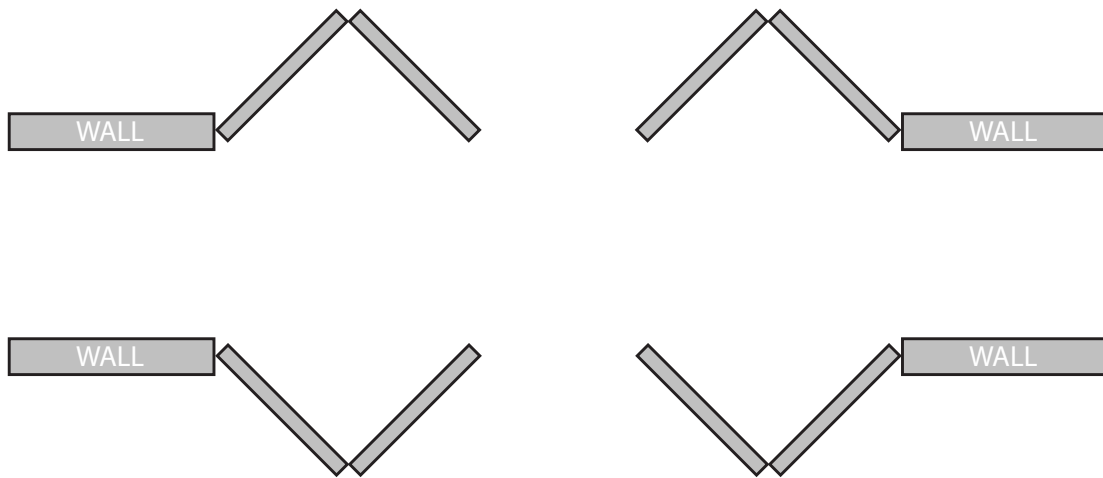
X: horizontal,  
 Y: vertical,  
 Z: lateral = all must be true,  
 W = must be perfectly symmetrical/square



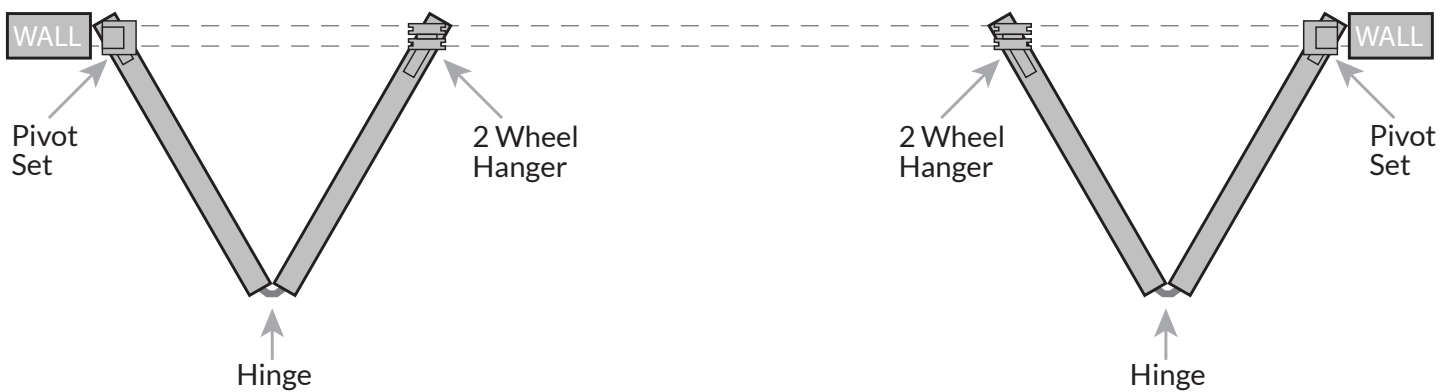
Frame legs and lintol may be longer than required.



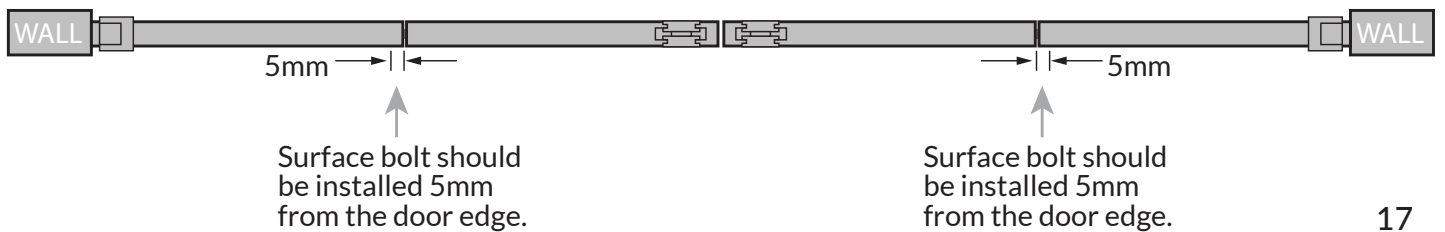


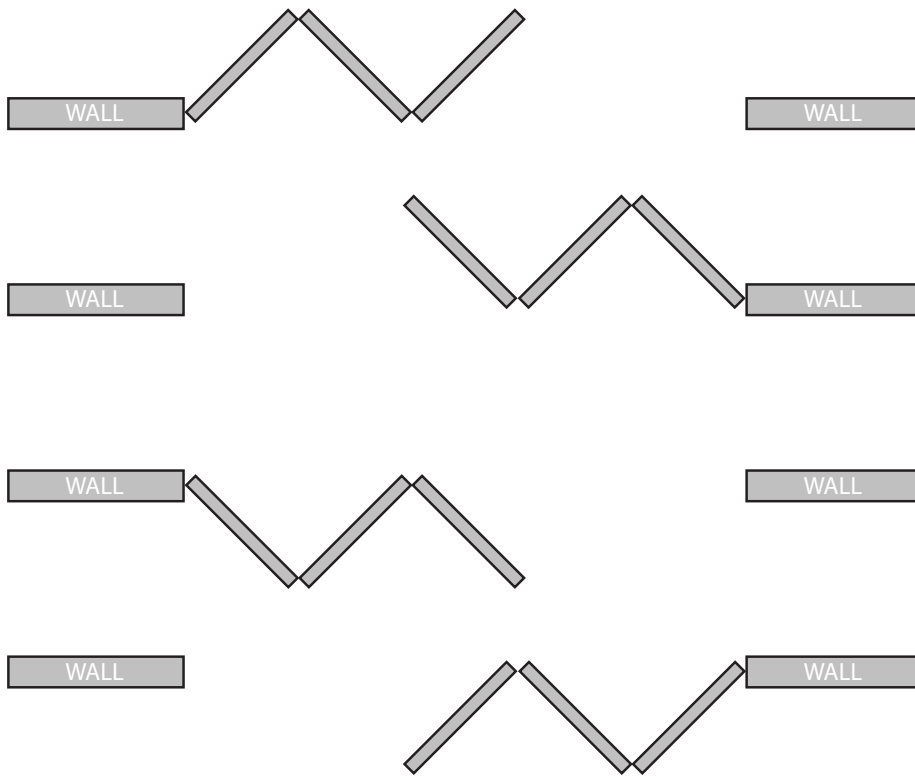


SEMI-OPEN

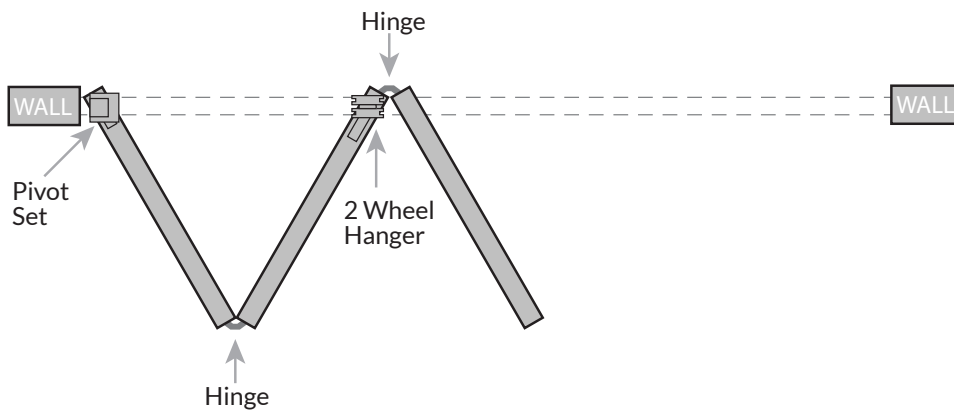


CLOSED

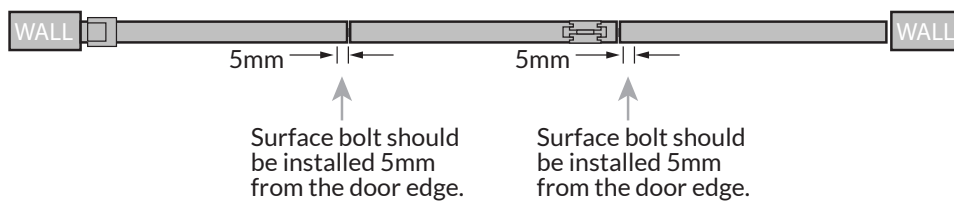


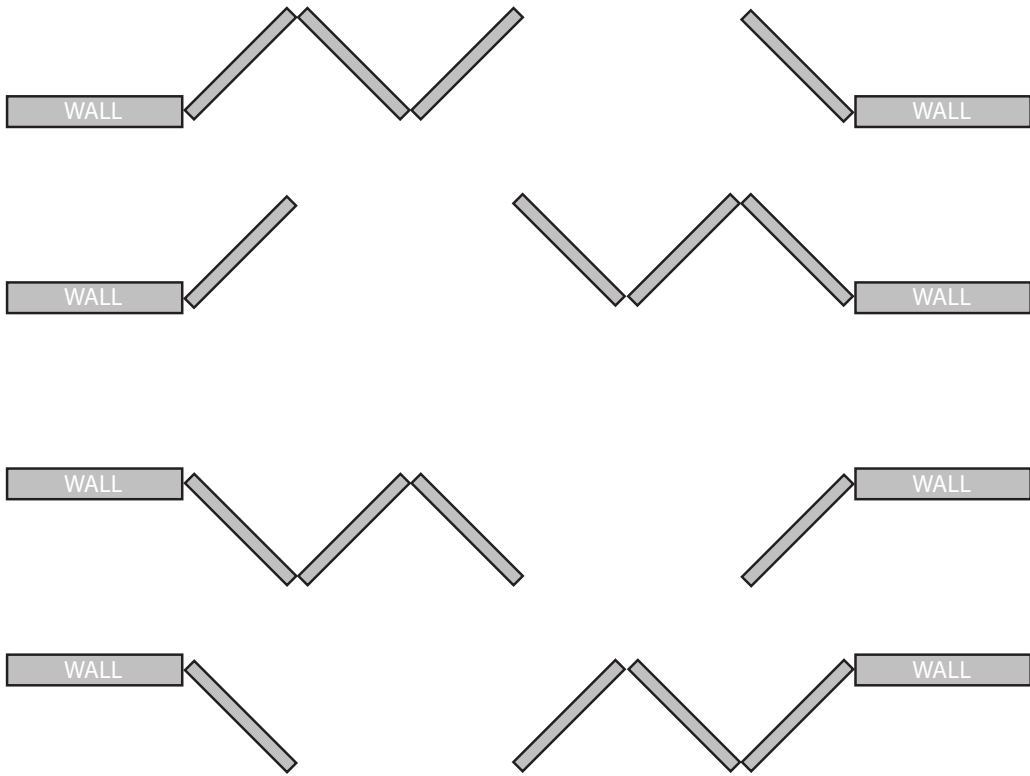


SEMI-OPEN

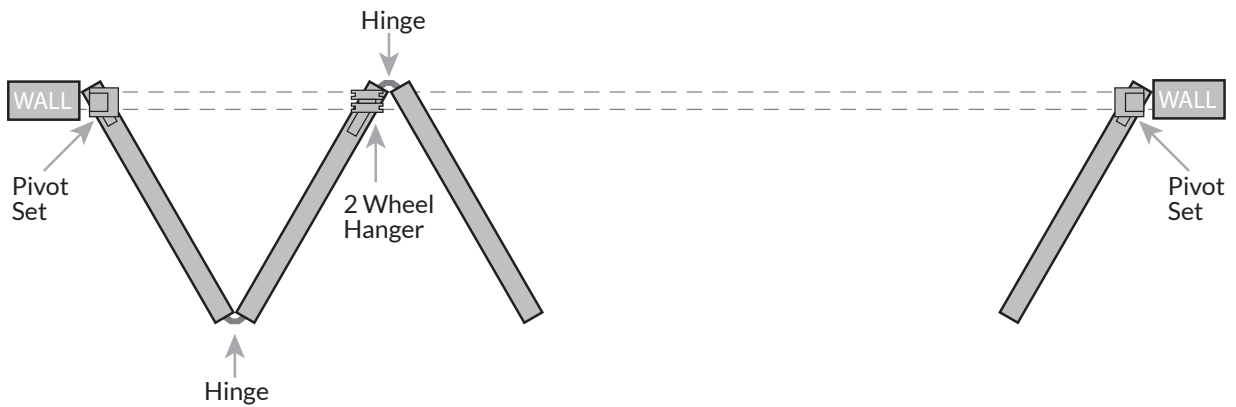


CLOSED

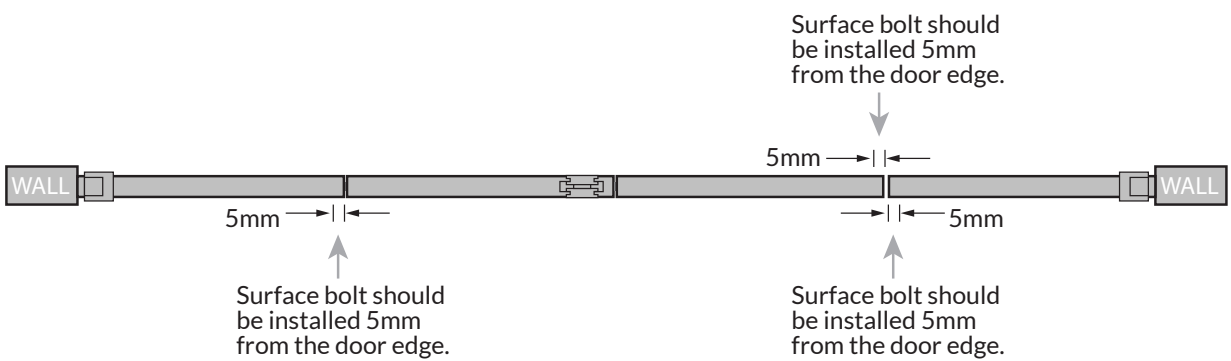


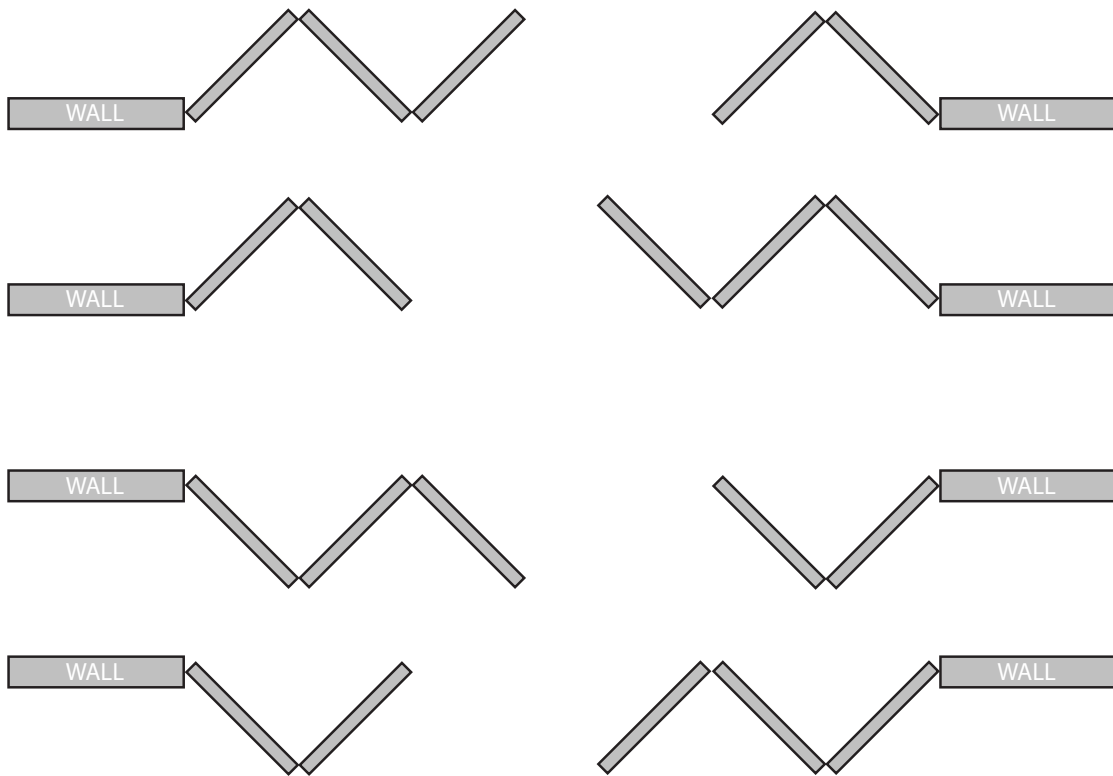


SEMI-OPEN

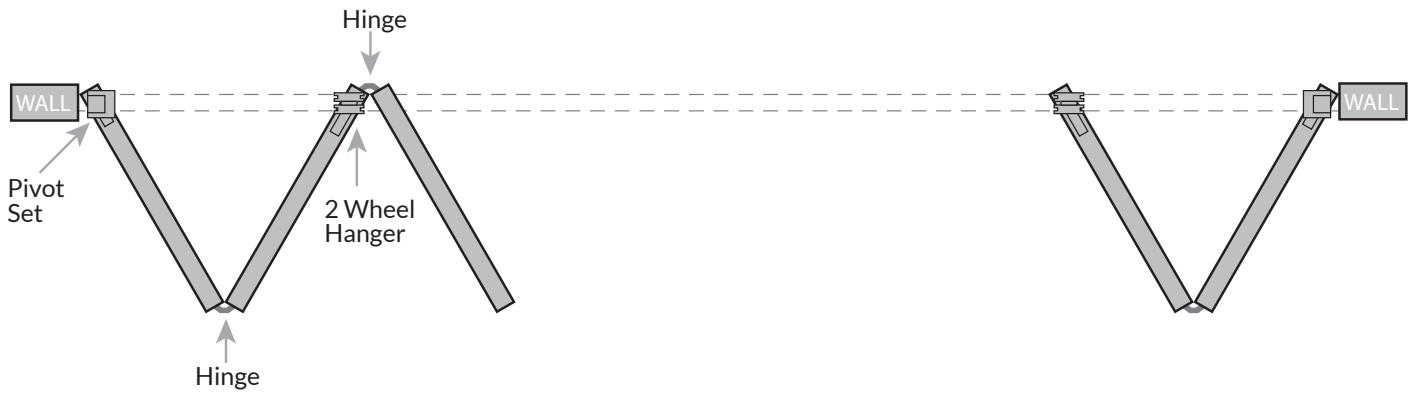


CLOSED

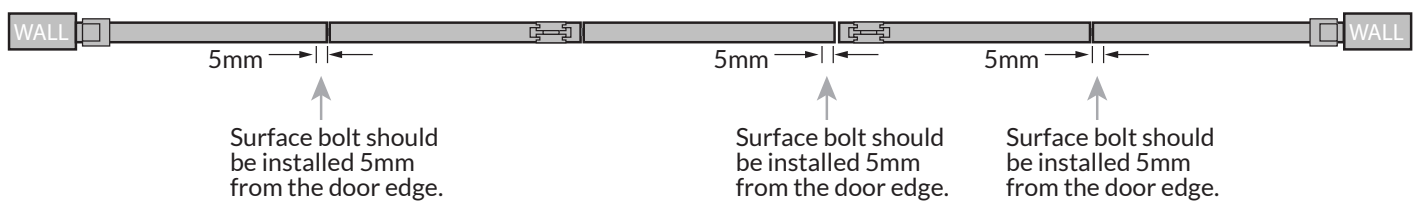


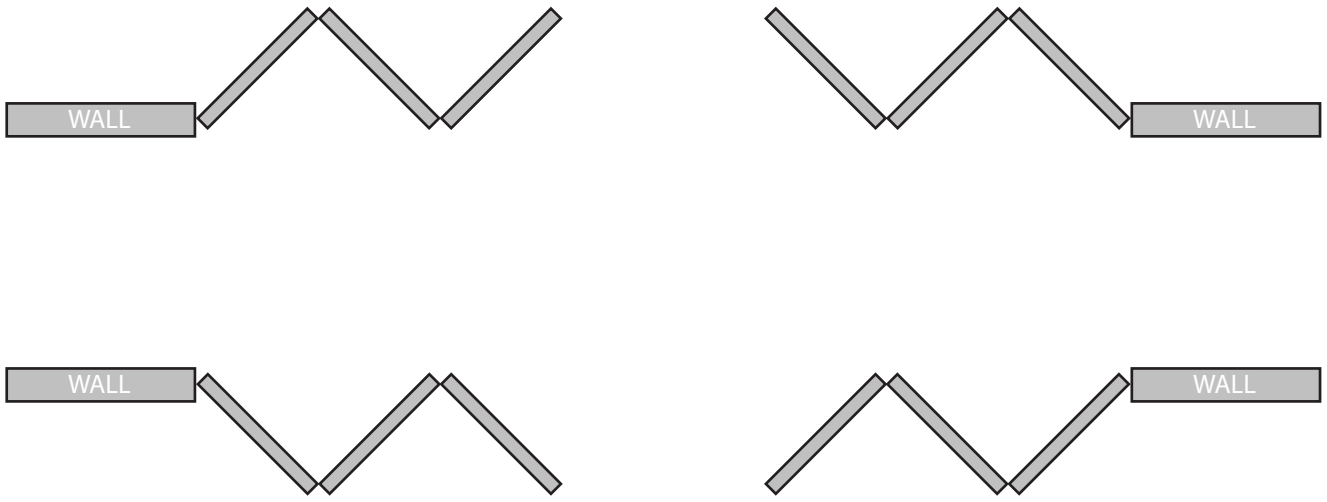


SEMI-OPEN



CLOSED

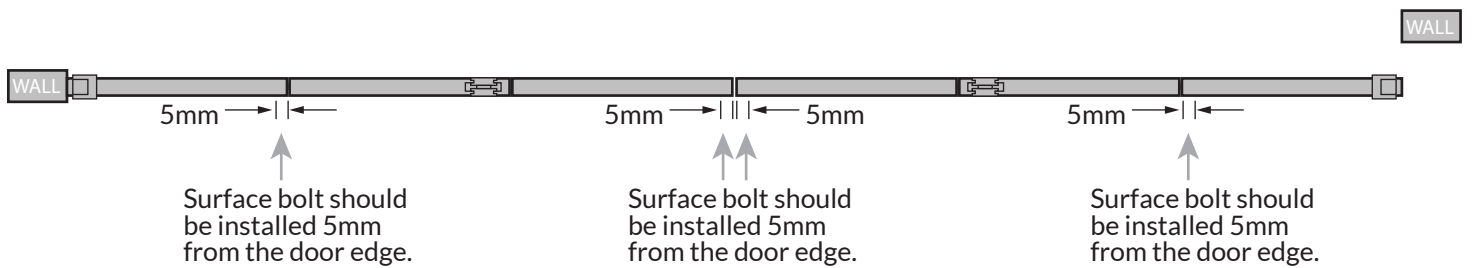


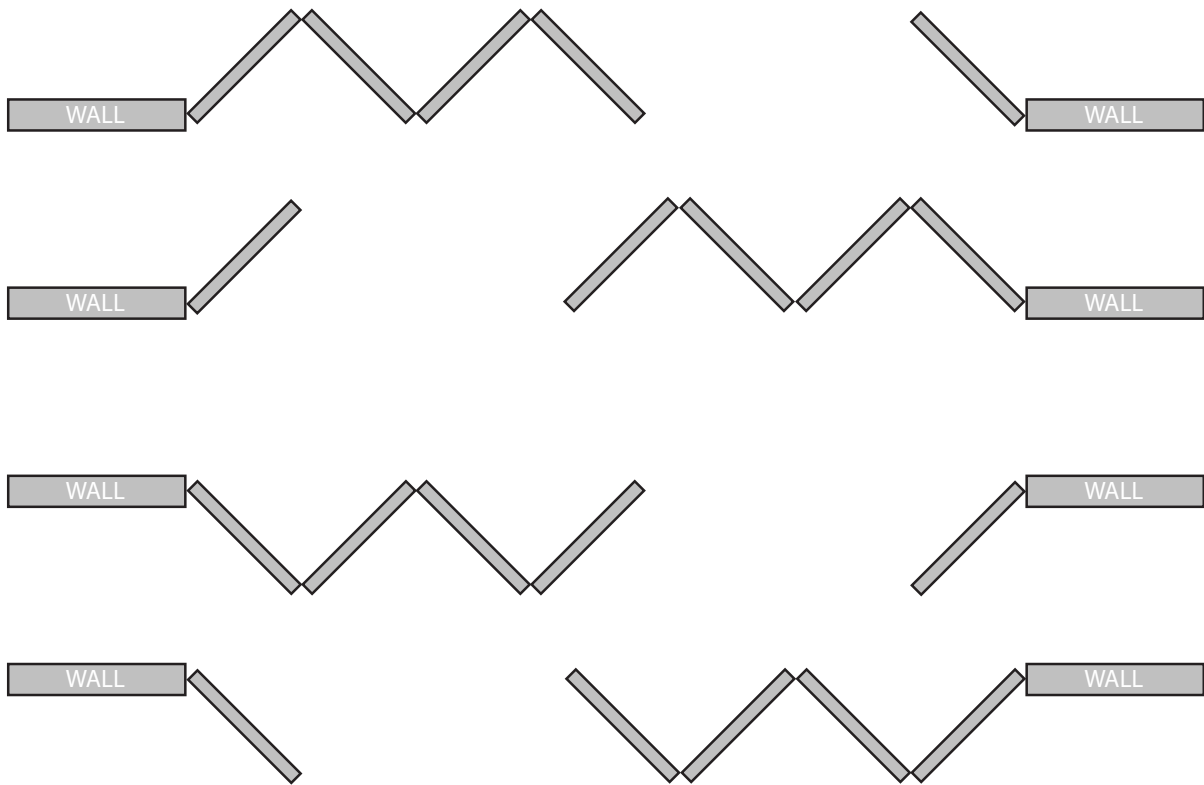


SEMI-OPEN

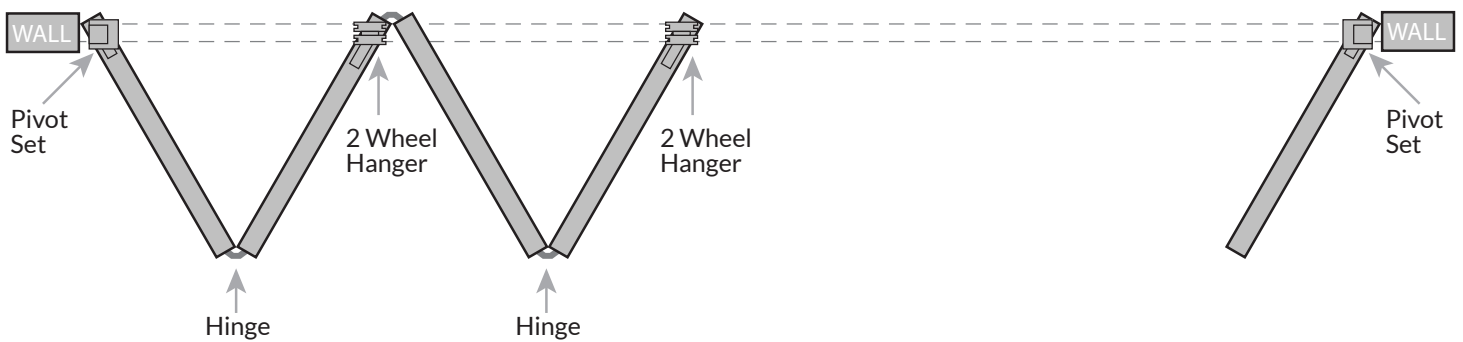


CLOSED

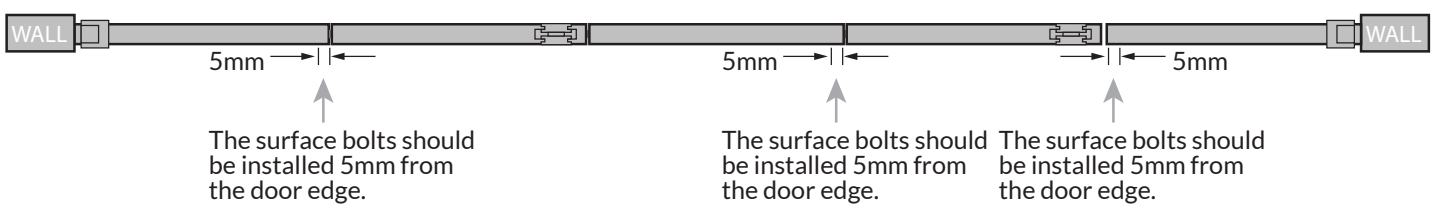


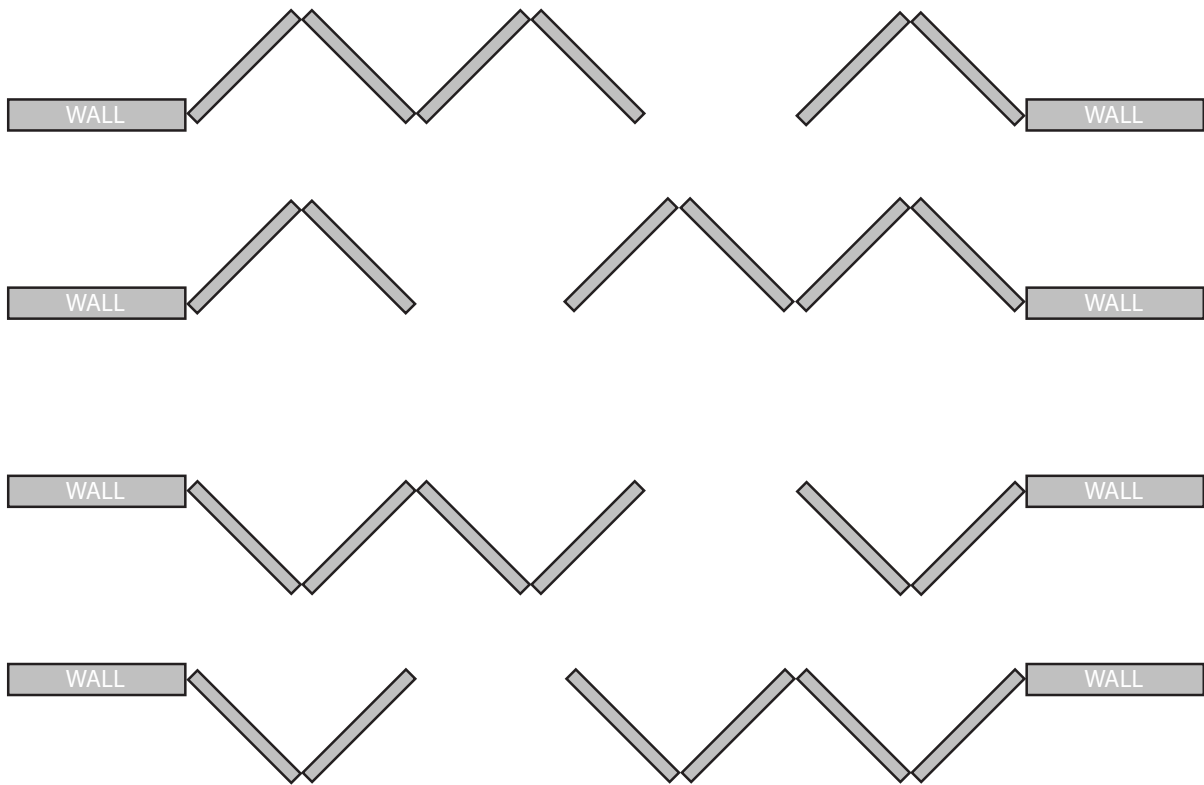


## SEMI-OPEN

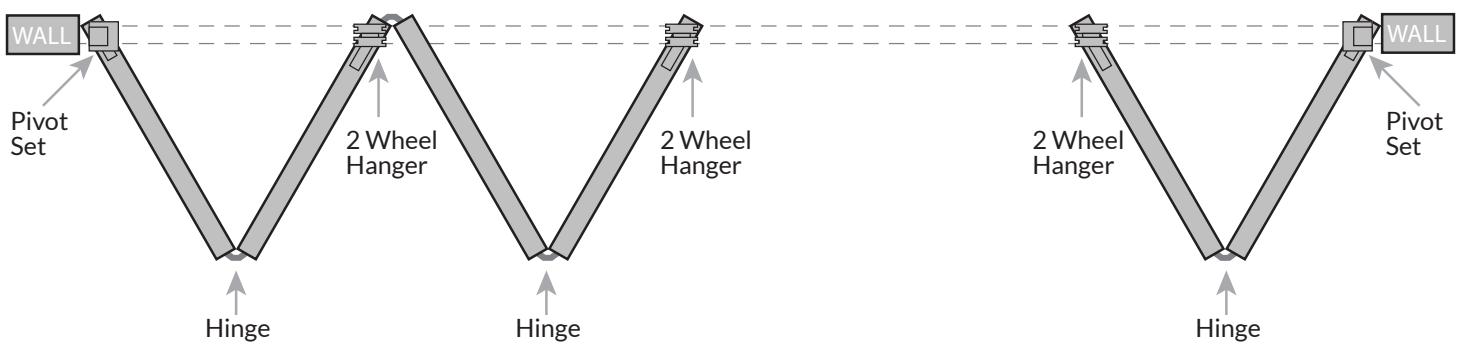


## CLOSED

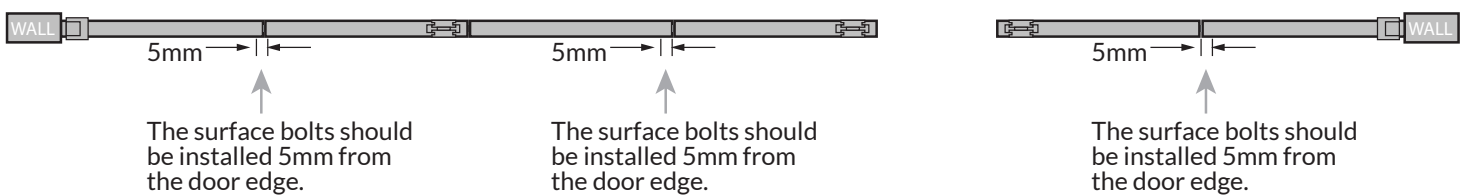


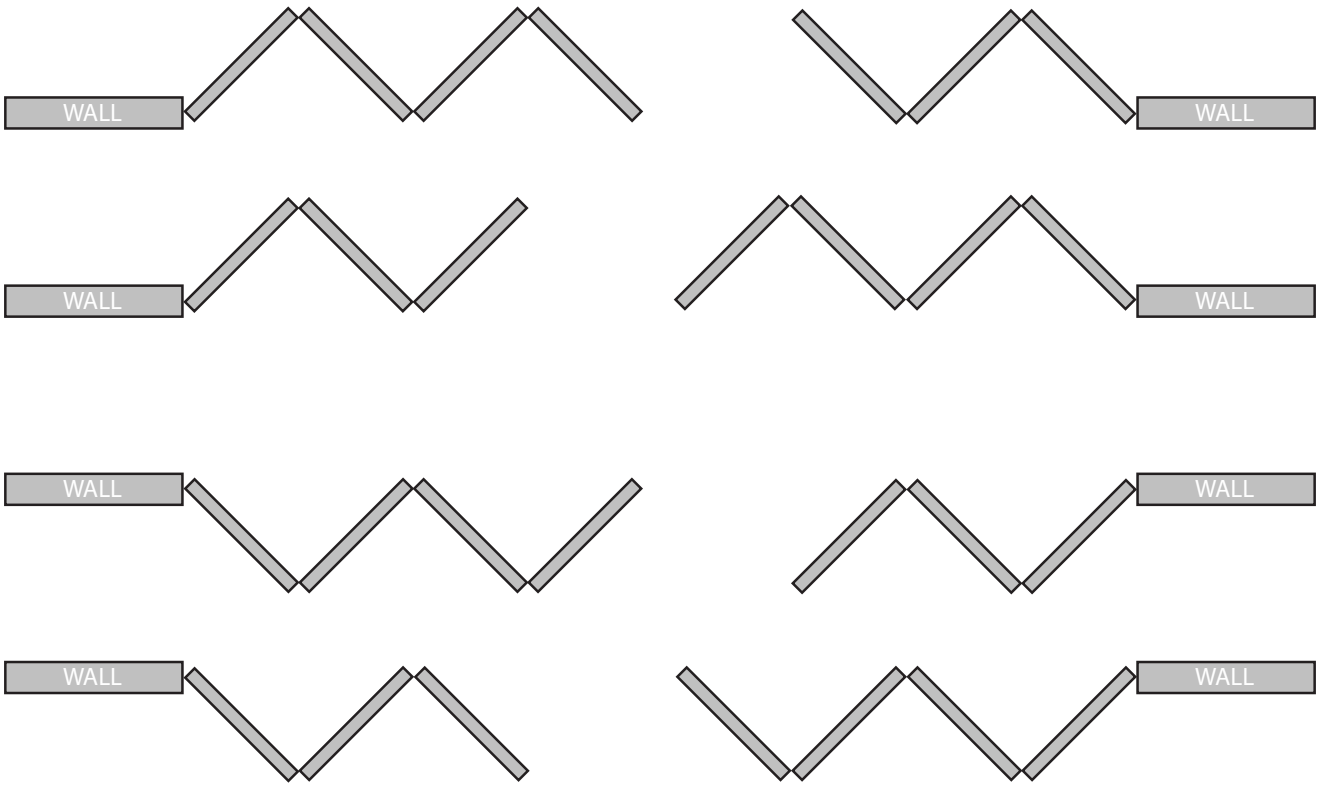


SEMI-OPEN

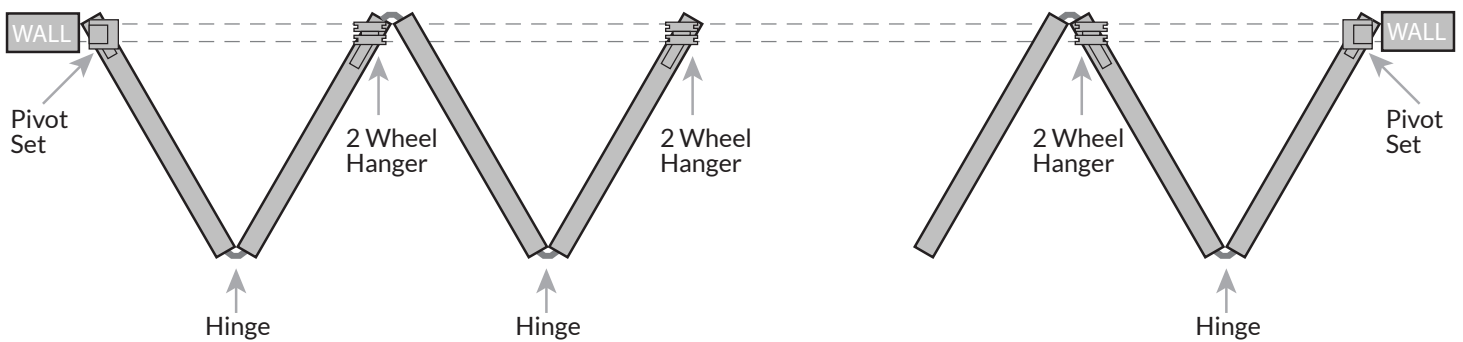


CLOSED

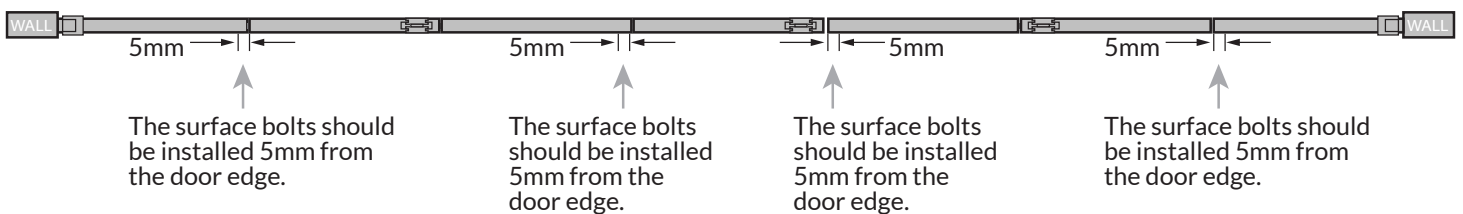




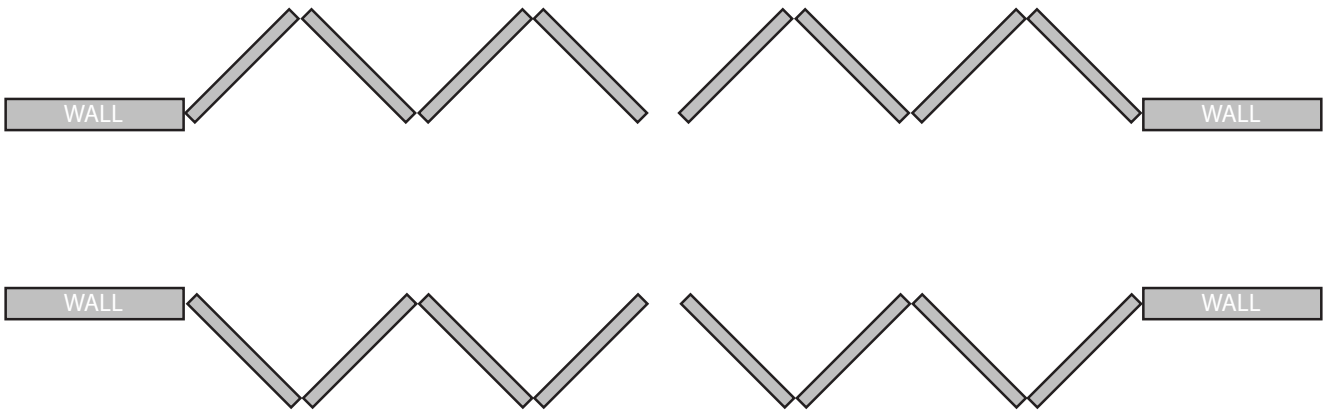
SEMI-OPEN



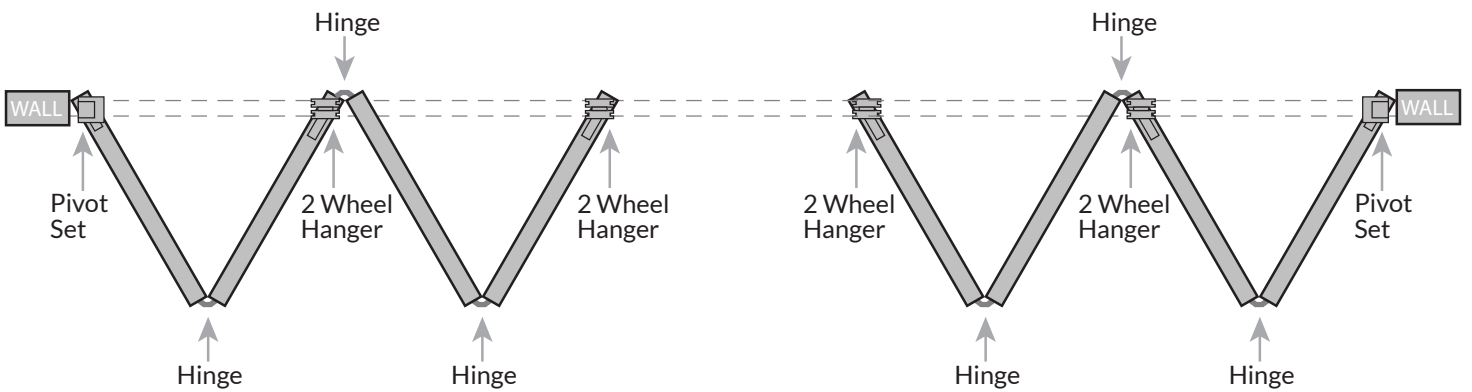
CLOSED



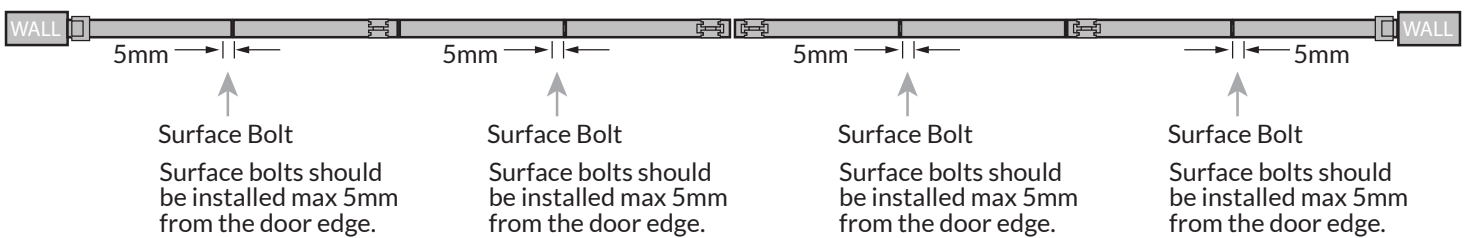




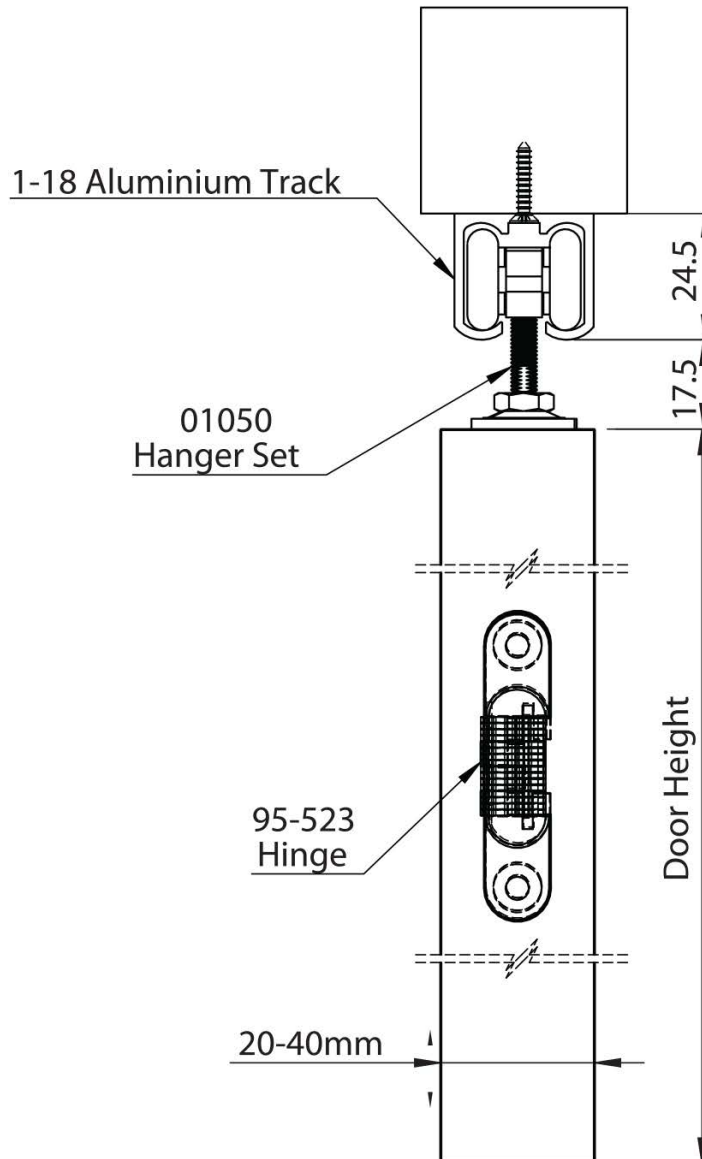
SEMI-OPEN



CLOSED

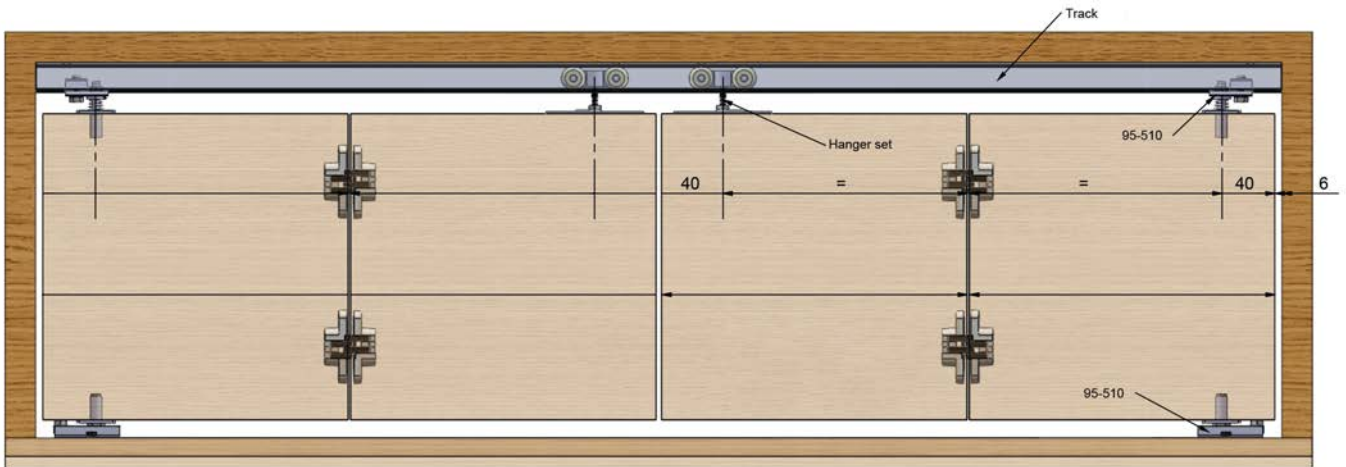


## SECTION THROUGH OPENING

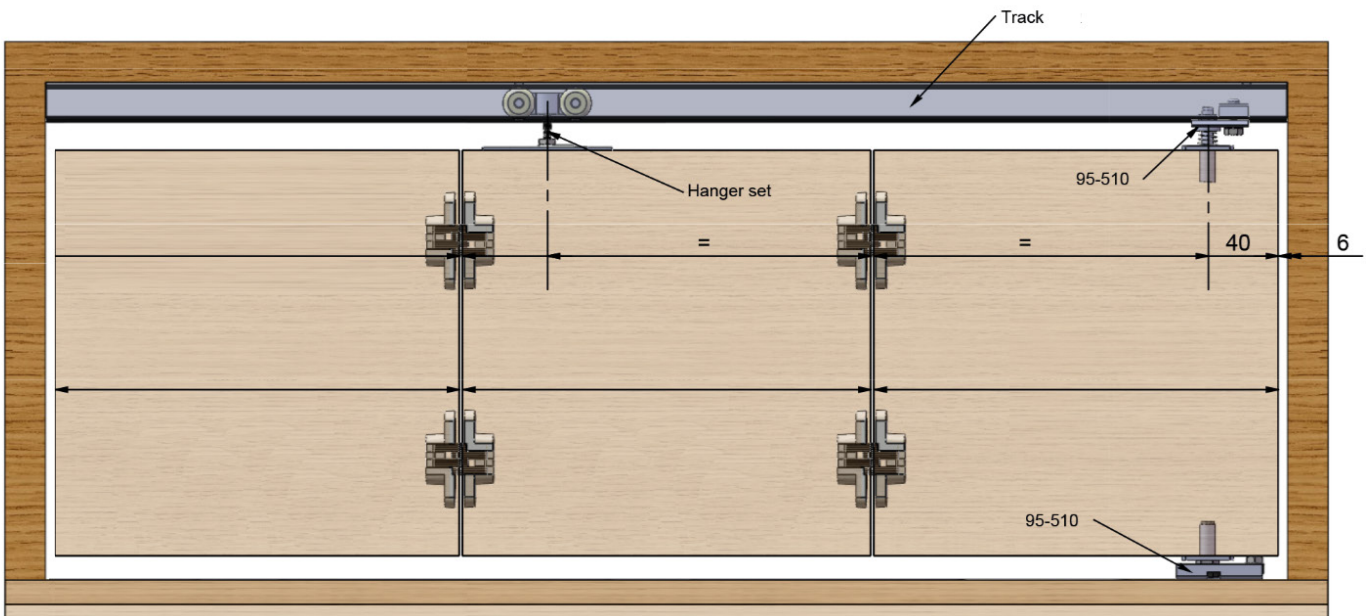


Maximum door weight: 22kg (odd leaf systems)  
 Maximum door weight: 30kg (even leaf systems)  
 Door thickness: 20-40mm  
 Maximum door width: 600mm  
 Maximum door height: 2500mm

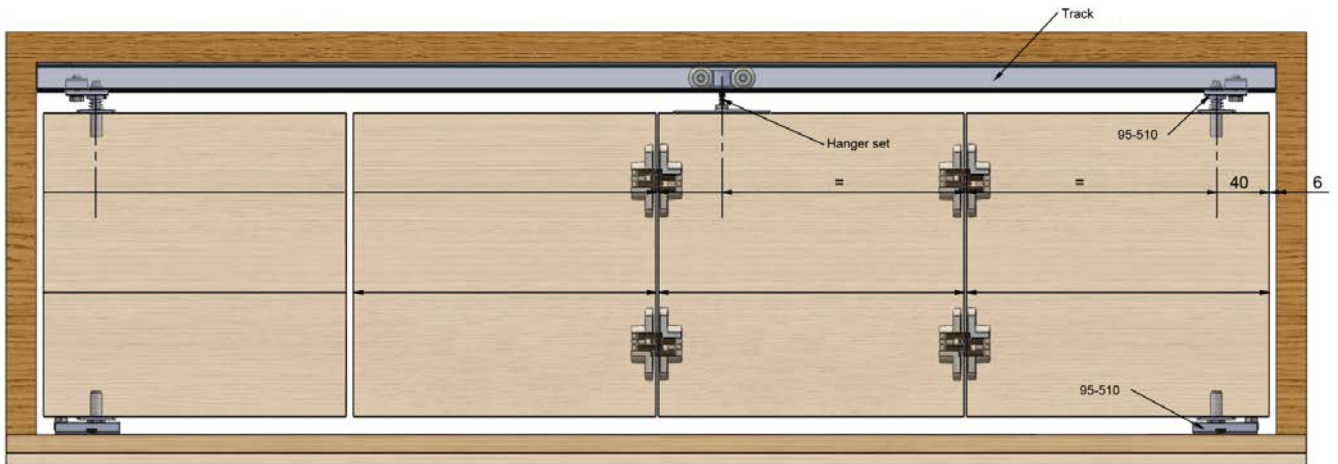
2+2



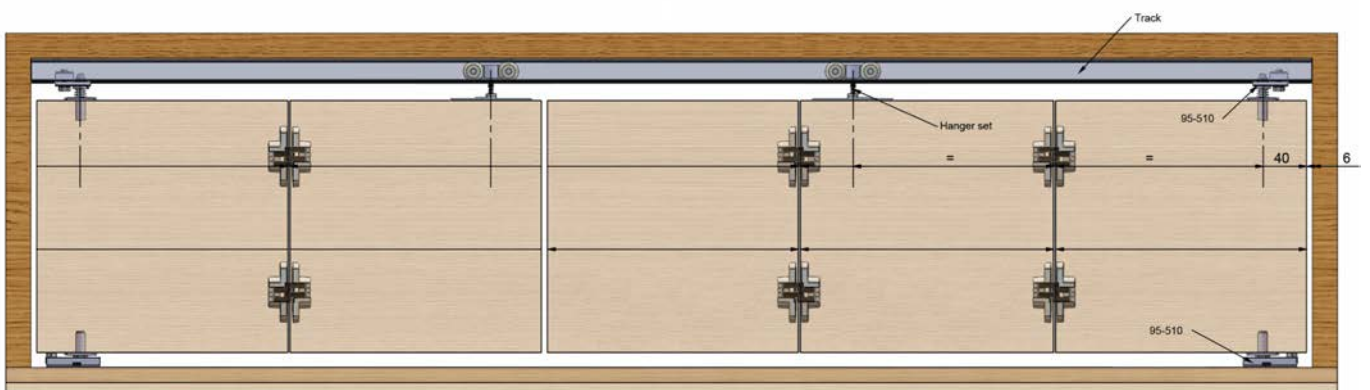
3+0



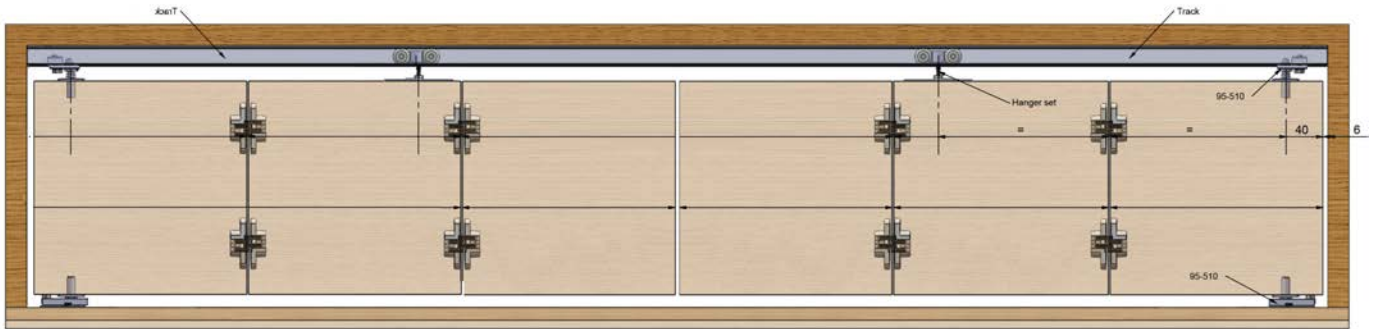
3+1



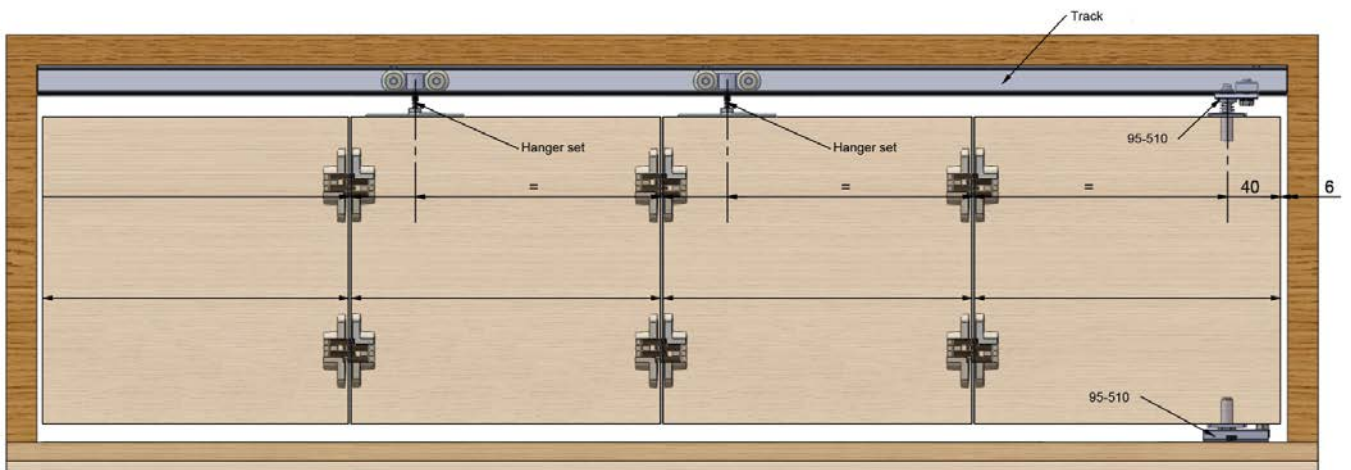
3+2



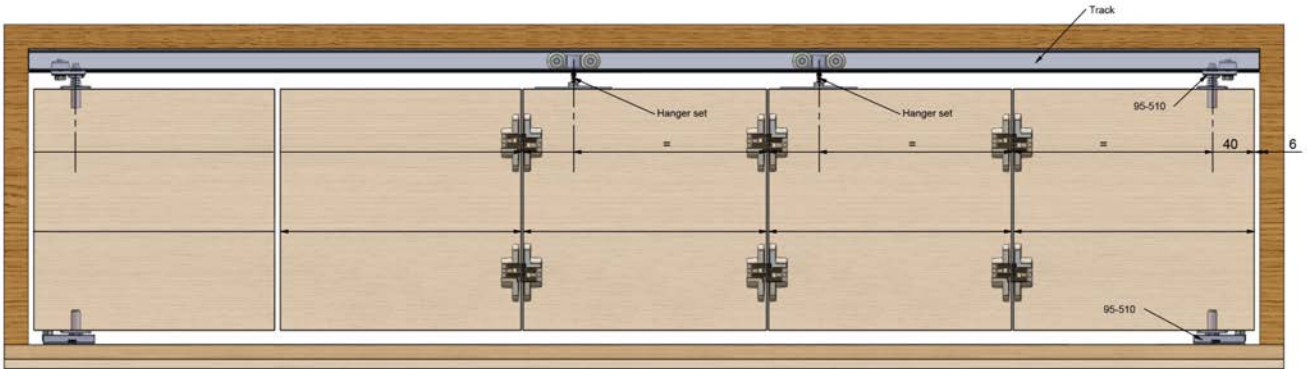
3+3



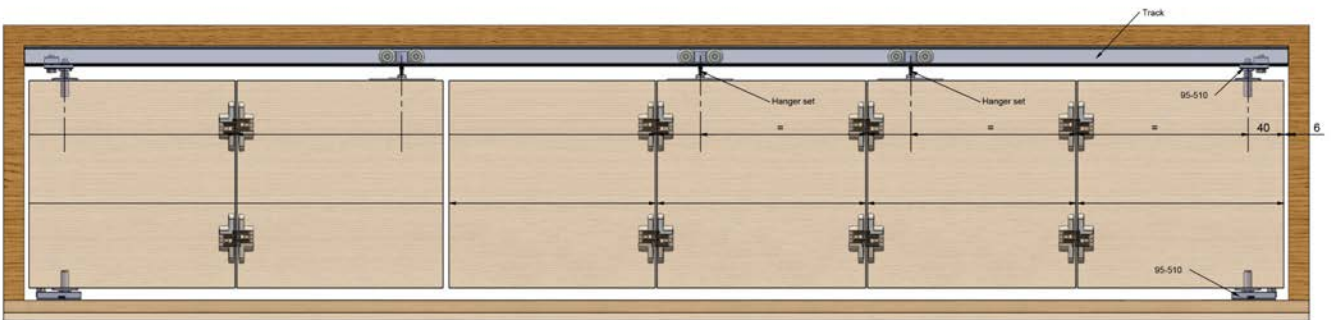
4+0



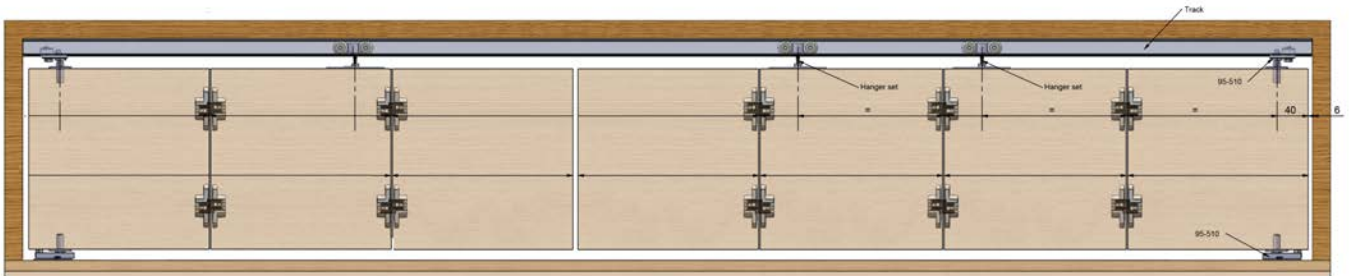
# 4+1



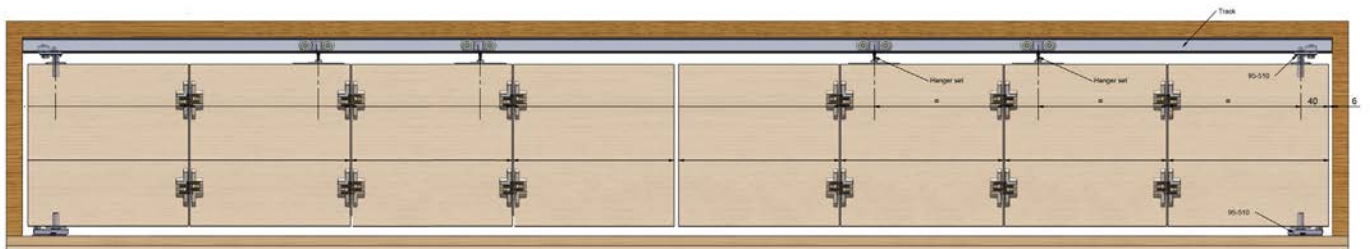
# 4+2



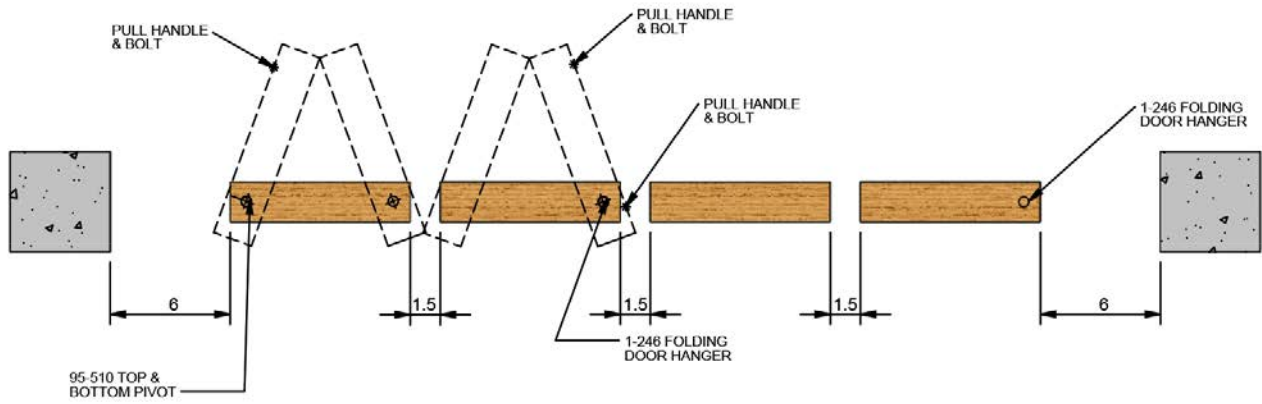
4+3



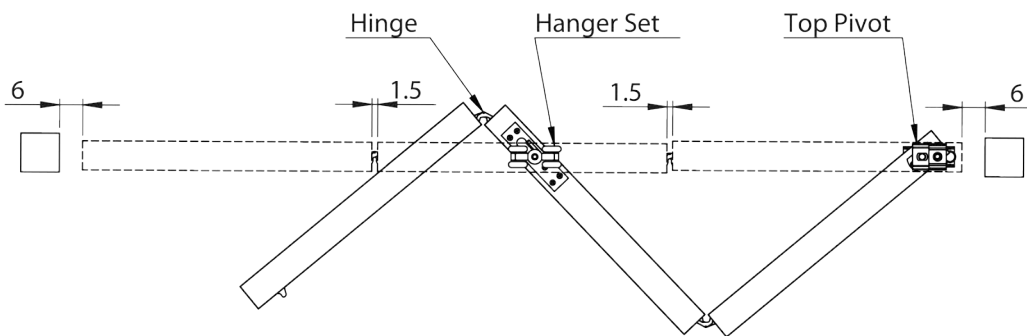
4+4



**No floor track or floor channel required for our offered configurations**

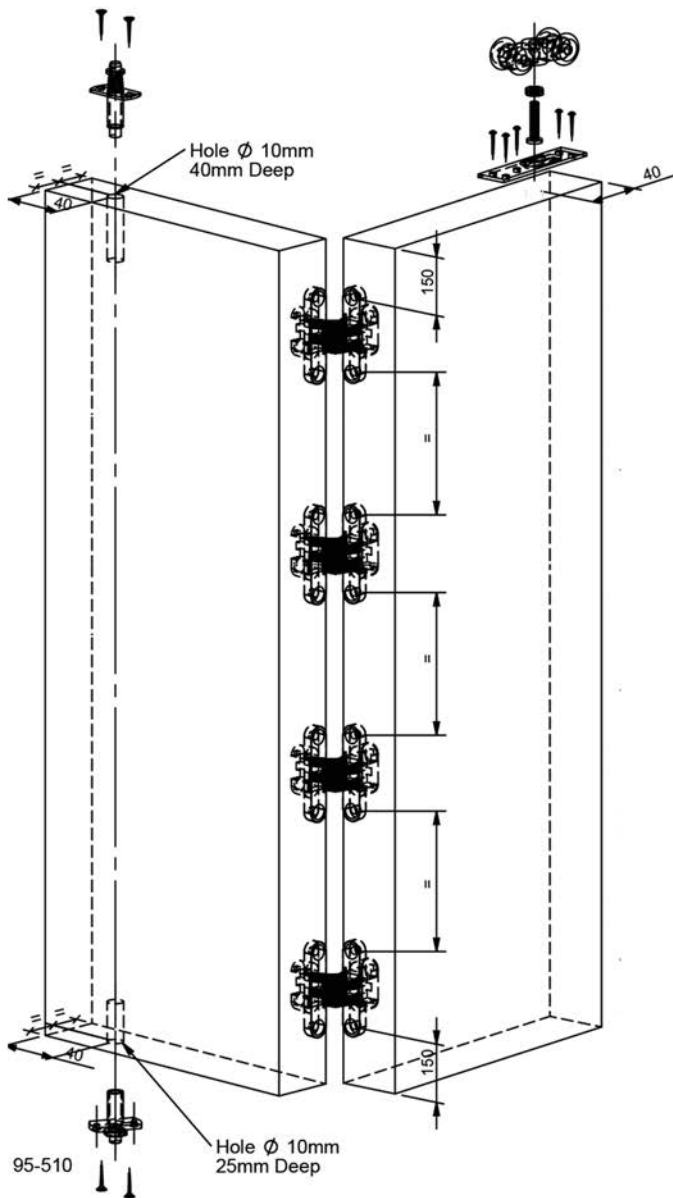


**CLEARANCES REQUIRED**  
(Example showing four leaves to one side)



**TOP VIEW**  
(Example showing three leaves to one side)





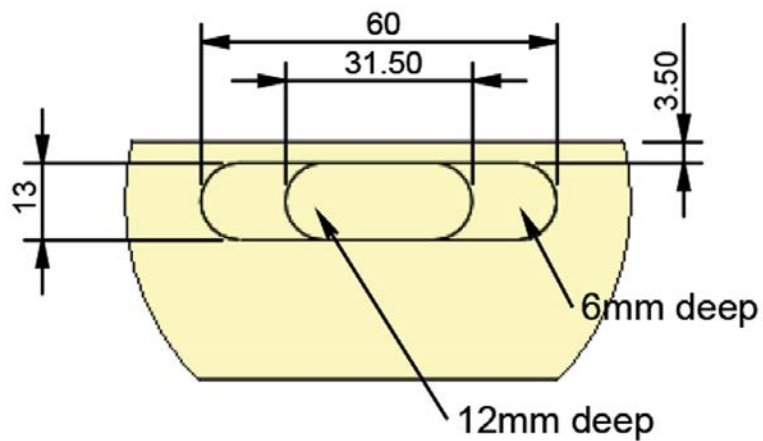
Drill 10mm  $\varnothing$  holes for fittings as shown, central on top of doors.

Fit top and bottom pivots into holes and screw in long wood screws.

Fit handger with door plate surface mounted.

Hinge doors together with 4 hinges per joint.

## HINGE CUT OUT



First drill  $\varnothing$  holes with pitch centres as shown on the table above for the different track lengths.

Fit track to wall with brackets and screws or directly through the track to the top support using suitable fixing.

Assemble top pivot as shown and enter end of track, securing bolt finger tight.

Locate top pivot centre line, 46mm from jamb, plumb down locate and fix bottom pivot to floor.

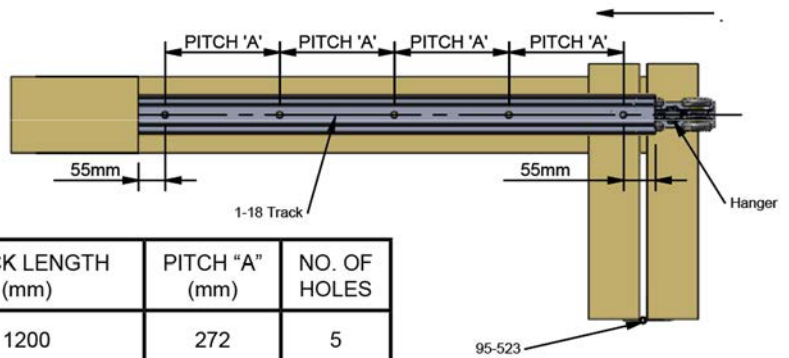
Carefully slide doors in a folded position into track from the opposite end of the pivot fixing.

Engage bottom door pivot into floor housing. Depress spring loaded top pivot and engage in bush in top housing.

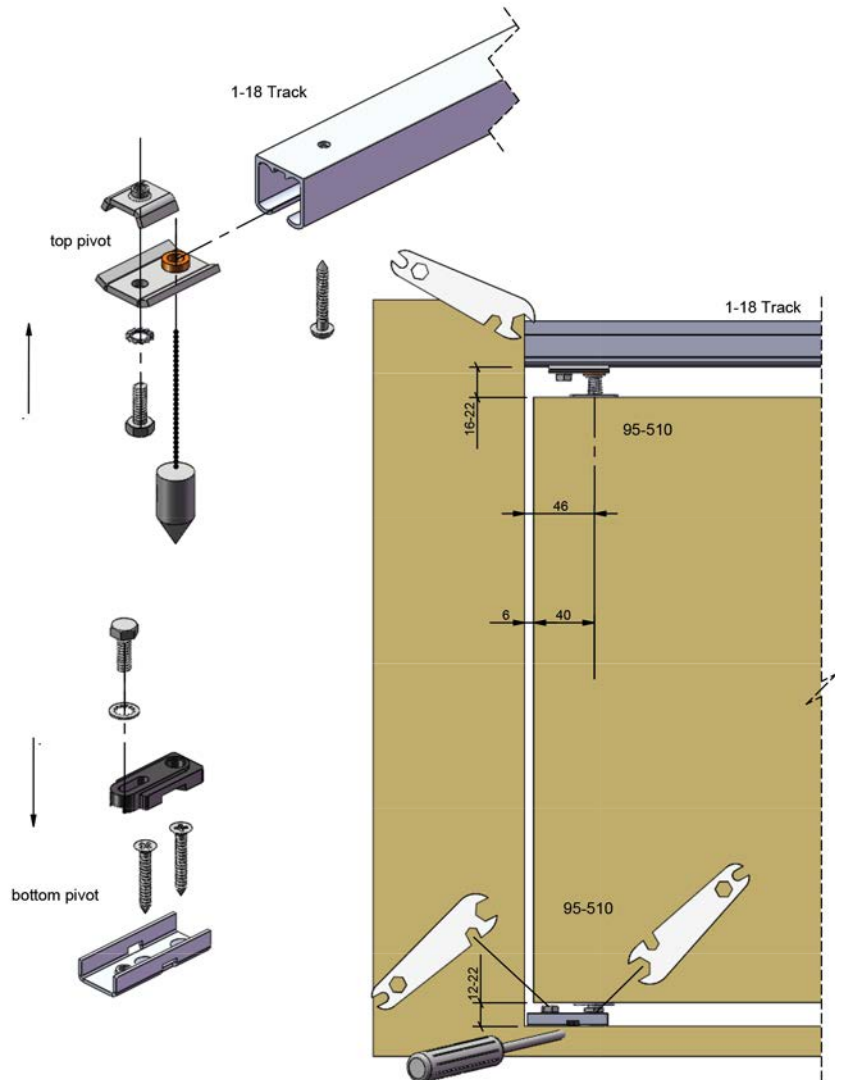
Adjust vertically and laterally, including handgers, and tighten and lock nuts. NB. lateral adjustment of bottom pivot is assisted by engaging screwdriver blade into side of housing.

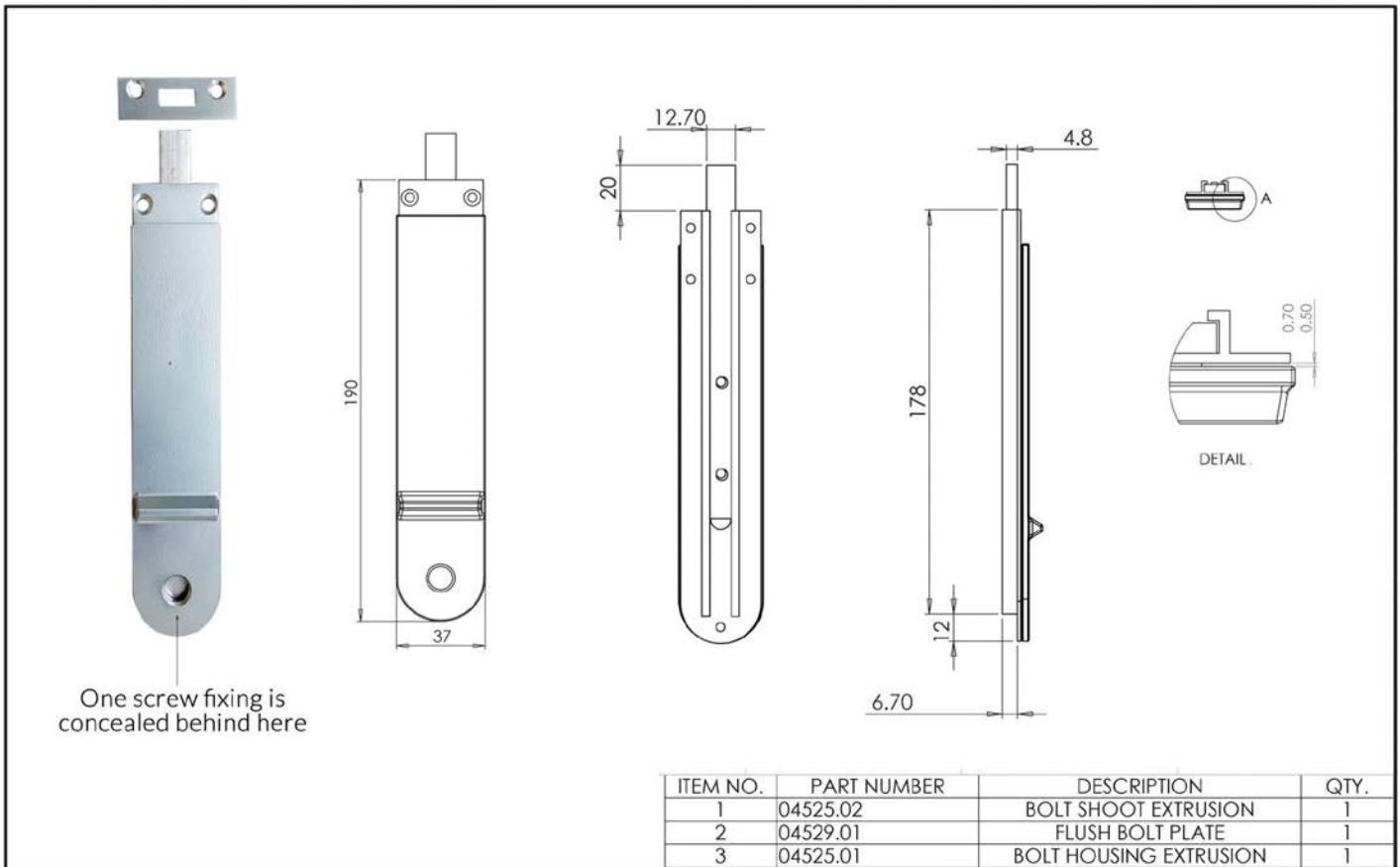
**NOTE:** When Installing four door system, slide the doors into the track hinged in pairs before connecting to make a four door set.

**Safety Advice:** Assistance in supporting doors makes locating in pivots easier and safer.



TRACK LENGTH (mm)	PITCH "A" (mm)	NO. OF HOLES
1200	272	5
1800	241	8
2400	229	11





## BOLT POSITIONING

### Bottom of Door Advice (Preffered Method):

When fitting bolts to the bottom of the door be aware that the floor will need a recess cut to accomodate the bolt keeper, wooden floors are the easiest to recess, other floors depending on the floor type may need to obtain rawl plugs and desision whether to recess the bolt keeper or fit it on the surface of the floor.

### TOP OF DOOR ADVICE:

When fitting bolts to the top of the door be aware that the top channel will need drilling to for a keeper aperture in the top track.

Additionally, using the supplied bolt keeper will require screw holes, any surface fixed keeper should then be fitted, removed and the thread cut so that the screws do not project into the track channel when the screws are refitted - leaving the screws at their full lenght will damage the running gear when in operation.

Please note: the rails and stiles are 55mm, do not drill any more 30mm from the edge of the door.

## HOLDBACK CATCH POSITION

