

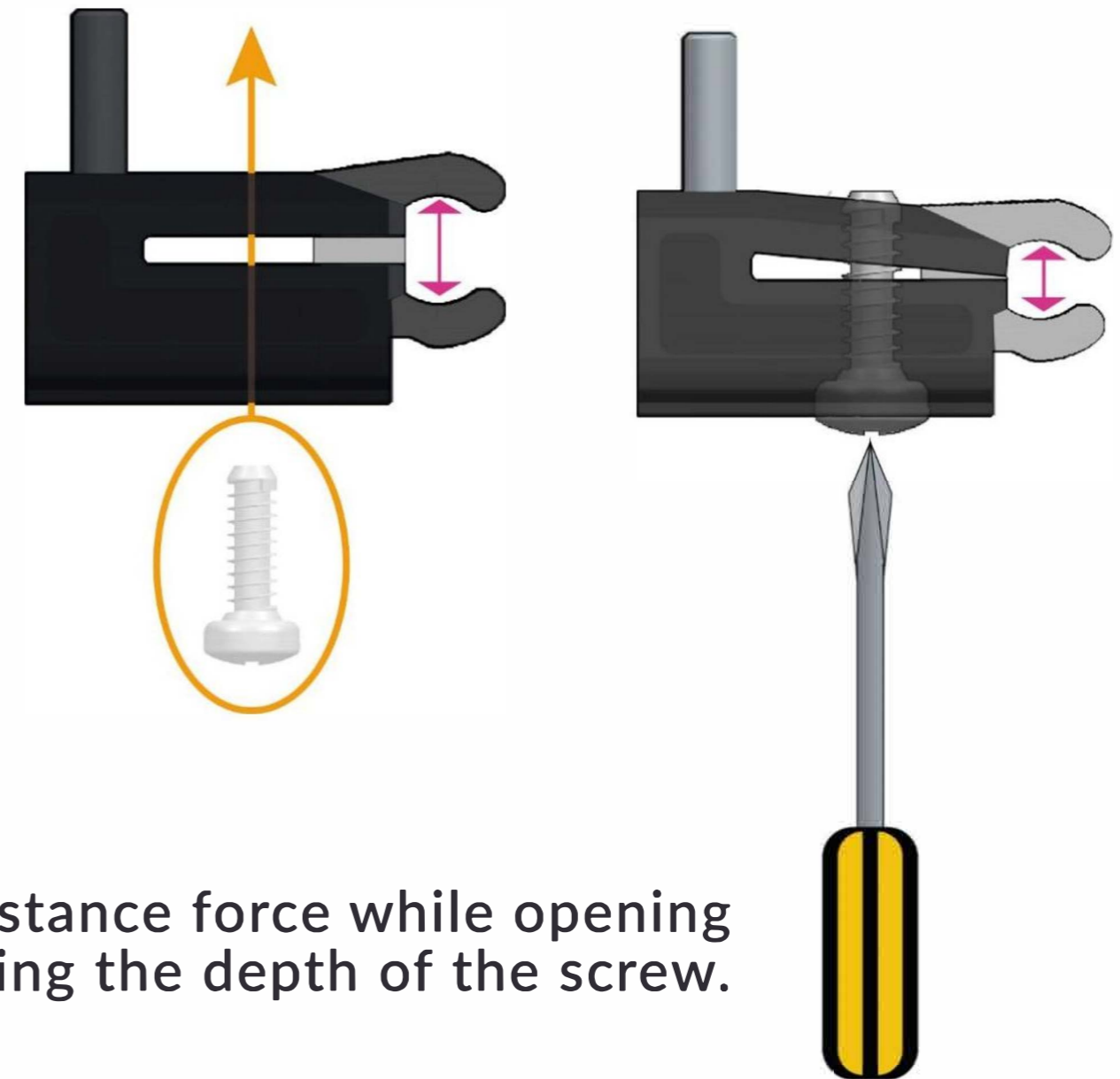
# ADJUSTABLE DOOR STOP

for pocket door system

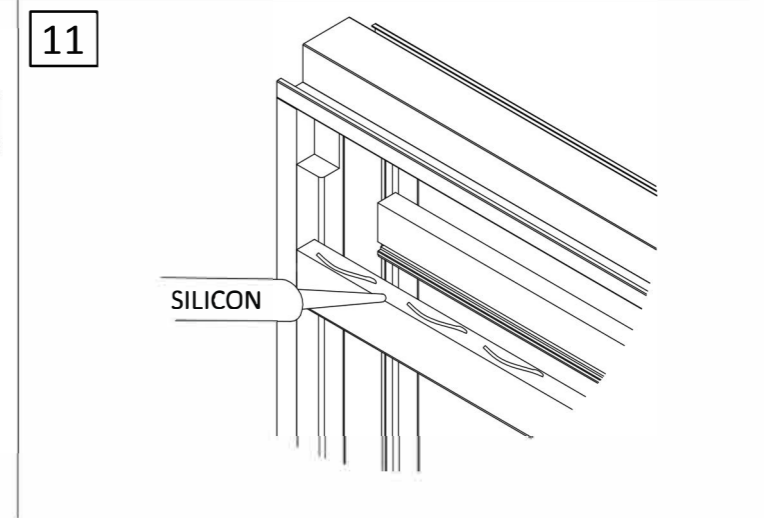
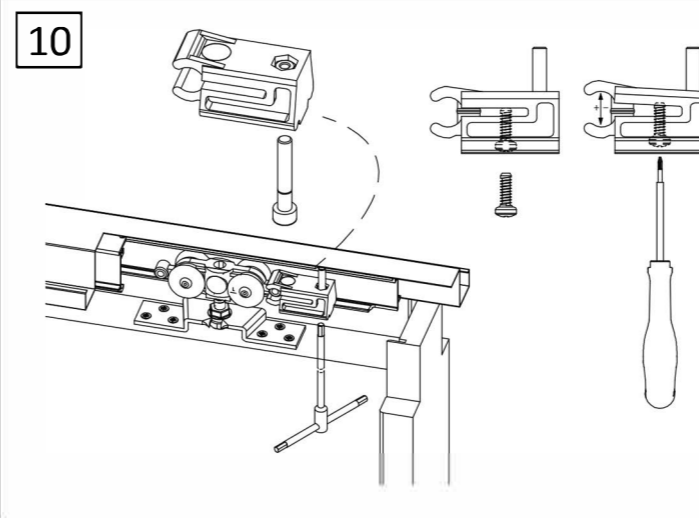
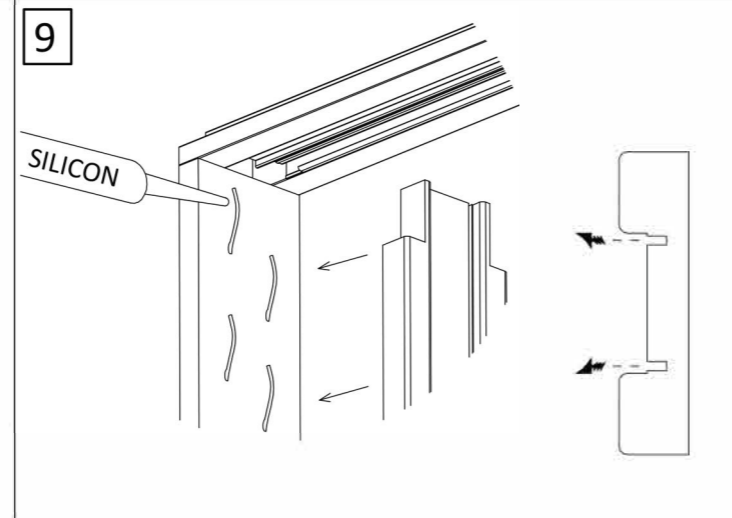
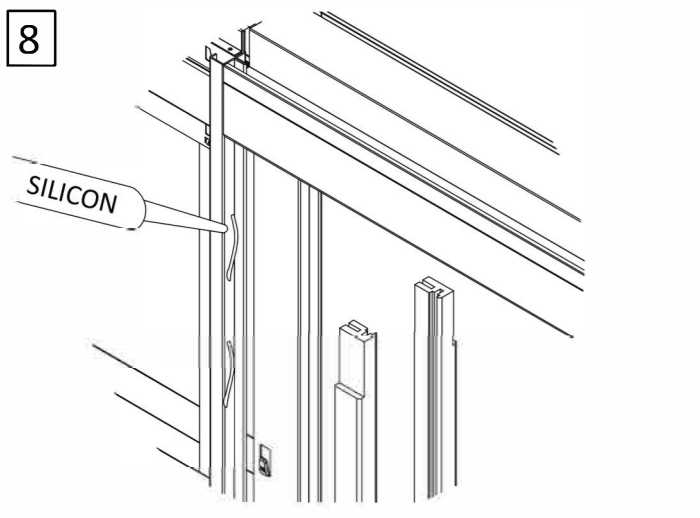
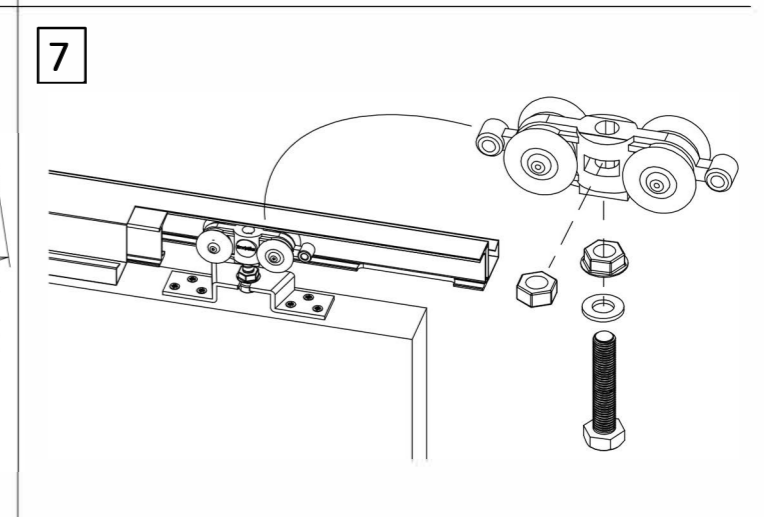
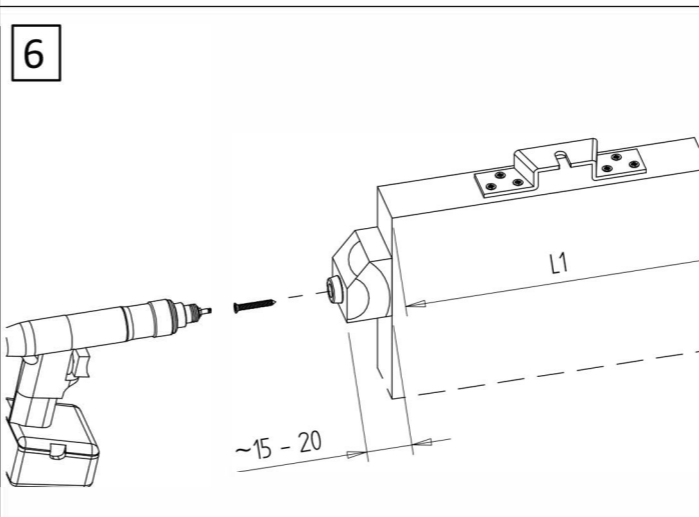
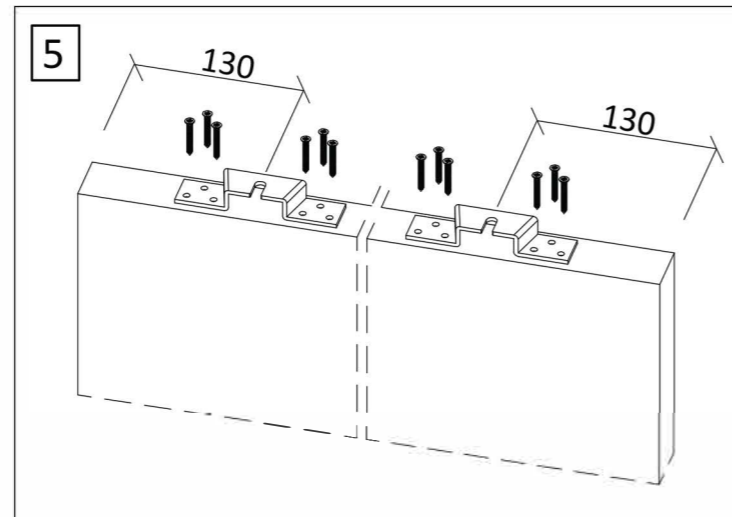
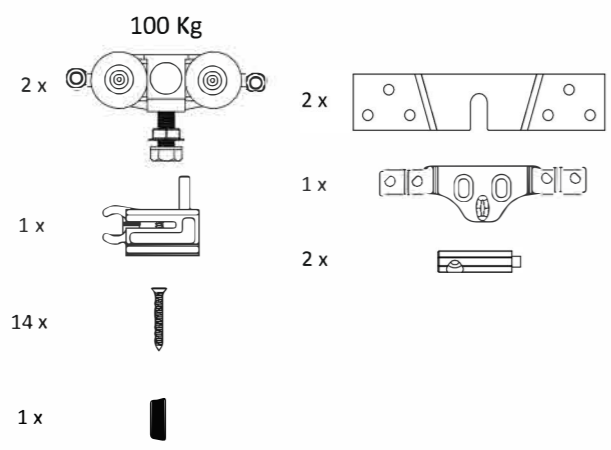
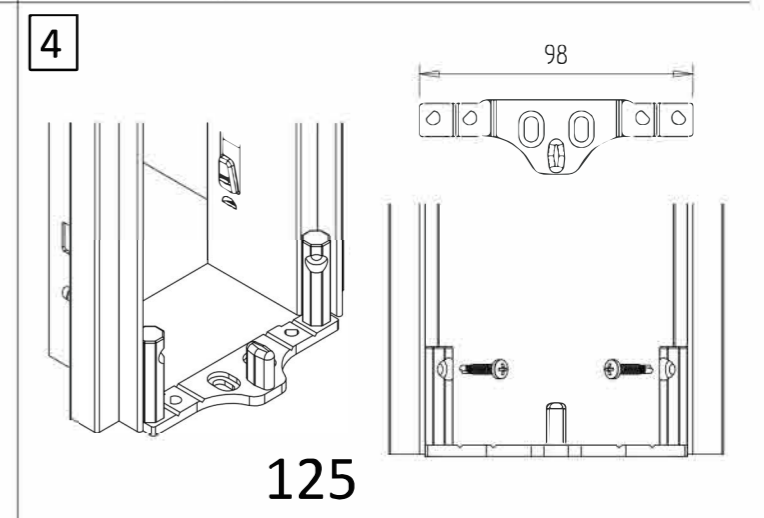
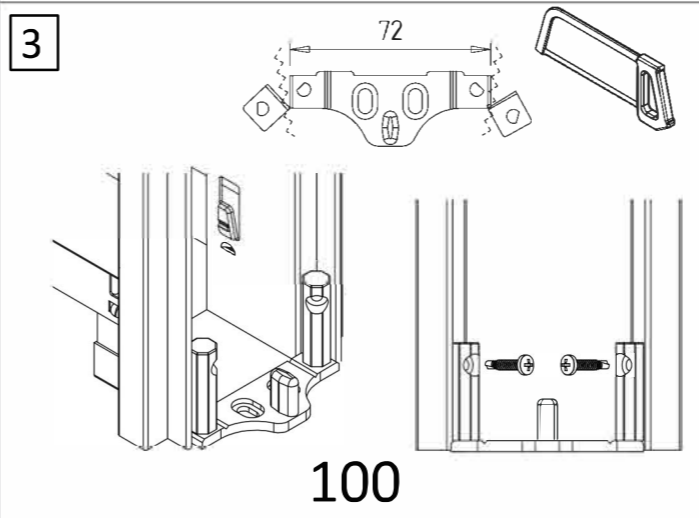
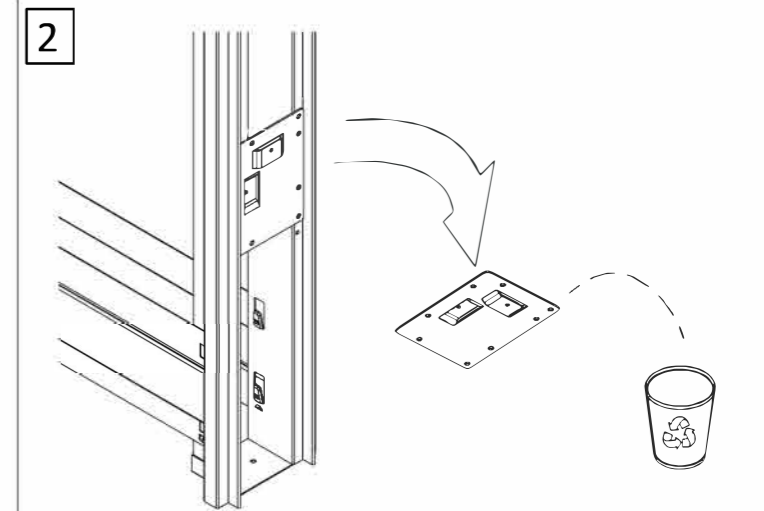
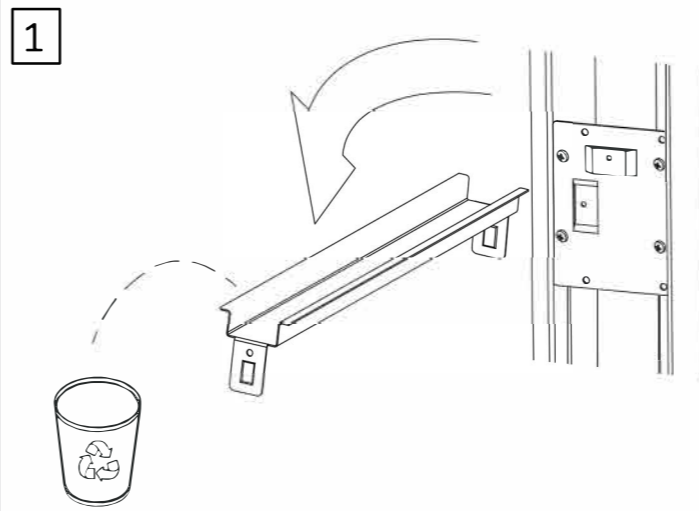
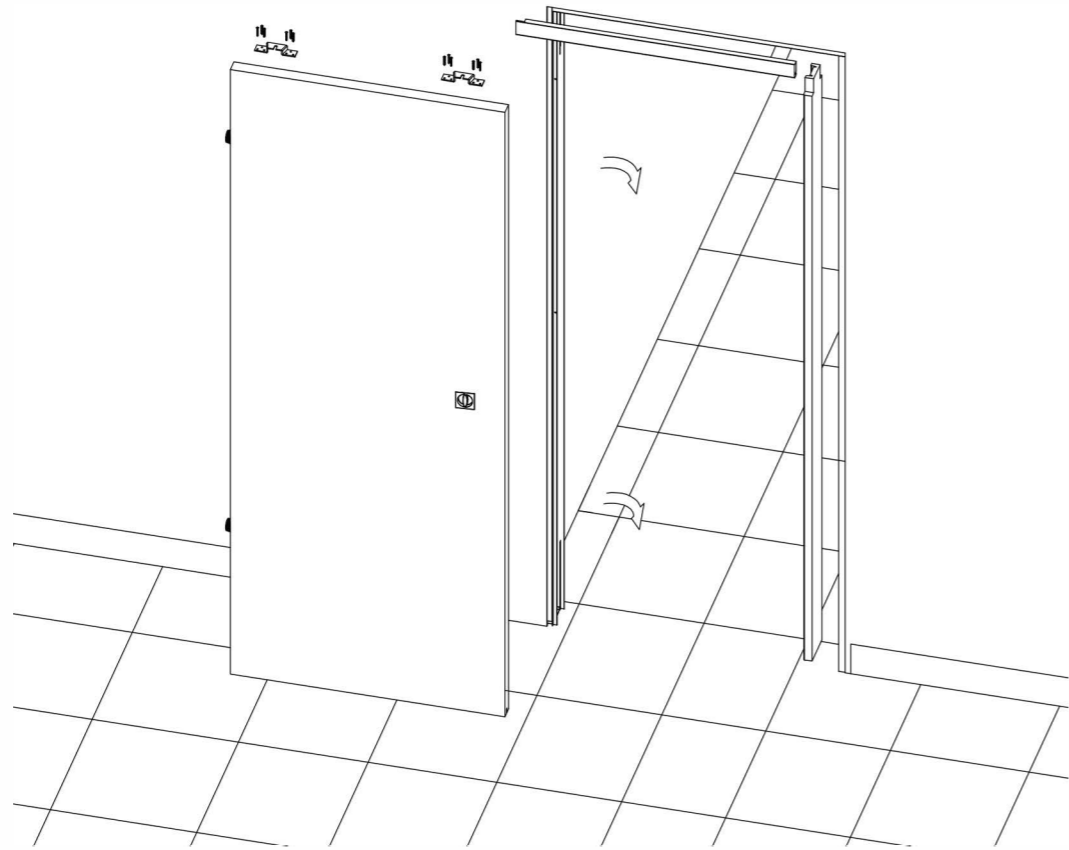


This door stop cannot be used with a soft-closer mechanism

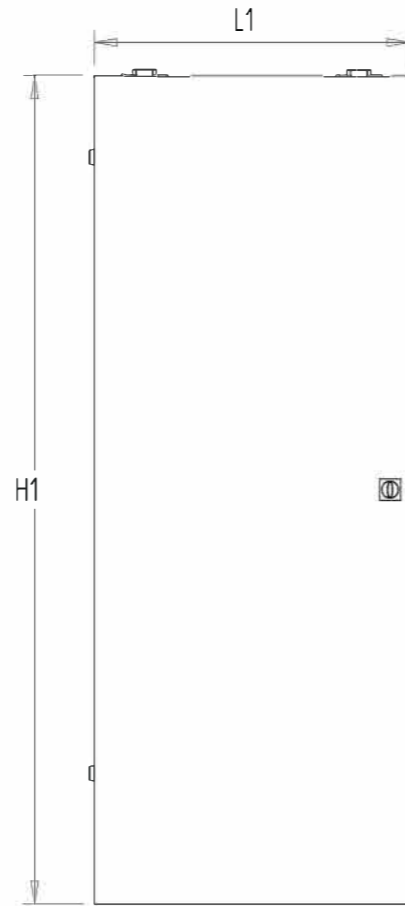
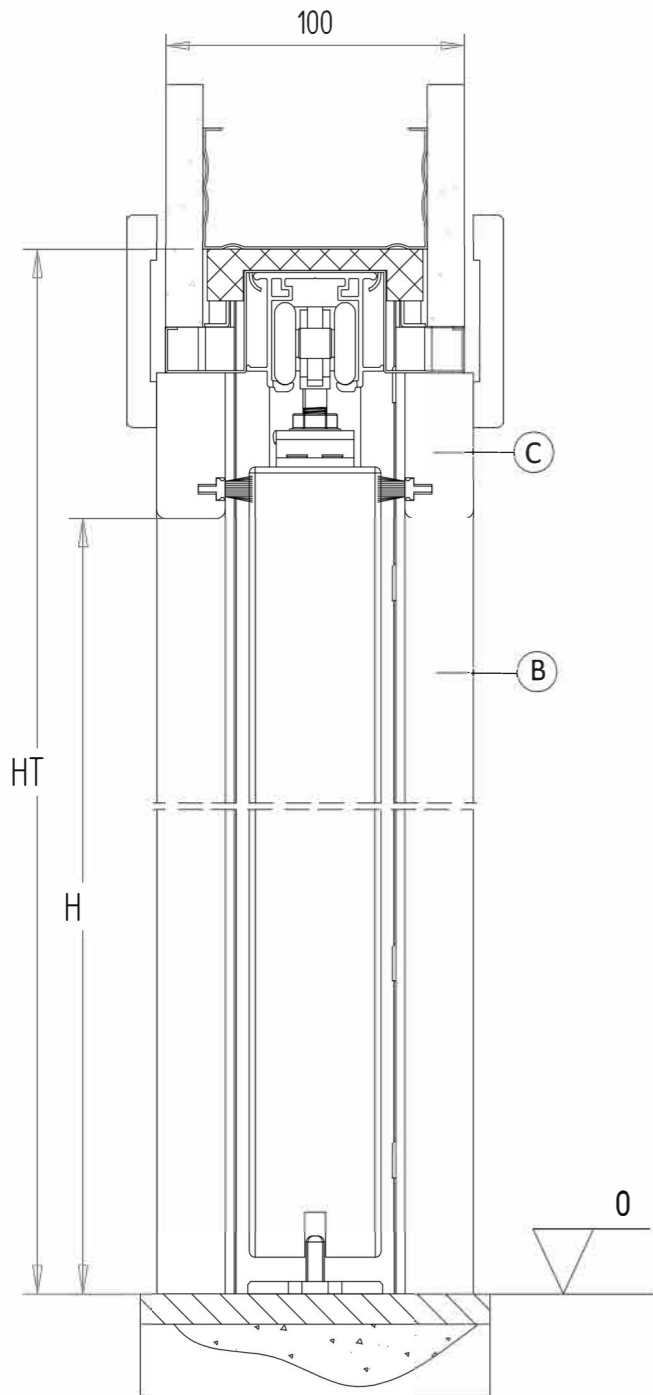
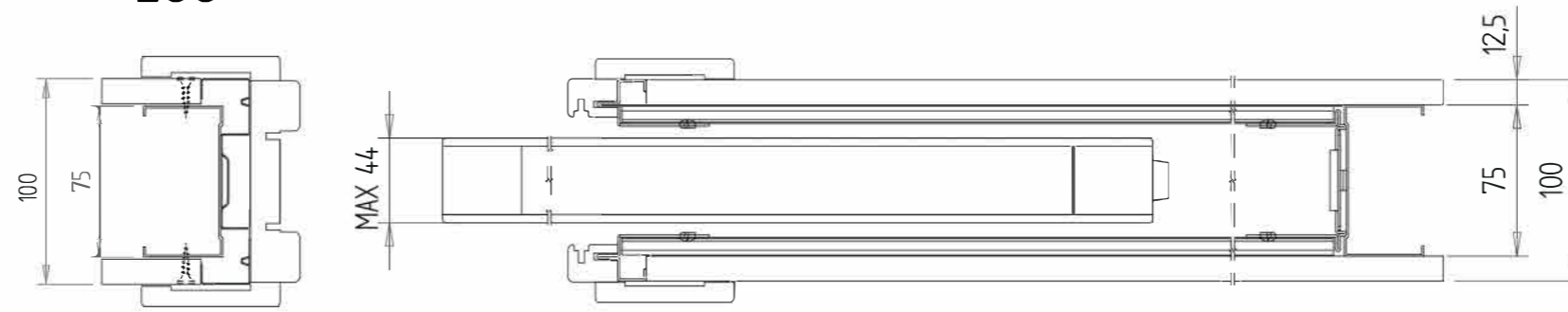
The stop is intended for heavier doors and doors to a children's bedroom.



You can modify the resistance force while opening the doors by adjusting the depth of the screw.



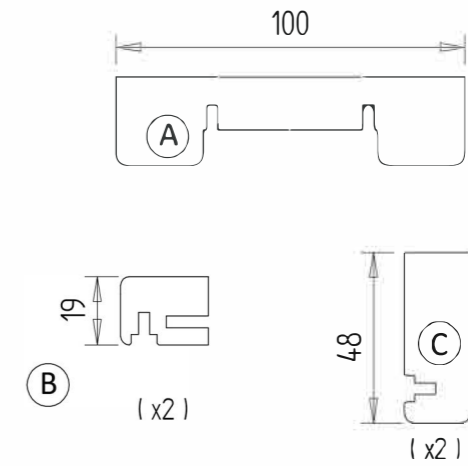
100



Single Door L X H (mm)	Door dimensions L1 X H1 (mm)
600 X 2030	626 X 2040
700 X 2030	726 X 2040
800 X 2030	826 X 2040
900 X 2030	926 X 2040
1000 X 2030	1026 X 2040

Single Door L X H (mm)	Door dimensions L1 X H1 (mm)
580 X 1970	610x1981
660 X 1970	686x1981
740 X 1970	762x1981
890 X 1970	914x1981

100



plasterboard		
wall/closing	s.l.	Th
100	54	44

