

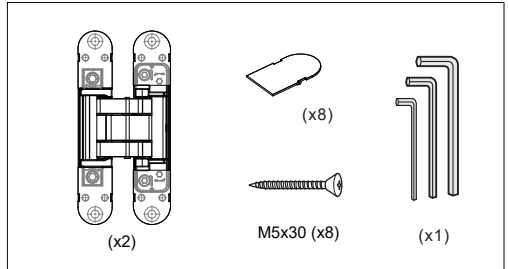
3D ADJUSTABLE CONCEALED HINGE INSTALLATION MANUAL



NOTE

1. This product is designed for indoor use only and should not be used in areas where it may come in direct contact with water.
2. To ensure proper usage, please check with the manufacturer in advance if you plan to use it with a door closer.
3. Warped or deformed doors will prevent the door from closing properly.
4. It is necessary to check the screw regularly to ensure that it is fixed securely.

COMPONENT LIST



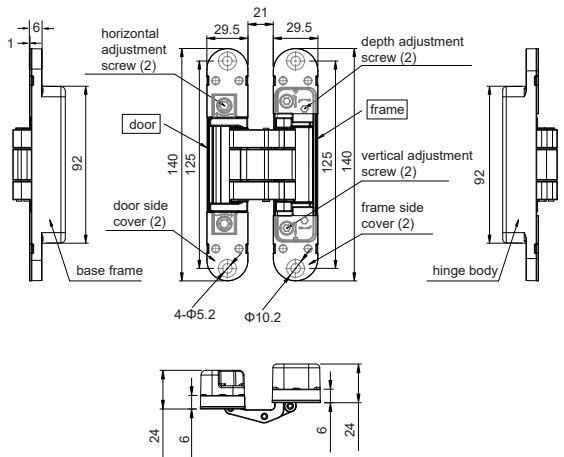
DOOR SPECIFICATIONS

Max. Door Weight	60kg (2pcs)
Door Thickness	35-50mm
Max. Door Width	≤ 900mm
Max. Door Height	≤ 2100mm

ADJUSTMENT

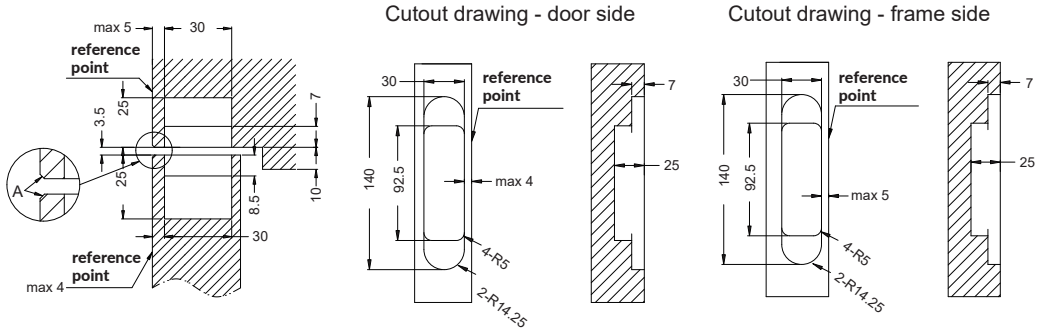
Vertical	± 2.5mm
Horizontal	± 2.0mm
Depth	± 1.0mm

HINGE PARTS

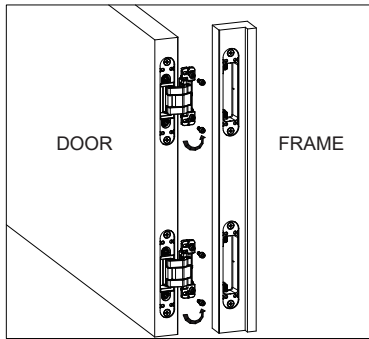


CUT OUT DRAWING

NOTE: The edge of door and frame need to be applied with C1 or R1 processes (radius/round corners) (Refer to "A" in the first drawing below)



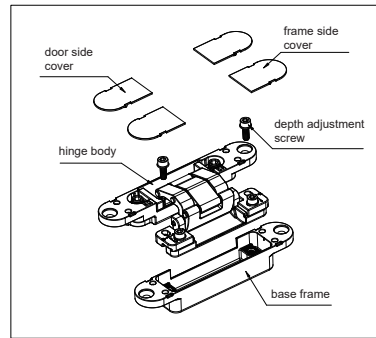
B. INSTALLATION



INSTALLATION STEPS

1. Refer to figure "C. HINGE DETAIL ", remove the cover, and separate the base from the hinge.
2. Install the base parts into the cutout position.
3. Install the door side parts into the cutout position.
4. Refer to figure "B.INSTALLATION", temporarily hang the door by inserting both the upper and lower hinges into the upper and lower base frames at the same time.
5. Ensure that all screws are tightened securely after installation.

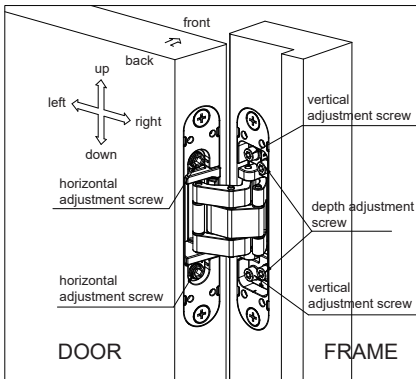
C. HINGE DETAIL



NOTES TO INSTALLATION

1. Make sure the base frame is set firmly in the proper direction before installing into the cut out of the frame.
2. Do not open or close the door with excessive force, as it may cause the door to fall down.

D. ADJUSTMENT



ADJUSTMENT STEPS

1. Vertical adjustment

Loosen the vertical adjustment screw one turn using an allen key to make the necessary adjustments. Once the door is at the proper height, tighten the screws.

2. Depth adjustment

Loosen the depth adjustment screw one turn using an allen key to make the necessary adjustments. Once the door is in the proper position, tighten the screw.

NOTES

1. Recommended fastening force for vertical and depth adjustment is 3 N.m (30.6 kgf.cm).
2. To prevent the door from falling, do not remove the vertical adjustment screws.

3. Horizontal adjustment

To widen the gap between the door and frame, turn the horizontal adjustment screw clockwise. To narrow the gap, turn the screw counterclockwise.

NOTES

1. Gently adjust the horizontal adjustment screws for the upper and lower hinge at the same time. Do not force the turning of the screws.
2. Do not loosen the horizontal adjustment screws more than 2mm in a clockwise direction as it may cause the door to fall down.

4. Finally install four covers

NOTES

1. Do not handle the covers with excessive force as they may break.