

# CDP-557ESD/707ESD

## SERVICE MANUAL

US Model  
Canadian Model

CDP-707ESD

AEP Model  
UK Model

E Model  
CDP-557ESD

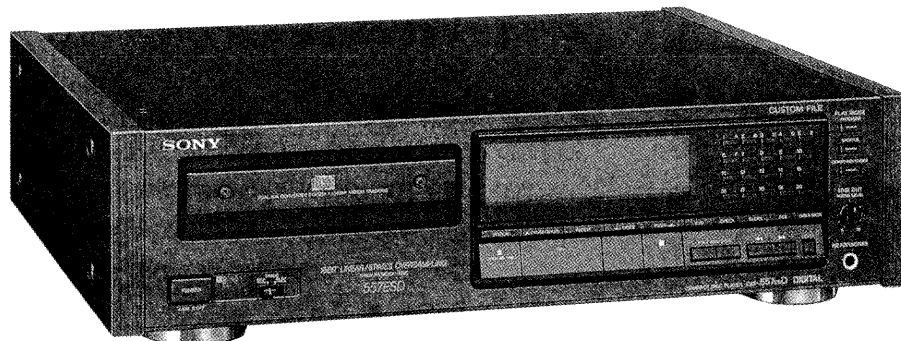


Photo: CDP-557ESD

### SPECIFICATIONS

#### Compact disc player

System	Compact disc digital audio system
Laser	Semiconductor laser ( $\lambda = 780 \text{ nm}$ )
Emission duration	Continuous
Laser output	less than $44.6 \mu\text{W}$ * This output is the value measured at a distance of 200 mm from the objective lens surface on the Optical Pick-up Block.
Frequency response	CDP-557ESD: 2 Hz – 20 kHz $\pm 0.5 \text{ dB}$ CDP-707ESD: 2 Hz – 20 kHz $\pm 0.3 \text{ dB}$
Signal to noise ratio	More than 115 dB
Dynamic range	More than 100 dB
Harmonic distortion	Less than 0.0015%
Wow and flutter	Below measurable limit
Channel separation	More than 110 dB

#### Outputs

LINE OUT (FIXED) (phono jacks)	Output level 2 V (at 50 kilohms) Load impedance over 10 kilohms Output impedance 200 ohms
LINE OUT (VARIABLE) (phono jacks)	Output level max. 2 V (at 50 kilohms) Load impedance over 50 kilohms  Output impedance 200 ohms – 5.1 kilohms
DIGITAL OUT (COAXIAL) (phono jacks)	Output level 0.5 V <sub>p-p</sub> (at 75 ohms) Load impedance 75 ohms
DIGITAL OUT (OPTICAL) (optical output connector)	Wave length 660 nm Output level $-18 \text{ dBm}$
HEADPHONES (stereo phone jack)	Output level max. 28 mW Load impedance 32 ohms

#### CAUTION

Use of controls or adjustments or performance of procedures other than those specified herein may result in hazardous radiation exposure.

COMPACT DISC PLAYER  
**SONY**<sup>®</sup>




## General

Power requirements	AEP Model: 220 V AC (or 240 V AC adjustable by Sony personnel), 50/60 Hz Model for the United King 240 V AC (or 220 V AC adjustable by Sony personnel), 50 Hz US, Canadian Model: (CDP-707ESD) 120 V AC, 60 Hz
Power consumption	22 W
Dimensions (approx.)	CDP-557ESD (UK Model)  430 × 125 × 375 mm (w/h/d) (17 × 5 × 14 <sup>5</sup> / <sub>8</sub> inches) CDP-707ESD/ CDP-557ESD (AEP Model)  470 × 125 × 375 mm (w/h/d) (18 <sup>5</sup> / <sub>8</sub> × 5 × 14 <sup>5</sup> / <sub>8</sub> inches)  including projecting parts and controls
Weight (approx.)	CDP-557ESD (UK Model)  17 kg (37 lbs 8 oz) CDP-707ESD/ CDP-557ESD (AEP Model)  18 kg (39 lbs 11 oz)

## Supplied accessories

Audio signal connecting cord	1 (2 phono plugs—2 phono plugs)
Remote commander	1
Sony SUM-3 (NS) batteries	2
Screw driver	1

### SAFETY-RELATED COMPONENT WARNING!!

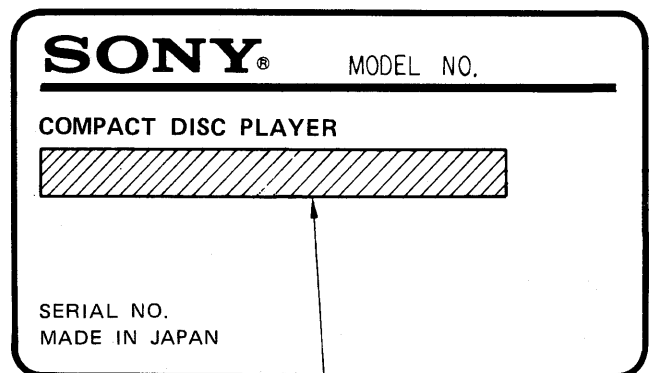
COMPONENTS IDENTIFIED BY SHADING AND MARK  ON THE SCHEMATIC DIAGRAMS AND IN THE PARTS LIST ARE CRITICAL TO SAFE OPERATION. REPLACE THESE COMPONENTS WITH SONY PARTS WHOSE PART NUMBERS APPEAR AS SHOWN IN THIS MANUAL OR IN SUPPLEMENTS PUBLISHED BY SONY.

## Remote commander

Remote control system	Infrared control
Power requirements	3V DC with two R6 (size AA) batteries
Dimensions	Approx. 62 × 20 × 168.5 mm (w/h/d) (2 <sup>1</sup> / <sub>2</sub> × 1 <sup>3</sup> / <sub>16</sub> × 6 <sup>3</sup> / <sub>4</sub> inches)
Weight	Approx. 130 g (5 oz) including batteries

## MODEL IDENTIFICATION

— Specification Labels —



US, Canadian model: AC: 120 V ~ 60 Hz 22 W  
AEP, E model: AC: 220 V ~ 50/60 Hz 22 W  
UK model: AC: 240 V ~ 50/60 Hz 22 W

## Features

### Custom file function

- **Disc memo function** for writing a comment about a disc.
- **Program bank function** for storing a programmed playing order.
- **Custom index function** for assigning your own index point to any desired position on a disc.

### Program play

You can play up to 20 selections in the desired order. Pause can be also programmed. You can also confirm the total playing time while choosing the selection to be programmed.

### Variety of playing modes

Single play, program play, shuffle play and repeat play as well as normal continuous play of a whole disc.

### Large and easy-to-read window display

Shows the elapsed playing time, the remaining time of the selection being played, the remaining time of the whole disc or the remaining programmed selection numbers. The display contains a music calendar indicating all the numbers of the selections on the disc (up to 20).

### ATTENTION AU COMPOSANT AYANT RAPPORT À LA SÉCURITÉ!


LES COMPOSANTS IDENTIFIÉS PAR UNE TRAME ET UNE MARQUE  SUR LES DIAGRAMMES SCHEMATIQUES ET LA LISTE DES PIÈCES SONT CRITIQUES POUR LA SÉCURITÉ DE FONCTIONNEMENT. NE REMPLACER CES COMPOSANTS QUE PAR DES PIÈCES SONY DONT LES NUMÉROS SONT DONNÉS DANS CE MANUEL OU DANS LES SUPPLÉMENTS PUBLIÉS PAR SONY.

TABLE OF CONTENTS

<u>Section</u>	<u>Title</u>	<u>Page</u>
Specifications . . . . .		1
Model Identification . . . . .		2
Features . . . . .		2
Safety Check-out . . . . .		3
Servicing Note . . . . .		4
Location of Controls . . . . .		5
<b>1. DISASSEMBLY</b>		
Nut of Vplume Removal . . . . .		6
<b>2. ELECTRICAL ADJUSTMENTS</b>		
Adjustment Mode . . . . .		7
RF PLL Adjustment . . . . .		7
Focus Bias Adjustment . . . . .		8
E-F Balance Adjustment . . . . .		8
Reference – Focus/Tracking Gain Adjustment . . . . .		9
Distortion Adjustment . . . . .		10
<b>3. DIAGRAMS</b>		
3-1. Optical Pick-Up Block Mounting Diagram . . . . .		11
3-2. IC Block Diagrams . . . . .		13
3-3. Waveforms . . . . .		16
3-4. Main Section Mounting Diagram . . . . .		18
3-5. Main Section Schematic Diagram . . . . .		23
3-6. Display Section Mounting Diagram . . . . .		28
3-7. Semiconductor Lead Layouts . . . . .		28
3-8. Display Section Schematic Diagram . . . . .		31
<b>4. EXPLODED VIEWS AND PARTS LIST . . . . .</b>		<b>33</b>
<b>5. ELECTRICAL PARTS LIST . . . . .</b>		<b>40</b>
Troubleshooting Guide . . . . .		48

**SAFETY CHECK-OUT**

After correcting the original service problem, perform the following safety check before releasing the set to the customer:

Check the antenna terminals, metal trim, “metallized” knobs, screws, and all other exposed metal parts for AC leakage. Check leakage as described below.

**LEAKAGE TEST**

The AC leakage from any exposed metal part to earth ground and from all exposed metal parts to any exposed metal part having a return to chassis, must not exceed 0.5 mA (500 microampers). Leakage current can be measured by any one of three methods.

1. A commercial leakage tester, such as the Simpson 229 or RCA WT-540A. Follow the manufacturers’ instructions to use these instruments.
2. A battery-operated AC milliammeter. The Data Precision 245 digital multimeter is suitable for this job.
3. Measuring the voltage drop across a resistor by means of a VOM or battery-operated AC voltmeter. The “limit” indication is 0.75 V, so analog meters must have an accurate low-voltage scale. The Simpson 250 and Sanwa SH-63Trd are examples of a passive VOM that is suitable. Nearly all battery operated digital multimeters that have a 2V AC range are suitable. (See Fig. A)

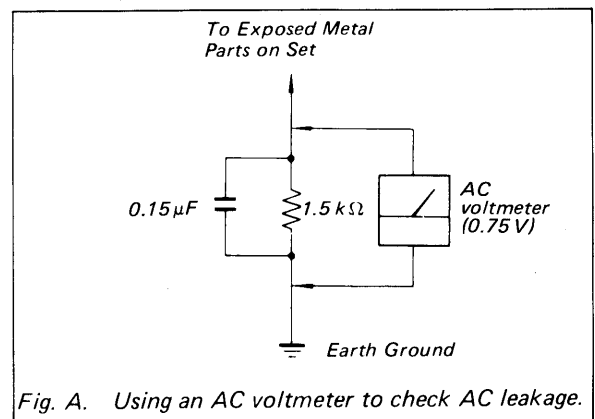


Fig. A. Using an AC voltmeter to check AC leakage.

## SERVICING NOTES

### NOTES ON HANDLING THE OPTICAL PICK-UP BLOCK OR BASE UNIT

The laser diode in the optical pick-up block may suffer electrostatic breakdown because of the potential difference generated by the charged electrostatic load, etc. on clothing and the human body.

During repair, pay attention to electrostatic breakdown and also use the procedure in the printed matter which is included in the repair parts.

The flexible board is easily damaged and should be handled with care.

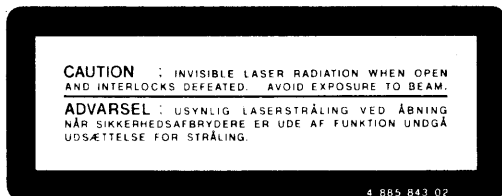
#### ADVARSEL!!

Under service må øjnene ikke komme nær objektiv-linsen på den optiske pick-up enhed. I tilfælde af at det er nødvendigt at kontrollere udsendelsen af laserlys, skal det ske i en afstand af mere end 25 cm fra den optiske pick-up.

### LASER ADVARSEL MÆRKNING

Følgende mærkning findes indvendig i apparatet:

#### 1. Advarsel Mærkning



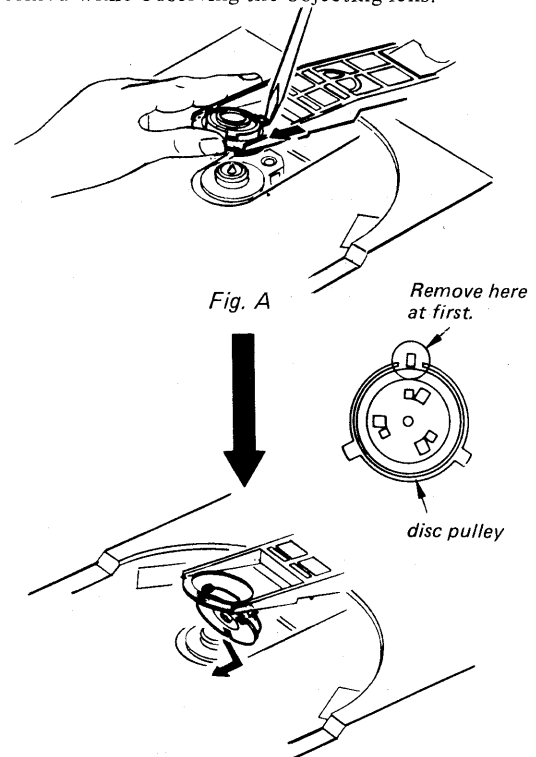
**VAROITUS:** Laite sisältää, laserdiodin, joka lähettää (näkyvätöntä) silmille vaarallista lasersäteilyä.

### NOTES ON LASER DIODE EMISSION CHECK

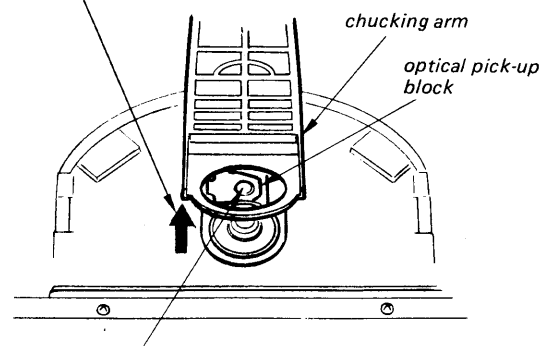
The laser beam on this model is concentrated so as to be focused on the disc reflective surface by the objective lens in the optical pick-up block. Therefore, when checking the laser diode emission, observe more than 25 cm away from the objective lens.

### LASER DIODE AND FOCUS SERCH OPERATION CHECK

1. Remove disc pulley by lifting up chucking arm by hand. (Fig. A, B)
2. Make POWER switch on with no disc inserted and disc table closed.
3. Confirm that the operation indicated in Fig. C is performed while observing the objecting lens.



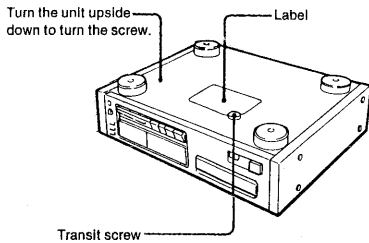
Lift up chucking arm by hand in the direction of arrow.



- ① Confirm that laser beam is spread.
- ② Up and down motion of the objective lens. (3 times)

Fig. C

**Note on the Transit Screw**



Before operating the CD player, be sure to turn the transit screw as described on the label on the bottom of the unit.

**1** Remove the cap of the screw.

**2** Turn the screw 180 degrees counterclockwise using the supplied screwdriver.

Do not turn the screw excessively, or the unit may be damaged.

When transporting the unit again, turn the transit screw in the reverse direction.

**When You Use the CD Player for the First Time**

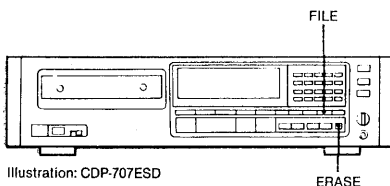


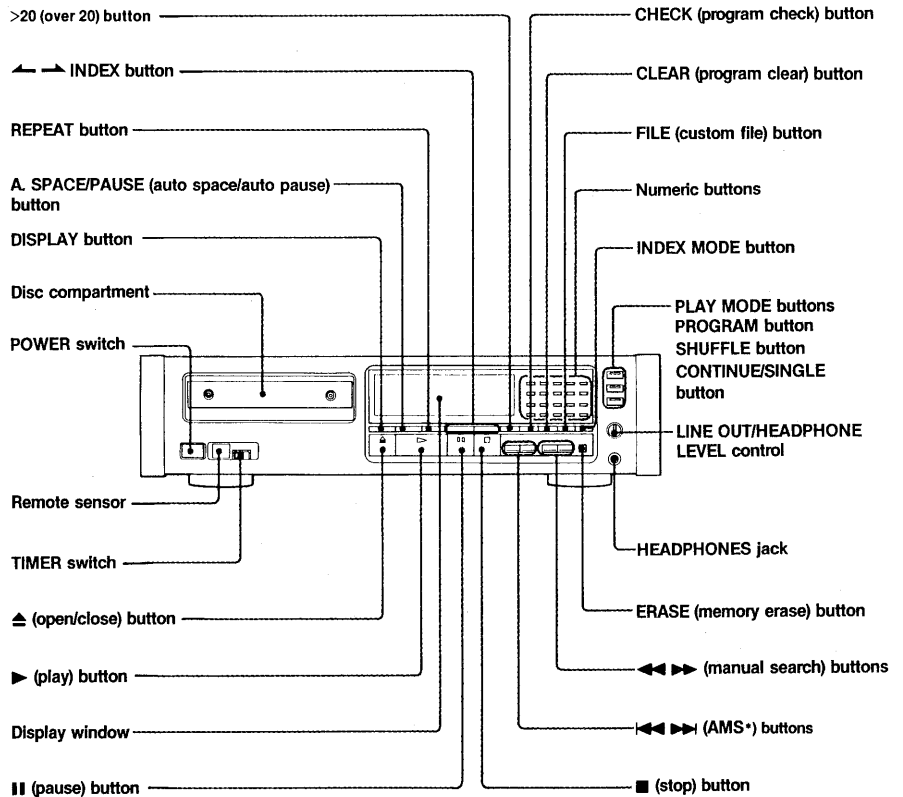
Illustration: CDP-707ESD

Turn on the power by pressing POWER while keeping ERASE and FILE pressed.

This will clear the internal memory if you have been instructed how to use the custom file function at the shop you purchased the CD player. Thus the player returns the same status as it was manufactured at factory.

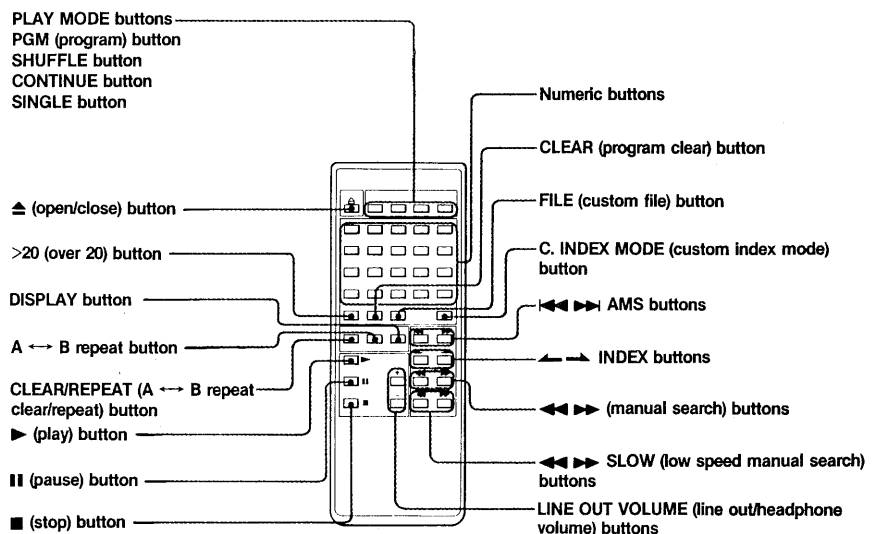
**Location of Controls**

**Front Panel**



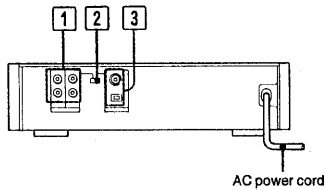
\* AMS is an abbreviation of Automatic Music Sensor.

**Remote Commander**



## SECTION 1 DISASSEMBLY

### Description on Rear Panel



#### 1 LINE OUT (audio output) jacks

**FIXED:** Output the signal at the fixed level.

**VARIABLE:** Output the signal at the level set by the LINE OUT/HEADPHONE LEVEL control (or LINE OUT VOLUME buttons on the remote commander).

#### 2 OUTPUT SELECTOR

Selects the output connectors to be used.

**DIGITAL OUT:** Digital signal is output through the DIGITAL OUT jacks. No signal is output through the LINE OUT jacks or the HEADPHONES jack.

**LINE OUT:** Audio signal is output through the LINE OUT jacks or the HEADPHONES jack. No signal is output through the DIGITAL OUT jacks. (Be sure to set to this position when you listen to the music through the headphones or the LINE OUT jacks.)

#### 3 DIGITAL OUT (digital audio output) jacks

Output the digital audio signals.

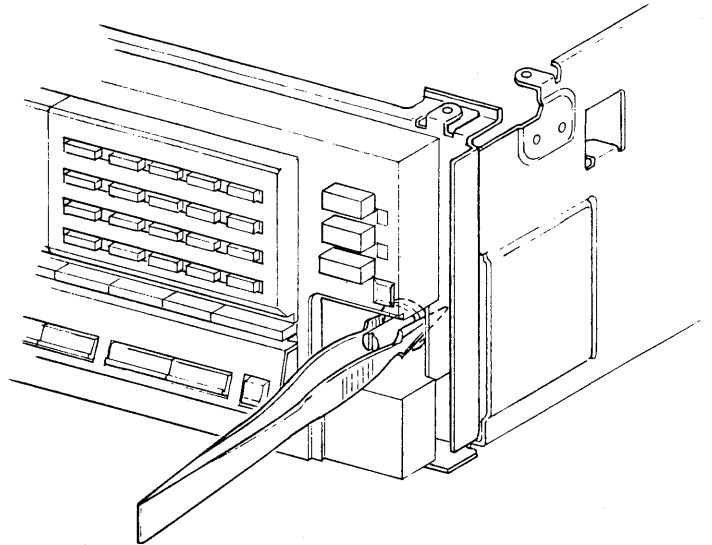
**COAXIAL:** To be connected to a digital input jack of the amplifier or the D/A converter unit.

**OPTICAL:** To be connected to the amplifier having an optical input jack.

**Note:** If the LINE OUT/HEADPHONE LEVEL control is turned while recording through the VARIABLE LINE OUT jacks, the level of the recorded sound will be different from that set by the recording level controls of the tape deck.

### NUT OF VOLUME REMOVAL

After loosen the nut by plier, rotating nut with tweezers makes easy to remove it.



## SECTION 2 ELECTRICAL ADJUSTMENTS

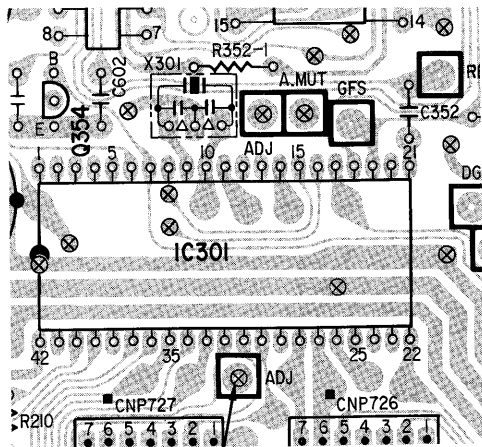
### 2-1. ELECTRICAL ADJUSTMENTS

1. Perform adjustments in the order given.
2. Use YEDS-18 disc unless otherwise indicated.
3. Use the oscilloscope with more than 10 MΩ impedance.

#### Adjustment Mode

1. Connect digital board test point ADJ and GND.  
(This is to prevent the disc table from opening even though pits are not read, by making micro-computer IC301 pin (38) low.)
2. Turn POWER switch on.  
(To reset microcomputer.)  
After adjustment, remove the lead wire connecting test points ADJ and GND.

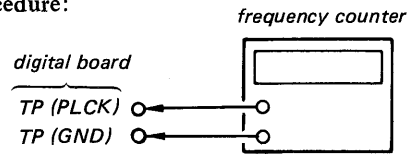
**Adjustment Location:** digital board



test point ADJ  
(Connect the lead wire from this test point to GND.)

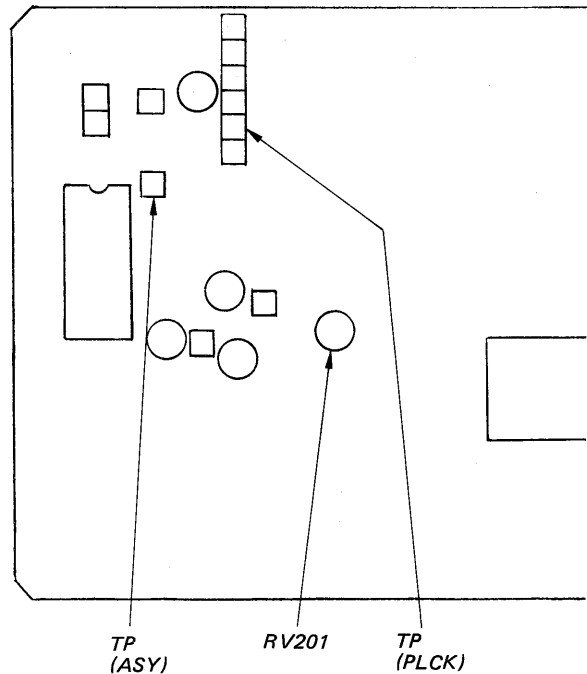
#### RF PLL Adjustment

##### Procedure:



1. Connect main board test point ASY and GND.
2. Connect the frequency counter to main board test points TP PLCK and TP GND.
3. Turn POWER switch ON (stop mode).
4. Adjust digital board RV201 so that reading on frequency counter is 4.3218 MHz  $\pm$ 3 kHz.
5. Reconnect lead wires connected in adjustment mode.
6. Put disc (YEDS-18) in and press ► PLAY button.
7. Confirm that reading on frequency counter is 4.3218 MHz.

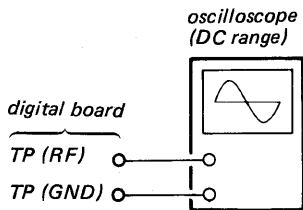
**Adjustment Location:** digital board



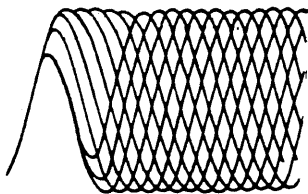
**Focus Bias Adjustment**

This adjustment should be made when replacing Optical Pick-up.

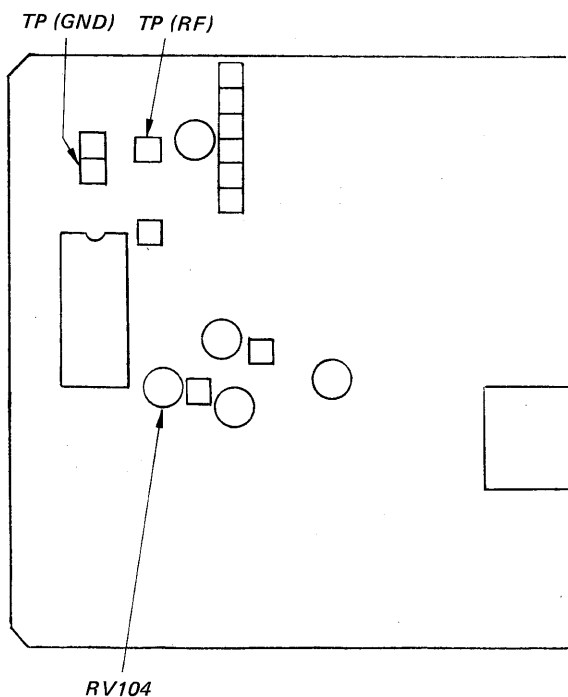
**Procedure:**



1. Connect oscilloscope to test points RF and GND.
2. Put set into adjustment mode. (See page 7.)
3. Turn POWER switch on.
4. Put disc (YEDS-18) in and press ► button.
5. Adjust RV104 for an optimum waveform eye pattern or so that the peak is maximum. Optimum eye pattern means that shape “◇” can be clearly distinguished at the center of the waveform.



Adjustment Location: digital board

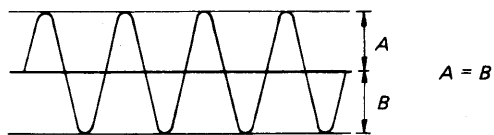


**E-F Balance Adjustment**

This adjustment should be made when replacing Optical Pick-up.

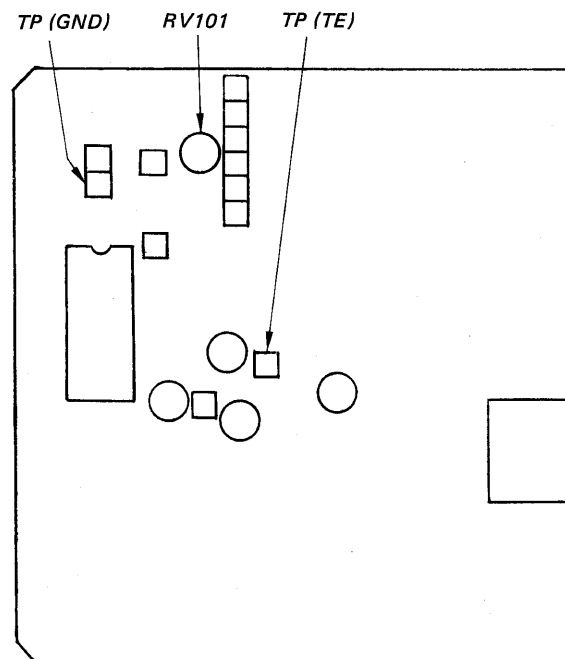
**Procedure:**

1. Connect oscilloscope to test points TE and GND.
2. Put set into adjustment mode. (See page 7.)
3. Turn POWER switch on.
4. Put disc (YEDS-18) in and press ► button.
5. Adjust RV101 so that the traverse waveform is symmetrical above and below.
6. After adjustment, cancel the adjustment mode. (See page 7.)



VOLT/DIV: 1 V  
TIME/DIV: 1 ms

Adjustment Location: digital board

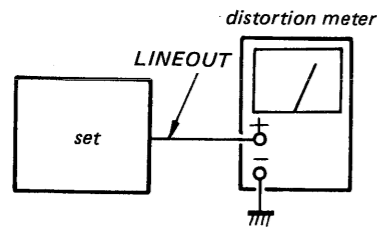




REFERENCE

**Distortion Adjustment**

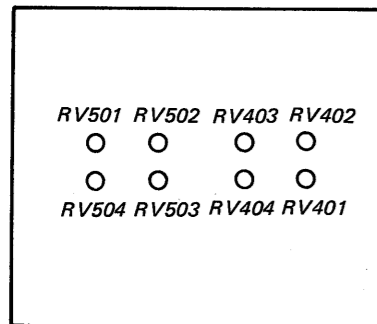
This adjustment should be made only when replacing D/A converter and components of the -15 V system power supply block.



- Put disc (YEDS-18) in and playback 1 kHz, 0 dB signal track (second track).
- Adjust the following volumes in order given by arrows so that the distortion is minimum.  
L-CH: RV404 → RV403 → RV401 → RV402  
R-CH: RV504 → RV503 → RV501 → RV502
- Confirm the specification is satisfied. When out of specification, repeat item 2 and 3 several times.

Specification: 0.003% and below

Adjustment Location: main board



**Focus/Tracking Gain Adjustment**

A frequency response analyzer is necessary in order to perform this adjustment exactly.

However, this gain has a margin, so even if it is slightly off, there is no problem. Therefore, do not perform this adjustment.

Focus/tracking gain determines the pick-up follow-up (vertical and horizontal) relative to mechanical noise and mechanical shock when the 2-axis device operate.

However, as these reciprocate, the adjustment is at the point where both are satisfied.

- When gain is raised, the noise when the 2-axis device operates increases.
- When gain is lowered, mechanical shock and skipping occurs more easily.
- When gain adjustment is off, the symptoms below appear.

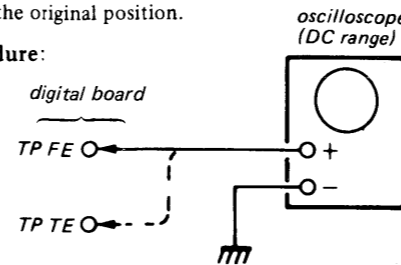
Symptoms	Gain	Focus	Tracking
• The time until music starts becomes longer for STOP →▶PLAY or automatic selection (◀◀ ▶▶ buttons pressed.) (Normally takes about 1 seconds.)		low	low or high
• Music does not start and disc continues to rotate for STOP →▶PLAY or automatic selection. (◀◀ ▶▶ buttons pressed.)		-	low
• Disc table opens shortly after STOP →▶PLAY.		low or high	-
• Sound is interrupted during PLAY. Or time counter display stops progressing.		-	low
• More noise during 2-axis device operation.		high	high

The following is a simple adjustment method.

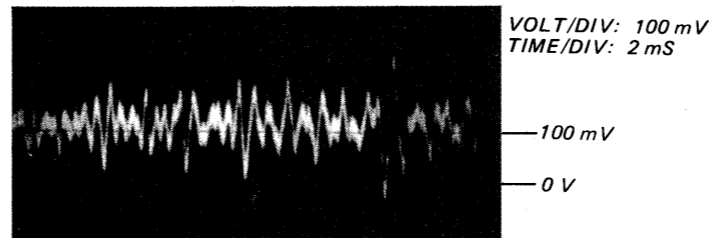
– Primary Adjustment –

**Note:** Since exact adjustment cannot be performed, remember the positions of the controls before performing the adjustment. If the positions after the primary adjustment are only a little different, return the controls to the original position.

**Procedure:**

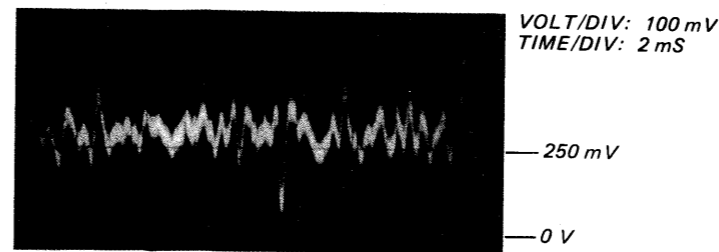


- Keep the set horizontal.  
(If the set is not horizontal, this adjustment cannot be performed due to the gravity against the 2 axis device.)
- Put set in adjustment mode. (See page 7.)
- Insert disc (YEDS-1) and press ▶PLAY button.
- Connect oscilloscope to servo board TP FE.
- Adjustment RV103 so that the waveform is as shown in the figure below. (focus gain adjustment)

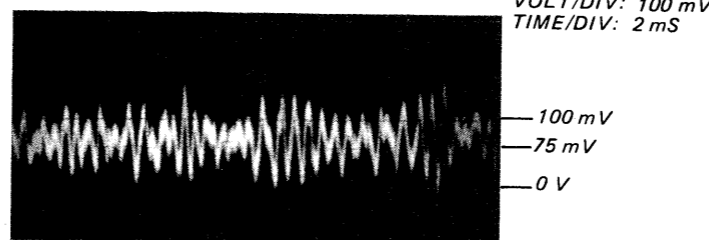


- Incorrent Examples (DC level changes more than on adjusted waveform)

low focus gain

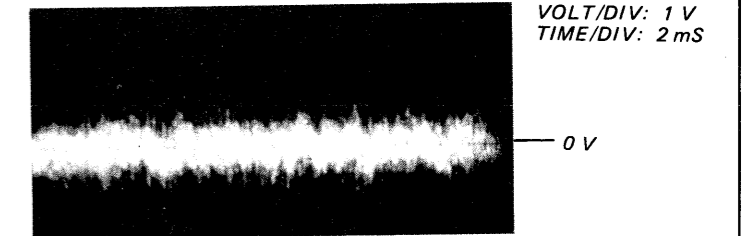


high focus gain



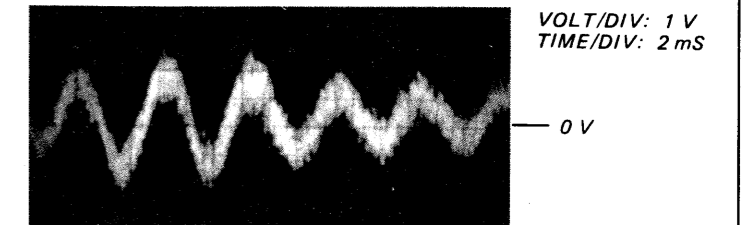
6. Connect oscilloscope to main board TP TE.

7. Adjust RV102 so that the waveform is as shown in the figure below. (tracking gain adjustment)

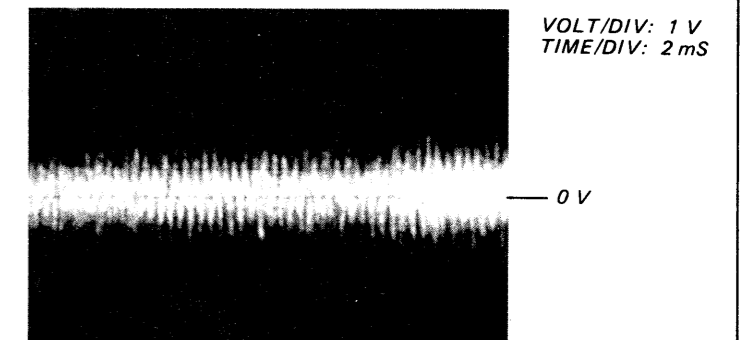


- Incorrect Examples (fundamental wave appears)

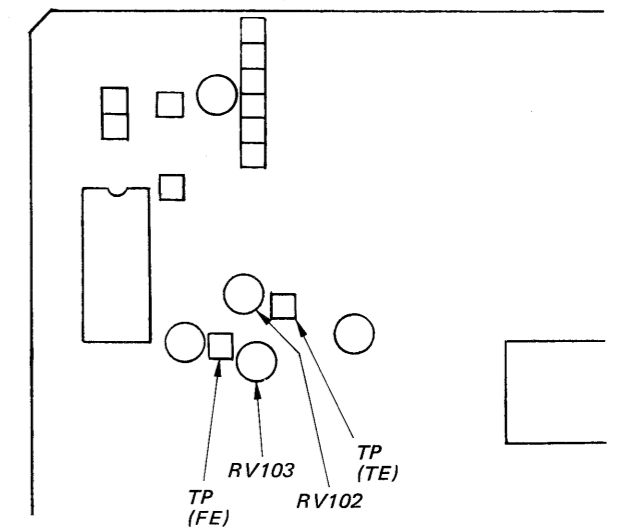
low tracking gain



high tracking gain  
(higher fundamental wave than for low gain)



Adjustment Location: digital board

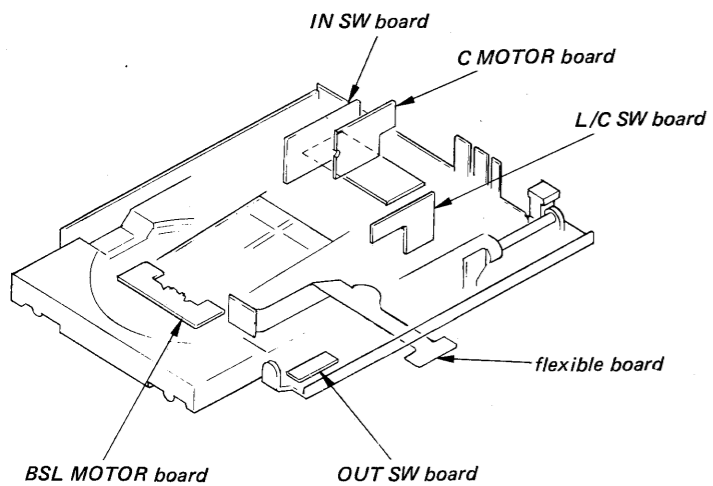
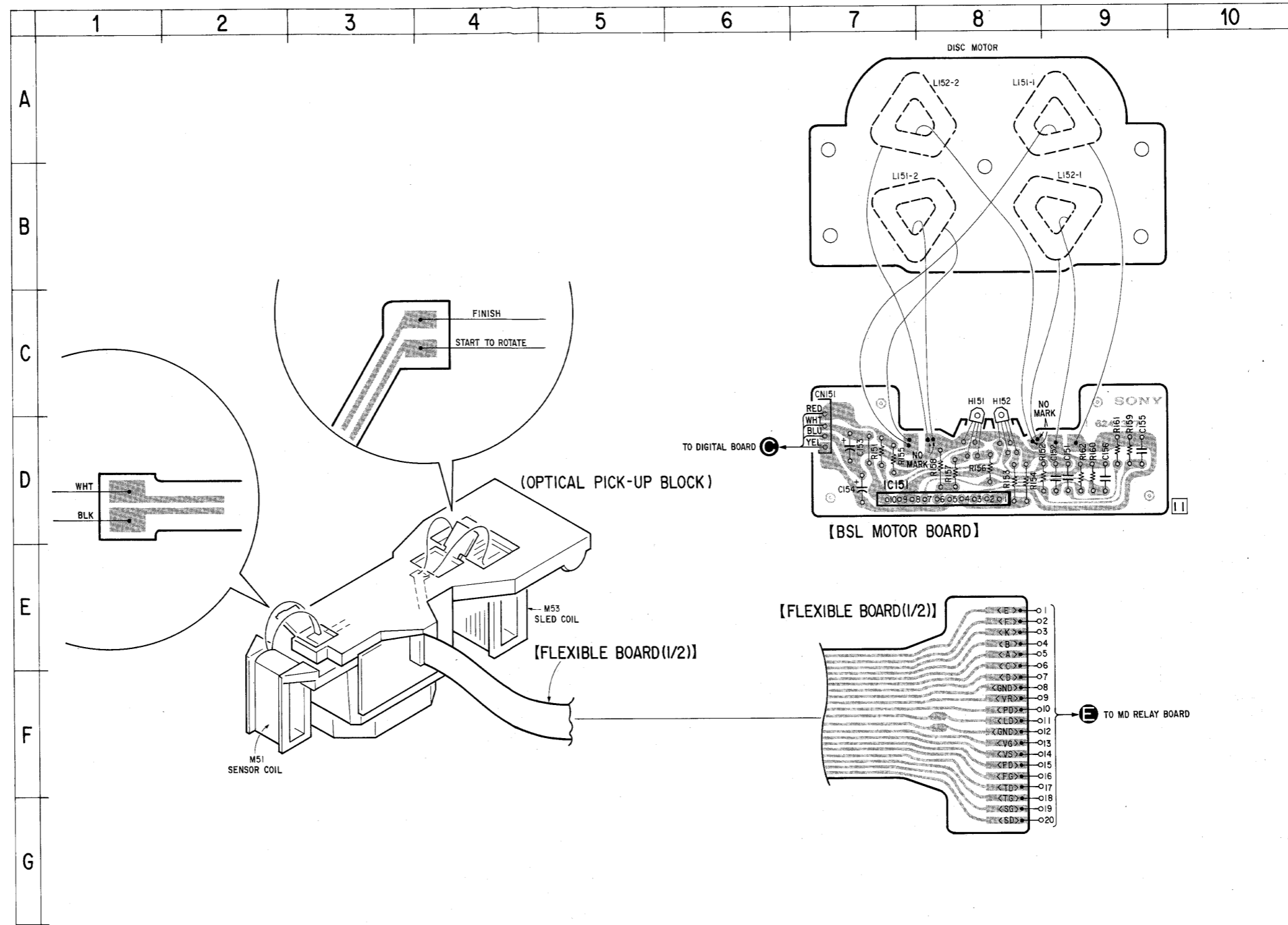


3-1. OPTICAL PICK-UP BLOCK MOUNTING DIAGRAM

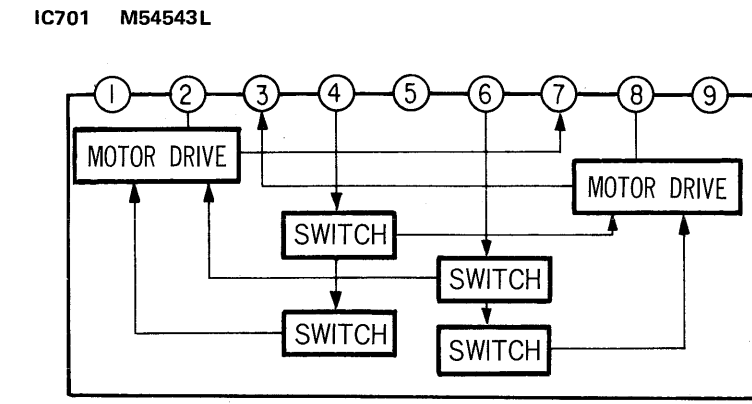
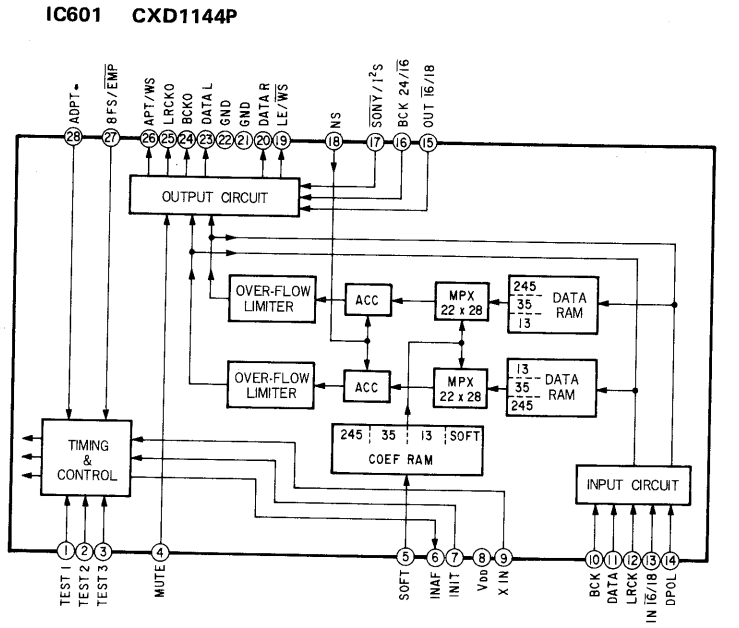
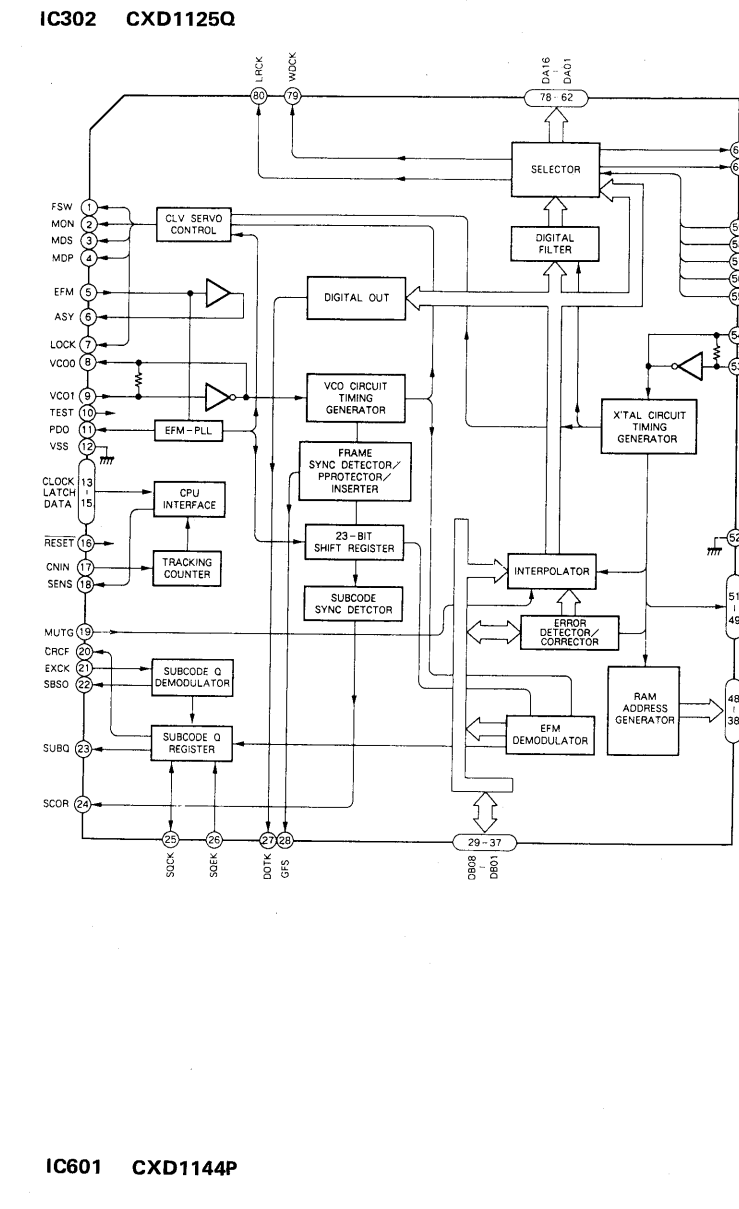
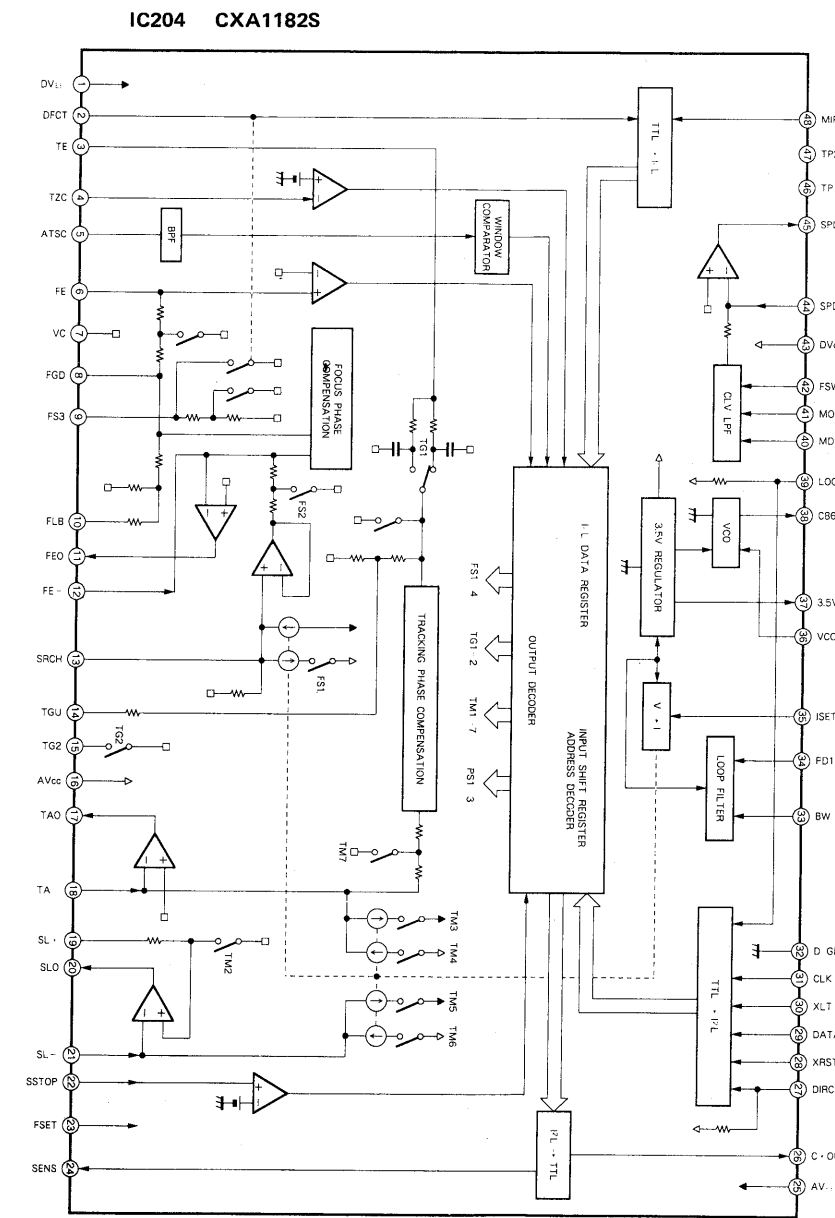
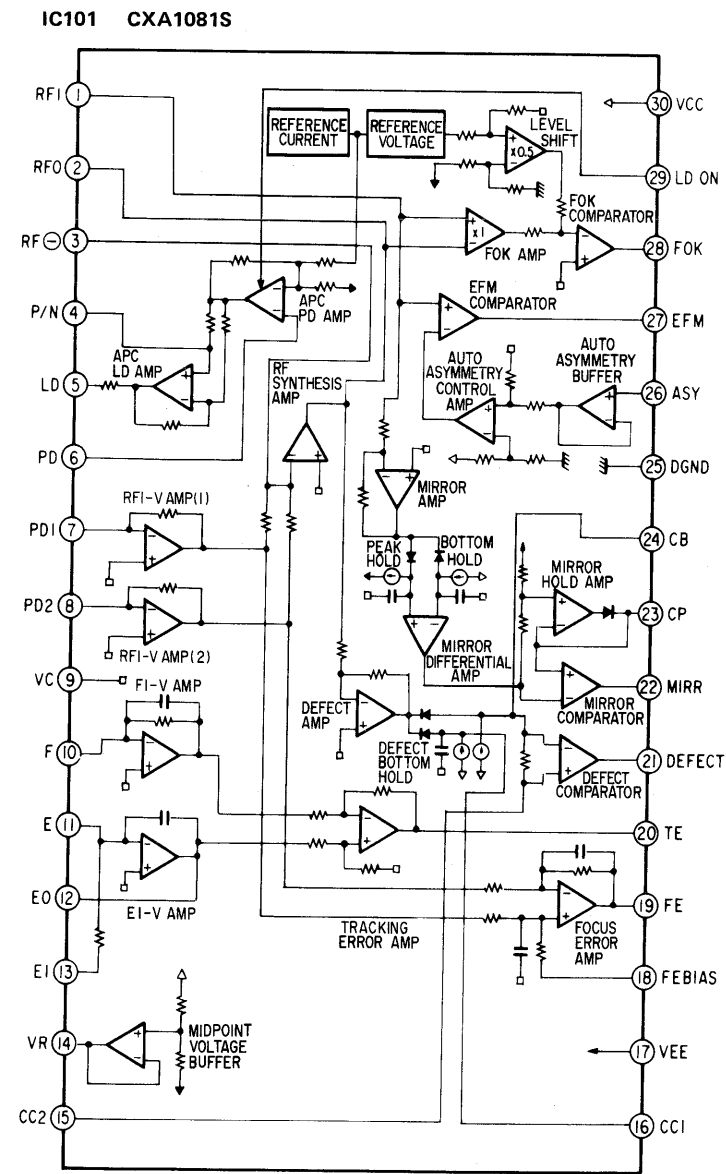
- See page 23 for Schematic Diagram.
- See page 29 for Semiconductor Lead Layouts.
- See page 18 for notes.

• SEMICONDUCTOR LOCATION

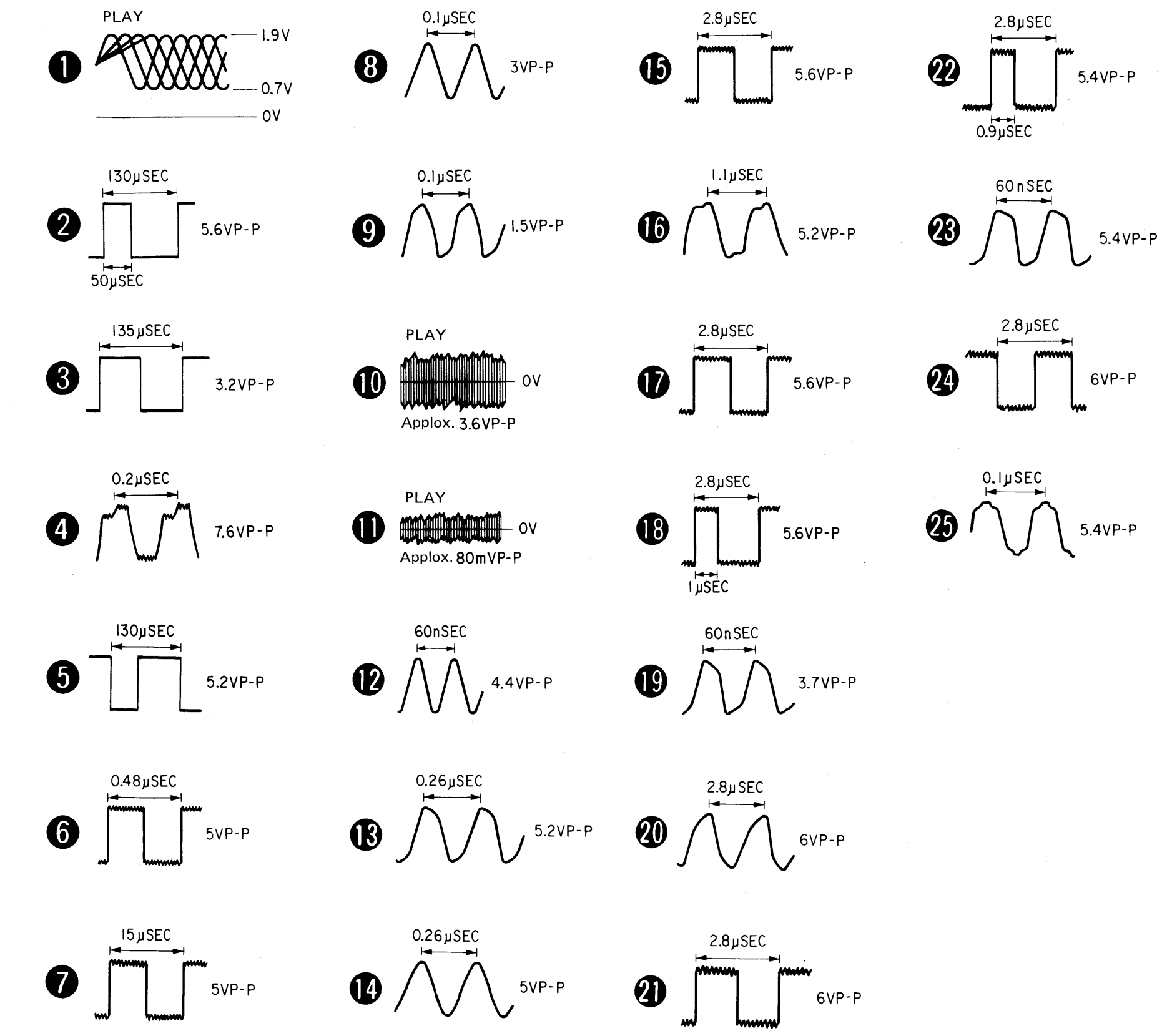
Ref. No.	Location
IC151	D-7



3-2. IC BLOCK DIAGRAMS



3-3. WAVEFORMS

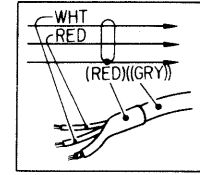


3-4. MAIN SECTION MOUNTING DIAGRAM

- See page 11 for Optical Pick-up Block.
- See page 29 for Display section.
- See page 29 for Semiconductor Lead Layouts.

Note:

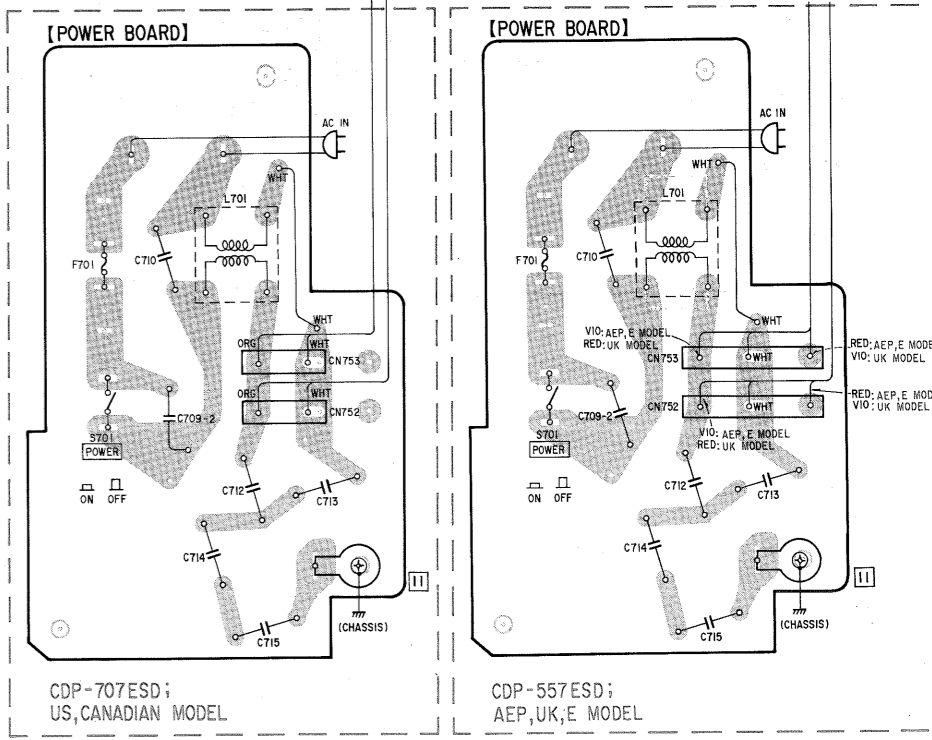
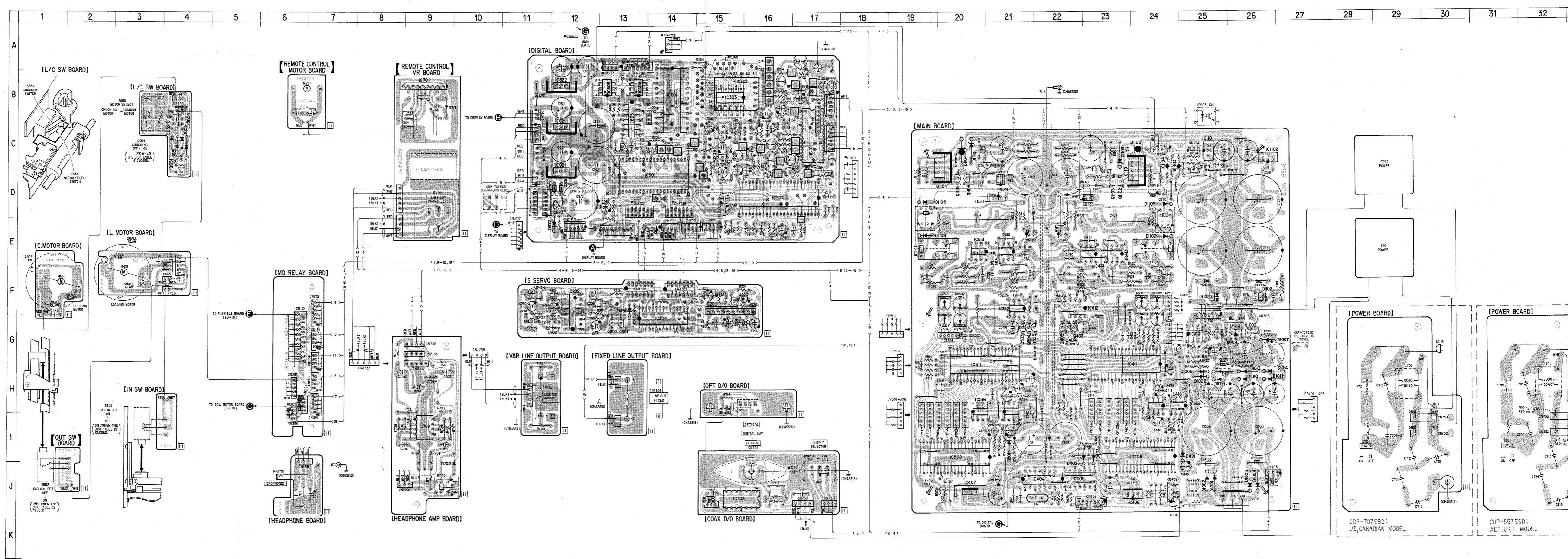
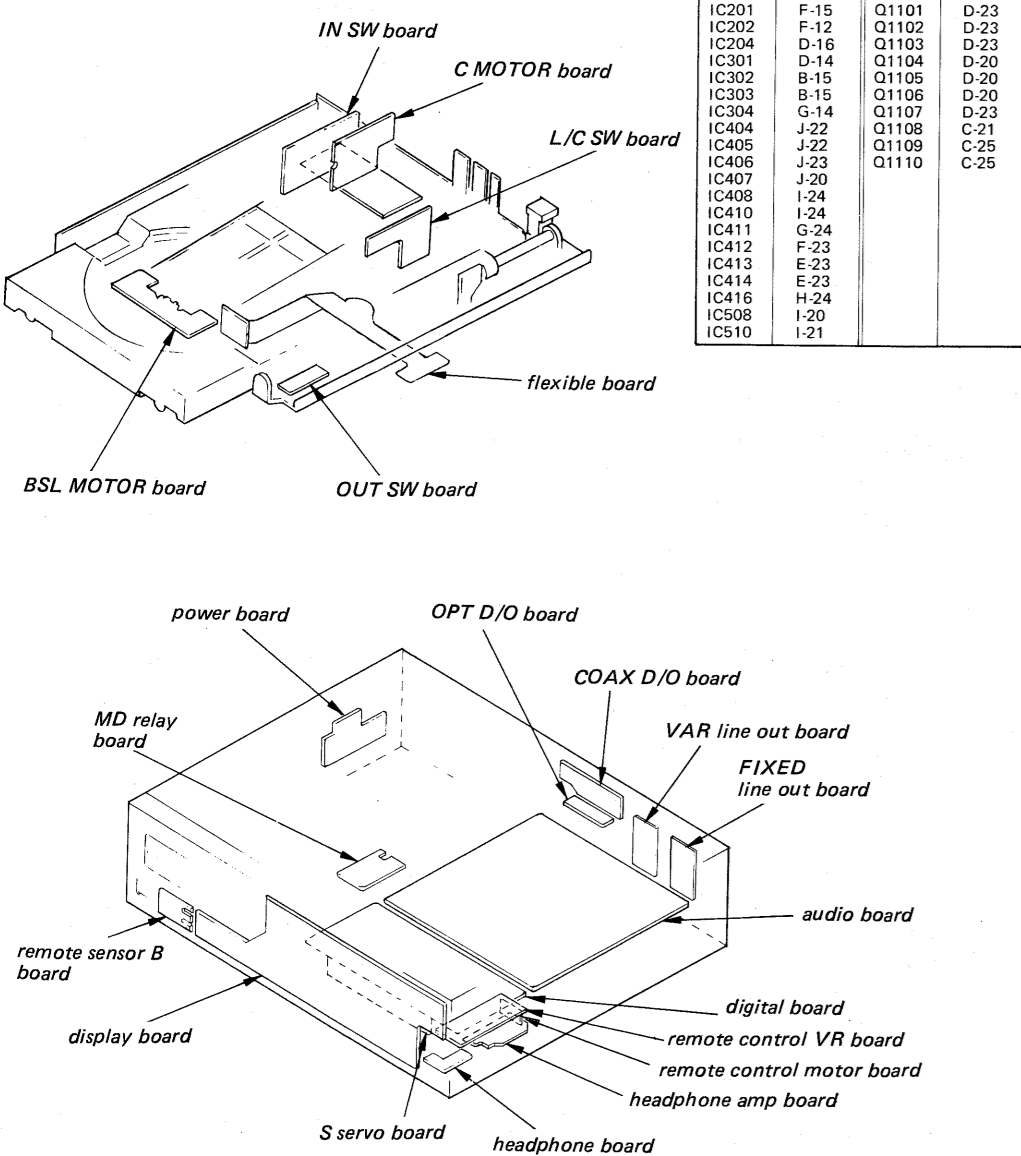
- Color code or sleeving over the end of the jacket.



- ○ : parts extracted from the component side.
- ● : parts mounted on the conductor side.
- ⊗ : Through hole.
- [Pattern] : Pattern on the side which is seen.
- [Pattern] : Pattern of the rear side.

• SEMICONDUCTOR LOCATION

Ref. No.	Location	Ref. No.	Location
D101	B-17	IC511	G-20
D102	G-12	IC512	F-21
D351	F-13	IC513	E-20
D401	I-25	IC514	E-21
D402	J-22	IC516	H-20
D403	I-23	IC601	B-14
D501	I-21	IC603	B-13
D651	C-4	IC604	C-13
D652	C-4	IC605	B-13
D653	C-4	IC701	B-9
D654	E-4	IC702	I-9
D701	B-9	IC703	J-15
D702	I-9	IC821	C-12
D872	E-11	IC822	B-12
D1001	J-25	IC823	D-12
D1002	J-25	IC921	C-12
D1003	J-26	IC1001	G-25
D1004	J-26	IC1101	C-25
D1005	H-25	IC1102	C-26
D1006	H-25	IC1103	C-24
D1007	G-27	IC1104	C-24
D1008	G-26		
D1009	H-25	Q101	B-17
D1010	H-26	Q205	C-15
D1011	H-26	Q206	C-15
D1012	H-25	Q207	G-11
D1013	H-26	Q208	F-11
D1014	H-27	Q351	G-13
D1101	F-25	Q352	G-13
D1102	F-26	Q353	F-15
D1103	C-25	Q354	C-13
D1104	C-20	Q403	G-22
D1105	D-24	Q404	G-22
D1106	D-20	Q405	G-22
D1107	E-24	Q503	G-21
D1108	E-20	Q504	G-21
D1109	C-23	Q505	G-21
D1110	C-20	Q551	C-4
		Q1001	G-25
		Q1002	G-26
IC201	F-15	Q1101	D-23
IC202	F-12	Q1102	D-23
IC204	D-16	Q1103	D-23
IC301	D-14	Q1104	D-20
IC302	B-15	Q1105	D-20
IC303	B-15	Q1106	D-20
IC304	G-14	Q1107	D-23
IC404	J-22	Q1108	C-21
IC405	J-22	Q1109	C-25
IC406	J-23	Q1110	C-25
IC407	J-20		
IC408	I-24		
IC410	I-24		
IC411	G-24		
IC412	F-23		
IC413	E-23		
IC414	E-23		
IC416	H-24		
IC508	I-20		
IC510	I-21		



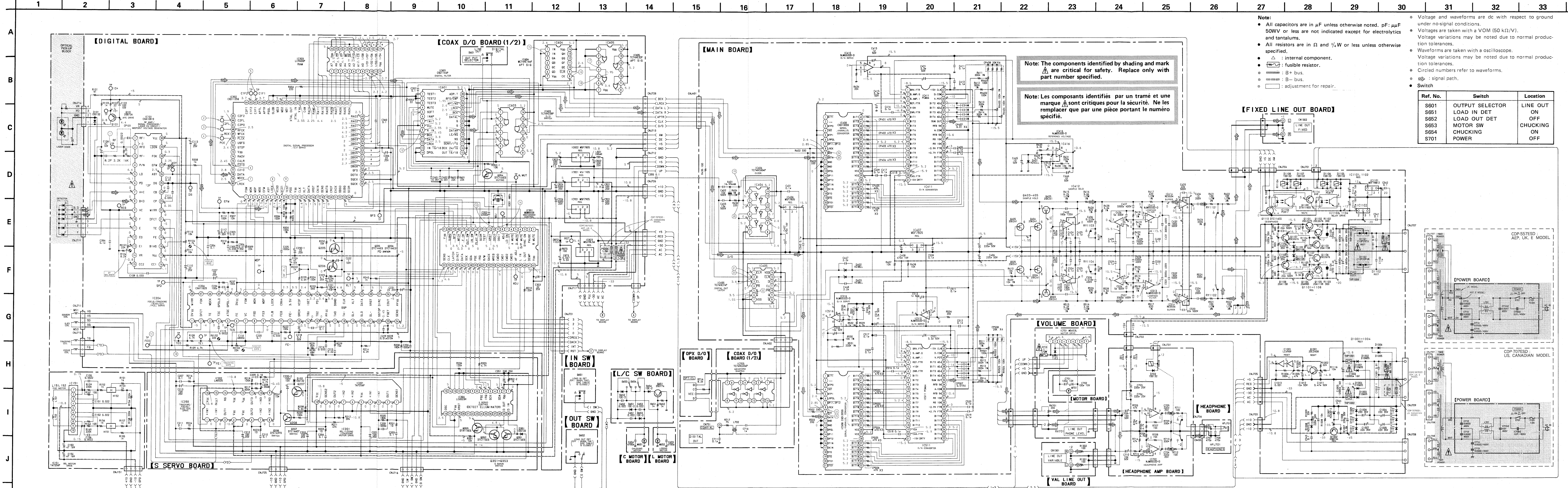
3-5. MAIN SECTION SCHEMATIC DIAGRAM (INCLUDING OPTICAL PICK-UP BLOCK)

• See page 13 for IC Block Diagrams. • See page 16 for Waveforms. • See page 29 for Display section.

CDP-557ESD/707ESD

CDP-557ESD/707ESD CDP-557ESD/707ESD

CDP-557ESD/707ESD



Note: The components identified by shading and mark **A** are critical for safety. Replace only with part number specified.

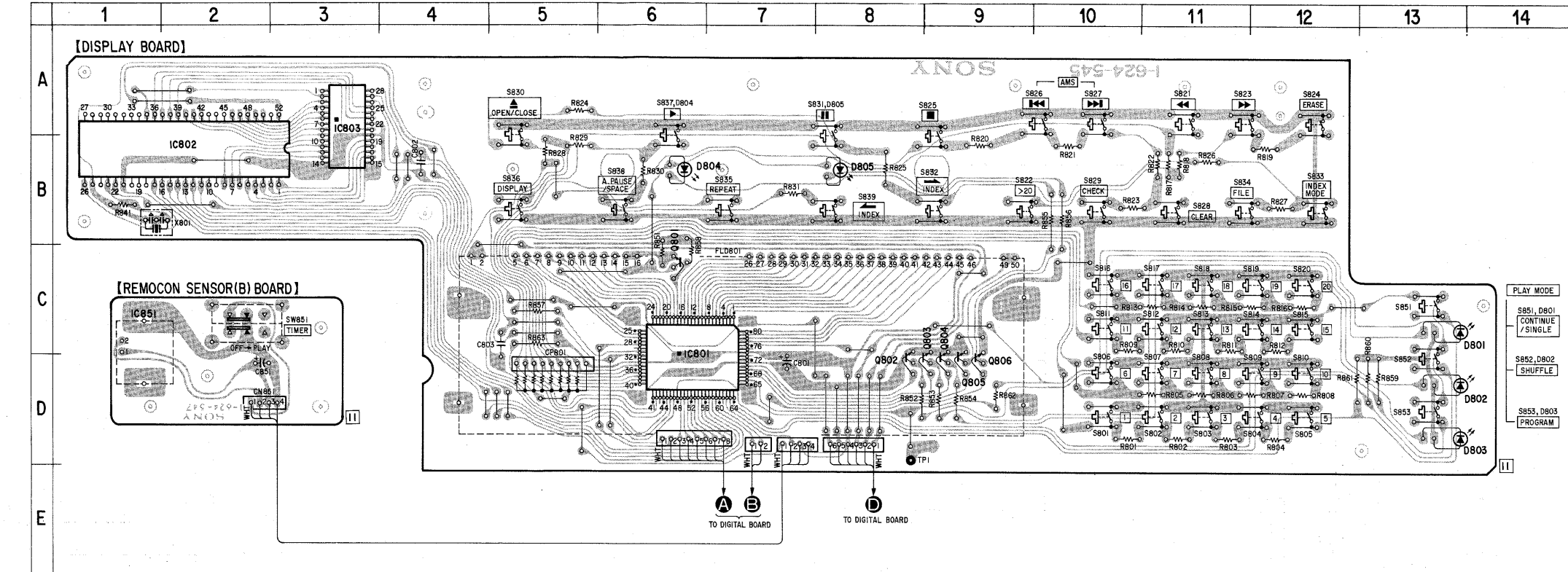
Note: Les composants identifiés par un trame et une marque **A** sont critiques pour la sécurité. Ne les remplacer que par une pièce portant le numéro spécifié.

- Note:
- All capacitors are in  $\mu\text{F}$  unless otherwise noted.  $\text{pF}$ :  $\mu\text{F}$  50WV or less are not indicated except for electrolytics and tantalums.
  - All resistors are in  $\Omega$  and  $\frac{1}{2}\text{W}$  or less unless otherwise specified.
  - $\Delta$ : internal component.
  - $\square$ : fusible resistor.
  - $\square$ : B+ bus.
  - $\square$ : B- bus.
  - $\square$ : adjustment for repair.

- Voltage and waveforms are dc with respect to ground under no-signal conditions.
- Voltages are taken with a VOM (50 k $\Omega$ /V). Voltage variations may be noted due to normal production tolerances.
- Waveforms are taken with an oscilloscope. Voltage variations may be noted due to normal production tolerances.
- Circled numbers refer to waveforms.
- $\square$ : signal path.
- Switch

Ref. No.	Switch	Location
S601	OUTPUT SELECTOR	LINE OUT
S651	LOAD IN DET	ON
S652	LOAD OUT DET	OFF
S653	MOTOR SW	CHUCKING
S654	CHUCKING	ON
S701	POWER	OFF

3-6. DISPLAY SECTION MOUNTING DIAGRAM • See page 18 for Main section.



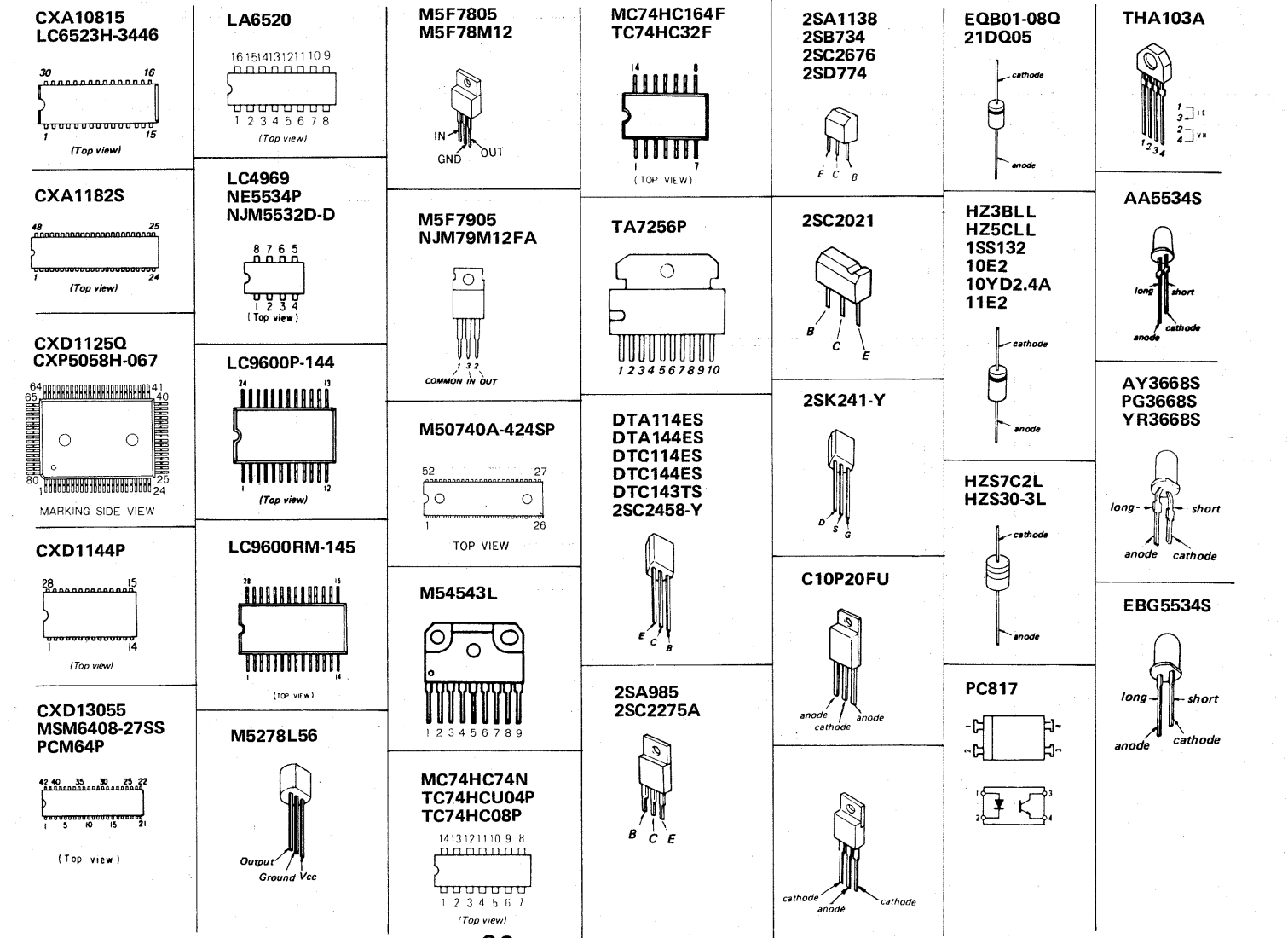
**SEMICONDUCTOR LOCATION**

Ref. No.	Location
D801	C-14
D802	D-14
D803	D-14
D804	B-7
D805	B-8
IC801	C-6
IC802	B-2
IC803	A-3
IC851	C-1
Q801	B-6
Q802	D-8
Q803	C-9
Q804	C-9
Q805	D-9
Q806	D-9

- Note on Schematic Diagram:**
- All capacitors are in  $\mu\text{F}$  unless otherwise noted.  $\text{pF}$ :  $\mu\text{F}$  50WV or less are not indicated except for electrolytics and tantalums.
  - All resistors are in  $\Omega$  and  $\frac{1}{4}\text{W}$  or less unless otherwise specified.
  - $\Delta$ : internal component.
  - $\text{---}$ : B+ bus.
  - $\text{---}$ : B- bus.
  - Voltage and waveforms are dc with respect to ground under no-signal conditions.
  - Voltages are taken with a VOM (50  $\text{k}\Omega/\text{V}$ ).
  - Voltage variations may be noted due to normal production tolerances.
  - Waveforms are taken with an oscilloscope.
  - Voltage variations may be noted due to normal production tolerances.
  - Circled numbers refer to waveforms.
  - Switch

Ref. No.	Switch	Location
S801	1	OFF
S802	2	OFF
S803	3	OFF
S804	4	OFF
S805	5	OFF
S806	6	OFF
S807	7	OFF
S808	8	OFF
S809	9	OFF
S810	10	OFF
S811	11	OFF
S812	12	OFF
S813	13	OFF
S814	14	OFF
S815	15	OFF
S816	16	OFF
S817	17	OFF
S818	18	OFF
S819	19	OFF
S820	20	OFF
S821	$\leftarrow$ >20	OFF
S822	$\gg$ >20	OFF
S823	$\rightarrow$	OFF
S824	ERASE	OFF
S825	$\blacksquare$	OFF
S826	AMS $\blacktriangleleft$	OFF
S827	AMS $\blacktriangleright$	OFF
S828	CLEAR	OFF
S829	CHECK	OFF
S830	$\blacktriangle$ OPEN/CLOSE	OFF
S831	$\parallel$	OFF
S832	$\rightarrow$ INDEX	OFF
S833	INDEX MODE	OFF
S834	FILE	OFF
S835	REPEAT	OFF
S836	DISPLAY	OFF
S837	$\blacktriangleright$	OFF
S838	A. PAUSE/SPACE	OFF
S839	$\leftarrow$ INDEX	OFF
S851	PLAY MODE CONTINUE/SINGLE	OFF
S852	PLAY MODE SHUFFLE	OFF
S853	PLAY MODE PROGLAM	OFF
SW851	TIMER	OFF

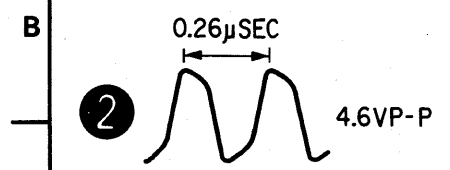
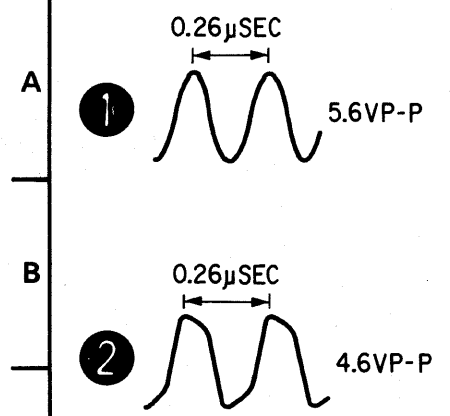
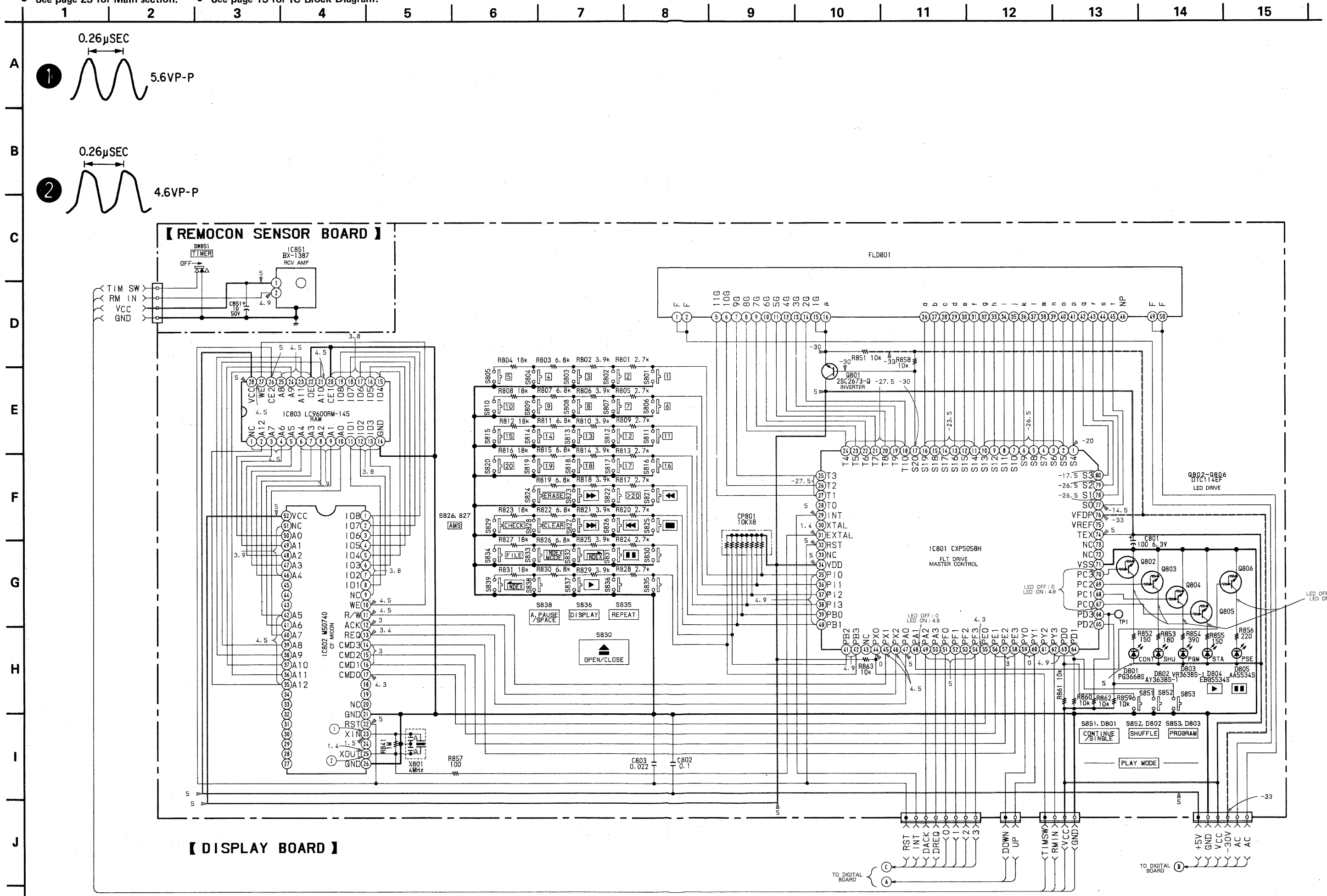
3-7. SEMICONDUCTOR LEAD LAYOUTS



**Note on Mounting Diagram:**

- Color code or sleeving over the end of the jacket.
- Parts extracted from the component side.
- Parts mounted on the conductor side.

3-8. DISPLAY SECTION SCHEMATIC DIAGRAM • See page 23 for Main section. • See page 13 for IC Block Diagram.



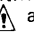
SECTION 4

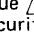
EXPLODED VIEWS AND PARTS LIST

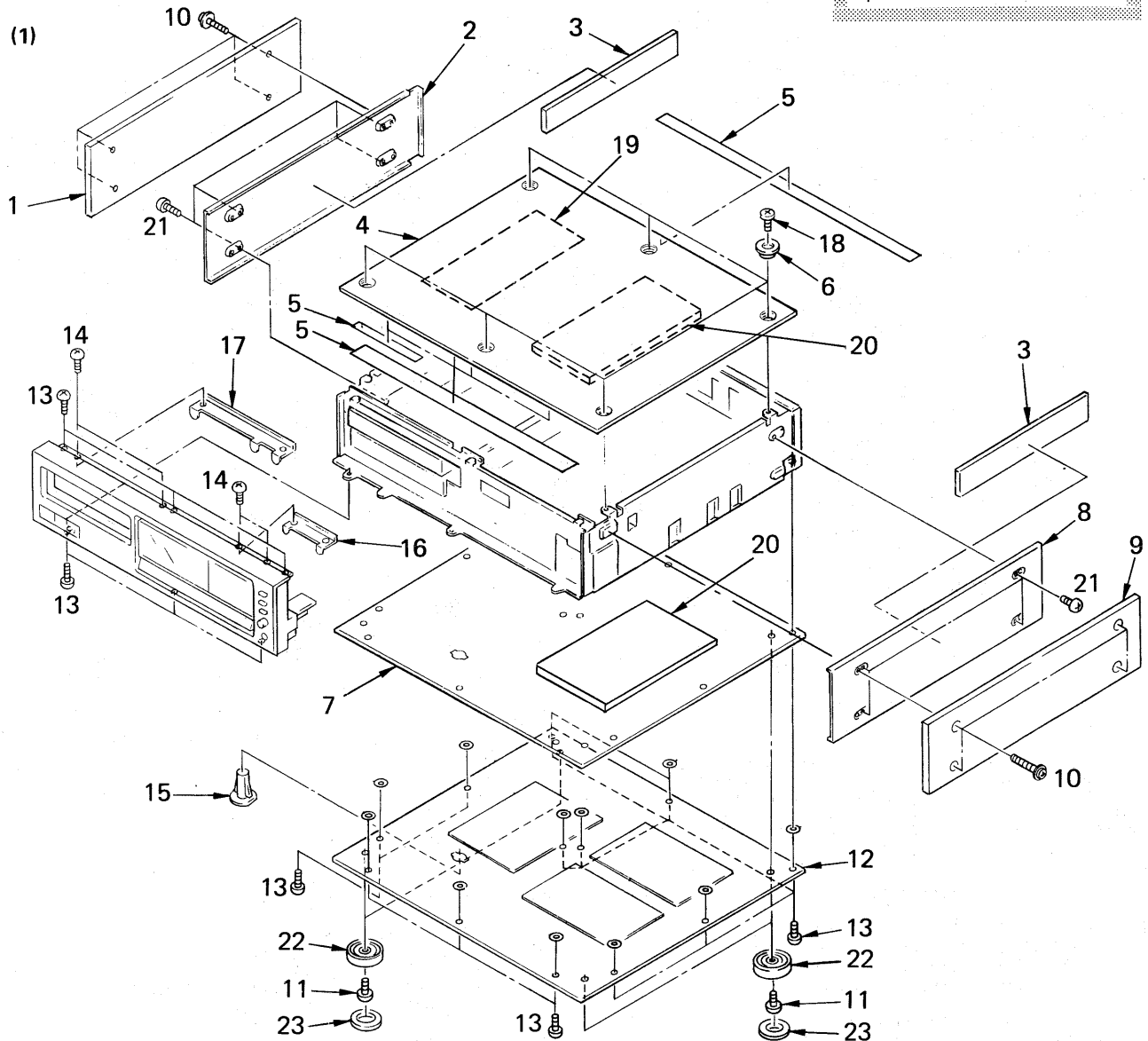
NOTE:

- The mechanical parts with no reference number in the exploded views are not supplied.
- The construction parts of an assembled part are indicated with a collation number in the remark column.
- Items marked "★" are not stocked since they are seldom required for routine service. Some delay should be anticipated when ordering these items.

- Due to standardization, parts with part number suffix -XX and -X may be different from the parts specified in the components used on the set.
- Color Indication of Appearance Parts  
Example:  
(RED) ... KNOB, BALANCE (WHITE)  
↑ Cabinet's Color                      ↑ Parts' Color

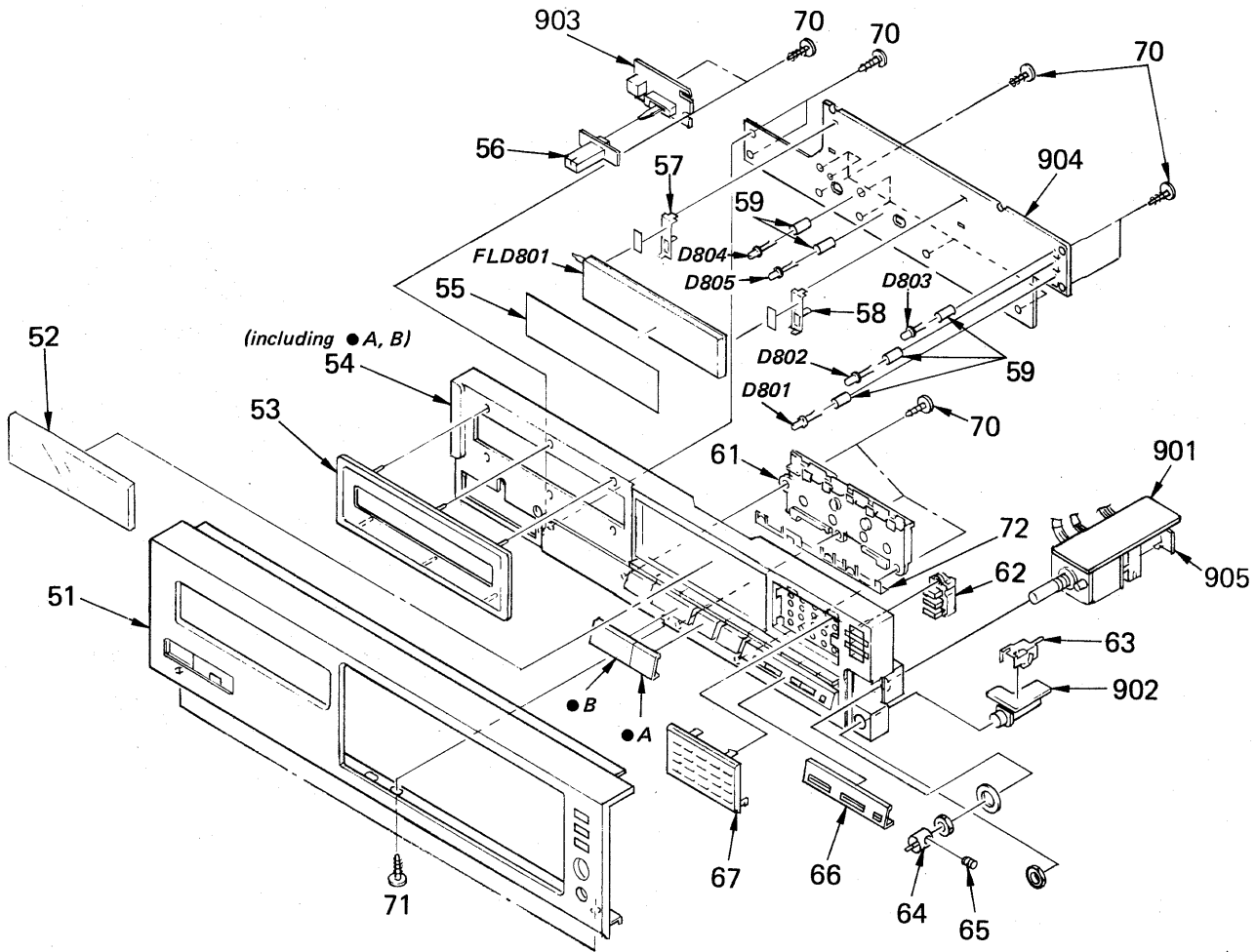
The components identified by shading and mark  are critical for safety. Replace only with part number specified.

Les composants identifiés par une trame et une marque  sont critiques pour la sécurité. Ne les remplacer que par une pièce portant le numéro spécifié.



No.	Part No.	Description	Remarks	No.	Part No.	Description	Remarks
1	X-4922-509-1 X-4922-538-1	(US,Canadian)...PLATE (LEFT) ASSY, SIDE (AEP).....PLATE (LEFT) ASSY, SIDE		9	X-4922-510-1 X-4922-539-1	(US,Canadian)...PLATE (RIGHT) ASSY, SIDE (AEP).....PLATE (RIGHT) ASSY, SIDE	
2	*4-922-551-01 *4-922-595-01	(US,Canadian)...PLATE (LEFT), SIDE (AEP,UK).....PLATE (LEFT), SIDE		10	4-885-979-11	(US,Canadian,AEP)...SCREW (4X25)	
3	*4-923-544-01	CUSHION (C)		11	7-682-666-09	SCREW +PS 4X20	
4	4-922-575-11 4-922-575-21	(US,Canadian,AEP)...PLATE, TOP (UK).....PLATE, TOP		12	4-922-578-21	PLATE, BOTTOM	
5	3-831-441-XX *4-922-933-01	(AEP,UK)...TAPE (US).....SPACER		13	3-703-685-21	SCREW (+BV 3X8)	
6	4-922-535-01	RING, ORNAMENTAL		14	7-621-259-35	SCREW +BVTT 2.6X5 (S)	
7	4-922-578-31	PLATE, BOTTOM		15	*4-922-553-01	PLATE, LOCK, TRANSPORT	
8	*4-922-550-01 *4-923-596-01	(US,Canadian)...PLATE (RIGHT), SIDE (AEP,UK).....PLATE (RIGHT), SIDE		16	*4-923-505-01	RETAINER (B), PANEL	
				17	*4-923-519-01	RETAINER (A), PANEL	
				18	7-682-546-09	SCREW +B 3X5	
				19	*4-913-188-01	FELT (C), ACOUSTIC ABSORBENT	
				20	*4-913-189-01	FELT (B), ACOUSTIC ABSORBENT	
				21	4-847-802-00	(UK)...SCREW	
				22	4-922-544-01	BASE, FOOT	
				23	4-922-543-01	FOOT	

(2)



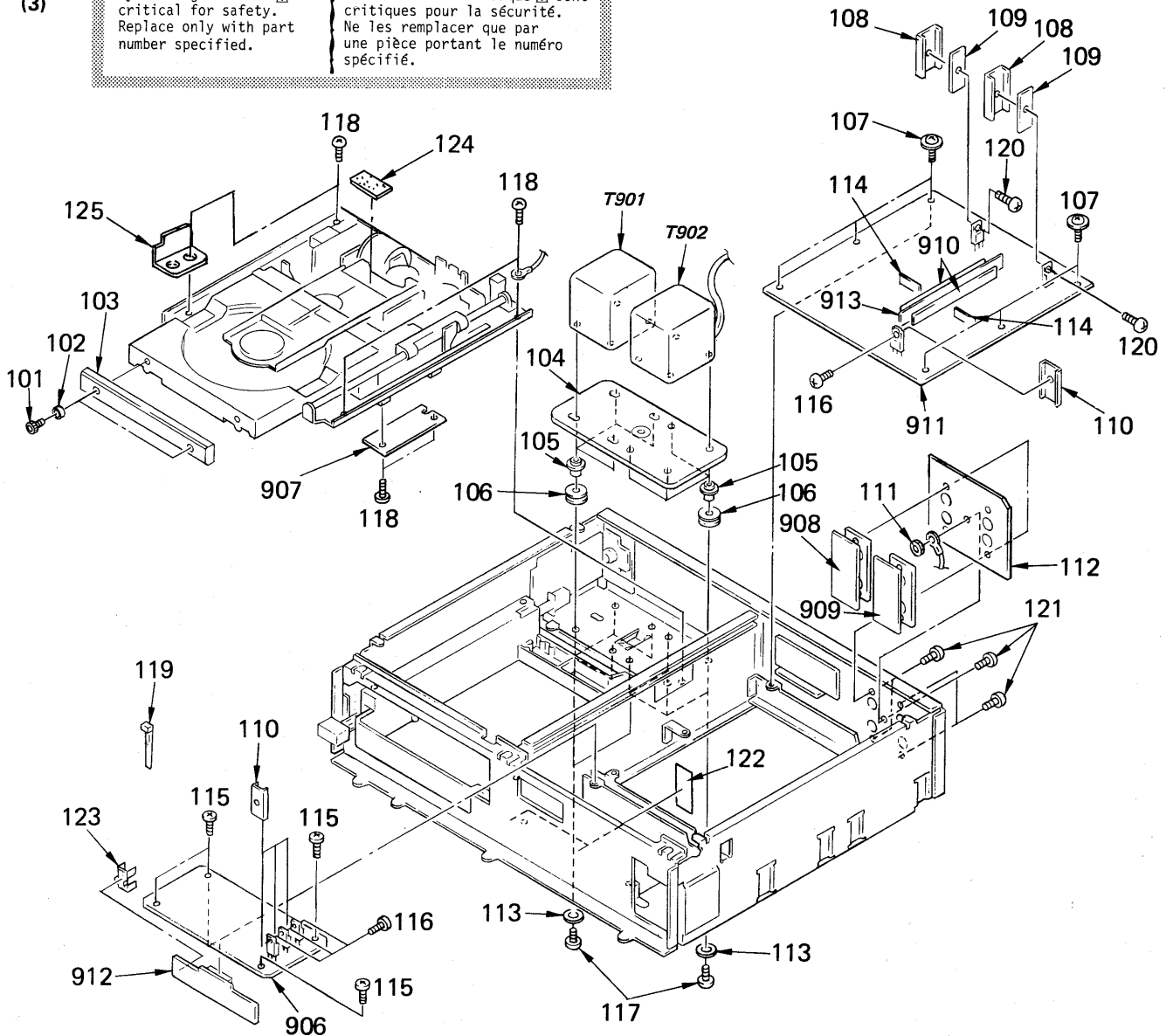
No.	Part No.	Description	Remarks	No.	Part No.	Description	Remarks
51	X-4922-523-1	(AEP).....FRONT PANEL ASSY		61	4-922-559-01	BASE, SUB	
	X-4922-531-1	(US,Canadian)...FRONT PANEL ASSY		62	X-4922-518-1	BUTTON (MODE) ASSY	
	X-4922-540-1	(UK).....FRONT PANEL ASSY		63	4-922-579-01	PLATE, GROUND (HP)	
52	4-923-516-01	PLATE, INDICATION		64	4-923-536-01	KNOB, VOLUME	
53	4-922-558-01	(AEP,UK).....COVER		65	3-701-505-00	SET SCREW, DOUBLE POINT 3X3	
	4-922-558-11	(US,Canadian)...COVER		66	4-923-509-01	ESCUTCHEON, SERCH BUTTON	
54	X-4922-532-1	(US,Canadian)...PANEL BASE ASSY		67	A-4605-181-A	KEY ASSY, 20	
	X-4922-534-1	(AEP,UK).....PANEL BASE ASSY		70	7-685-134-19	SCREW +BTP 2.6X8 TYPE2 N-S	
55	4-923-502-01	FILTER		71	7-685-646-79	SCREW +BVTP 3X8 TYPE2 N-S	
56	4-887-131-00	KNOB, SLIDE SWITCH		72	4-923-515-01	PLATE, GROUND	
57	*4-922-524-01	HOLDER (LEFT)		901	*1-624-562-11	PC BOARD, VOLUME	
58	*4-922-523-01	HOLDER (RIGHT)		902	*1-624-548-11	PC BOARD, HEADPHONE	
59	*4-923-532-01	SPACER, LED		903	*1-624-547-11	PC BOARD, REMOCOM SENSOR (B)	
				904	*A-4655-059-A	MOUNTED PCB, DISPLAY	
				905	*1-624-564-11	PC BOARD, MOTOR	
				FLD801	1-519-427-11	INDICATOR TUBE, FLUORESCENT	



(3)

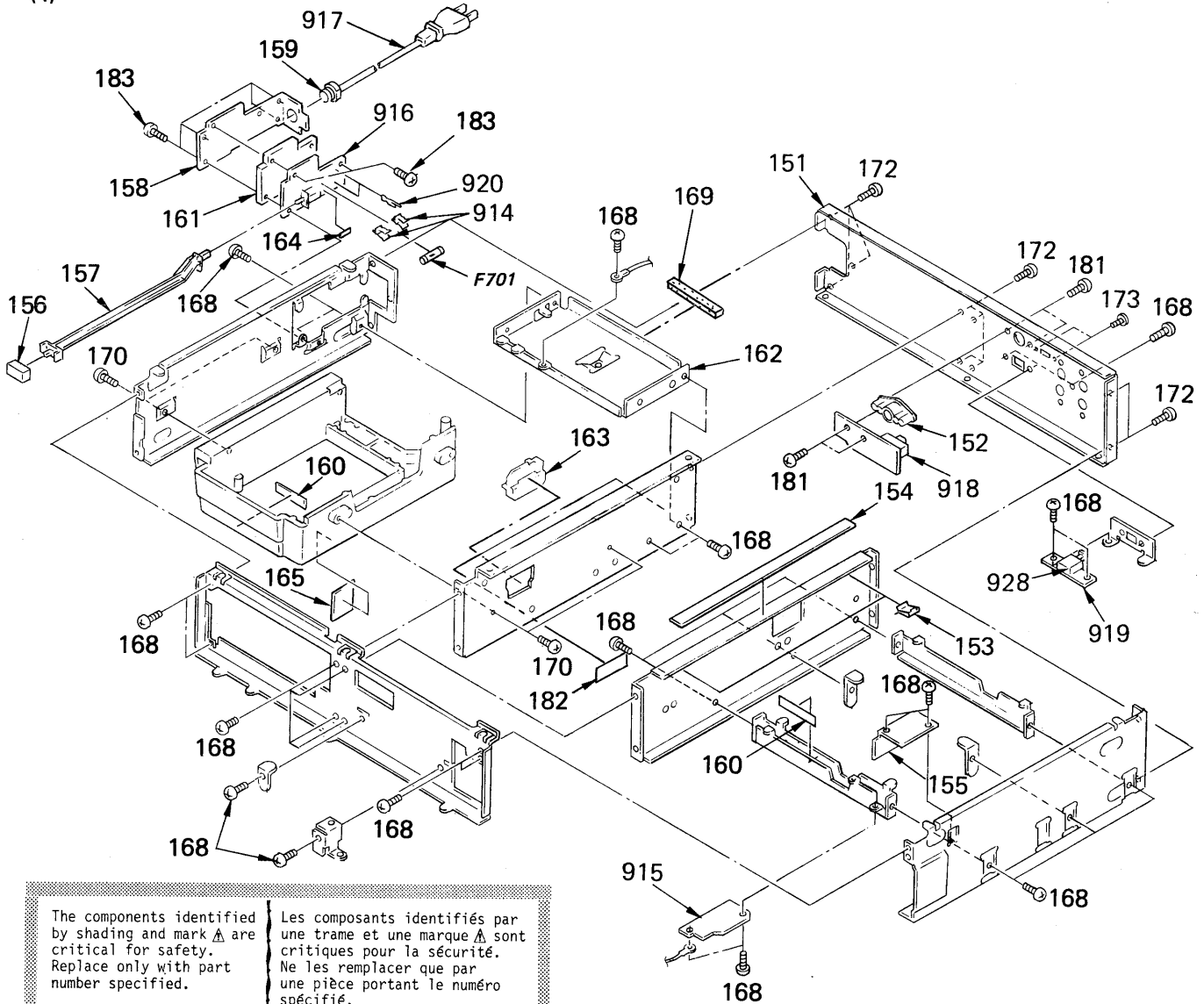
The components identified by shading and mark **A** are critical for safety. Replace only with part number specified.

Les composants identifiés par une trame et une marque **A** sont critiques pour la sécurité. Ne les remplacer que par une pièce portant le numéro spécifié.



No.	Part No.	Description	Remarks	No.	Part No.	Description	Remarks
101	7-683-412-05	BOLT, HEXAGON SOCKET 2.6X6		118	7-685-647-79	SCREW +BVTP 3X10 TYPE2 SLIT	
102	4-884-635-00	BASE, ORNAMENTAL		119	3-691-877-01	BAND, BINDING	
103	4-922-564-03 4-922-564-14	(AEP,UK).....PANEL, LOADING (US,Canadian)...PANEL, LOADING		120	7-682-148-15	SCREW, TR	
104	*4-922-563-01	BASE, TRANSFORMER		121	3-703-685-21	SCREW (+BV 3X8)	
105	*4-923-542-01	COLLAR		122	3-831-441-XX	CUSHION (B)	
106	*4-888-798-00	BUSHING, RUBBER		123	*4-922-525-01	HEAT SINK	
107	X-4908-910-1	SCREW ASSY (+ BVTT)		124	*4-912-552-01	SHEET (B), DT PS	
108	*4-886-555-00	HEAT SINK		125	*4-923-564-01	REINFORCEMENT	
109	4-870-272-00	HEAT SINK		906	*A-4619-303-A	MOUNTED PCB, DIGITAL SERVO	
110	*3-309-144-01	HEAT SINK		907	*1-624-563-11	PC BOARD, TRANSLATION	
111	7-684-023-04	N 3, TYPE 2		908	*1-624-561-11	PC BOARD, VAR LINE OUTPUT	
112	*4-922-540-01	BRACKET, TERMINAL		909	*1-624-560-11	PC BOARD, FIXED LINE OUTPUT	
113	7-688-005-01	W 5, SMALL		910	*1-566-940-11	BUS BAR 6P	
114	*4-923-529-01	PLATE, SHIELD		911	*A-4651-178-A	MOUNTED PCB, AUDIO	
115	7-682-548-09	SCREW (3X8)		913	*1-566-959-11	BAR, BUS	
116	7-682-147-15	SCREW, TR		T901	<b>A</b> .1-449-078-11	(US,Canadian)...TRANSFORMER, POWER	
117	7-682-552-09	SCREW +B 3X16		T901	<b>A</b> .1-449-079-11	(AEP,UK).....TRANSFORMER, POWER	
				T902	<b>A</b> .1-449-081-11	(US,Canadian)...TRANSFORMER, POWER	
				T902	<b>A</b> .1-449-082-11	(AEP,UK).....TRANSFORMER, POWER	

(4)

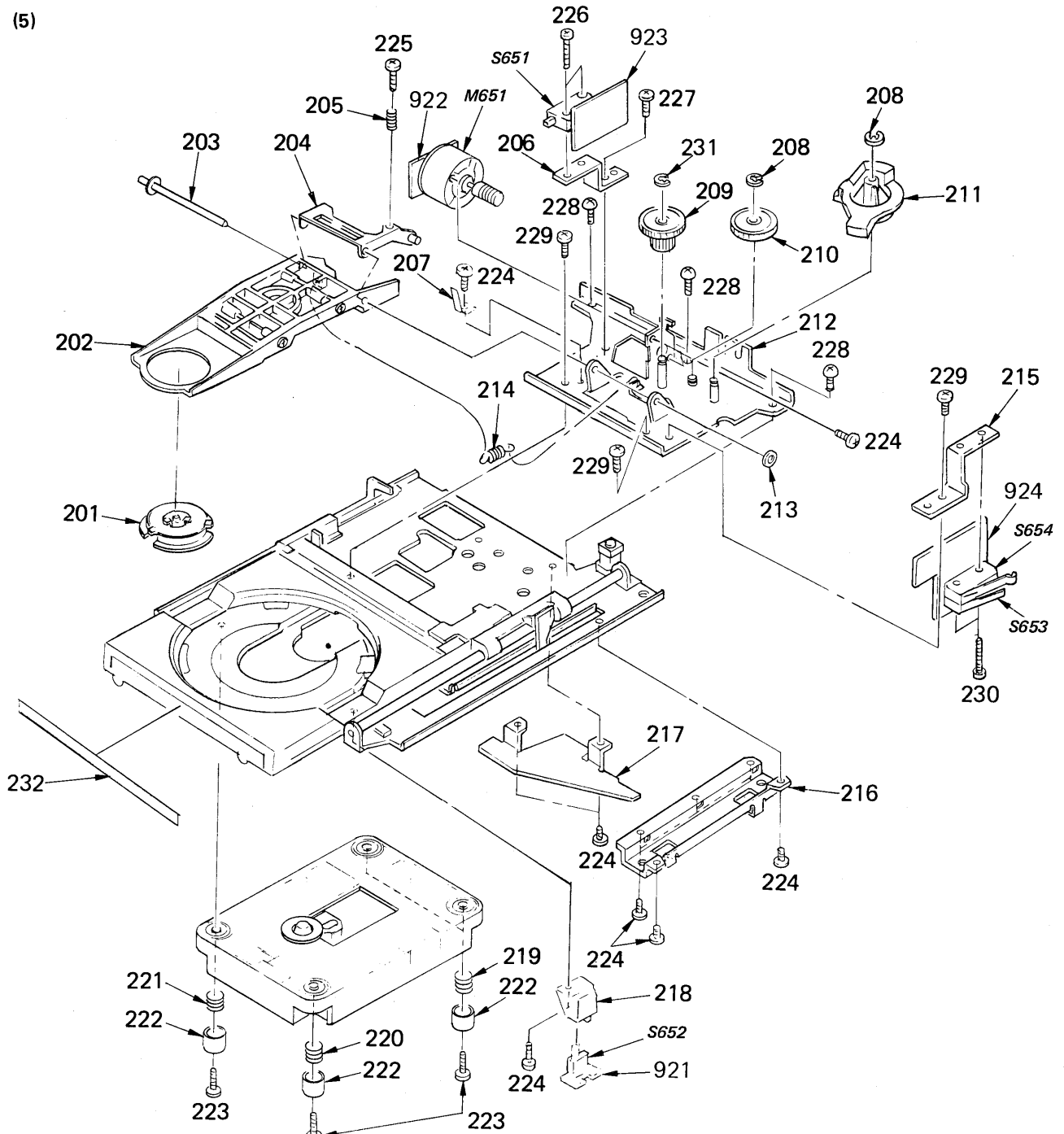


The components identified by shading and mark  $\Delta$  are critical for safety. Replace only with part number specified.

Les composants identifiés par une trame et une marque  $\Delta$  sont critiques pour la sécurité. Ne les remplacer que par une pièce portant le numéro spécifié.

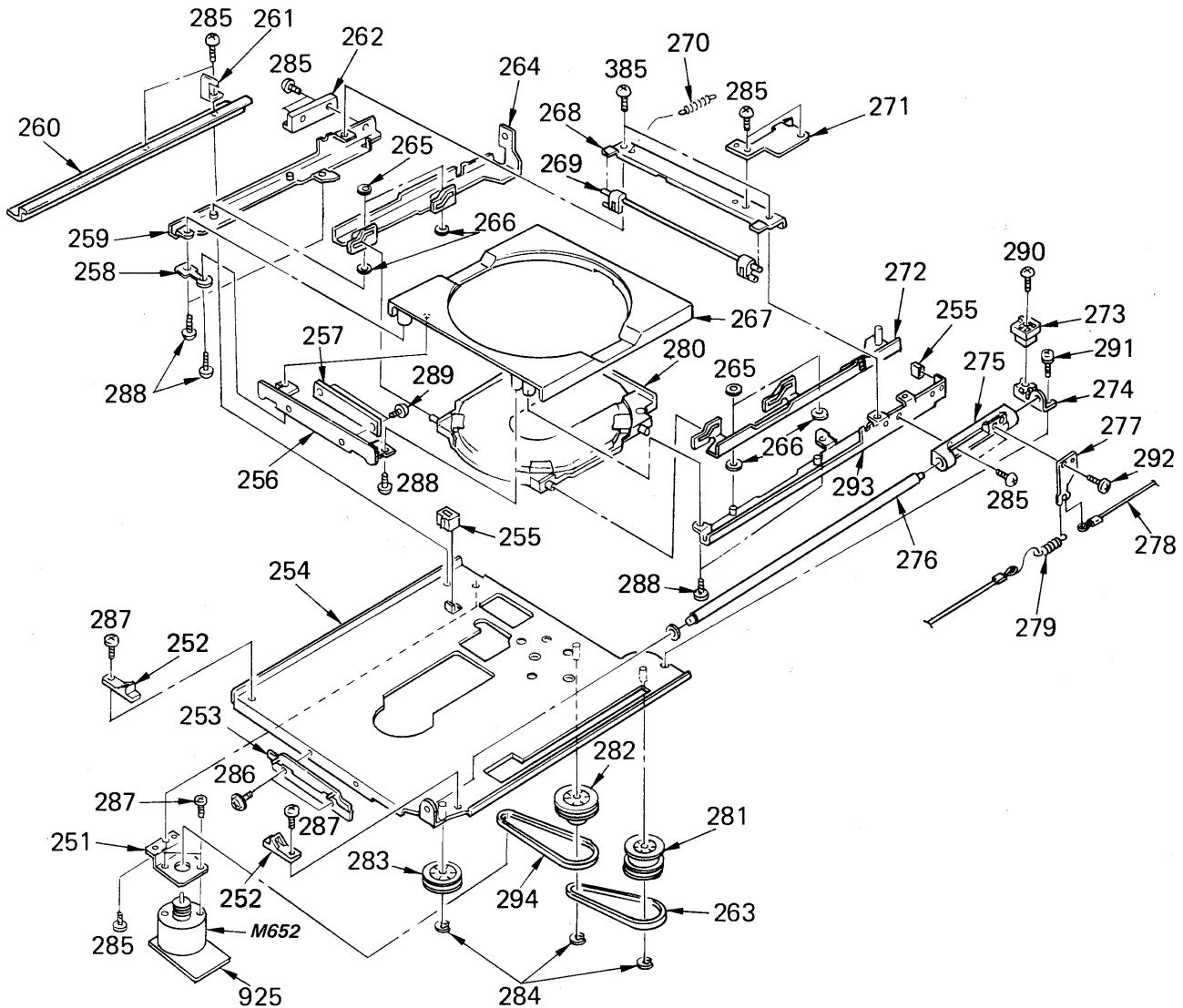
No.	Part No.	Description	Remarks	No.	Part No.	Description	Remarks
151	*4-922-503-12 *4-922-503-22 *4-922-503-32 *4-922-503-42	(US).....PANEL, BACK (Canadian)...PANEL, BACK (UK).....PANEL, BACK (AEP).....PANEL, BACK		165	*4-923-531-02	DUMPER (B)	
152	*4-913-152-01	ESCUTCHEON, D/O		168	7-682-548-09	SCREW (3X8)	
153	4-922-580-02	SPRING (TOP PLATE)		169	4-923-579-01	CUSHION (D)	
154	*4-923-538-01	CUSHION (A)		170	7-685-647-79	SCREW +BVTP 3X10 TYPE2 SLIT	
155	*4-922-534-01	PLATE, SHIELD		172	3-703-685-21	SCREW (+BV 3X8)	
156	4-923-520-01	KNOB, POWER		173	7-621-775-10	SCREW, +B 2.6X4, PAWL	
157	*4-923-521-01	LEVER, POWER SWITCH		181	7-685-646-79	SCREW +BVTP 3X8 TYPE2 N-S	
158	*4-922-561-11 *4-922-561-21	(US,Canadian)...BRACKET (POWER) (AEP,UK).....BRACKET (POWER)		182	*4-923-543-01	CUSHION (B)	
159	2-231-019-00 4-916-783-01	(AEP,UK).....CLAMPER, CORD (US,Canadian)...BUSHING, CORD		183	7-685-870-01	SCREW +BVTT 3X5 (S)	
160	*4-923-530-01	DUMPER (A)		912	*1-624-556-11	PC BOARD, (S) SERVO	
161	*4-922-560-01	COVER, INSULATING		914	1-533-183-11	HOLDER, FUSE	
162	*4-922-562-02	BRACKET (TRANSFORMER)		915	*1-624-565-11	PC BOARD, HEADPHONE ANPLIFIER	
163	*4-922-552-01	HOLDER (B), HARNESS		916	*1-624-557-11	PC BOARD, POWER	
164	3-701-946-22 *3-703-948-13	(US,Canadian)...LABEL, FUSE (AEP,UK).....LABEL, FUSE		917	$\Delta$ .1-555-795-00 $\Delta$ .1-556-035-00 $\Delta$ .1-559-479-11	(AEP).....CORD, POWER (UK).....CORD, POWER (US,Canadian)...CORD, POWER	
				918	*1-624-558-11	PC BOARD, COAX D/O	
				919	*1-624-559-11	PC BOARD, OPT D/O	
				920	*1-535-688-11	TERMINAL	
				928	1-464-878-11	TRANSMITTER UNIT, RAY	
				F701	$\Delta$ .1-532-215-00 $\Delta$ .1-532-824-11	(AEP,UK).....FUSE, TIME-LAG (TO.8A) (US,Canadian)...FUSE, GLASS TUBE (1.6A)	

(5)



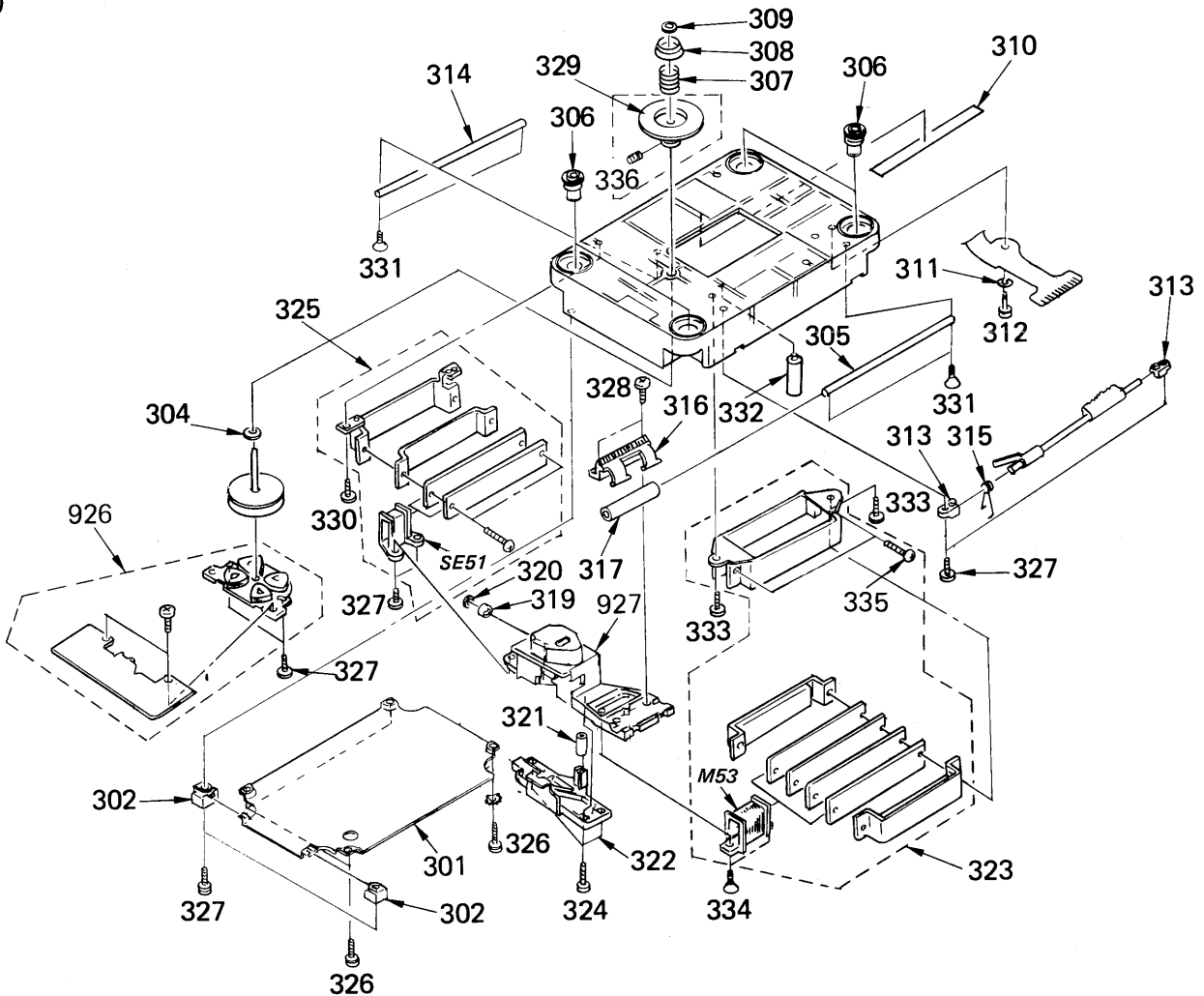
No.	Part No.	Description	Remarks	No.	Part No.	Description	Remarks
201	A-4675-235-A	PULLEY ASSY, PRESS		223	7-686-529-01	SCREW, TOTSU PSW 3X10	
202	*X-4912-509-1	ARM ASSY, C		224	7-621-775-00	SCREW +B 2.6X3	
203	4-908-513-01	SHAFT, FULCRUM, C ARM		225	7-621-775-80	SCREW +B 2.6X16	
204	X-4908-513-1	PLATE ASSY, ADJUSTMENT, ARM		226	7-685-864-01	SCREW +BVTT 2.6X10 (S)	
205	4-908-559-01	SPRING, COMPRESSION		227	7-682-646-09	SCREW +PS 3X5	
206	*4-912-543-01	BRACKET (D), SWITCH		228	7-685-870-01	SCREW +BVTT 3X5 (S)	
207	*4-912-569-11	PLATE (B), GROUND		229	7-682-544-09	SCREW +B 3X3	
208	7-624-106-04	STOP RING 3.0, TYPE -E		230	7-621-257-85	SCREW +P 2.3X14	
209	4-912-514-01	GEAR (A)		231	7-624-109-04	STOP RING 5.0, TYPE -E	
210	4-912-525-01	GEAR (B)		232	*4-912-589-01	CUSHION	
211	4-912-528-01	GEAR, CAM		921	*1-624-378-11	PC BOARD, OUT SW	
212	*X-4912-503-1	CHASSIS ASSY, SUB		922	*1-624-379-11	PC BOARD, C.MOTOR	
213	4-912-593-01	WASHER		923	*1-624-377-11	PC BOARD, IN SW	
214	4-908-555-01	SPRING, TENSION (C ARM)		924	*1-624-375-11	PC BOARD, L/C SW	
215	*4-912-524-01	BRACKET (A), SWITCH		925	*1-624-376-11	PC BOARD, L.MOTOR	
216	*4-912-580-01	COVER, ROPE		M651	X-4902-019-1	MOTOR ASSY, CHUCKING	
217	*4-908-597-01	COVER, BELT		M652	A-4608-303-A	MOTOR ASSY, LOADING	
218	*4-912-588-01	HOLDER (OUT SW)		S651	1-554-205-00	SWITCH, PUSH (LOAD IN DET)	
219	4-912-577-01	SPRING (H), COMPRESSION		S652	1-571-300-11	SWITCH, ROTARY (LOAD OUT DET)	
220	4-912-575-01	SPRING (F), COMPRESSION		S653	1-553-636-00	SWITCH, MICRO (MOTOR SELECT)	
221	4-912-576-01	SPRING (C), COMPRESSION		S654	1-570-447-11	SWITCH, MICRO (CHUCKING)	
222	4-912-578-01	HOLDER, SP					

(6)



No.	Part No.	Description	Remarks	No.	Part No.	Description	Remarks
251	*4-908-523-01	BRACKET, MOTOR		274	*4-912-519-01	RETAINER (RIGHT), SHAFT	
252	4-908-540-01	GUIDE, ASSIST		275	4-912-538-01	BEARING (RIGHT), GUIDE	
253	*X-4912-508-1	BRACKET ASSY, TABLE		276	4-912-521-11	SHAFT (RIGHT), GUIDE	
254	*X-4912-516-1	CHASSIS ASSY, MECHANICAL		277	*4-912-520-01	BRACKET, ROPE	
255	4-887-175-00	RUBBER, STOPPER		278	4-912-517-01	ROPE	
256	*4-912-579-01	BRACKET (LP)		279	4-908-553-01	SPRING, COMPRESSION (ROPE)	
257	*4-912-544-01	PLATE, FIXED		280	*X-4912-515-1	PLATE ASSY, DISK	
258	*4-912-568-01	PLATE (A), GROUND		281	4-908-525-01	PULLEY (C)	
259	*X-4912-504-1	BRACKET (LEFT) ASSY, TABLE		282	4-908-519-01	PULLEY (A)	
260	*4-912-529-01	GUIDE, LOADING		283	4-908-524-01	PULLEY (B)	
261	*4-912-527-01	RETAINER, TABLE		284	7-624-106-04	STOP RING 3.0, TYPE -E	
262	*4-912-534-01	GUIDE, SUB		285	7-685-870-01	SCREW +BVTT 3X5 (S)	
263	3-671-077-00	BELT, FF		286	7-621-759-60	+PSW, 2.6X8	
264	*4-912-583-01	SLIDER (CAM LEFT)		287	7-621-775-00	SCREW +B 2.6X3	
265	3-558-708-21	WASHER, STOPPER		288	7-685-646-79	SCREW +BVTP 3X8 TYPE2 SLIT	
266	3-701-439-11	WASHER		289	7-621-259-35	SCREW +BVTT 2.6X5 (S)	
267	*4-912-585-01	TABLE, DISK		290	7-682-152-01	SCREW +BVTT 3X16 (S)	
268	*4-912-532-01	REINFORCEMENT, TABLE		291	7-682-646-09	SCREW +PS 3X5	
269	4-908-534-01	LEVER, FUNCTION		292	7-685-132-19	SCREW +BTP 2.6X5 TYPE2 N-S	
270	4-912-516-01	SPRING (DISK CAM), TENSION		293	*X-4912-505-1	BRACKET (RIGHT) ASSY, TABLE	
271	*4-912-522-01	PLATE, SW		294	4-908-591-01	BELT, DRIVING	
272	*X-4912-514-1	SLIDER (CAM RIGHT) ASSY		295	*4-912-587-01	CUSHION	
273	*4-912-513-01	STOPPER, TABLE					

(7)



No.	Part No.	Description	Remarks	No.	Part No.	Description	Remarks
301	*4-921-829-01	COVER, MECHANICAL BASE		322	4-921-827-01	COVER, SLIDE BASE	
302	*4-921-823-01	HOLDER		323	A-4608-347-A	MOTOR ASSY	
303	7-623-421-07	LW 2.6, TYPE B		324	7-621-255-10	SCREW +P 2X3	
304	3-701-439-21	WASHER		325	A-4675-229-A	SENSOR ASSY	
305	4-921-821-01	SHAFT (B), SLIDE		326	7-621-284-20	SCREW +P 2.6X6	
306	4-921-816-01	INSULATOR		327	7-621-773-95	SCREW +B 2.6X6	
307	4-908-213-01	SPRING, COMPRESSION		328	7-621-775-10	SCREW +B 2.6X4	
308	4-915-217-01	CAP, CENTERING		329	*X-4908-219-1	PULLEY ASSY, DISK	
309	3-558-708-21	WASHER, STOPPER		330	7-682-545-09	SCREW +B 3X4	
310	9-911-838-XX	CUSHION		331	7-682-248-09	SCREW +K 3X8	
311	7-688-001-01	W 2, SMALL		332	X-4908-221-1	CAM ASSY, LOCK	
312	7-628-253-10	SCREW +PS 2X5		333	7-682-546-09	SCREW +B 3X5	
313	4-908-220-01	HOLDER, ROD		334	7-621-559-30	SCREW +K 2.6X5	
314	4-921-822-01	SHAFT (A), SLIDE		335	7-621-259-70	SCREW +P 2.6X12	
315	4-921-817-01	SPRING		336	7-621-734-09	SET-SCT, HEX. 2.6X3	
316	4-921-826-01	HOLDER, BEARING		926	A-4675-231-A	STATOR ASSY	
317	4-908-221-01	BEARING		927	▲8-848-083-01	PICKUP, OPTICAL KSS-190A	
319	4-908-208-01	BEARING (NO-FLANGE), BALL		M53	1-422-197-21	COIL (DRIVE)	
320	7-624-105-04	STOP RING 2.3, TYPE -E		SE51	1-422-198-21	COIL (SENSOR)	
321	*4-921-819-01	TUBE, RUBBER					

The components identified by shading and mark ▲ are critical for safety. Replace only with part number specified.

Les composants identifiés par une trame et une marque ▲ sont critiques pour la sécurité. Ne les remplacer que par une pièce portant le numéro spécifié.

# SECTION 5 ELECTRICAL PARTS LIST

**NOTE:**

- Due to standardization, replacements in the parts list may be different from the parts specified in the diagrams or the components used on the set.
- Items marked "★" are not stocked since they are seldom required for routine service. Some delay should be anticipated when ordering these items.
- If there are two or more same circuits in a set such as a stereophonic machine, only typical circuit parts may be indicated and capacitors and resistors in other same circuits may be omitted.

**CAPACITORS:**

MF:  $\mu$ F, PF:  $\mu$ MF.

**RESISTORS**

- All resistors are in ohms.
- F: nonflammable

**COILS**

- MMH: mH, UH:  $\mu$ H

**SEMICONDUCTORS**

In each case, U:  $\mu$ , for example:  
 UA...:  $\mu$ A..., UPA...:  $\mu$ PA...,  
 UPC...:  $\mu$ PC, UPD...:  $\mu$ PD...

The components identified by shading and mark  $\Delta$  are critical for safety.  
 Replace only with part number specified.

Les composants identifiés par une trame et une marque  $\Delta$  sont critiques pour la sécurité.  
 Ne les remplacer que par une pièce portant le numéro spécifié.

Ref.No.	Part No.	Description
901	*1-624-562-11	PC BOARD, VOLUME
902	*1-624-548-11	PC BOARD, HEADPHONE
903	*1-624-547-11	PC BOARD, REMOCOM SENSOR (B)
904	*A-4655-059-A	MOUNTED PCB, DISPLAY
905	*1-624-564-11	PC BOARD, MOTOR
906	*A-4619-303-A	MOUNTED PCB, DIGITAL SERVO
907	*1-624-563-11	PC BOARD, TRANSLATION
908	*1-624-561-11	PC BOARD, VAR LINE OUTPUT
909	*1-624-560-11	PC BOARD, FIXED LINE OUTPUT
910	*1-566-940-11	BUS BAR 6P
911	*A-4651-178-A	MOUNTED PCB, AUDIO
912	*1-624-556-11	PC BOARD, (S) SERVO
913	*1-566-959-11	BAR, BUS
914	1-533-183-11	HOLDER, FUSE
915	*1-624-565-11	PC BOARD, HEADPHONE ANPLIFIER
916	*1-624-557-11	PC BOARD, POWER
917	$\Delta$ .1-555-795-00	(AEP).....CORD, POWER
	$\Delta$ .1-556-035-00	(UK).....CORD, POWER
	$\Delta$ .1-559-479-11	(US,Canadian)...CORD, POWER
918	*1-624-558-11	PC BOARD, COAX D/O
919	*1-624-559-11	PC BOARD, OPT D/O
920	*1-535-688-11	TERMNAL
921	*1-624-378-11	PC BOARD, OUT SW
922	*1-624-379-11	PC BOARD, C.MOTOR
923	*1-624-377-11	PC BOARD, IN SW
924	*1-624-375-11	PC BOARD, L/C SW
925	*1-624-376-11	PC BOARD, L.MOTOR
926	A-4675-231-A	STATOR ASSY
927	$\Delta$ .8-848-083-01	PICKUP, OPTICAL KSS-190A
928	1-464-878-11	TRANSMITTER UNIT, RAY
C102	1-126-101-11	ELECT 100MF 20% 10V
C106	1-123-332-00	ELECT 47MF 20% 16V
C108	1-136-159-00	FILM 0.033MF 5% 50V
C110	1-123-330-00	ELECT 22MF 20% 25V
C111	1-136-159-00	FILM 0.033MF 5% 50V
C112	1-136-153-00	FILM 0.01MF 5% 50V
C113	1-123-330-00	ELECT 22MF 20% 25V
C115	1-130-475-00	MYLAR 0.0022MF 5% 50V
C116	1-130-481-00	MYLAR 0.0068MF 5% 50V
C117	1-131-345-00	TANTALUM 0.47MF 10% 35V
C151	1-161-494-00	CERAMIC 0.022MF 25V
C152	1-161-494-00	CERAMIC 0.022MF 25V
C153	1-124-477-11	ELECT 47MF 20% 16V
C154	1-124-477-11	ELECT 47MF 20% 16V
C155	1-161-375-00	CERAMIC 0.0022MF 30% 16V

Ref.No.	Part No.	Description
C156	1-161-375-00	CERAMIC 0.0022MF 30% 16V
C201	1-124-478-11	ELECT 100MF 20% 25V
C202	1-124-478-11	ELECT 100MF 20% 25V
C203	1-136-165-00	FILM 0.1MF 5% 50V
C204	1-136-165-00	FILM 0.1MF 5% 50V
C205	1-130-471-00	MYLAR 0.001MF 5% 50V
C206	1-130-471-00	MYLAR 0.001MF 5% 50V
C207	1-136-165-00	FILM 0.1MF 5% 50V
C208	1-130-481-00	MYLAR 0.0068MF 5% 50V
C209	1-136-168-00	FILM 0.18MF 5% 50V
C210	1-136-165-00	FILM 0.1MF 5% 50V
C211	1-136-165-00	FILM 0.1MF 5% 50V
C212	1-124-478-11	ELECT 100MF 20% 25V
C213	1-124-478-11	ELECT 100MF 20% 25V
C215	1-136-169-00	FILM 0.22MF 5% 50V
C216	1-136-159-00	FILM 0.033MF 5% 50V
C217	1-136-165-00	FILM 0.1MF 5% 50V
C218	1-123-382-00	ELECT 3.3MF 20% 50V
C219	1-136-159-00	FILM 0.033MF 5% 50V
C220	1-136-165-00	FILM 0.1MF 5% 50V
C221	1-130-479-00	MYLAR 0.0047MF 5% 50V
C222	1-123-380-00	ELECT 1MF 20% 50V
C223	1-123-369-00	ELECT 4.7MF 20% 25V
C224	1-123-332-00	ELECT 47MF 20% 16V
C225	1-130-471-00	MYLAR 0.001MF 5% 50V
C226	1-162-282-31	CERAMIC 100PF 10% 50V
C227	1-123-330-00	ELECT 22MF 20% 25V
C229	1-136-153-00	FILM 0.01MF 5% 50V
C230-1	1-123-330-00	ELECT 22MF 20% 25V
C230-2	1-124-443-00	ELECT 100MF 20% 10V
C231	1-123-330-00	ELECT 22MF 20% 25V
C303	1-136-153-00	FILM 0.01MF 5% 50V
C304	1-131-345-00	TANTALUM 0.47MF 10% 35V
C305	1-136-159-00	FILM 0.033MF 5% 50V
C306	1-123-330-00	ELECT 22MF 20% 25V
C351	1-124-479-11	ELECT 330MF 20% 25V
C352	1-130-475-00	MYLAR 0.0022MF 5% 50V
C353	1-123-330-00	ELECT 22MF 20% 25V
C354	1-136-165-00	FILM 0.1MF 5% 50V
C355	1-136-165-00	FILM 0.1MF 5% 50V
C356	1-136-165-00	FILM 0.1MF 5% 50V
C357	1-136-165-00	FILM 0.1MF 5% 50V
C360	1-136-165-00	FILM 0.1MF 5% 50V
C401	1-162-179-11	CERAMIC 0.1MF 50V
C402	1-107-206-00	MICA 15PF 5% 500V

Ref.No.	Part No.	Description			
C403	1-107-336-11	MICA	13PF	50%	500V
C405	1-124-628-11	ELECT	220MF	20%	100V
C406	1-124-628-11	ELECT	220MF	20%	100V
C407	1-126-103-11	ELECT	470MF	20%	16V
C408	1-126-103-11	ELECT	470MF	20%	16V
C409	1-162-179-11	CERAMIC	0.1MF		50V
C411	1-162-179-11	CERAMIC	0.1MF		50V
C412	1-162-179-11	CERAMIC	0.1MF		50V
C413	1-123-380-00	ELECT	1MF	20%	50V
C415	1-123-382-00	ELECT	3.3MF	20%	50V
C416	1-162-179-11	CERAMIC	0.1MF		50V
C417	1-162-179-11	CERAMIC	0.1MF		50V
C418	1-162-179-11	CERAMIC	0.1MF		50V
C419	1-162-179-11	CERAMIC	0.1MF		50V
C420	1-162-179-11	CERAMIC	0.1MF		50V
C421	1-123-382-00	ELECT	3.3MF	20%	50V
C422	1-104-317-11	POLYSTYRENE	180PF	5%	125V
C424	1-162-179-11	CERAMIC	0.1MF		50V
C425	1-162-179-11	CERAMIC	0.1MF		50V
C426	1-107-334-11	MICA	5PF	0.5PF	500V
C427	1-136-593-11	FILM	0.0033MF	1%	100V
C428	1-136-593-11	FILM	0.0033MF	1%	100V
C429	1-162-179-11	CERAMIC	0.1MF		50V
C430	1-162-179-11	CERAMIC	0.1MF		50V
C431	1-136-592-11	FILM	0.003MF	1%	100V
C432	1-107-335-11	MICA	180PF	50%	500V
C433	1-107-210-00	MICA	22PF	5%	500V
C434	1-136-590-11	FILM	10MF	10%	200V
C436	1-136-594-11	FILM	0.018MF	1%	100V
C445	1-126-048-11	ELECT	10MF	20%	50V
C446	1-126-048-11	ELECT	10MF	20%	50V
C447	1-162-191-31	CERAMIC	2.2PF	10%	50V
C448	1-162-191-31	CERAMIC	2.2PF	10%	50V
C449	1-104-300-11	POLYSTYRENE	820PF	5%	50V
C450	1-136-583-11	FILM	1MF	10%	200V
C460	1-162-179-11	CERAMIC	0.1MF		50V
C461	1-162-179-11	CERAMIC	0.1MF		50V
C462	1-102-508-00	CERAMIC	10PF	0.5PF	50V
C509	1-162-179-11	CERAMIC	0.1MF		50V
C511	1-162-179-11	CERAMIC	0.1MF		50V
C512	1-162-179-11	CERAMIC	0.1MF		50V
C513	1-123-380-00	ELECT	1MF	20%	50V
C515	1-123-382-00	ELECT	3.3MF	20%	50V
C516	1-162-179-11	CERAMIC	0.1MF		50V
C517	1-162-179-11	CERAMIC	0.1MF		50V
C518	1-162-179-11	CERAMIC	0.1MF		50V
C519	1-162-179-11	CERAMIC	0.1MF		50V
C520	1-162-179-11	CERAMIC	0.1MF		50V
C521	1-123-382-00	ELECT	3.3MF	20%	50V
C522	1-104-317-11	POLYSTYRENE	180PF	5%	125V
C524	1-162-179-11	CERAMIC	0.1MF		50V
C525	1-162-179-11	CERAMIC	0.1MF		50V
C526	1-107-334-11	MICA	5PF	0.5PF	500V
C527	1-136-593-11	FILM	0.0033MF	1%	100V
C528	1-136-593-11	FILM	0.0033MF	1%	100V
C529	1-162-179-11	CERAMIC	0.1MF		50V
C530	1-162-179-11	CERAMIC	0.1MF		50V

Ref.No.	Part No.	Description			
C531	1-136-592-11	FILM	0.003MF	1%	100V
C532	1-107-335-11	MICA	180PF	50%	500V
C533	1-107-210-00	MICA	22PF	5%	500V
C534	1-136-590-11	FILM	10MF	10%	200V
C536	1-136-594-11	FILM	0.018MF	1%	100V
C539	1-162-179-11	CERAMIC	0.1MF		50V
C540	1-162-179-11	CERAMIC	0.1MF		50V
C541	1-162-179-11	CERAMIC	0.1MF		50V
C542	1-162-179-11	CERAMIC	0.1MF		50V
C543	1-162-179-11	CERAMIC	0.1MF		50V
C544	1-162-179-11	CERAMIC	0.1MF		50V
C545	1-126-048-11	ELECT	10MF	20%	50V
C546	1-126-048-11	ELECT	10MF	20%	50V
C549	1-104-300-11	POLYSTYRENE	820PF	5%	50V
C550	1-136-583-11	FILM	1MF	10%	200V
C601	1-130-471-00	MYLAR	0.001MF	5%	50V
C602	1-130-471-00	MYLAR	0.001MF	5%	50V
C651	1-136-157-00	FILM	0.022MF	5%	50V
C652	1-136-157-00	FILM	0.022MF	5%	50V
C653	1-136-157-00	FILM	0.022MF	5%	50V
C654	1-136-157-00	FILM	0.022MF	5%	50V
C655	1-136-157-00	FILM	0.022MF	5%	50V
C701	1-126-101-11	ELECT	100MF	20%	10V
C702	1-126-101-11	ELECT	100MF	20%	10V
C703	1-124-699-31	ELECT	220MF	20%	25V
C704	1-124-699-31	ELECT	220MF	20%	25V
C705	1-124-699-31	ELECT	220MF	20%	25V
C706	1-124-699-31	ELECT	220MF	20%	25V
C707	1-162-290-31	CERAMIC	470PF	10%	50V
C708	1-162-290-31	CERAMIC	470PF	10%	50V
C709-1	1-124-721-31	ELECT	10MF	20%	50V
△C709-2	1-161-744-00	CERAMIC	0.01MF		400V
C710-1	1-124-721-31	ELECT	10MF	20%	50V
△C710-2	1-162-578-00	(AEP,UK)...CERAMIC	0.0047MF	20%	400V
△C710-2	1-161-744-00	(US,Canadian) ...CERAMIC	0.01MF		400V
C711	1-162-179-11	CERAMIC	0.1MF		50V
△C712	1-161-742-00	CERAMIC	0.0022MF	20%	400V
△C713	1-161-742-00	CERAMIC	0.0022MF	20%	400V
△C714	1-161-742-00	CERAMIC	0.0022MF	20%	400V
△C715	1-161-742-00	CERAMIC	0.0022MF	20%	400V
C716	1-136-177-00	FILM	1MF	5%	50V
C717	1-162-179-11	CERAMIC	0.1MF		50V
C750	1-162-179-11	CERAMIC	0.1MF		50V
C751	1-162-179-11	CERAMIC	0.1MF		50V
C801	1-124-225-00	ELECT	100MF	20%	6.3V
C802	1-162-179-11	CERAMIC	0.1MF		50V
C803	1-161-494-00	CERAMIC	0.022MF		25V
C821	1-123-335-00	ELECT	330MF	20%	25V
C822	1-123-335-00	ELECT	330MF	20%	25V
C823	1-123-335-00	ELECT	330MF	20%	25V
C824	1-124-636-00	ELECT	3300MF	20%	25V
C873	1-126-244-51	ELECT	47000MF		5.5V
C921	1-123-335-00	ELECT	330MF	20%	25V
C924	1-124-636-00	ELECT	3300MF	20%	25V
C1001	1-136-153-00	FILM	0.01MF	5%	50V
C1002	1-126-314-11	ELECT	12000MF	20%	16V

# CDP-557ESD/707ESD

Ref.No.	Part No.	Description			
C1003	1-126-314-11	ELECT	1200MF	20%	16V
C1004	1-124-484-11	ELECT	220MF	20%	35V
C1005	1-124-484-11	ELECT	220MF	20%	35V
C1006	1-124-484-11	ELECT	220MF	20%	35V
C1007	1-124-484-11	ELECT	220MF	20%	35V
C1008	1-123-361-00	ELECT	220MF	20%	50V
C1009	1-123-361-00	ELECT	220MF	20%	50V
C1010	1-136-177-00	FILM	1MF	5%	50V
C1011	1-123-379-00	ELECT	0.47MF	20%	50V
C1012	1-126-048-11	ELECT	10MF	20%	50V
C1013	1-130-471-00	MYLAR	0.001MF	5%	50V
C1101	1-136-153-00	FILM	0.01MF	5%	50V
C1102	1-136-177-00	FILM	1MF	5%	50V
C1103	1-126-129-11	ELECT	6800MF	20%	35V
C1104	1-126-129-11	ELECT	6800MF	20%	35V
C1105	1-124-484-11	ELECT	220MF	20%	35V
C1106	1-124-484-11	ELECT	220MF	20%	35V
C1109	1-107-210-00	MICA	22PF	5%	500V
C1110	1-107-210-00	MICA	22PF	5%	500V
C1112	1-123-378-00	ELECT	1000MF	20%	63V
C1113	1-123-378-00	ELECT	1000MF	20%	63V
C1114	1-126-103-11	ELECT	470MF	20%	16V
C1115	1-126-103-11	ELECT	470MF	20%	16V
C1116	1-126-129-11	ELECT	6800MF	20%	35V
C1117	1-126-129-11	ELECT	6800MF	20%	35V
CN751	1-507-567-71	JACK, PIN 1P (DIGITAL OUT COAXIAL)			
CN752	1-506-348-XX	(AEP,UK).....3P PLUG (L)			
CN752	*1-506-371-00	(US,Canadian)...2P PLUG (L)			
CN753	1-506-348-XX	(AEP,UK).....3P PLUG (L)			
CN753	*1-506-371-00	(US,Canadian)...2P PLUG (L)			
CN1301	1-507-898-11	JACK, PIN 2P (LINE OUT VARIABLE)			
CN1302	1-507-898-11	JACK, PIN 2P (LINE OUT FKED)			
CNJ110*1-562-883-11		SOCKET, CONNECTOR 20P			
CNJ151*1-564-706-41		PIN, CONNECTOR (SMALL TYPE) 4P			
CNJ252*1-564-706-41		PIN, CONNECTOR (SMALL TYPE) 4P			
CNJ255*1-564-339-61		PIN, CONNECTOR 5P			
CNJ256*1-564-706-41		PIN, CONNECTOR (SMALL TYPE) 4P			
CNJ401	1-564-709-11	PIN, CONNECTOR (SMALL TYPE) 7P			
CNJ402*1-564-507-11		PLUG, CONNECTOR 4P			
CNJ403*1-564-505-31		PLUG, CONNECTOR 2P			
CNJ404*1-564-505-11		PLUG, CONNECTOR 2P			
CNJ503*1-564-505-31		PLUG, CONNECTOR 2P			
CNJ504*1-564-505-11		PLUG, CONNECTOR 2P			
CNJ701*1-564-505-11		PLUG, CONNECTOR 2P			
CNJ702*1-564-505-41		PLUG, CONNECTOR 2P			
CNJ703*1-564-506-11		PLUG, CONNECTOR 3P			
CNJ704*1-564-338-00		PIN, CONNECTOR 4P			
CNJ705*1-564-340-00		PIN, CONNECTOR 6P			
CNJ707*1-535-116-00		TERMINAL			
CNJ708*1-535-116-00		TERMINAL			
CNJ709*1-535-116-00		TERMINAL			
CNJ710*1-564-336-00		PIN, CONNECTOR 2P			
CNJ711*1-564-338-00		PIN, CONNECTOR 4P			
CNJ712*1-564-338-00		PIN, CONNECTOR 4P			
CNJ713*1-564-338-00		PIN, CONNECTOR 4P			
CNJ714*1-564-338-71		PIN, CONNECTOR 4P			

Ref.No.	Part No.	Description			
CNJ715*1-564-338-81		PIN, CONNECTOR 4P			
CNJ716*1-564-339-61		PIN, CONNECTOR 5P			
CNJ717*1-564-340-00		PIN, CONNECTOR 6P			
CNJ718*1-564-340-00		PIN, CONNECTOR 6P			
CNJ719*1-564-340-00		PIN, CONNECTOR 6P			
CNJ721*1-564-342-11		PIN, CONNECTOR 8P			
CNJ722*1-564-337-00		PIN, CONNECTOR 3P			
CNJ723*1-564-506-11		PLUG, CONNECTOR 3P			
CNJ724*1-564-506-11		PLUG, CONNECTOR 3P			
CNJ725*1-564-706-41		PIN, CONNECTOR (SMALL TYPE) 4P			
CNJ726*1-564-988-11		PIN, CONNECTOR 14P			
CNJ727*1-564-988-11		PIN, CONNECTOR 14P			
CNJ728*1-564-709-11		PIN, CONNECTOR (SMALL TYPE) 7P			
CNJ731*1-564-507-11		PLUG, CONNECTOR 4P			
CNJ733	1-564-519-11	PLUG, CONNECTOR 4P			
CNJ734*1-564-506-11		PLUG, CONNECTOR 3P			
CNJ735*1-564-507-11		PLUG, CONNECTOR 4P			
CNJ736*1-564-507-41		PLUG, CONNECTOR 4P			
CNJ737*1-564-508-11		PLUG, CONNECTOR 5P			
CNJ738*1-564-496-11		PIN, CONNECTOR 3P			
CNJ739	1-564-519-11	PLUG, CONNECTOR 4P			
CNJ741*1-564-338-00		PIN, CONNECTOR 4P			
CNP652*1-564-704-11		PIN, CONNECTOR (SMALL TYPE) 2P			
CNP653*1-564-336-61		PIN, CONNECTOR 2P			
CNP654*1-564-336-71		PIN, CONNECTOR 2P			
CNP656*1-564-337-51		PIN, CONNECTOR 3P			
CP101	1-233-132-11	COMPOSITION CIRCUIT BLOCK			
CP401	1-233-113-11	COMPOSITION CIRCUIT BLOCK			
CP402	1-233-113-11	COMPOSITION CIRCUIT BLOCK			
CP403	1-233-113-11	COMPOSITION CIRCUIT BLOCK			
CP404	1-233-113-11	COMPOSITION CIRCUIT BLOCK			
CP405	1-233-113-11	COMPOSITION CIRCUIT BLOCK			
CP406	1-233-113-11	COMPOSITION CIRCUIT BLOCK			
CP407	1-233-115-11	COMPOSITION CIRCUIT BLOCK			
CP408	1-233-114-11	COMPOSITION CIRCUIT BLOCK			
CP501	1-233-113-11	COMPOSITION CIRCUIT BLOCK			
CP502	1-233-113-11	COMPOSITION CIRCUIT BLOCK			
CP503	1-233-113-11	COMPOSITION CIRCUIT BLOCK			
CP504	1-233-113-11	COMPOSITION CIRCUIT BLOCK			
CP505	1-233-113-11	COMPOSITION CIRCUIT BLOCK			
CP506	1-233-113-11	COMPOSITION CIRCUIT BLOCK			
CP507	1-233-115-11	COMPOSITION CIRCUIT BLOCK			
CP508	1-233-114-11	COMPOSITION CIRCUIT BLOCK			
CP801	1-232-976-11	COMPOSITION CIRCUIT BLOCK			
D101	8-719-940-76	DIODE 1SS132			
D101	8-719-940-76	DIODE 1SS132			
D351	8-719-940-76	DIODE 1SS132			
D401	8-719-951-13	DIODE HZ5CLL			
D402	8-719-942-32	DIODE HZ3BLL			
D403	8-719-942-32	DIODE HZ3BLL			
D501	8-719-951-13	DIODE HZ5CLL			
D651	8-719-200-02	DIODE 10E-2			
D652	8-719-200-02	DIODE 10E-2			
D653	8-719-200-02	DIODE 10E-2			
D654	8-719-200-02	DIODE 10E-2			
D701	8-719-200-23	DIODE 11E2			



Ref.No.	Part No.	Description
D702	8-719-940-76	DIODE 1SS132
D801	8-719-941-69	LED PG3668S
D802	8-719-939-85	LED AY3638S
D803	8-719-939-87	LED VR3638S
D804	8-719-921-05	LED EBG5534S
D805	8-719-907-75	LED AA5534S
D872	8-719-200-23	DIODE 11E2
D1001	8-719-200-31	DIODE 21DQ05
D1002	8-719-200-31	DIODE 21DQ05
D1003	8-719-200-31	DIODE 21DQ05
D1004	8-719-200-31	DIODE 21DQ05
D1005	8-719-940-76	DIODE 1SS132
D1006	8-719-940-76	DIODE 1SS132
D1007	8-719-934-23	DIODE HZS30-3L
D1008	8-719-933-50	DIODE HZS7C2LT2
D1009	8-719-200-23	DIODE 11E2
D1010	8-719-200-23	DIODE 11E2
D1011	8-719-200-23	DIODE 11E2
D1012	8-719-200-23	DIODE 11E2
D1013	8-719-200-23	DIODE 11E2
D1014	8-719-200-23	DIODE 11E2
D1101	△8-719-200-68	DIODE C1OP20FU
D1102	△8-719-200-69	DIODE C1OP20FUR
D1103	8-719-200-11	DIODE 10YD2.4A
D1104	8-719-200-11	DIODE 10YD2.4A
D1106	8-719-940-76	DIODE 1SS132
D1107	8-719-940-76	DIODE 1SS132
D1108	8-719-940-76	DIODE 1SS132
D1109	8-719-902-87	DIODE EQB01-08Q
D1110	8-719-902-87	DIODE EQB01-08Q
F701	△.1-532-215-00	(AEP,UK).....FUSE, TIME-LAG (TO.8A)
F701	△.1-532-824-11	(US,Canadian)...FUSE, GLASS TUBE (1.6A)
FLD801	1-519-427-11	INDICATOR TUBE, FLUORESCENT
H151	8-719-800-18	DIODE THS103A-1
H152	8-719-800-18	DIODE THS103A-1
HPJ701	1-507-796-61	JACK
IC101	8-752-031-80	IC CXA1081S
IC151	8-759-202-01	IC TA7256P
IC201	8-752-202-01	IC TA7256P
IC202	8-759-805-18	IC LA6520
IC204	8-752-032-33	IC CXA1182S
IC301	8-759-971-41	IC MSM6408-27SS
IC302	8-752-322-04	IC CXD1125Q
IC303	8-752-320-44	IC CXK5816M-10L
IC304	8-759-820-04	IC LC6523H-3446
IC404	8-759-202-13	IC TC74HC04P
IC405	8-759-000-99	IC MC74HC74N
IC406	8-759-604-29	IC M5F7805
IC407	8-759-604-29	IC M5F7805
IC408	8-759-947-50	IC CXD1305S
IC410	8-759-701-21	IC NJM5532D-D
IC411	8-759-970-28	IC PCM64P
IC412	8-759-905-42	IC NE5534P
IC413	8-759-701-21	IC NJM5532D-D
IC414	8-759-905-42	IC NE5534P
IC416	8-759-701-21	IC NJM5532D-D
IC508	8-759-947-50	IC CXD1305S

Ref.No.	Part No.	Description
IC510	8-759-701-21	IC NJM5532D-D
IC511	8-759-970-28	IC PCM64P
IC512	8-759-905-42	IC NE5534P
IC513	8-759-701-21	IC NJM5532D-D
IC514	8-759-905-42	IC NE5534P
IC516	8-759-701-21	IC NJM5532D-D
IC601	8-759-947-22	IC CXD1144P
IC603	8-759-202-14	IC TC74HC08P
IC604	8-759-013-92	IC MC74HC164F
IC605	8-759-205-05	IC TC74HC32F
IC701	8-759-600-24	IC M54543L
IC702	8-759-701-21	IC NJM5532D-D
IC703	8-759-202-13	IC TC74HC04P
IC801	8-752-803-68	IC CXP5058H-067
IC802	8-759-630-16	IC M50740A-4245P
IC803	8-759-820-02	IC LC9600RM-145
IC821	8-759-604-29	IC M5F7805
IC822	8-759-604-29	IC M5F7805
IC823	8-759-606-02	IC M5278L56
IC851	8-741-138-70	IC BX-1387
IC921	8-759-604-47	IC M5F7905
IC1001	8-759-803-41	IC LC4969
IC1101	8-759-604-39	IC M5F78M12
IC1102	8-759-701-60	IC NJM79M12FA
IC1103	8-719-902-56	DIODE PC817
IC1104	8-719-902-56	DIODE PC817
L701	△1-421-340-00	LINE FILTER
L702	1-459-795-11	COIL (WITH CORE)
L821	1-408-080-00	INDUCTOR 100UH
M53	1-422-197-21	COIL (DRIVE)
M651	X-4902-019-1	MOTOR ASSY, CHUCKING
M652	A-4608-303-A	MOTOR ASSY, LOADING
PS205	△.1-532-675-00	(AEP,UK)...LINC, IC
PS206	△.1-532-675-00	(AEP,UK)...LINC, IC
△PS1001	.1-532-675-00	(AEP,UK)...LINC, IC
Q101	8-729-103-43	TRANSISTOR 2SB734
Q205	8-729-900-89	TRANSISTOR DTC144ES
Q206	8-729-900-80	TRANSISTOR DTC114ES
Q207	8-729-900-65	TRANSISTOR DTA144ES
Q208	8-729-900-74	TRANSISTOR DTC143TS
Q351	8-729-900-80	TRANSISTOR DTC114ES
Q352	8-729-900-80	TRANSISTOR DTC114ES
Q353	8-729-900-61	TRANSISTOR DTA114ES
Q354	8-729-900-89	TRANSISTOR DTC144ES
Q403	8-729-200-55	FET 2SK241Y
Q404	8-729-200-55	FET 2SK241Y
Q405	8-729-200-55	FET 2SK241Y
Q503	8-729-200-55	FET 2SK241Y
Q504	8-729-200-55	FET 2SK241Y
Q505	8-729-200-55	FET 2SK241Y
Q651	8-729-177-43	TRANSISTOR 2SD774
Q801	8-729-902-11	TRANSISTOR 2SC2021
Q802	8-729-900-80	TRANSISTOR DTC114ES
Q803	8-729-900-80	TRANSISTOR DTC114ES
Q804	8-729-900-80	TRANSISTOR DTC114ES
Q805	8-729-900-80	TRANSISTOR DTC114ES

The components identified by shading and mark △ are critical for safety. Replace only with part number specified.

Les composants identifiés par une trame et une marque △ sont critiques pour la sécurité. Ne les remplacer que par une pièce portant le numéro spécifié.

# CDP-557ESD/707ESD

Ref.No.	Part No.	Description			
Q806	8-729-900-45	TRANSISTOR DTC114EF			
Q1001	8-729-245-82	TRANSISTOR 2SC2458-Y			
Q1002	8-729-103-43	TRANSISTOR 2SB734			
Q1101	8-729-107-53	TRANSISTOR 2SC2275A			
Q1102	8-729-167-62	TRANSISTOR 2SC2676			
Q1103	8-729-113-82	TRANSISTOR 2SA1138			
Q1104	8-729-118-52	TRANSISTOR 2SA985			
Q1105	8-729-113-82	TRANSISTOR 2SA1138			
Q1106	8-729-167-62	TRANSISTOR 2SC2676			
Q1107	8-729-167-62	TRANSISTOR 2SC2676			
Q1108	8-729-113-82	TRANSISTOR 2SA1138			
Q1109	8-729-900-61	TRANSISTOR DTA114ES			
Q1110	8-729-900-80	TRANSISTOR DTC114ES			
R101	1-215-396-00	CARBON	91	5%	1/4W
R102	1-249-397-11	CARBON	22	5%	1/4W
R103	1-249-417-11	CARBON	1K	5%	1/4W
R104	1-249-433-11	CARBON	22K	5%	1/4W
R108	1-249-425-11	CARBON	4.7K	5%	1/4W
R109	1-249-425-11	CARBON	4.7K	5%	1/4W
R110	1-249-432-11	CARBON	18K	5%	1/4W
R111	1-249-432-11	CARBON	18K	5%	1/4W
R112	1-249-441-11	CARBON	100K	5%	1/4W
R151	1-249-417-11	CARBON	1K	5%	1/4W
R152	1-249-417-11	CARBON	1K	5%	1/4W
R153	1-249-417-11	CARBON	1K	5%	1/4W
R154	1-247-887-00	CARBON	220K	5%	1/4W
R155	1-249-417-11	CARBON	1K	5%	1/4W
R156	1-249-417-11	CARBON	1K	5%	1/4W
R157	1-249-417-11	CARBON	1K	5%	1/4W
R158	1-247-887-00	CARBON	220K	5%	1/4W
R159	1-247-887-00	CARBON	220K	5%	1/4W
R160	1-247-887-00	CARBON	220K	5%	1/4W
R161	1-249-405-11	CARBON	100	5%	1/4W
R162	1-249-405-11	CARBON	100	5%	1/4W
R201	1-249-393-11	CARBON	10	5%	1/4W
R203	1-249-393-11	CARBON	10	5%	1/4W
R205	1-247-885-00	CARBON	180K	5%	1/4W
R206	1-247-881-00	CARBON	120K	5%	1/4W
R208	1-247-885-00	CARBON	180K	5%	1/4W
R210	1-247-881-00	CARBON	120K	5%	1/4W
R211	1-249-437-11	CARBON	47K	5%	1/4W
R212	1-249-436-11	CARBON	39K	5%	1/4W
R214	1-215-440-00	CARBON	6.2K	5%	1/4W
R216	1-249-393-11	CARBON	10	5%	1/4W
R217	1-215-491-00	CARBON	820K	5%	1/4W
R218	1-247-881-00	CARBON	120K	5%	1/4W
R219	1-249-425-11	CARBON	4.7K	5%	1/4W
R222	1-215-472-00	CARBON	130K	5%	1/4W
R223	1-249-393-11	CARBON	10	5%	1/4W
R224	1-249-393-11	CARBON	10	5%	1/4W
R226	1-249-405-11	CARBON	100	5%	1/4W
R228	1-215-486-00	CARBON	510K	5%	1/4W
R229	1-249-431-11	CARBON	15K	5%	1/4W
R230	1-249-439-11	CARBON	68K	5%	1/4W
R231	1-249-440-11	CARBON	82K	5%	1/4W
R232	1-249-429-11	CARBON	10K	5%	1/4W
R233	1-249-414-11	CARBON	560	5%	1/4W
R235	1-215-434-00	CARBON	3.6K	5%	1/4W

Ref.No.	Part No.	Description			
R236	1-249-433-11	CARBON	22K	5%	1/4W
R237	1-249-441-11	CARBON	100K	5%	1/4W
R238	1-249-426-11	CARBON	5.6K	5%	1/4W
R239	1-249-441-11	CARBON	100K	5%	1/4W
R240	1-249-417-11	CARBON	1K	5%	1/4W
R241	1-249-429-11	CARBON	10K	5%	1/4W
R303	1-215-469-00	METAL	100K	1%	1/6W
R304	1-215-469-00	METAL	100K	1%	1/6W
R305	1-249-429-11	CARBON	10K	5%	1/4W
R306	1-249-441-11	CARBON	100K	5%	1/4W
R307	1-249-429-11	CARBON	10K	5%	1/4W
R308	1-249-417-11	CARBON	1K	5%	1/4W
R309	1-249-433-11	CARBON	22K	5%	1/4W
R310	1-215-493-00	CARBON	1M	5%	1/4W
R324	1-249-441-11	CARBON	100K	5%	1/4W
R351	1-249-429-11	CARBON	10K	5%	1/4W
R352-1	1-249-429-11	CARBON	10K	5%	1/4W
R352-2	1-249-417-11	CARBON	1K	5%	1/4W
R353	1-249-397-11	CARBON	22	5%	1/4W
R354	1-249-409-11	CARBON	220	5%	1/4W
R355	1-249-425-11	CARBON	4.7K	5%	1/4W
R360	1-249-413-11	CARBON	470	5%	1/4W
R361	1-249-417-11	CARBON	1K	5%	1/4W
R362	1-249-417-11	CARBON	1K	5%	1/4W
R363	1-249-417-11	CARBON	1K	5%	1/4W
R364	1-249-417-11	CARBON	1K	5%	1/4W
R402	1-249-411-11	CARBON	330	5%	1/4W
R403	1-249-411-11	CARBON	330	5%	1/4W
R404	1-214-937-00	CARBON	1M	5%	1/2W
R407	1-249-429-11	CARBON	10K	5%	1/4W
R408	1-249-429-11	CARBON	10K	5%	1/4W
R409	1-215-445-00	METAL	10K	1%	1/6W
R410	1-215-445-00	METAL	10K	1%	1/6W
R411	1-215-480-00	METAL	300K	1%	1/6W
R412	1-215-480-00	METAL	300K	1%	1/6W
R413	1-215-480-00	METAL	300K	1%	1/6W
R414	1-215-480-00	METAL	300K	1%	1/6W
R415	1-214-883-00	CARBON	6.2K	1%	1/2W
R416	1-214-877-00	CARBON	3.6K	1%	1/2W
R417	1-259-504-91	CARBON	620	1%	1/2W
R418	1-249-928-11	CARBON	1.6K	1%	1/4W
R419	1-247-714-11	CARBON	1.2K	1%	1/4W
R420	1-247-714-11	CARBON	1.2K	1%	1/4W
R421	1-247-739-11	CARBON	100	2%	1/2W
R422	1-247-739-11	CARBON	100	2%	1/2W
R424	1-249-983-11	CARBON	330K	1%	1/4W
R426	1-249-921-11	CARBON	820	1%	1/4W
R427	1-246-545-00	CARBON	1M	5%	1/4W
R428	1-247-144-00	CARBON	3.6K	1%	1/4W
R429	1-249-425-11	CARBON	4.7K	5%	1/4W
R430	1-215-445-00	METAL	10K	1%	1/6W
R431	1-215-477-00	METAL	220K	1%	1/6W
R432	1-215-438-00	METAL	5.1K	1%	1/6W
R433	1-249-423-11	CARBON	3.3K	5%	1/4W
R434	1-215-452-00	CARBON	20K	5%	1/4W
R436	1-249-409-11	CARBON	220	5%	1/4W
R440	1-249-409-11	CARBON	220	5%	1/4W

Ref.No.	Part No.	Description			
R441	1-249-404-00	CARBON	82	5%	1/4W
R502	1-249-411-11	CARBON	330	5%	1/4W
R503	1-249-411-11	CARBON	330	5%	1/4W
R511	1-215-480-00	METAL	300K	1%	1/6W
R512	1-215-480-00	METAL	300K	1%	1/6W
R513	1-215-480-00	METAL	300K	1%	1/6W
R514	1-215-480-00	METAL	300K	1%	1/6W
R515	1-214-883-00	CARBON	6.2K	1%	1/2W
R516	1-214-877-00	CARBON	3.6K	1%	1/2W
R517	1-259-504-91	CARBON	620	1%	1/2W
R518	1-249-928-11	CARBON	1.6K	1%	1/4W
R519	1-247-714-11	CARBON	1.2K	1%	1/4W
R520	1-247-714-11	CARBON	1.2K	1%	1/4W
R521	1-247-739-11	CARBON	100	2%	1/2W
R522	1-247-739-11	CARBON	100	2%	1/2W
R524	1-249-983-11	CARBON	330K	1%	1/4W
R526	1-249-921-11	CARBON	820	1%	1/4W
R527	1-246-545-00	CARBON	1M	5%	1/4W
R528	1-247-144-00	CARBON	3.6K	1%	1/4W
R529	1-249-425-11	CARBON	4.7K	5%	1/4W
R530	1-215-445-00	METAL	10K	1%	1/6W
R531	1-215-477-00	METAL	220K	1%	1/6W
R532	1-215-438-00	METAL	5.1K	1%	1/6W
R533	1-249-423-11	CARBON	3.3K	5%	1/4W
R534	1-215-452-00	CARBON	20K	5%	1/4W
R601	1-249-433-11	CARBON	22K	5%	1/4W
R602	1-249-433-11	CARBON	22K	5%	1/4W
R651	1-249-417-11	CARBON	1K	5%	1/4W
R652	1-249-417-11	CARBON	1K	5%	1/4W
R701	1-247-700-11	CARBON	100	5%	1/4W
R702	1-247-700-11	CARBON	100	5%	1/4W
R703	1-249-465-11	CARBON	47K	5%	1/4W
R704	1-249-465-11	CARBON	47K	5%	1/4W
R705	1-247-721-11	CARBON	4.7K	5%	1/4W
R706	1-247-721-11	CARBON	4.7K	5%	1/4W
R707	1-249-460-11	CARBON	15K	5%	1/4W
R708	1-249-460-11	CARBON	15K	5%	1/4W
R709	1-246-533-00	CARBON	330K	5%	1/4W
R710	1-246-533-00	CARBON	330K	5%	1/4W
R711	1-247-700-11	CARBON	100	5%	1/4W
R712	1-247-700-11	CARBON	100	5%	1/4W
R713	1-249-465-11	CARBON	47K	5%	1/4W
R714	1-249-465-11	CARBON	47K	5%	1/4W
R715	▲ 1-212-934-00	FUSIBLE	1	5%	1/2W
R716	1-249-428-11	CARBON	8.2K	5%	1/4W
R717	1-215-394-00	CARBON	75	5%	1/4W
R801	1-249-422-11	CARBON	2.7K	5%	1/4W
R802	1-249-424-11	CARBON	3.9K	5%	1/4W
R803	1-249-427-11	CARBON	6.8K	5%	1/4W
R804	1-249-432-11	CARBON	18K	5%	1/4W
R805	1-249-422-11	CARBON	2.7K	5%	1/4W
R806	1-249-424-11	CARBON	3.9K	5%	1/4W
R807	1-249-427-11	CARBON	6.8K	5%	1/4W
R808	1-249-432-11	CARBON	18K	5%	1/4W
R809	1-249-422-11	CARBON	2.7K	5%	1/4W
R810	1-249-424-11	CARBON	3.9K	5%	1/4W
R811	1-249-427-11	CARBON	6.8K	5%	1/4W

Ref.No.	Part No.	Description			
R812	1-249-432-11	CARBON	18K	5%	1/4W
R813	1-249-422-11	CARBON	2.7K	5%	1/4W
R814	1-249-424-11	CARBON	3.9K	5%	1/4W
R815	1-249-427-11	CARBON	6.8K	5%	1/4W
R816	1-249-432-11	CARBON	18K	5%	1/4W
R817	1-249-422-11	CARBON	2.7K	5%	1/4W
R818	1-249-424-11	CARBON	3.9K	5%	1/4W
R819	1-249-427-11	CARBON	6.8K	5%	1/4W
R820	1-249-422-11	CARBON	2.7K	5%	1/4W
R821	1-249-424-11	CARBON	3.9K	5%	1/4W
R822	1-249-427-11	CARBON	6.8K	5%	1/4W
R823	1-249-432-11	CARBON	18K	5%	1/4W
R824	1-249-422-11	CARBON	2.7K	5%	1/4W
R825	1-249-424-11	CARBON	3.9K	5%	1/4W
R826	1-249-427-11	CARBON	6.8K	5%	1/4W
R827	1-249-432-11	CARBON	18K	5%	1/4W
R828	1-249-422-11	CARBON	2.7K	5%	1/4W
R829	1-249-424-11	CARBON	3.9K	5%	1/4W
R830	1-249-427-11	CARBON	6.8K	5%	1/4W
R831	1-249-432-11	CARBON	18K	5%	1/4W
R841	1-215-493-00	CARBON	1M	5%	1/4W
R851	1-249-429-11	CARBON	10K	5%	1/4W
R852	1-249-407-11	CARBON	150	5%	1/4W
R853	1-249-408-11	CARBON	180	5%	1/4W
R854	1-249-412-11	CARBON	390	5%	1/4W
R855	1-249-406-11	CARBON	120	5%	1/4W
R856	1-249-409-11	CARBON	220	5%	1/4W
R875	1-249-405-11	CARBON	100	5%	1/4W
R1001▲	1-212-877-11	FUSIBLE	68	5%	1/4W
R1002	1-249-433-11	CARBON	22K	5%	1/4W
R1003	1-247-881-00	CARBON	120K	5%	1/4W
R1005	1-249-437-11	CARBON	47K	5%	1/4W
R1006	1-247-891-00	CARBON	330K	5%	1/4W
R1007	1-249-420-11	CARBON	1.8K	5%	1/4W
R1008	1-249-429-11	CARBON	10K	5%	1/4W
R1009	1-249-435-11	CARBON	33K	5%	1/4W
R1101▲	1-212-877-11	FUSIBLE	68	5%	1/4W
R1102	1-249-539-11	CARBON	300	5%	1/4W
R1103	1-249-539-11	CARBON	300	5%	1/4W
R1104	1-247-710-11	CARBON	560	5%	1/4W
R1105	1-247-710-11	CARBON	560	5%	1/4W
R1106	1-249-466-11	CARBON	56K	5%	1/4W
R1107	1-249-466-11	CARBON	56K	5%	1/4W
R1108	1-247-711-11	CARBON	680	5%	1/4W
R1109	1-247-711-11	CARBON	680	5%	1/4W
R1110	1-247-712-11	CARBON	820	5%	1/4W
R1111	1-247-712-11	CARBON	820	5%	1/4W
R1112	1-247-719-11	CARBON	3.3K	5%	1/4W
R1113	1-247-719-11	CARBON	3.3K	5%	1/4W
R1114	1-215-406-00	CARBON	240	5%	1/4W
R1115	1-249-411-11	CARBON	330	5%	1/4W
R1116	1-249-429-11	CARBON	10K	5%	1/4W
R1301	1-247-700-11	CARBON	100	5%	1/4W
R1302	1-247-700-11	CARBON	100	5%	1/4W
RV101	1-226-773-11	RES, ADJ, METAL GLAZE	22K		
RV102	1-226-773-11	RES, ADJ, METAL GLAZE	22K		
RV103	1-226-773-11	RES, ADJ, METAL GLAZE	22K		

The components identified by shading and mark ▲ are critical for safety. Replace only with part number specified.

Les composants identifiés par une trame et une marque ▲ sont critiques pour la sécurité. Ne les remplacer que par une pièce portant le numéro spécifié.

Ref.No.	Part No.	Description
RV104	1-226-772-11	RES, ADJ, METAL GLAZE 4.7K
RV201	1-226-771-11	RES, ADJ, METAL GLAZE 1K
RV401	1-228-997-00	RES, ADJ, METAL GLAZE 100K
RV402	1-228-997-00	RES, ADJ, METAL GLAZE 100K
RV403	1-228-997-00	RES, ADJ, METAL GLAZE 100K
RV404	1-228-997-00	RES, ADJ, METAL GLAZE 100K
RV501	1-228-997-00	RES, ADJ, METAL GLAZE 100K
RV502	1-228-997-00	RES, ADJ, METAL GLAZE 100K
RV503	1-228-997-00	RES, ADJ, METAL GLAZE 100K
RV504	1-228-997-00	RES, ADJ, METAL GLAZE 100K
RV701	1-230-674-11	RES, VAR, CARBON 20K/20K(LINE OUT/ PHONE LEVEL)
RY701	1-515-682-11	RELAY
RY1101	1-515-682-11	RELAY
RY1102	1-515-682-11	RELAY
RY1103	1-515-642-11	RELAY
RY1104	1-515-642-11	RELAY
S601	1-516-778-XX	SWITCH, SLIDE (OUTPUT SELECTOR)
S651	1-554-205-00	SWITCH, PUSH (LOAD IN DET)
S652	1-571-300-11	SWITCH, ROTARY (LOAD OUT DET)
S653	1-553-636-00	SWITCH, MICRO (MOTOR SELECT)
S654	1-570-447-11	SWITCH, MICRO (CHUCKING)
S701	▲1-553-318-00	SWITCH, PUSH (AC POWER)(1 KEY)
S801	1-554-303-21	SWITCH, KEY BOARD (1)
S802	1-554-303-21	SWITCH, KEY BOARD (2)
S803	1-554-303-21	SWITCH, KEY BOARD (3)
S804	1-554-303-21	SWITCH, KEY BOARD (4)
S805	1-554-303-21	SWITCH, KEY BOARD (5)
S806	1-554-303-21	SWITCH, KEY BOARD (6)
S807	1-554-303-21	SWITCH, KEY BOARD (7)
S808	1-554-303-21	SWITCH, KEY BOARD (8)
S809	1-554-303-21	SWITCH, KEY BOARD (9)
S810	1-554-303-21	SWITCH, KEY BOARD (10)
S811	1-554-303-21	SWITCH, KEY BOARD (11)
S812	1-554-303-21	SWITCH, KEY BOARD (12)
S813	1-554-303-21	SWITCH, KEY BOARD (13)
S814	1-554-303-21	SWITCH, KEY BOARD (14)
S815	1-554-303-21	SWITCH, KEY BOARD (15)
S816	1-554-303-21	SWITCH, KEY BOARD (16)
S817	1-554-303-21	SWITCH, KEY BOARD (17)
S818	1-554-303-21	SWITCH, KEY BOARD (18)
S819	1-554-303-21	SWITCH, KEY BOARD (19)
S820	1-554-303-21	SWITCH, KEY BOARD (20)
S821	1-554-303-21	SWITCH, KEY BOARD (◀◀)
S822	1-554-303-21	SWITCH, KEY BOARD (>20)
S823	1-554-303-21	SWITCH, KEY BOARD (▶▶)
S824	1-554-303-21	SWITCH, KEY BOARD (ERASE)
S825	1-554-303-21	SWITCH, KEY BOARD (■)
S826	1-554-303-21	SWITCH, KEY BOARD (◀◀)
S827	1-554-303-21	SWITCH, KEY BOARD (▶▶)
S828	1-554-303-21	SWITCH, KEY BOARD (CLEAR)
S829	1-554-303-21	SWITCH, KEY BOARD (CHECK)
S830	1-554-303-21	SWITCH, KEY BOARD (▲ OPEN/CLOSE)

Ref.No.	Part No.	Description
S831	1-554-303-21	SWITCH, KEY BOARD (  )
S832	1-554-303-21	SWITCH, KEY BOARD (→ INDEX)
S833	1-554-303-21	SWITCH, KEY BOARD (INDEX MODE)
S834	1-554-303-21	SWITCH, KEY BOARD (FILE)
S835	1-554-303-21	SWITCH, KEY BOARD (REPEAT)
S836	1-554-303-21	SWITCH, KEY BOARD (DISPLAY)
S837	1-554-303-21	SWITCH, KEY BOARD (▶)
S838	1-554-303-21	SWITCH, KEY BOARD (A.PAUSE/SPACE)
S839	1-554-303-21	SWITCH, KEY BOARD (← INDEX)
S851	1-554-303-21	SWITCH, KEY BOARD (CONTINUE/SINGLE)
S852	1-554-303-21	SWITCH, KEY BOARD (SHUFFLE)
S853	1-554-303-21	SWITCH, KEY BOARD (PROGRAM)
SE51	1-422-198-21	COIL (SENSOR)
SW851	1-552-625-00	SWITCH, SLIDE (TIMER)
T901	▲1-449-078-11	(US,Canadian)...TRANSFORMER, POWER
T901	▲1-449-079-11	(AEP,UK).....TRANSFORMER, POWER
T902	▲1-449-081-11	(US,Canadian)...TRANSFORMER, POWER
T902	▲1-449-082-11	(AEP,UK).....TRANSFORMER, POWER
▲THP101	1-808-065-11	THERMISTOR, POSITIVE
▲THP102	1-808-065-11	THERMISTOR, POSITIVE
▲THP103	1-808-065-11	THERMISTOR, POSITIVE
▲THP104	1-808-065-11	THERMISTOR, POSITIVE
X301	1-567-686-11	OSCILLATOR, CERAMIC 4MHz
X401	1-567-926-11	VIBRATOR, CRYSTAL 16.9344MHz
X801	1-567-686-11	OSCILLATOR, CERAMIC 4MHz

**ACCESSORY & PACKING MATERIAL**




1-463-909-11	COMMANDER, REMOTE (RM-D650)
1-558-271-11	CORD, CONNECTION
3-694-204-01	SHEET, PROTECTION
3-703-390-01	(US).....INSTRUCTION
3-769-639-11	(Canadian,AEP,UK)...MANUAL, INSTRUCTION
3-769-639-21	(US).....MANUAL, INSTRUCTION
3-769-639-41	(AEP).....MANUAL, INSTRUCTION
*4-912-947-01	KEY, LOCK
4-922-528-01	LID, BATTERY CASE, COMMANDER
4-923-546-11	(US,Canadian)...INDIVIDUAL CARTON
4-923-546-21	(AEP,UK).....INDIVIDUAL CARTON
4-923-548-01	CUSHION (UPPER)
4-923-549-01	CUSHION (LOWER)

<p>The components identified by shading and mark ▲ are critical for safety. Replace only with part number specified.</p>	<p>Les composants identifiés par une trame et une marque ▲ sont critiques pour la sécurité. Ne les remplacer que par une pièce portant le numéro spécifié.</p>
--	--



# Troubleshooting Guide

The following checks will assist in the correction of most problems which you may encounter with your unit. Before going through the check list below, first refer back to the connections and operating procedures.

Symptom	Cause	Remedy
The disc compartment does not close when a disc is inserted and the  button is pressed.	The disc is not placed correctly.	Put the disc correctly in the disc compartment.
Play does not start.	Dirty disc	Clean the disc.
	The disc is inserted with the label surface downward.	Place the disc with the label surface up.
	The  button is engaged.	Press the  button again to release it.
	Moisture condensation	Wait for approx. one hour after turning on the unit then start play.
Sound is not heard.	Loose connection	Connect the cords firmly.
	The OUTPUT SELECTOR is set to the DIGITAL OUT side while using the LINE OUT jacks.	Set the OUTPUT SELECTOR to LINE OUT side.
	The LINE OUT/HEADPHONE LEVEL control is set to the minimum (0) while using the VARIABLE LINE OUT jacks.	Turn the LINE OUT/HEADPHONE LEVEL control clockwise.
Display window does not illuminate even when the power is turned on.	The AC power cord is disconnected.	Connect the AC power cord firmly.
Play begins when the POWER switch is turned on.	The TIMER switch is set to PLAY.	Set the TIMER switch to OFF.
Level of the recorded sound is different from that set on the tape recorder.	When the VARIABLE LINE OUT jacks are used, the LINE OUT/HEADPHONE LEVEL control is turned while recording.	Do not turn the LINE OUT/HEADPHONE LEVEL control while recording.

# CDP-557ESD/707ESD

---

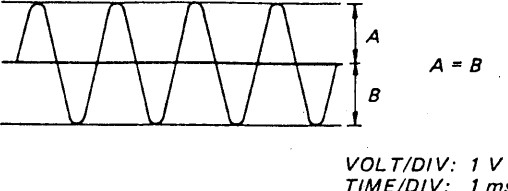
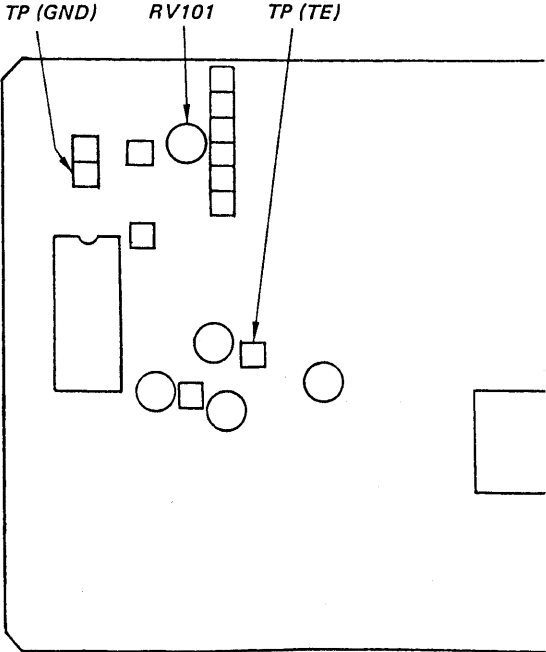

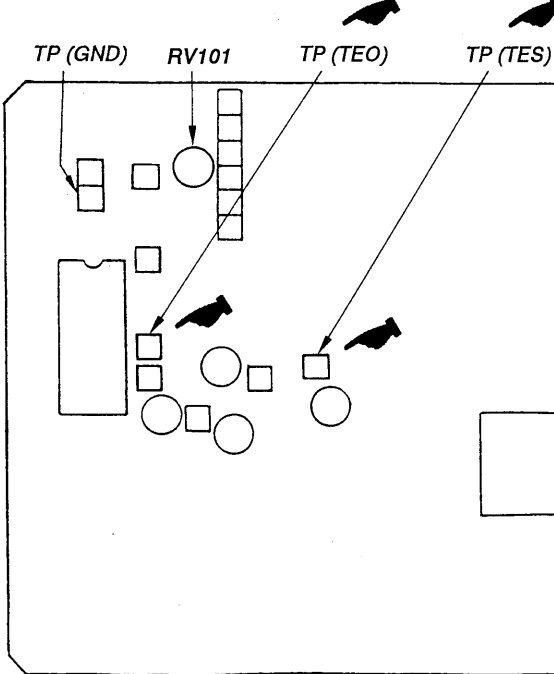
## SONY<sup>®</sup> SERVICE MANUAL

*US Model*  
*Canadian Model*  
*CDP-707ESD*  
*AEP Model*  
*UK Model*  
*E Model*  
*CDP-557ESD*

## CORRECTION-1

Please correct your service manual.

 : Corrected portion

Incorrect	Correct
<p><b>E-F Balance Adjustment</b></p> <p>This adjustment should be made when replacing Optical Pick-up.</p> <p><b>Procedure:</b></p> <ol style="list-style-type: none"> <li>1. Connect oscilloscope to test points TE and GND.</li> <li>2. Put set into adjustment mode. (See page 7.)</li> <li>3. Turn POWER switch on.</li> <li>4. Put disk (YEDS-18) in and press ► button.</li> <li>5. Adjust RV101 so that the traverse waveform is symmetrical above and below.</li> <li>6. After adjustment, cancel the adjustment mode. (See page 7.)</li> </ol>  <p style="text-align: center;"><math>A = B</math></p> <p style="text-align: center;">VOLT/DIV: 1 V TIME/DIV: 1 ms</p> <p><b>Adjustment Location : digital board</b></p> 	<p><b>E-F Balance Adjustment</b></p> <p>This adjustment should be made when replacing Optical Pick-up.</p> <p><b>Procedure:</b></p> <ol style="list-style-type: none"> <li>1. Connect oscilloscope to test points TEO and GND.</li> <li>2. Put set into adjustment mode. (See page 7.)</li> <li>3. Connect test point TES with ground.</li> <li>4. Turn POWER switch on.</li> <li>5. Put disk (YEDS-18) in and press ► button.</li> <li>6. Adjust RV101 so that the traverse waveform is symmetrical above and below.</li> <li>7. After adjustment, cancel the adjustment mode and the connection of test point TES. (See page 7.)</li> </ol>  <p style="text-align: center;">0 V</p> <p style="text-align: center;">symmetry</p> <p><b>Adjustment Location : digital board</b></p> 



# CDP-557ESD/707ESD

## SONY SERVICE MANUAL

US Model  
Canadian Model  
CDP-707ESD

AEP Model  
UK Model  
E Model  
CDP-557ESD

### CORRECTION-2

Correct your service manual as shown below.

 : indicates corrected portion.

Page	INCORRECT			CORRECT	
	No.	Part No.	Description	Part No.	Description
39	337	_____		A-4675-230-A	ROTOR ASSY (BU-10)
				A-4675-324-A	ROTOR ASSY (BU-10A)
	338	_____		4-921-825-01	LEVER, LOCK

