

# LUXMAN

## PD300 OWNER'S MANUAL





## Switches & Terminals

**WARNING:** TO PREVENT FIRE OR SHOCK HAZARD DO NOT EXPOSE THIS APPLIANCE TO RAIN OR MOISTURE.

### 1. Motor Pulley

This pulley is directly coupled with the rotation axle of the driving motor. Hang the driving belt on this pulley to drive the turntable platter.

### 2. Hinge

The acrylic cover is to be fixed to this hinge. Semi-free stop construction is employed. With this system, the total weight of the cover is applied to the body-chassis when it is closed.

For attachment of the acrylic cover, refer to the step "8" in the Installation Procedure.

### 3. Sealing Pad

This Pad keeps the space between the disc and turntable platter air-tight. Be careful neither to handle it rough nor to leave it dirty, as otherwise air-suction may become

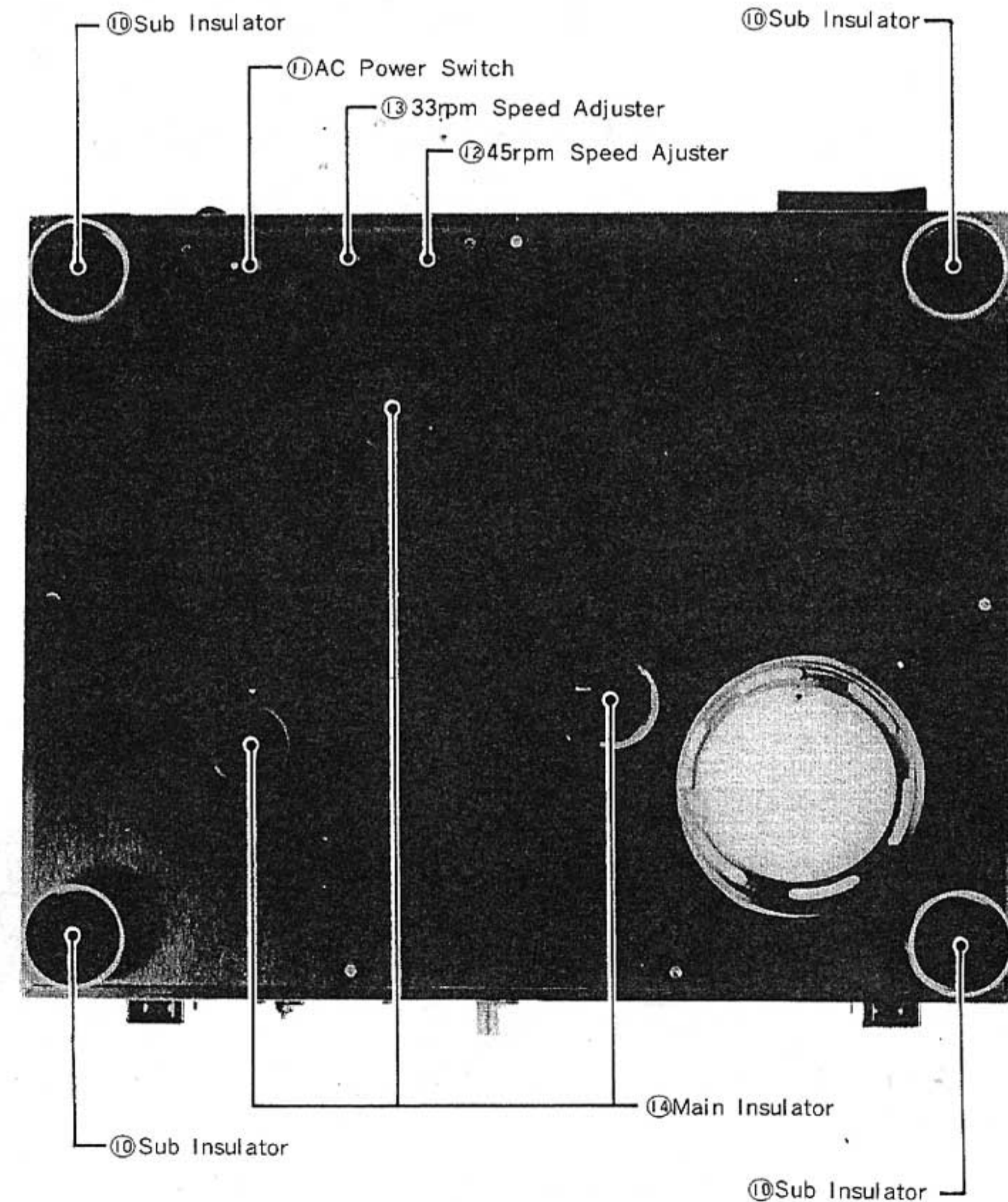
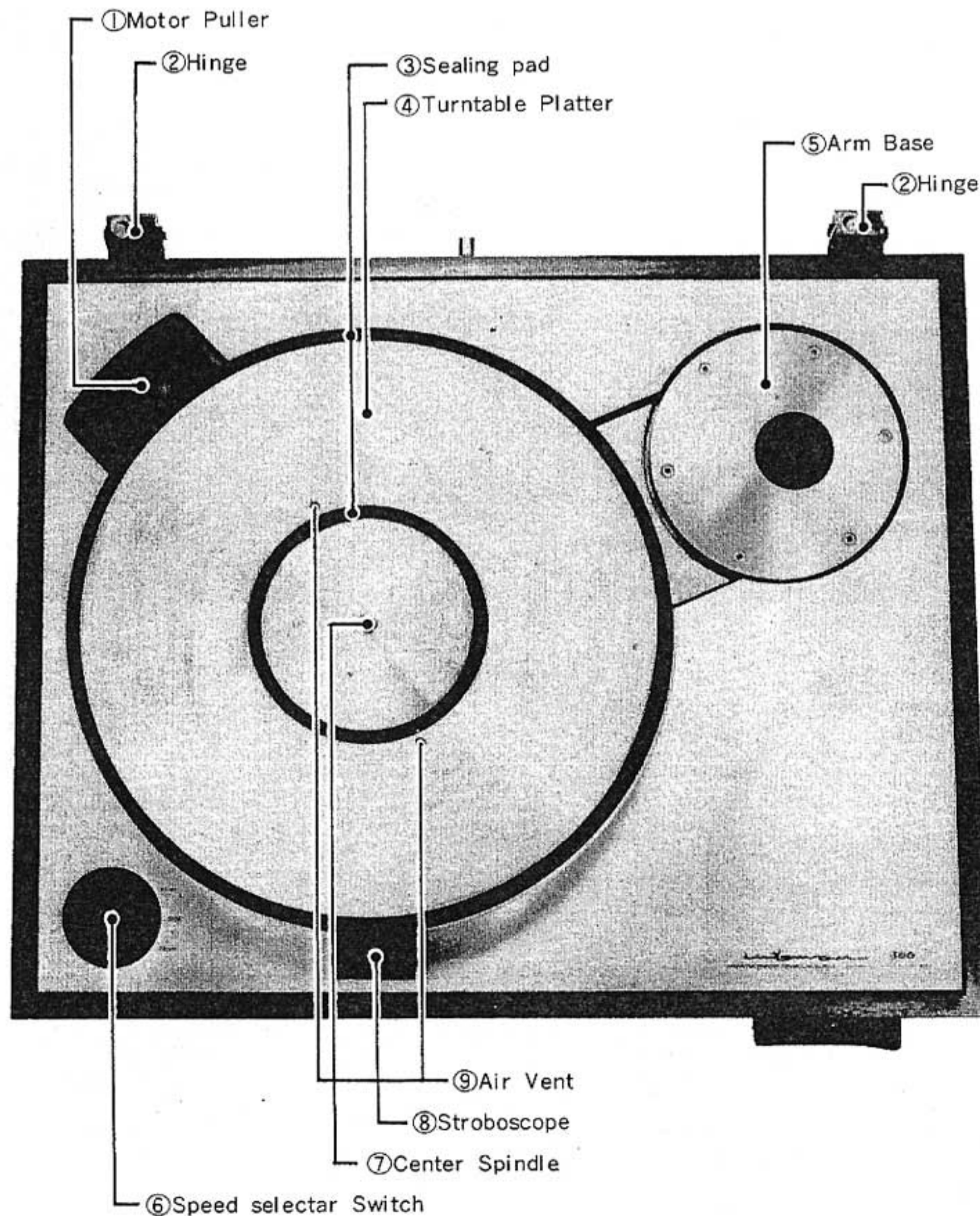
insufficient.

### 4. Turntable Platter

The PD300 employs ultra heavy turntable platter (3.5 kgs). Further, to realize larger inertia moment sufficient thickness is given to the outer contour of the platter. Of course the entire designing is made with full consideration of resonance and strength.

### 5. Tonearm Base

The PD300 comes without tonearm base. Choose an





optional tonearm base that fits your tonearm. Refer to the table listed on P.4.

#### 6. Speed Selector/Start Switch

This switch selects rotation speed and ON-OFF of rotation of the platter. In the "OFF" position the turntable platter ceases to rotate.

#### 7. Center Spindle

Be sure not to damage the center spindle at the time of attachment of turntable platter.

#### 8. Stroboscope

Fine and minute adjustment of the rotation speed is feasible by watching the stroboscope pattern. Adjust the Speed Adjuster (12) and (13) so that the stroboscope pattern looks stationary.

#### 9. Air Vent

The air between the platter and disc is sucked out through the vent to fix the disc to the turntable platter when the vacuum stabilizer is operated.

#### 10. Sub-Insulator

This insulator suspends the whole player system, and it absorbs acoustic-feedback or vibrations caused at the time of operating functions in close combination with the Main Insulator. The height adjustment of the player is feasible

with this insulator.

#### 11. Power Switch

When the AC Cord is plugged into the AC supply point and this switch is depressed, the Pilot Lamp (15) lights up in orange to show the PD300 is put into operational condition.

#### 12. Speed Adjuster (33-1/3 rpm)

Fine and minute speed adjustment is possible by use of this adjuster. Set the Speed Selector Switch (6) to the "33" position, and turn the knob clockwise or counter-clockwise. When the stroboscope pattern gets stationary, correct rotation speed has been obtained.

#### 13. Speed Adjuster (45 rpm)

Set the Selector (6) to the "45" position, and adjust the knob so that the stroboscope pattern looks stationary.

#### 14. Main Insulator

This is to insulate the main chassis from the cabinet and in close conjunction with the Sub-Insulator it absorbs acoustic feedback or vibrations at the time of operating functions. The horizontal balance of the turntable platter can be adjusted by this insulator

#### 15. Pilot Lamp/Operation Indicator

The lamp lights up in orange when the Power Switch is

depressed, which shows the PD300 is put in the operational condition. Further when the Vacuum Stabilizer Lever (16) is operated and air-suction is made proper, the lamp turns to be green.

#### 16. Vacuum Stabilizer Lever

Usually this lever is set horizontal. With the disc on the platter, air-suction is activated when it is turned counter-clockwise to be vertical. Then, clockwise rotation of the lever releases the suction.

#### 17. Remote Vacuum Unit Connection Tube Point

#### 18. Connector for Remote Vacuum Unit

These terminals are provided exclusively for connection of remote vacuum unit, which is scheduled to be optionally available in the future.

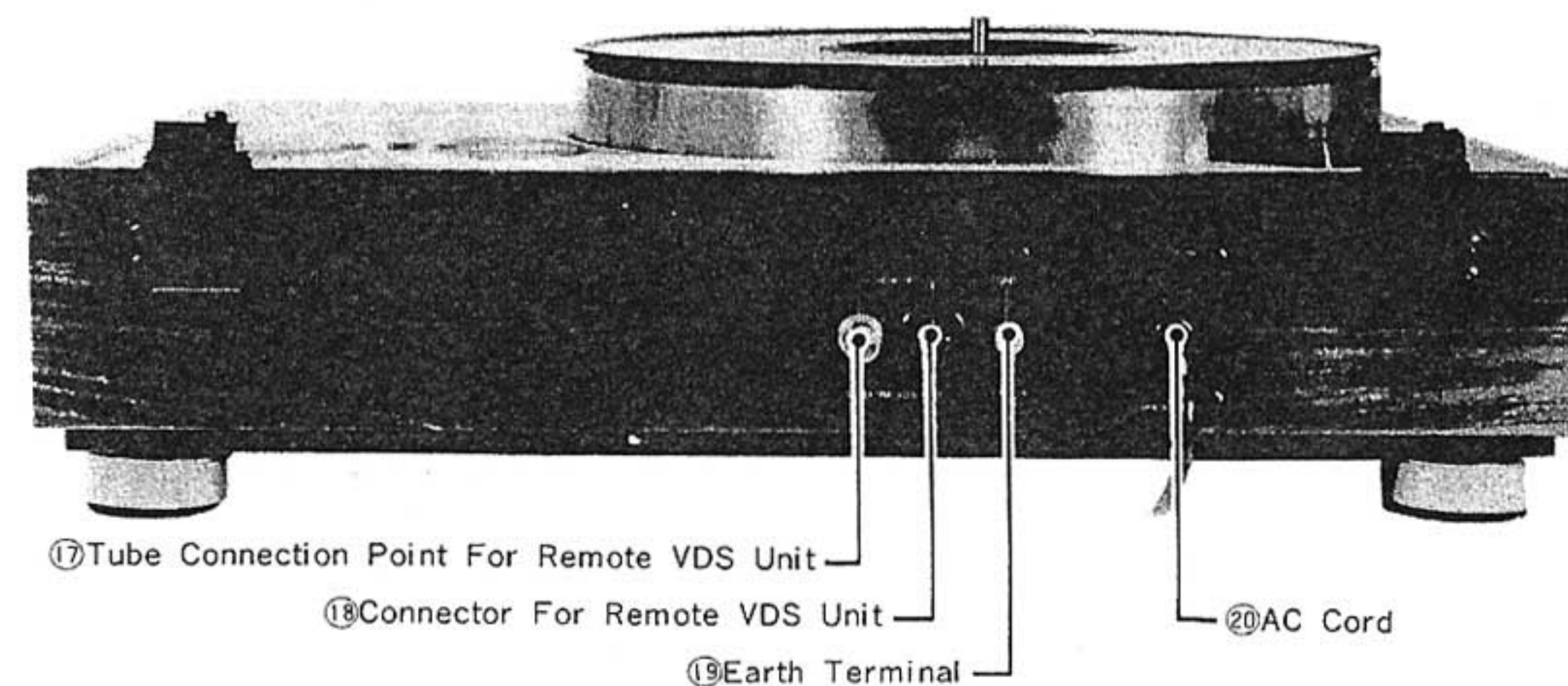
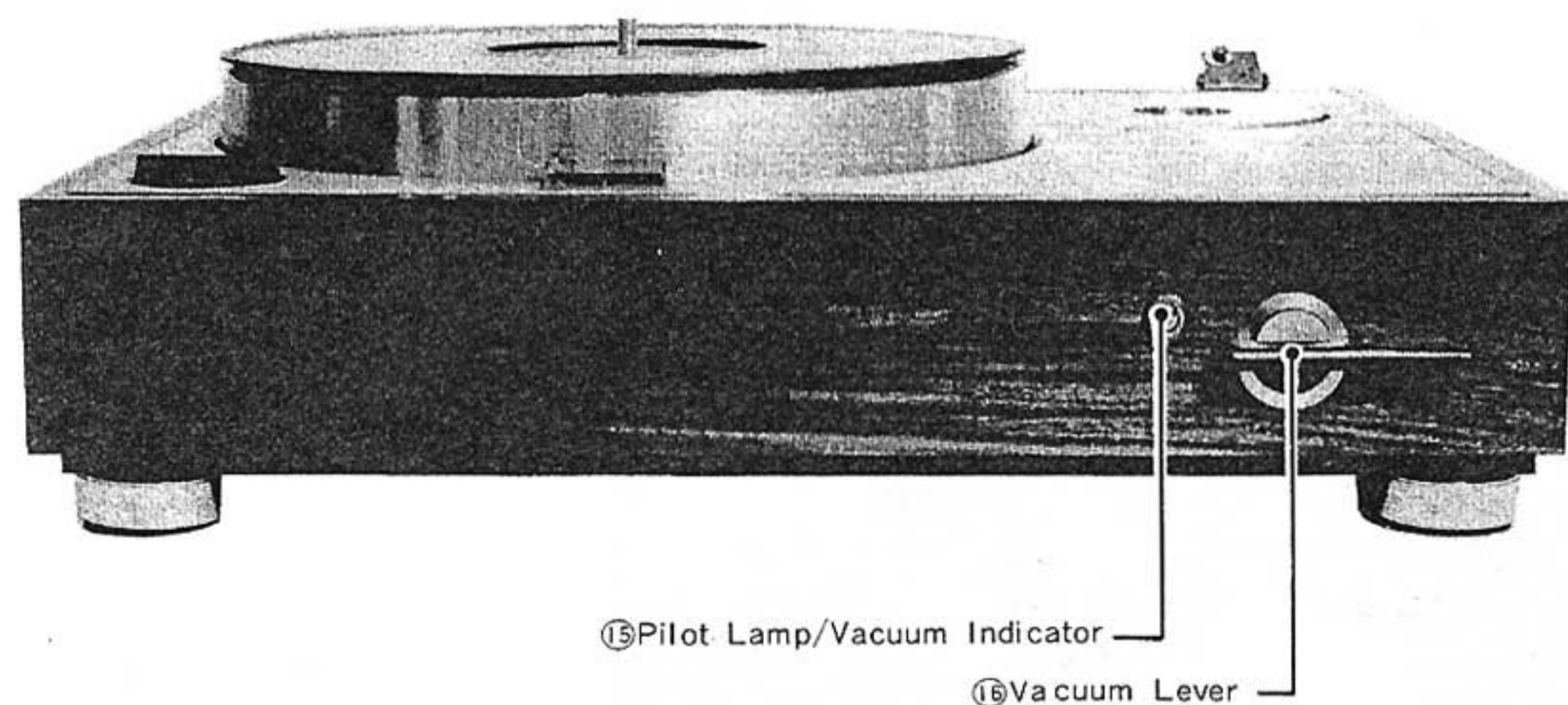
#### 19. Earth Terminal (GND)

Connect the GND terminal to the earth terminal of the preamplifier.

NOTE: Some tonearms may cause hum noise when the earth-lead is connected to the Earth Terminal (19). Check if it is better to connect the earth or not before operating the unit.

#### 20. AC Cord

Connect the AC plug at the end of this cord to the AC power supply socket in your listening room.





# INSTALLATION PROCEDURE

Before installation of the PD300, remove the acrylic pulley-cover by lifting it up.

## 1. Installation of Sub-Insulator/Adjustment of Horizontal Balance

Screw the Sub-Insulator (10) at the four corners of the bottom side. Rotate the insulator to provide the optimum horizontal balance of the cabinet.

## 2. Remove 3 Fixing Screws for Transportation

The main-chassis is fixed to the cabinet by 3 screws with paper-sheet and washer. These screws are for protection of the player during transportation. Remove these screws before operating the PD300 by use of (+) head screw-driver. Never touch the screws without paper-sheet. The screws removed should be kept aside for later use.

## 3. Installation of Turntable Platter

Hang the driving belt on the lower part of the turntable platter. At this time, place the attached cloth-tag in between the platter and belt. Hold the turntable platter by both hands, and install the platter carefully.

## 4. Installation of Tonearm and Tonearm Base

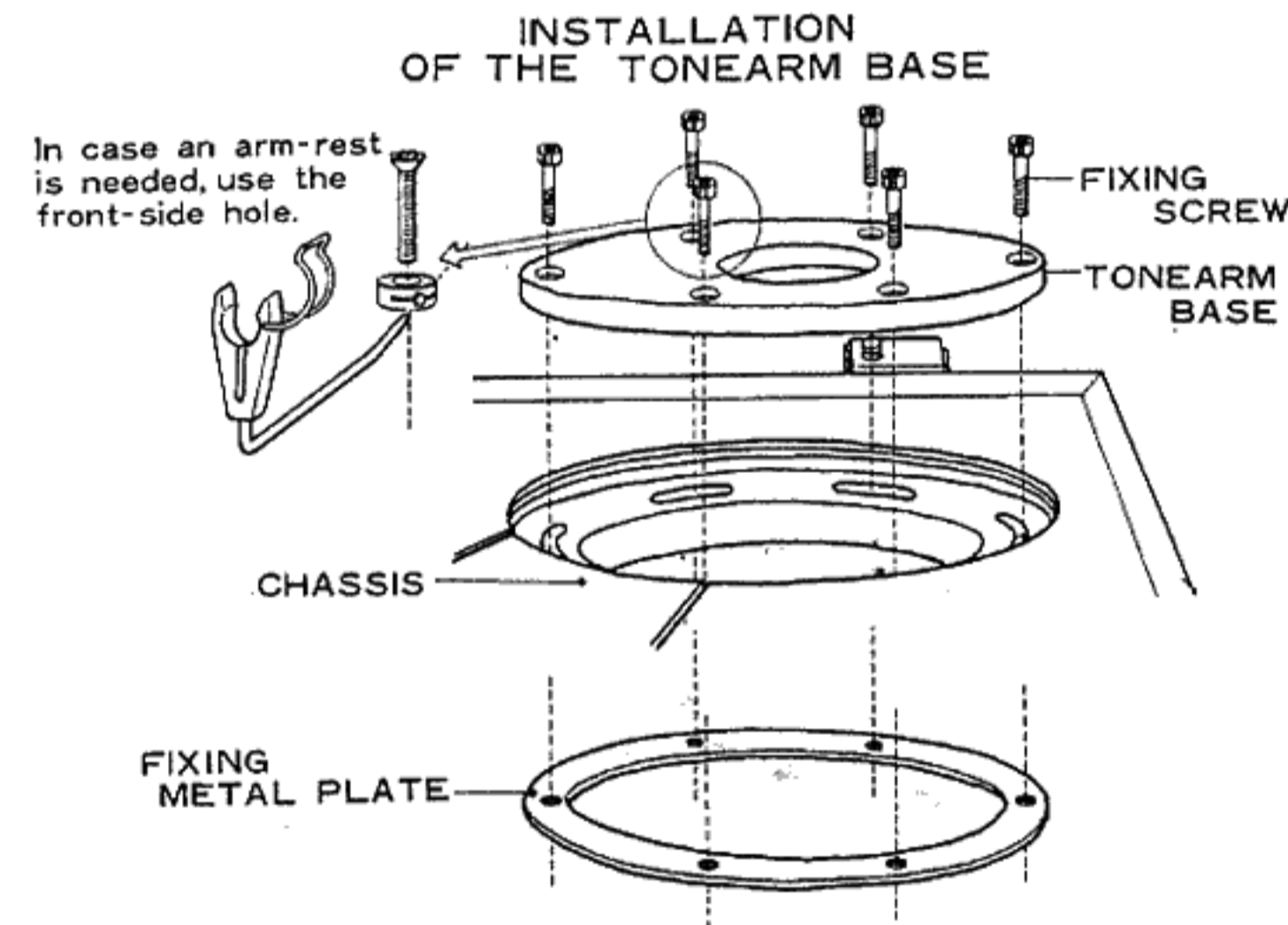
First, mount the tonearm tentatively on the Tonearm Base according to the instruction manual of the tonearm. Then place the Tonearm Base on the specified part on the PD300 to make the Overhang Adjustment, which can be

done by rotating the Tonearm Base. When correct point is found, fix the tonearm so that it can be settled properly. The Tonearm Base should be fixed to the main chassis by use of six bolts together with the Fixing Plate. Also the position of the tonearm rest should be adjusted properly.

In case your tonearm is provided with separate arm-rest, use the one which comes with the Tonearm Base, and install it to the foremost hole by use of the flat-head screw provided.

## 5. Horizontal Balance Adjustment of the Turntable Platter

The horizontal balance of the turntable platter can be obtained by adjusting the three Main Insulators through the bottom side of the cabinet.



First, rotate the one that is closest to the tonearm base so that the height of the tonearm base is equivalent to that of the cabinet panel. Then, rotate another two to be leveled.

## 6. Reconfirmation of Horizontal Balance

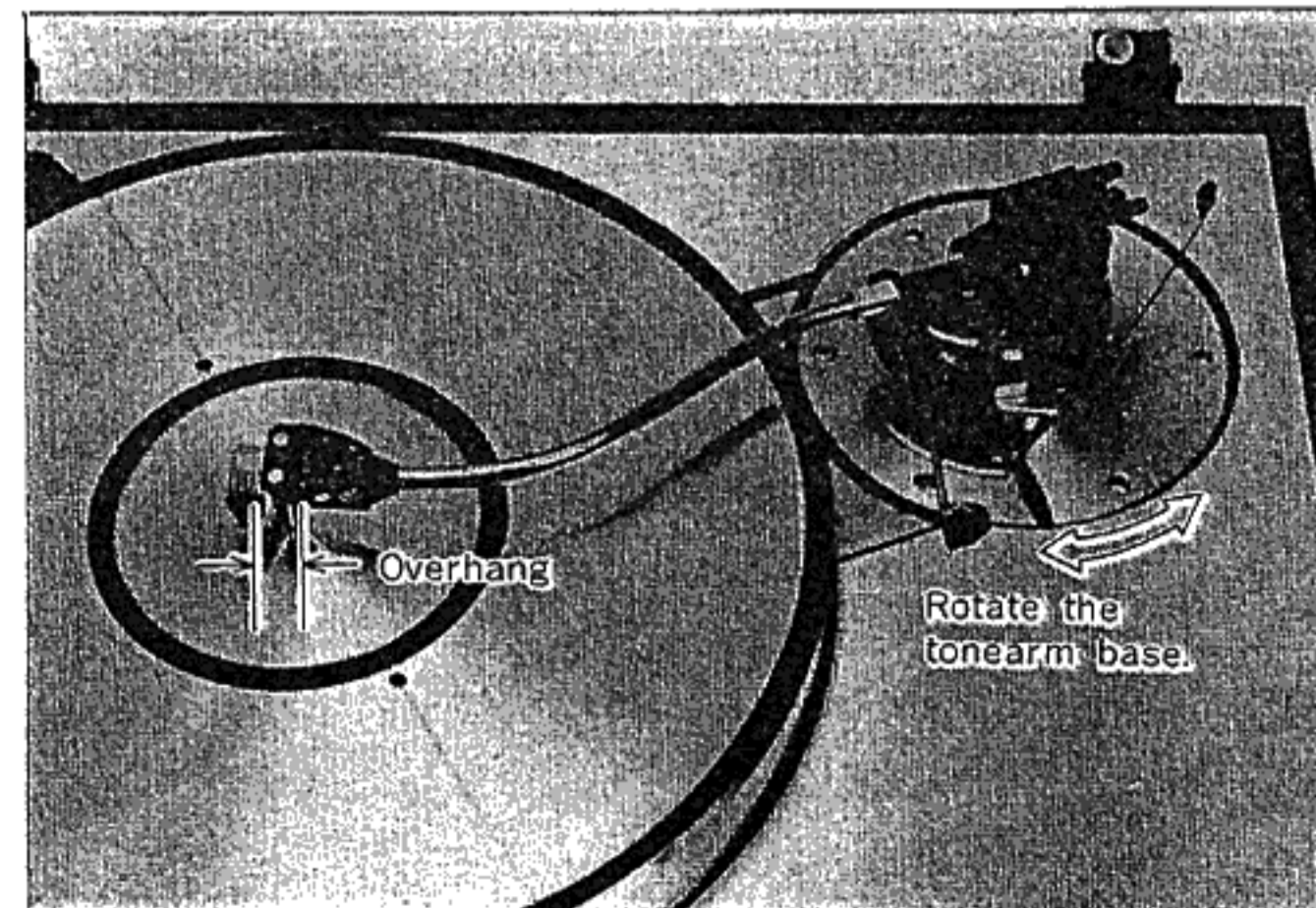
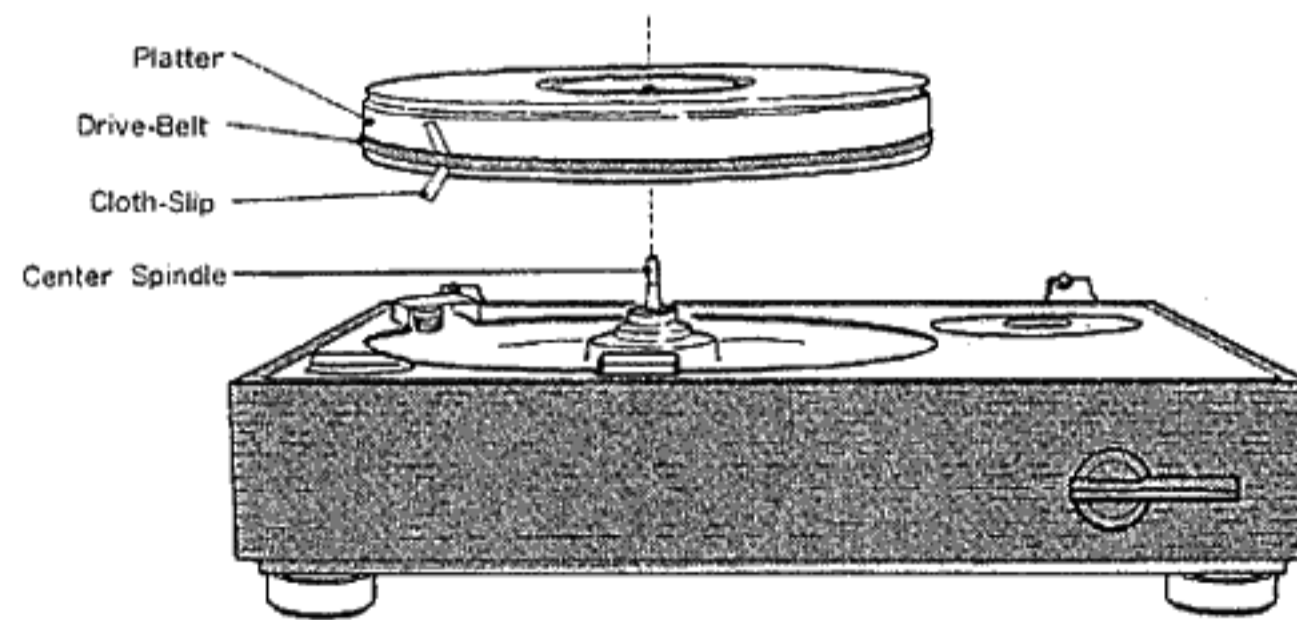
Hang the drive-belt on the pulley by pulling the cloth-tag, which should be kept aside for later use. Rotate the platter manually several times, and check if the drive belt is set correctly. Reconfirm the horizontal balance is still proper. If it is not leveled, readjust it correctly. Put on the acrylic pulley-cover.

## 7. Operation of Vacuum Stabilizer

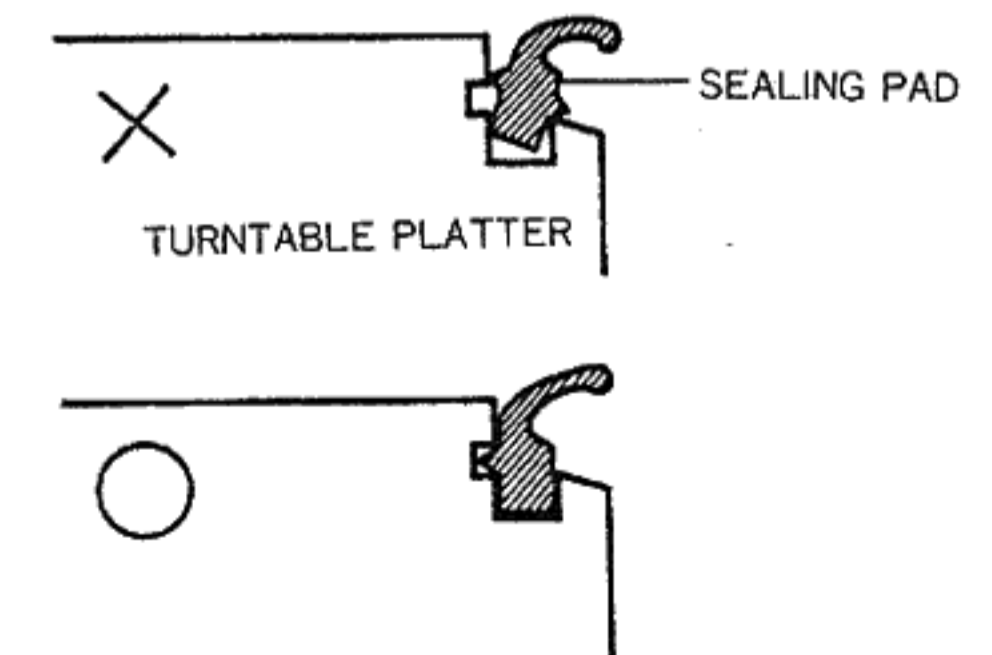
Before operation, connect the AC Cord (20) to the AC power supply point in your listening room. Turn on the Power Switch (11). Check that the Pilot Lamp (15) lights up in green.

Check if the Sealing Pad is correctly installed. Sealing Pad, turntable surface, and air-vent grooves should be kept free from dust. If it is dirty, clean it up by use of cotton wool moistened with alcohol or water. Put an well-cleaned disc on the platter, and operate the Vacuum Stabilizer Lever to suck it on to the platter. At this time, check if the Operate Indicator (15) lights up in green, while it turns to be orange when air-suction is released. In case the air-suction can not be done properly even if the "suction - release" operation is made two or three times, put the vinyl container of disc etc. on the disc surface and operate the Vacuum Stabilizer Lever, pressing the center of disc.

Installation of Platter



## CHECK OF THE SEALING PAD



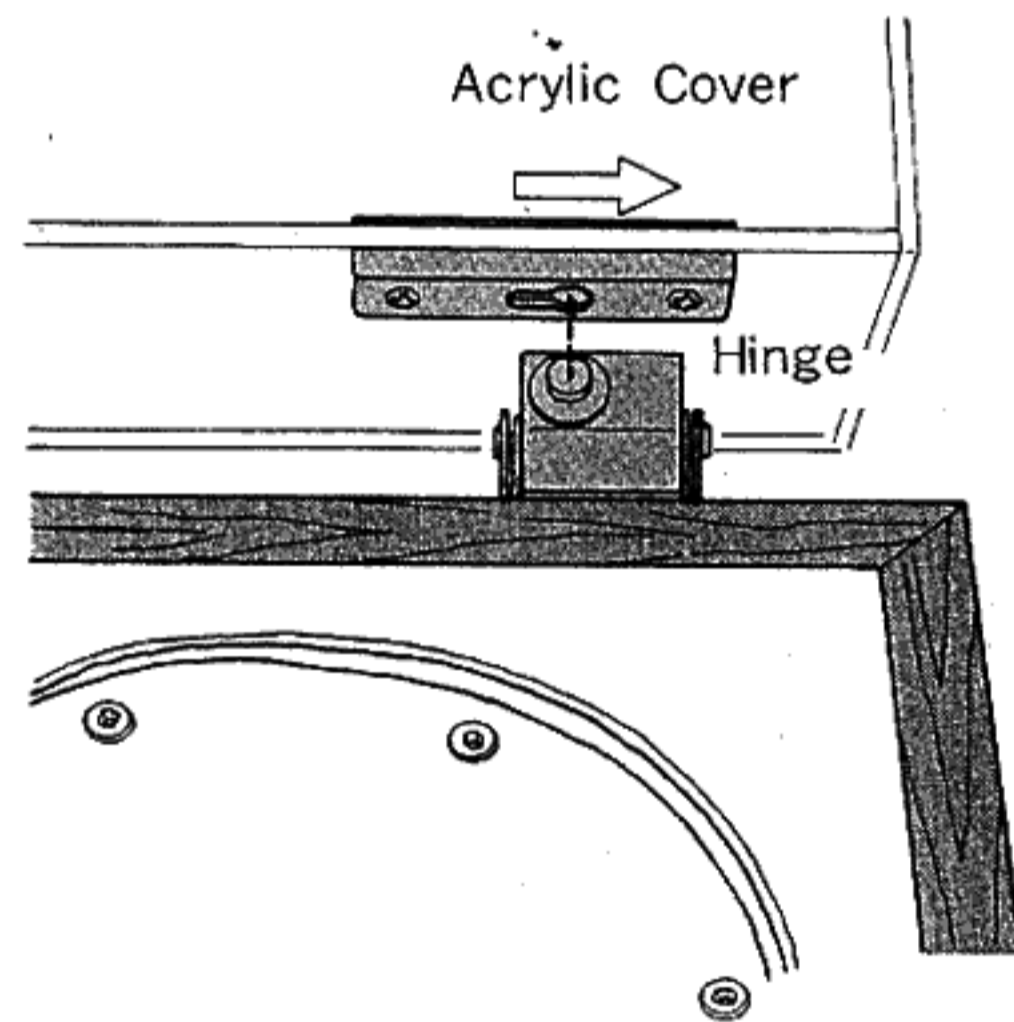


Repeat this procedure several times until proper suction is obtained. Be always careful to keep the record discs and turntable platter clean since the Vacuum Stabilizer System is especially vulnerable to dust.

**8. Installation of Acrylic Cover**

Insert the protrusion of the chassis-side hinge to that of the cover, and slide it to the "arrow" marked direction as per the illustration. Both of the two hinges should be fixed at the same time. It is advisable to hold the cover at the hinge part and install it surely.

Installation of Acrylic Cover



TYPE	BRANDS	APPLICABLE TONEARMS
TF-MT	STAX	UA-7, UA-3, UA-9
	GRACE	G-704, G-714
	MICRO	MA-505, MA-707X, MA-303 MA-101mkII, MA-77mkII
	FR	FR-64, FR-64S, FR-14
	ORTOFON	RMG-212
	SAEC	WE-308, WE-407/23
TF-LH	AUDIO-TECHNICA	AT-1503III, AT-1100
	LUXMAN	TA-1
TF-SG	VICTOR	UA7045
	TECHNICS	EPA-100
	LUSTER	GST-801
	AUDIO-CRAFT	AC-300mkII, AC-3000MC
TF-LS	GRACE	G-940, G-545F, G-840F, G-707, Σ-709, G-945
	FR	FR-54
	DENON	DA-305, DA-307, DA-309
	AUDIO-CRAFT	AC-3000, AC-300A
TF-LS	EXEL-SOUND	ES-801
	ADC	LMF-1, LMF-2
TF-LS	SME	3009SII, 3009SIII

**1. Turntable Platter etc. should be kept always clean.**

The Vacuum Disc Stabilizer System provides unprecedented performance, but it offers quite delicate characteristic at the same time. Record disc, surface to the turntable platter and the Sealing Pad should be kept always clean. Especially it is advisable to clean the surface of the platter and, of course, the record disc before performing reproduction.

**2. Be careful about deformation of the Sealing Pad**

The Sealing Pad plays an important role to integrate the record disc and turntable platter and keep the condition for a long period. Never put anything on the Sealing Pad to deform it; air-suction may become impossible.

The Sealing Pad is detachable. Consult your nearest LUXMAN dealer for replacement parts when it goes wrong.

**3. Select firm and strong place to set the PD300.**

The PD300 is designed to shut off harmful inner resonance and external vibrations, but of course better performance can be expected when it is put on the firm and strong place where unwanted vibrations are not caused.

## BEFORE CONSULTING A SERVICE SHOP

It may be possible that some knobs or switches are accidentally operated, or some connections are detached. In some cases, these are liable to be taken as troubles. Therefore, it is advisable to make fundamental check by use of the "Trouble Shooting" listed below. When you find the trouble is not cured by this procedure, contact your nearest service shop.

		CAUSE	MEASURE
<b>SYMPTOM</b>	Turntable Platter does not rotate.	<ul style="list-style-type: none"> <li>● Drive-belt is incorrectly set.</li> <li>● The AC Power Switch (11) is not turned on.</li> </ul>	<ul style="list-style-type: none"> <li>● Set it correct.</li> <li>● Turn it on.</li> </ul>
	Air- suction is insufficient.	<ul style="list-style-type: none"> <li>● Record disc, turntable platter, or Sealing Pad is dirty.</li> <li>● The Sealing Pad is waved.</li> <li>● Record disc is badly damaged.</li> </ul>	<ul style="list-style-type: none"> <li>● Make it clean.</li> <li>● Recover it.</li> <li>● Change the record.</li> </ul>
	Stroboscope Pattern is not stationary.	<ul style="list-style-type: none"> <li>● Correct speed adjustment is not realized.</li> </ul>	<ul style="list-style-type: none"> <li>● Adjust it correct.</li> </ul>

---

## SPECIFICATIONS

---

### [PHONO MOTOR SECTION]

<b>Driving System:</b>	Belt Drive System
<b>Motor:</b>	Brushless & Slotless DC Servo Motor
<b>Turntable Platter:</b>	30cm (12") aluminum-cast, 3.5kgs (7.7 lbs.)
<b>Inertia Moment:</b>	500kg·cm <sup>2</sup>
<b>Rotation:</b>	33-1/3 rpm, 45 rpm
<b>Adjustable Range of Rotation:</b>	±3% (33-1/3, 45 rpm independent)
<b>Wow &amp; Flutter:</b>	no more than 0.03% (W.R.M.S.)
<b>Run-up Time:</b>	within 3 seconds (with 3/4 rotation for 33-1/3 rpm)
<b>Signal-to-Noise Ratio:</b>	better than 60dB

### [ADDITIONAL FEATURES]

<b>Vacuum Disc Stabilizer:</b>	Manual Type
<b>Stroboscope:</b>	Illumination by built-in quartz oscillator
<b>Acrylic Cover:</b>	4mm-thick, detachable, 1.8kgs (4 lbs.)
<b>Insulator:</b>	Double Insulation System with Horizontal Balance Adjust Facility
<b>Tonearm Base:</b>	Detachable

### [GENERAL]

<b>Power Consumption:</b>	15W
<b>Dimensions:</b>	490(W) x 390(D) x 200(H)mm (19.6" x 15.6" x 8")
<b>Weight:</b>	Net 18 kgs (39.6 lbs.)

Specifications and appearance design subject to change without notice.

Downloaded from [www.vinylengine.com](http://www.vinylengine.com)



**LUX CORPORATION, JAPAN**

1-1, 1-CHOME, SHINSENRI-NISHIMACHI, TOYONAKASHI,  
OSAKA, JAPAN PHONE: 06-834-2222 TELEX: J63694

ME0184-0181-Ⓔ

Printed in Japan.