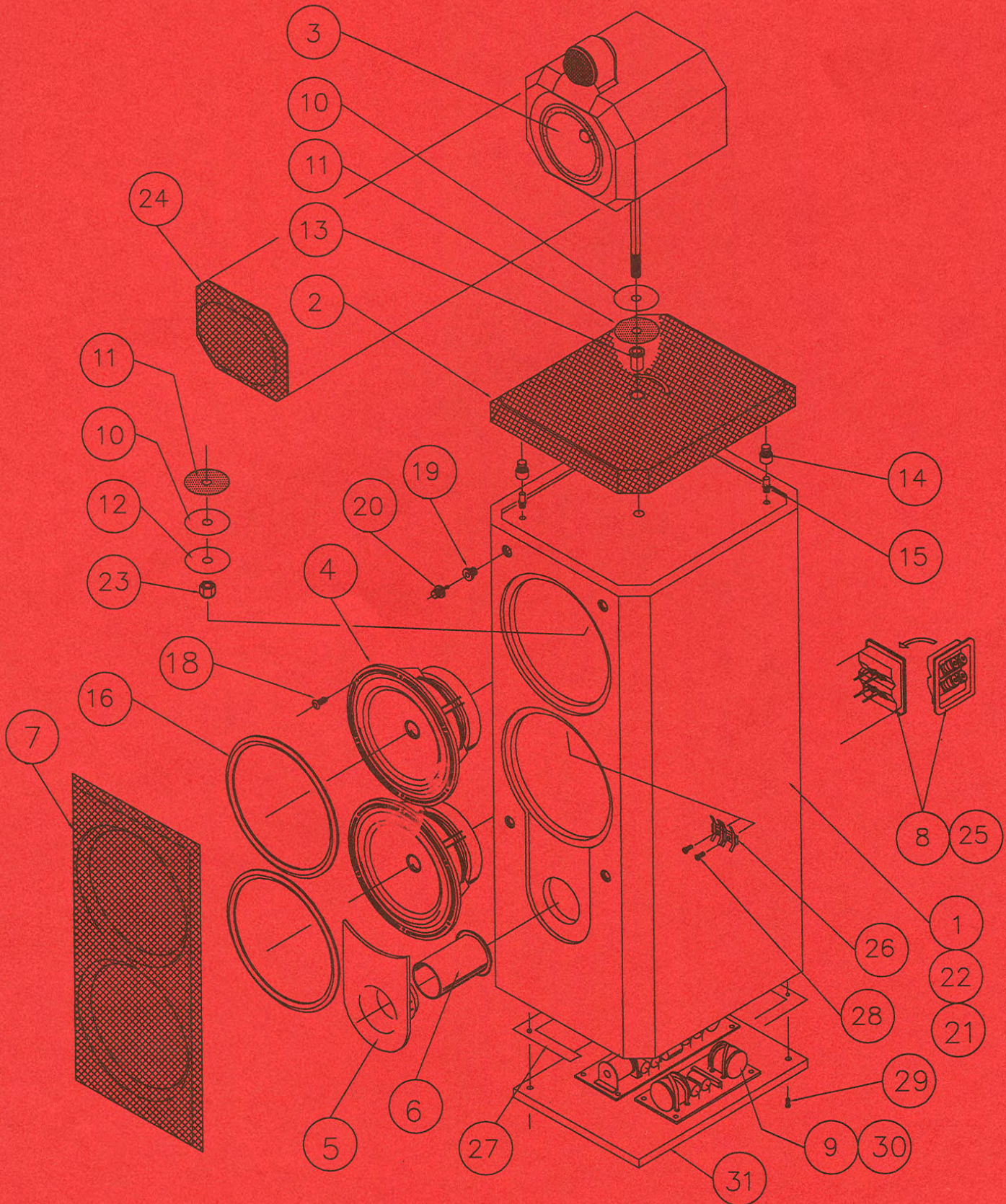


802 SERIES 3
SERVICE MANUAL





TITLE **802 SERIES 3
G/A PARTS LIST**
DATE 4:9:91 © 1991 DRAWN MCC

DRG NO. ISSUE
A2106-22 (1)

ITEM	QTY	Code No	DESCRIPTION	Drq No
		802-S3-B	Complete assembly black ash	C2106
1	1	Y6273	Cabinet assembly Black Ash	C1548s3
2	1	ZZ8905	Top cover	C1548s3
3	1	ZZ9710	MR & HF Head assembly	B2073
4	2	ZZ8073	Bass assembly	B2107
5	1	P7829	Port trim	B1543
6	1	P7684	Port tube	A1934
7	1	ZZ3556	Grille assembly (Bass)	C1548s3
8	1	ZT0172	Terminal tray assembly	
9	1	ZZ8082	X-OVER & Harness assembly	A2095
10	2	H9120	Nylon washer	A1981
11	2	H9131	Rubber washer	A2038
12	1	H9145	Steel washer	A2037
13	1	H9153	Rubber bush	A1983
14	4	P1155	Stand off (Rubber)	A1647
15	4	P1100	Location peg (top cover)	A2036
16	2	R4197	Trim ring (BASS)	B1732
17				
18	12	H0019	Screw No6x3/4"Pan hd pozi	
19	4		Socket (EELON) ref cabinet ass'y	
20	4		Grille peg (EELON) ref grille ass'y	
21	4	S3840	Floor spike	A1736
22	4	H4073	Nut M4	
23	1	H9100	Nut M12 lock nut	
24	1	ZZ2682	Grille assembly (M/R)	
25	1	S1990	Serial label	A2078
26	1	T0110	Terminal block (UTILUX)	A2087
27	1	G0642	Gasket (x-over cover plate)	A2088
28	2	H0019	Screw No6x3/4"Pan hd pozi	
29	8	H9089	Screw No6x30lg csk hd pozi	
30	9	F1015	P.C.B. Post (RICHCO)BHDL-04-01	
31	1	P1992	Base board ref cabinet ass'y	



TITLE 801/802 SERIES 3
MIDRANGE/HF HEAD ASS'Y.

DRG NO.

ISSUE

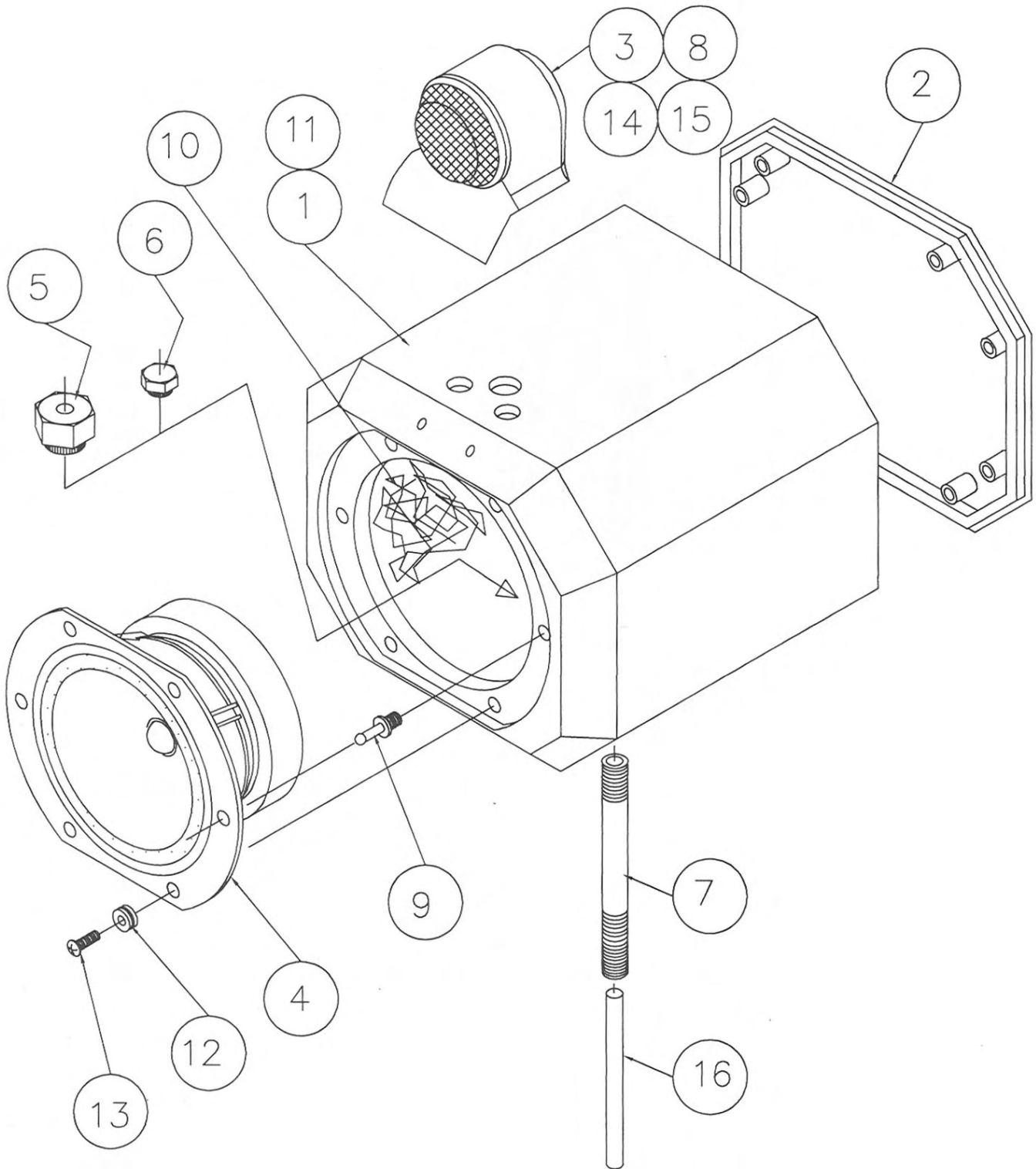
A2073-12 (1)

DATE 19:8:91

© 1991

DRAWN DS

*attn:
André Kudette*





TITLE

TWEETER ASSEMBLY

DRG. NO.

A 1603-1 -1

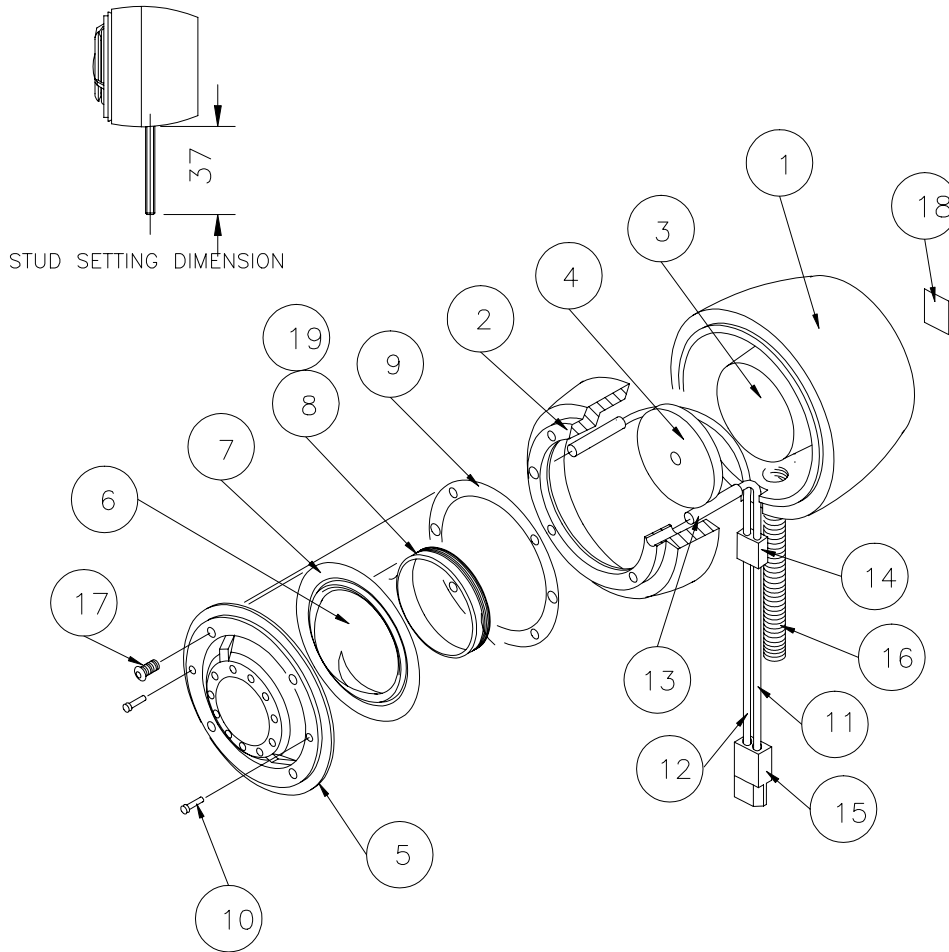
ISS

2

COPYRIGHT © 1988

DATE 24/05/88

DRAWN DS



Item	QTY	Code No	DESCRIPTION	DRG No
		ZZ04372	COMPLETE ASSEMBLY	A1603
1	1		Tweeter cup P0221	A552
2	1	CS00019	Top plate P0213	A551
3	1		Pole piece P0239	A535
4	1	MM00094	Magnet MC4950	A1608
5	1	RR03212	Inner Mounting Ring	B1318
6	1	DD01031	Metal Dome	A1293
7	1	SS01219	Surround	A1292
8	1	ZV00337	Coil assembly	A1541
9	1	GG00418	Gasket	A537
10	2	PP02211	Pin Terminal RS 433-854	
11	1		Wire Red W1074	
12	1		Wire Black W1066	
13	2	ZH00833	Silicone Rubber Tube 12lg S3319	A2095
14	1		Sleeving S3336	
15	1		Connector housing/terminals P2038+P2046 2off	
16	1	HH01260	Stud M4x43lg	
17	4	HH01228	Screw M2x5 pan hd pozi	
18		LL00434	Label	A1607
19	A/R	AA05320	Ferrofluid	

B&W

TITLE

Midrange General Ass'y

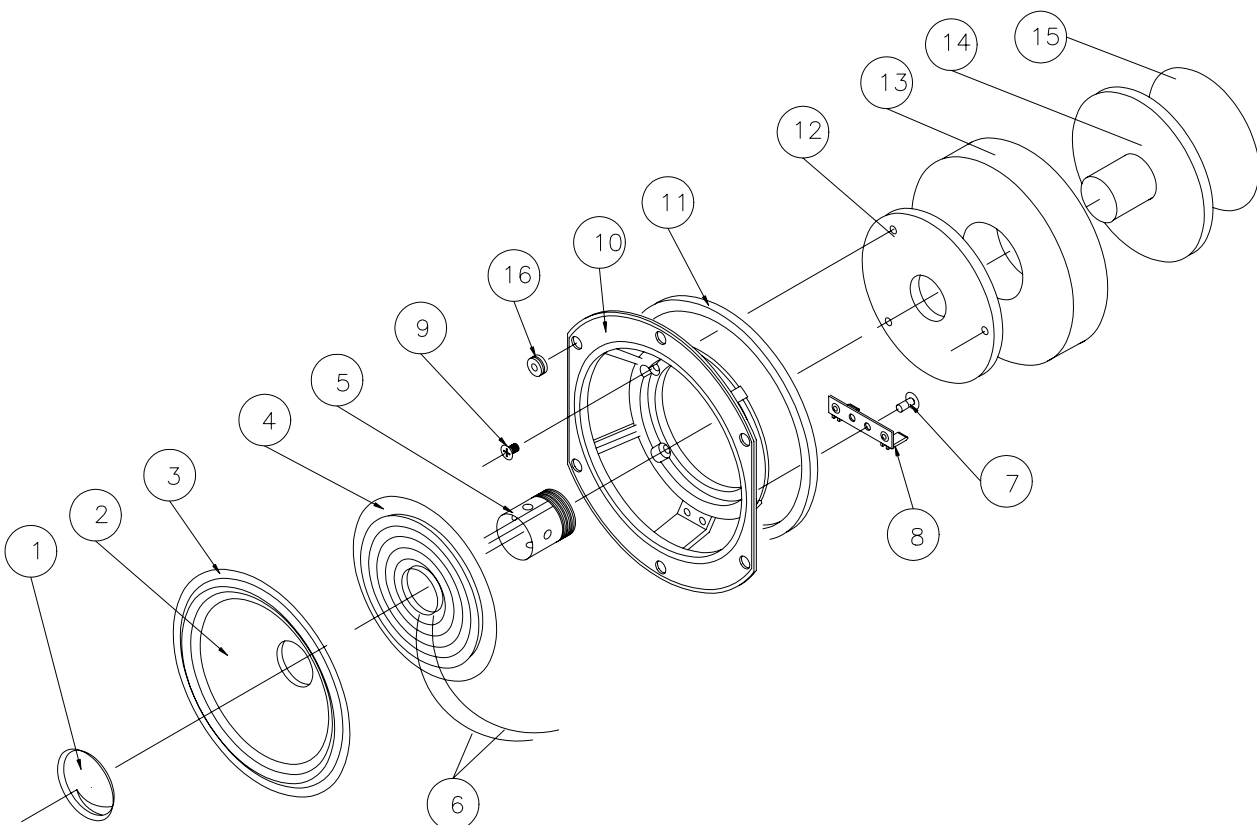
COPYRIGHT © 1992 DATE 25/05/92 DRAWN DS

DRG. NO.

A 1360-1 -2

ISS (3)

PART NO.
ZZ005558



ISSUE	3	SEE SHEET 2	AMENDMENT	ECR2285	6.6.06	MB
				ECN No.	DATE	APPROVAL



TITLE
Midrange G.A. Parts List

DRG. NO.
A 1360-2 -2

ISS
3

COPYRIGHT © 1992 DATE 25/05/92 DRAWN DS

PART NO.
ZZ00558

Item	QTY	Code No	DESCRIPTION	REMARKS	Drg No
		Z0Z0558	COMPLETE ASS'Y		B1360
			Cone to coil ass'y		
			Chassis ass'y		
			Magnet ass'y		
1	1	DD00124	Dust cap		A1300
2	1	ZS00191	Cone	ZM0027/C	A1601
3	1		Surround	S1058	
4	1	SS00558	Rear suspension		A928
5	1	ZV00108	Coil ass'y		A1602
6	2	TT73660	Tinsel		
7	1	HH01058	Screw No6x1/4" pan hd pozi		
8	1	TT00892	Tag panel		
9	3	HH06092	Screw M4x9lg csk. hd. pozi		
10	1	CC05109	Chassis		C670
11	1	GG00069	Gasket		A668
12	1	PP00035	Front plate		A659
13	1	MM00019	Magnet ceramic		A1507
14	1	PP00043	Back plate/pole piece		A660
15	1	LL00167	Label		
16	1	GG02135	Grommet G72		

3	TT73660 WAS TT1856B	ECR2285	6.6.06	MB
ISSUE	AMENDMENT	ECN No.	DATE	APPROVAL



TITLE **801/802 SERIES 3
MIDRANGE/HF HEAD ASS'Y.
PARTS LIST**

DATE 19:8:91 © 1991 DRAWN DS

DRG NO. ISSUE
A2073-22 (1)

ITEM	QTY	Code No	DESCRIPTION	Drg No
		ZZ9710	MR/HF Head complete ass'y	B2073
		<i>203.00</i>		
1	1	C8750	MR Cabinet moulding	C1313S3
2	1	C8028	MR Back moulding	C1347
3	1	ZZ4372A	Tweeter assembly	A1603
4	1	ZZ0558	MR Unit assembly	B1360
5	1		MR Head stud insert Ref.Head Assy	A1985
6	1		Head stop insert Ref. Head Assy	A1986
7	1	H9185	Head fixing stud	A1982
8	1	H5249	Washer rubber	
9	2	P1120	Retaining peg	A1068
10	.35gm	W2763	Wool waste 70gm	
11	A/R		Fibrecrete	
12	4	G2135	Grommet Reference Only	
13	4	H1503	Screw M4x12 csk hd pozi	
14	1	H4030	M4 full nut	
15	1	H5177	Washer 4.5 I/D x 15 O/D	
16	1	S3549	Hellerman Sleeve P/SFM64 x 125	

PRODUCTION NOTE: -

1. Fit items 5 and 6 to cabinet moulding from inside.
2. Item 1 and 2 glue on ass'y. Fill M/R cabinet ass'y with Fibrecrete item 11 A/R.
3. Item 7 Loctite in pos'n in cabinet ass'y, item 1.
4. Cabinet moulded assy. spray black eggshell see spec sheet No.

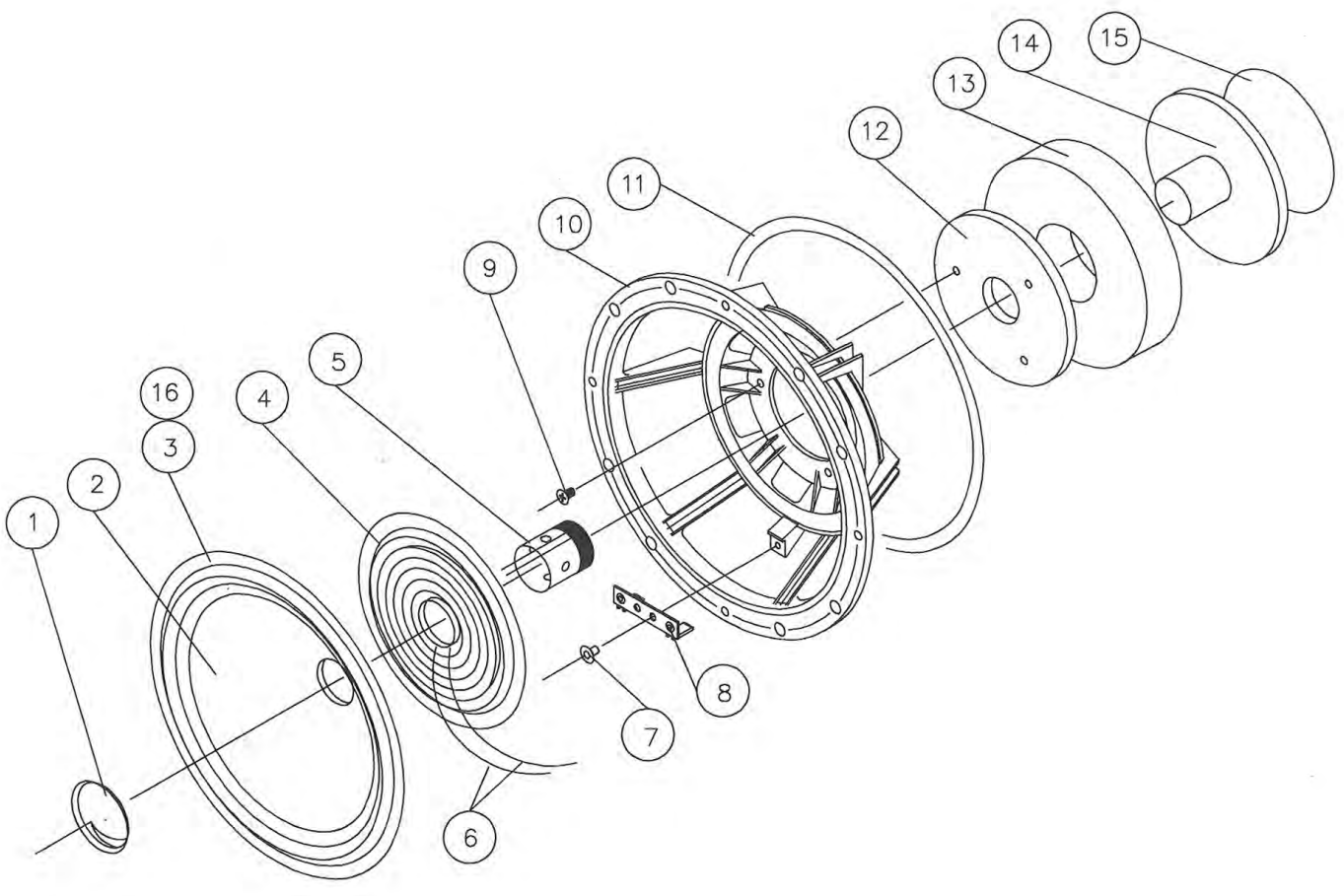


TITLE
**802 SERIES 3 BASS
GENERAL ASSEMBLY**

DATE 9:9:91 © 1991 DRAWN DS

DRG NO. A2107-12

ISSUE **1**





TITLE **802 SERIES 3 BASS
G/A PARTS LIST**

DRG NO.

ISSUE

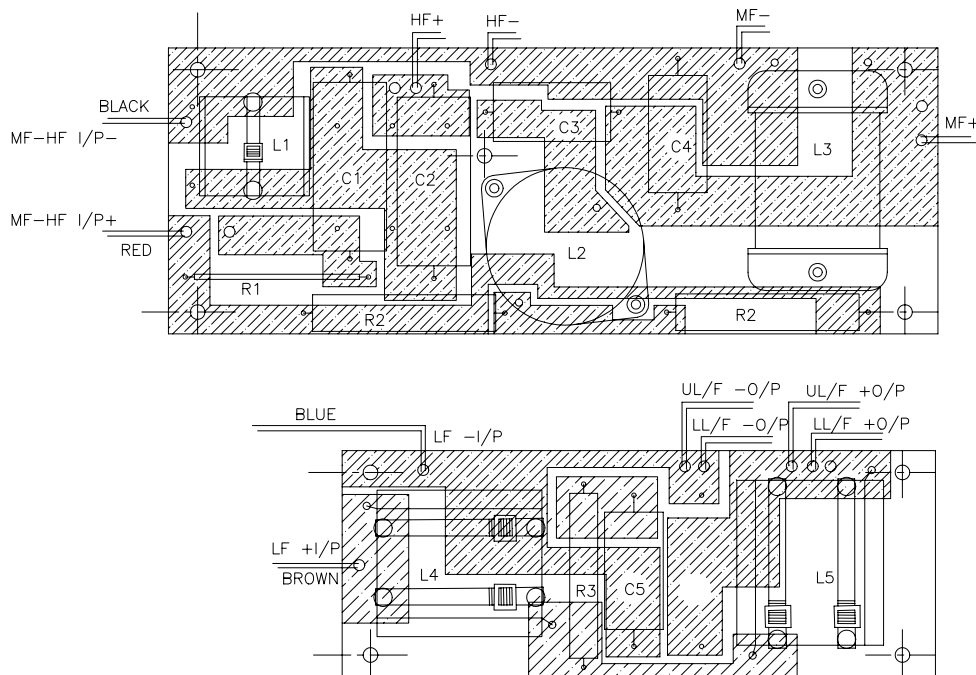
A2107-22 (1)


DATE 9:9:91

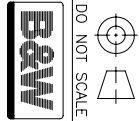
© 1991

DRAWN DS

Item	QTY	Code No	DESCRIPTION	REMARKS	Drg No
		ZZ8073	COMPLETE ASS'Y		B2107
		ZC8073	Cone to coil ass'y		
1	1	D0183	Dust cap		A1915
2	1	C8810	Cone		A2108
3	1	S1279	Surround		A1793
4	1	S0689	Rear suspension		A1010
5	1	ZV0476	Coil ass'y		A2109
6	2	T1856B	Tinsel		
7	1	R3972	Pop rivet		
8	1	T0892	Tag panel		
9	3	H1465	Screw csk hd pozi M4x10lg		
10	1	C5665	Chassis		C1690
11	1	G0574	Gasket		A1898
12	1	P0549	Front plate		A1223
13	1	M0248	Magnet ceramic		A2076
14	1	P0558	Back plate/pole piece		A1223f
15	1	L7062	Label		A2110
16	1	R4260	CARD RING		A1892



 DO NOT SCALE	DIMENSIONS IN mm TOLERANCES 0. ± 0.5 0.0 ± 0.3 0.00 ± 0.1 ANGLES ± 0.5° UNLESS OTHERWISE STATED	MATERIAL	3 SEE PARTS LIST MOD 27/4/92 2 MOD PARTS LIST 29/10/91 1 1st ISSUE 22/7/91				COPYRIGHT © 1991 DRAWN DS DATE 22/08/91		PART NO.
	FINISH	ISS AMENDMENT ECN NO. DATE APPROVAL TITLE CROSSOVER ASSEMBLY 802s3				CHECKED SYSTEM	APPROVED SYSTEM	DRG. NO.	ISS
			FULL DRG SIZE A3				SCALE NTS	A2095-1 -3 ③	



DO NOT SCALE
DIMENSIONS IN mm
TOLERANCES
0 ± 0.5
0.0 ± 0.3
0.00 ± 0.1
ANGLES ± 0.5°
UNLESS OTHERWISE STATED

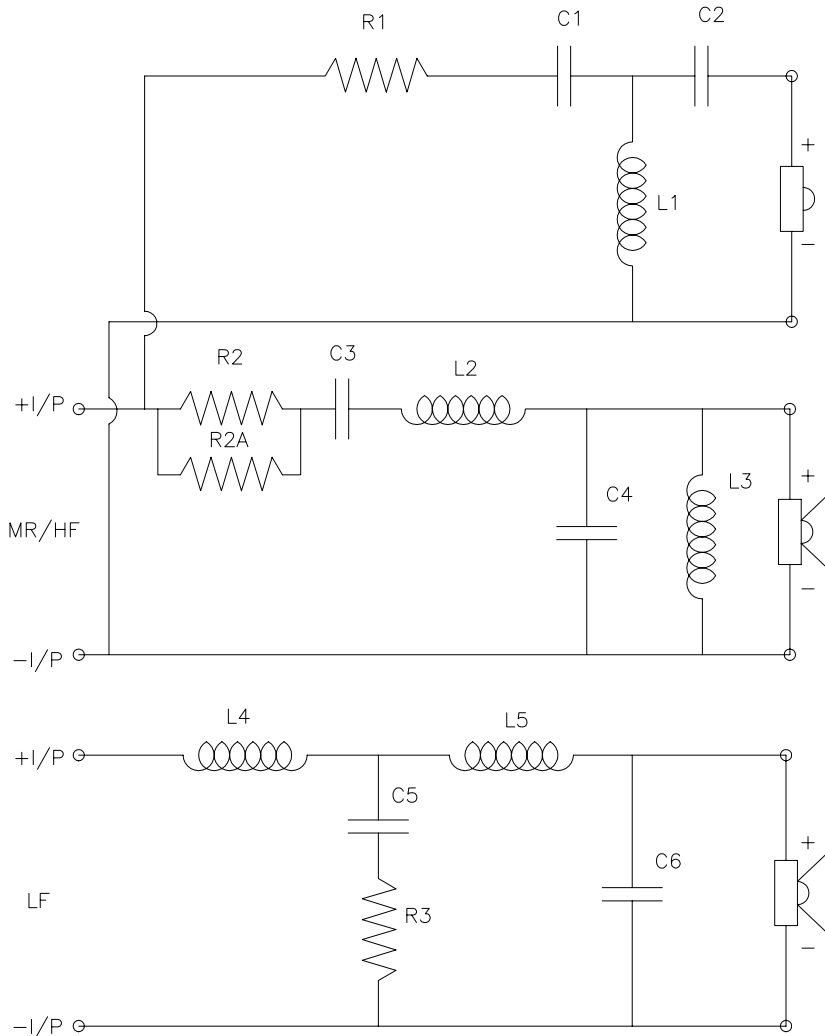
MATERIAL
FINISH

ISS TITLE
3 RIVET WAS R4006
2 R3 WAS TR8 ADD CODE No
1 1st ISSUE

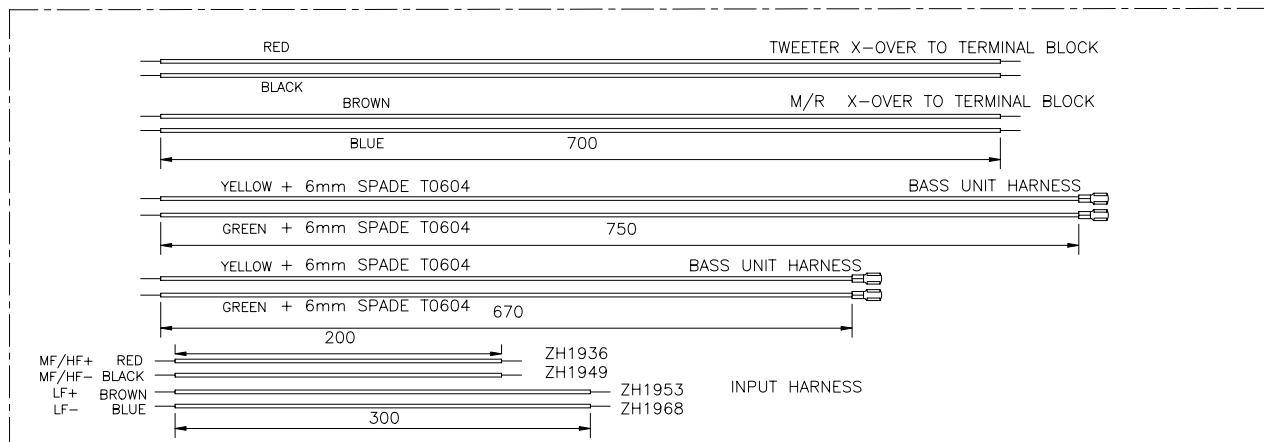
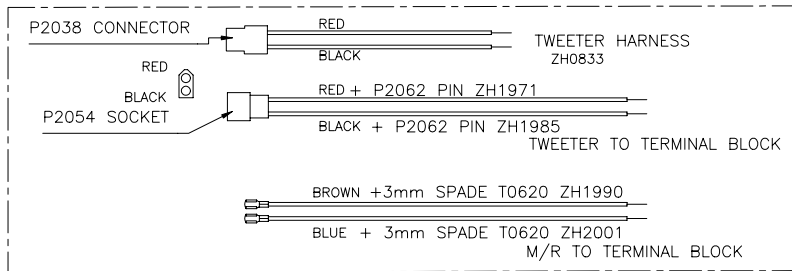
AMENDMENT
ECN NO. DATE APPROVAL

COPYRIGHT © 1991 PART NO.
DRAWN DATE
DS 22/08/91 ZX8082
CHECKED / APPROVED
SYSTEM

SCALE NTS
FULL DRG SIZE A3
DRG. NO. A2095-3-3
ISS



Item	Code No	Component	Value	Remarks
	ZZ8082	Complete ass'y		Drg No A2095
C1	C1850	Capacitor	4.7uF	160V POLYPROP
C2	C1834	Capacitor	10uF	160V POLYPROP
C3	C1112	Capacitor	26uF	70V ELEC REV 5%
C4	C1066	Capacitor	10uF	70V ELEC REV 5%
C5	C1627	Capacitor	150uF	70V ELEC REV 5%
C6				Not required
R1		LINK		
R2	R1732	Resistor	3R3	7 WATT Wirewound
R2A	R1732	Resistor	3R3	7 WATT Wirewound
R3	R1791	Resistor	R56	7 WATT Wirewound
L1	ZL0175	Inductor	0.2mH	
L2	ZL0418	Inductor	1.5mH	
L3	ZL0027	Inductor	1.0mH	
L4	ZL1252	Inductor	2mH	
L5	ZL1252	Inductor	2mH	
RT	R3980	Rivet		
CT	C6513	TIE		
PCB	C4855	Board		L.F. PCB
PCB	C4861	Board		H.F. PCB



	DIMENSIONS IN mm TOLERANCES 0. ± 0.5 0.0 ± 0.3 0.00 ± 0.1 ANGLES ± 0.5° UNLESS OTHERWISE STATED	MATERIAL	3 SEE PARTS LIST FOR MOD. 27/4/92 2 MOD HARNESS 29/10/91 1 1st ISSUE 22/8/91	ECN NO. DATE APPROVAL _____	COPYRIGHT © 1991 DRAWN DS DATE 22/08/91 CHECKED / APPROVED SYSTEM SYSTEM	PART NO. ZX0482
	FINISH	ISS AMENDMENT ECN NO. DATE APPROVAL _____	CHECKED / APPROVED SYSTEM SYSTEM SCALE NTS FULL DRG SIZE A3	DRG. NO. ISS A2095-2 -3 ③		
TITLE CROSSOVER ASSEMBLY 802s3						