

V U L C A N E L E C T R I C R A N G E S E R I E S

VULCAN**36" ELECTRIC
RESTAURANT RANGE**

Model EV36-S-6FP-208 shown with optional casters

- EV36-S-6FP-208 6 French Plates / Standard Oversized Oven / 208V
- EV36-S-6FP-240 6 French Plates / Standard Oversized Oven / 240V
- EV36-S-2FP-24G-208 2 French Plates / 24" Griddle Standard Oversized Oven / 208V
- EV36-S-2FP-24G-240 2 French Plates / 24" Griddle Standard Oversized Oven / 240V

STANDARD FEATURES

- Fully MIG welded aluminized steel frame for added durability
- Stainless steel front, sides, back riser, shelf and legs
- Six 9 1/2" round, 2 KW French plates with infinite heat control switches
- Full width pull out crumb tray
- 5 KW oven with top browning control
- Thermostat adjusts from 200°F to 500°F
- Cool to the touch control knobs and oven handle
- One oven rack and three rack positions
- 18" x 26" sheet pans fit side to side and front to back
- Requires 208 volt or 240 volt, 1 or 3 phase power supply (Ranges shipped in 3 phase and are field convertible to single phase)
- One year limited parts and labor warranty

SPECIFICATIONS

36" wide electric restaurant range, Vulcan Model No. EV36-S-6FP-208. Fully MIG welded aluminized steel frame for added durability. Stainless steel front, sides, back riser, plate shelf and 6" adjustable legs. Six 9 1/2" round French plates, 2 KW input per plate. Full width pull out crumb tray located beneath the cooking top. Comes with one standard oversized oven. Oven interior measures 26 1/2"w x 26 3/8"d x 14"h. Comes with one oven rack and three rack positions. Oven door is heavy duty with an integrated door hinge / spring mechanism, requiring no adjustments. 5 KW input. Top browning heat control. Thermostat adjusts from 200°F to 500°F. Oven controls are protected from heat in an insulated side compartment. Requires 208 or 240 volt, 1 or 3 phase power supply. All ranges are shipped in 3 phase and are field convertible to single phase.

Exterior Dimensions:

34 2/3"d x 36"w x 58"h on 6" adjustable legs

**OPTIONAL FEATURES (Factory Installed)**

- 12" x 24" thermostatically controlled hot top sections, 5 KW input, in place of one French top section. On/off switch and four position heat control. **Note:** Hot top sections increase power consumption and line amp draw. Consult customer service for KW and line amp information when specifying or ordering units with hot tops.
- Available with a 12", 24" or 36" wide, 7/8" thick griddle plate in place of French plate sections. One thermostat provided for each 12" griddle width. Griddles are supplied on the right side only.
- Available in 480 volt

ACCESSORIES (Packaged and Sold Separately)

- Extra oven rack
- Set of four casters (two locking)

VULCAN**Vulcan & Wolf Range**

a division of ITW Food Equipment Group LLC

P.O. Box 696 ■ Louisville, KY 40201 ■ Toll-free: 1-800-814-2028 ■ Local: 502-778-2791 ■ Quote & Order Fax: 1-800-444-0602



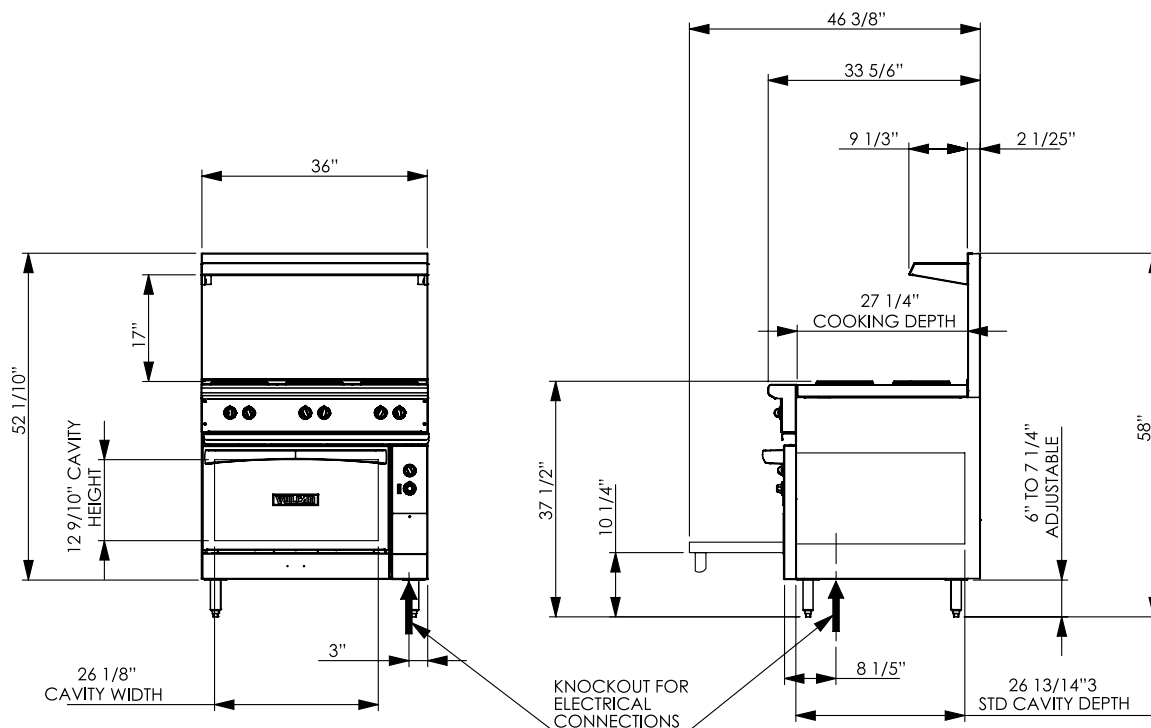
36" ELECTRIC RESTAURANT RANGE

INSTALLATION INSTRUCTIONS

<u>Clearances from Combustible Construction</u>	<u>Rear</u>	<u>Sides</u>
Range only	0"	0"
Range and ESB		
Salamander Broiler	2"	8"

Clearance Note: Electric Ranges are 0 inches, sides and 0 inches rear from combustible and non-combustible constructions **except when hot top sections are incorporated.**

Ranges incorporating hot top sections are 0 inches sides and 0 inches rear to non-combustibles and **6 inches sides and 6 inches rear to combustible constructions.**



AVAILABLE VOLTAGES - 208 OR 240 VOLT - 1 OR 3 PHASE												
3 PHASE LOADING					NOMINAL AMPS PER LINE WIRE							
MODEL NUMBER	TOTAL CONNECTING KW	KW PER PHASE			3 PHASE						1 PHASE	
					208 VOLT			240 VOLT				
		X-Y	Y-Z	X-Z	X	Y	Z	X	Y	Z	208V	240V
EV36-S-6FP-208	17.0	4.0	8.0	5.0	37.5	50.0	54.1	--	--	--	81.7	--
EV36-S-6FP-240	17.0	4.0	8.0	5.0	--	--	--	32.5	43.3	46.9	--	70.8
EV36-S-2FP-24G-208	15.8	4.0	6.8	5.0	37.5	45.0	49.1	--	--	--	76.0	--
EV36-S-2FP-24G-240	15.8	4.0	6.8	5.0	--	--	--	32.5	39.0	42.6	--	65.8

Note: To calculate 480 volt amps, take 240 volt amp ratings shown and divide by two.

This appliance is manufactured for commercial use only and is not intended for home use.



Vulcan & Wolf Range
a division of ITW Food Equipment Group LLC

P.O. Box 696 ■ Louisville, KY 40201 ■ Toll-free: 1-800-814-2028 ■ Local: 502-778-2791 ■ Quote & Order Fax: 1-800-444-0602