

THUNDERBIRD[®]

BRAND OF U.S.A.
Bakery Equipment & Food Machines.

THUNDERBIRD[®]



TB-300E

Capacity: 10-15 lbs.(5-7 kg) per minute on first grind through a 3/16" plate

Overall Dimensions: L 555 m/m H 255 m/m W 390 m/m

Base Dimensions: L 540 m/m H 240 m/m W 375 m/m

Net Weight: 25 kgs

Shipping Weight: 120 kgs/4 units

Motor: 1/2Hp, 110V/220V, 50Hz/60Hz



Thunderbird Food Machinery Inc.

P.O. BOX 3258, BLAINE, WA, 98231 U.S.A

Tel: 1-800-7-MIXERS, (1-800-7649377)/1-800-626-5168, 1-888-839-7789

1-360-366-9328, 1-604-576-8957, 1-360-366-0997

Fax: 360-366-0998, 604-576-8527, 604-535-4699

WEBSITE: <http://www.tbfm.com>

<http://www.thunderbirdfm.com>

<http://www.thunderbirdfm.net>

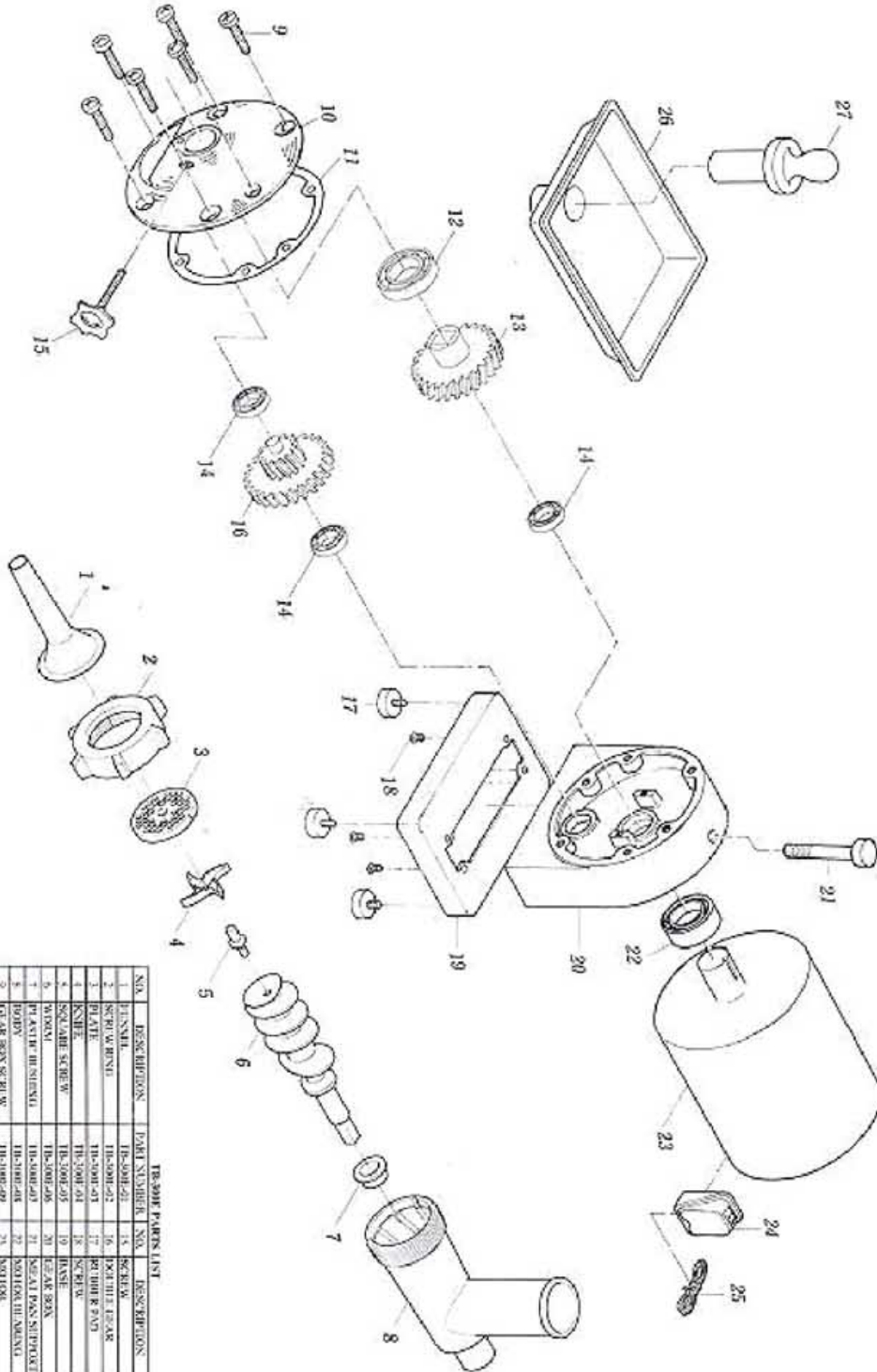
E-mail: tbfm@tbfm.com

Dealer:

THUNDERBIRD[®]

BRAND OF U.S.A

Bakery Equipment & Food Machines.



THUNDERBIRD PARTS LIST

NO.	DESCRIPTION	PART NUMBER	NO.	DESCRIPTION	PART NUMBER
1	ROCKER	TH-1000-41	14	SCREW	TH-1000-44
2	ROCKER BRUSH	TH-1000-42	15	ROCKER BRUSH	TH-1000-45
3	PLATE	TH-1000-43	16	ROCKER PIN	TH-1000-46
4	SCREW	TH-1000-44	17	ROCKER PIN	TH-1000-47
5	SCREW	TH-1000-45	18	SCREW	TH-1000-48
6	ROCKER	TH-1000-46	19	ROCKER	TH-1000-49
7	ROCKER BRUSH	TH-1000-47	20	ROCKER BRUSH	TH-1000-50
8	ROCKER BRUSH	TH-1000-48	21	ROCKER BRUSH	TH-1000-51
9	ROCKER BRUSH	TH-1000-49	22	ROCKER BRUSH	TH-1000-52
10	ROCKER BRUSH	TH-1000-50	23	ROCKER BRUSH	TH-1000-53
11	ROCKER BRUSH	TH-1000-51	24	ROCKER BRUSH	TH-1000-54
12	ROCKER BRUSH	TH-1000-52	25	ROCKER BRUSH	TH-1000-55
13	ROCKER BRUSH	TH-1000-53	26	ROCKER BRUSH	TH-1000-56
14	ROCKER BRUSH	TH-1000-54	27	ROCKER BRUSH	TH-1000-57