

THUNDERBIRD®

GERMAN TECHNOLOGY

BRAND OF U.S.A.



Building The Best Buy Mixers for The Smart Consumers!



**Models ARM-01
ARM-02**



Features

THUNDERBIRD models ARM-01 and ARM-02 planetary mixers are heavy-duty, precision crafted, versatile machines. These all-purpose mixers use a powerful, planetary mixing action to thoroughly blend, mix and aerate all ingredients with consistent and predictable results. The wide-faced, hardened alloy steel helical gears deliver energy at pre-selected fixed speeds. Models are available in 10 and 20-quart sizes with a selection of optional bowls to provide additional capacity and flexibility. Each mixer comes standard with a stainless steel bowl, spiral dough hook, batter beater and wire whip. The heavy-duty, stainless steel, wire front bowl guard opens easily for adding ingredients. The bowl guard interlock prevents the mixer from running if guard is opened or the bowl is lowered. The units feature moisture resistant switches and No-Volt Release. The ARM-02 has a 15-minute timer that automatically shuts off the machine in any speed after the predetermined time has elapsed.

Optional Accessories

- ARM-02B -#12 Taper Hub Vegetable Shredder/Plate Holder for ARM-02 only.
- ARM-02A-#12Taper Hub Meat Grinder for ARM-02, ARM-01A,#8 taper hub meat grinder for ARM-01.
- Bowl Dolly For ARM-02
- Reduction Set(ARM-02 only)
- EXTENDED WARRANTY up to 6 years.

Standard Features

- Model ARM-01 10-Qt. Mixer with 3-speed,1/2HP(continuous duty),totally enclosed, and permanently lubricated, thermally protected motor; furnished in 115/60/1, 8.5 amp, AC,ETL listed; also available in 220/60/1 and 220/50/1. at additional cost.
- Model ARM-02 20-Qt. Mixer with 3-speed,3/4HP(continuous duty),totally enclosed, and permanently lubricated, thermally protected, motor; furnished in 115/60/1, 14 amp, AC,ETL listed; also available in 220/60/1 and 220/50/1. at additional cost.
- Wide-faced, hardened alloy steel, helical gears fully sealed in lubricant with heavy-duty ball bearings and clutch combine for highly dependable, quiet operation
- 3 Pre-selected, fixed speeds
- Manual bowl lift is lever operated, interlocked and self-locking in top position
- 15-minute timer for continuous or timed operation, automatically shuts off the machine any speed after the pre-determined time has elapsed on ARM-02 only
- #12 Taper hub on the ARM-02 for use with any #12 size attachments, #8 taper hub on the ARM-01
- Flat Batter Beater, Wire Whip and Spiral Dough Hook
- Bowl Guard with interlock prevents the mixer from running if guard is opened.
- No-Volt Release prevents activation of the mixer in the event of a power interruption; operator must restart the mixer
- Highly reliable, moisture resistant stop and start switches
- Cast base construction; finish is silver metallic epoxy powder coat enamel for easy cleaning
- Attached 6-foot, flexible, 3-wire cord and plug for grounded receptacle.

THUNDERBIRD FOOD MACHINERY INC.

P.O. BOX 4079, BLAINE, WA. 98231 U.S.A. • TEL: 1-800-7-MIXERS • 1-888-839-7789 • 1-800-626-5168
1-360-366-9328 • 1-604-576-8957 • 1-360-366-0997 • FAX: 1-360-366-0998 • 604-576-8527 • 604-535-4699

4602 BRASS WAY, DALLAS, TX. 75236, U.S.A. • TEL: 1-866-7-MIXERS • 1-214-331-3000(8 lines) • 1-888-888-4181
FAX: 214-331-3581(2 lines) • WEBSITE: www.thunderbirdfm.net • <http://www.thunderbirdfm.com>
E-mail: tbfm@tbfm.com

©THUNDERBIRD 2003.01



Models ARM-01/ARM-02(Planetary Mixers)

Model No.	Bowl capacity	Product Dimensions		
		Width A	Depth B	Height C
ARM-01	10-Qts(10.5Liters)	14"(360mm)	18"(460mm)	24"(610mm)
ARM-02	20-Qts(21 Liters)	15"(380mm)	22"(560mm)	32"(815mm)

Specifications

Design: Heavy-duty, all purpose mixers use a powerful, planetary mixing action to thoroughly blend, mix and aerate all ingredients with consistent and predictable results.

Motor/Electrical: Model ARM-01 10 Qt .Mixer with 3-speed .1/2 HP (continuous duty), totally enclosed, and permanently lubricated, thermally protected motor; furnished in 115/60/1, 8.5 amp, AC, ETL listed. Also available in 220/60/1,ETL listed.at additional cost.

Model ARM-02 20Qt .Mixer with 3-speed ,3/4 HP (continuous duty), totally enclosed, and permanently lubricated, thermally protected motor; furnished in 115/60/1, 14 amp, AC, ETL listed. Also available in 220/60/1 ,ETL listed. at additional cost.

Finish/construction: Cast base finished in metallic silver, epoxy powder coat enamel for easy cleaning.

Transmission: Wide-faced, hardened alloy steel, helical gears fully sealed in transmission lubricant with heavy-duty ball bearings and clutch combine for highly dependable, quiet operation.

Speeds:3 Pre-selected, fixed speeds.

Bowl Guard: Bowl Guard with interlock prevents the mixer from running if guard is opened.

Power Hub: #12Taper hub for use with any optional #12 size attachment on the ARM-02. A #8 taper hub on the ARM-01.

Controls: Highly reliable, moisture resistant switches, provide for continuous operation and on the ARM-02. a 15-minute timer automatically shuts off the machine in any speed after the pre-determined time has elapsed.

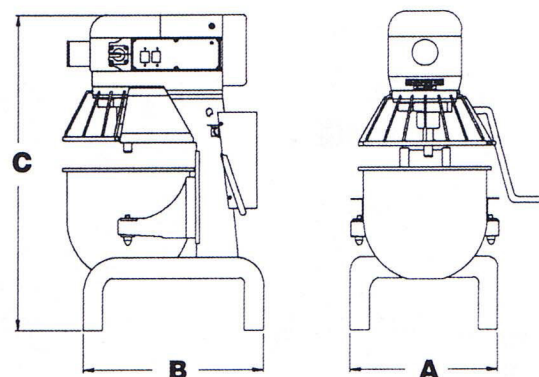
No-volt Release: Prevents activation of the mixer in the event of a power interruption; operator must restart the mixer.

Standard Equipment: The mixing unit with one stainless steel bowl, bowl guard, flat batter beater, wire whip and spiral dough hook.

Bowl lift: Manual bowl lift is lever operated and self-locking in top position.

Cord and Plug: Attached 6-foot flexible 3-wire cord and plug for grounded receptacle.

Warranty: All parts, for one and half year, exclusive of wear items.



	Motor	Electrical	Speed Range(RPM)		Weight		Box dimensions		
			Beater	Hub	Net	Ship	Width	Depth	Height
ARM-01	3-speed 1/2HP	115/60/1	40-143	97-350	74 lbs. (34kg.)	83 lbs (38 kg.)	19" (485mm)	19" (485mm)	29" (740mm)
ARM-02	3-speed 3/4HP	115/60/1	46-155	106-357	225 lbs. (102kg.)	250 lbs. (113kg.)	22" (560mm)	22" (560mm)	38" (965mm)

Specifications are necessarily subject to change without notice.

THUNDERBIRD FOOD MACHINERY INC.

P.O.BOX 4079, BLAINE, WA.98231 U.S.A. • TEL: 1-800-7-MIXERS • 1-888-839-7789 • 1-800-626-5168
1-360-366-9328 • 1-604-576-8957 • 1-360-366-0997 • FAX:1-360-366-0998 • 604-576-8527 • 604-535-4699

4602 BRASS WAY, DALLAS, TX.75236, U.S.A. • TEL:1-866-7-MIXERS •1-214-331-3000(8 lines) •1-888-888-4181
FAX: 214-331-3581(2 lines) • WEBSITE: www.thunderbirdfm.net • http://www.thunderbirdfm.com
E-mail:tbfm@tbfm.com