

Only from Nemco!

Easy Tomato Slicer™

Now anyone can get perfect, uniform tomato slices with remarkable speed!



Manufactured
In The USA 



the Slice Is Right . . . Every Time

One motion. That's all it takes. So, even your most inexperienced kitchen employee can yield precise uniform tomato slices at super speed.

Perfectly Efficient

Everything about the Easy Tomato Slicer is designed to maximize your food-prep margin. It works fast, demands very little space and gets the most out of every tomato.

- Saves labor—Place a tomato in front of the pusher, and slide it through the blade assembly for multiple uniform slices—all in less than three seconds.
- Saves food cost—Get the same slice thickness throughout, using the entire tomato, for consistent presentation and portion control.
- Saves space—We're talkin' a footprint as small as a shoebox on your counter.

Simply Easy to Use

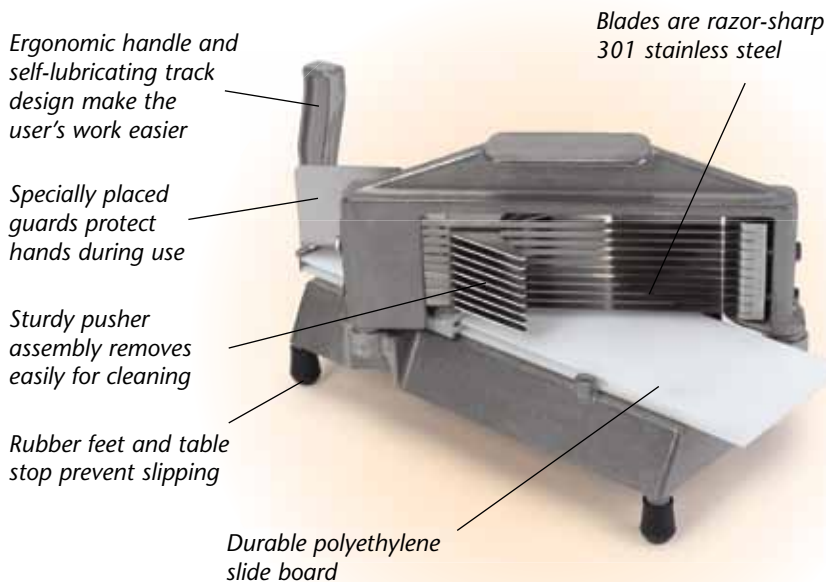
Compact, portable and operator-friendly, the Easy Tomato Slicer is a model of productivity in anyone's hands.

- It's nicely weighted, with a low, sturdy center of gravity, yet it's not cumbersome to move. It quickly sets up and goes to work virtually anywhere on the counter and stores away again—no sweat.
- The ergonomic handle and smooth-glide track eliminate operator fatigue.
- Protective guards optimize safety.

Stubbornly Built to Last

Equal parts strength and finesse make it the perfect design for maximum ROI.

- Cast-aluminum and stainless-steel construction stands up to the brutality of a commercial kitchen and cleans up with ease.
- The blades are razor-sharp 301 stainless steel for lasting performance.
- A self-lubricating track material alleviates misalignment problems that can nick or break the blades.



General Specifications

Dimensions

Equipment (w x d x h)	7¼" x 15¼" x 8¼"
Shipping carton (w x d x h)	8½" x 16½" x 9½"
Equipment weight	8 lbs.
Shipping weight	9 lbs.

Performance Specifications

Model	Slice Thickness	Slice Diameter
55600-1	¾"	Up to 3¼"
55600-2	¼"	Up to 3¼"
55600-3	⅜"	Up to 3¼"
55600-7	⅞"	Up to 3¼"

Optional Accessories

Model	Description
466-1	⅜" Blade assembly
466-2	¼" Blade assembly
466-3	⅜" Blade assembly
466-7	⅞" Blade assembly

Replacement parts are available through Nemco's 24-hour Zip Program.

Nemco reserves the right to make design, specification or model changes without notice.



"Exceeding your expectations"

Nemco® Food Equipment, Ltd.
 301 Meuse Argonne
 Hicksville, Ohio 43526
 1.800.782.6761
 419.542.7751
 419.542.6690, fax
 www.nemcofoodequip.com

