

PROJECT: _____
 LOCATION: _____
 ITEM#: _____
 QUANTITY: _____

COMPETITOR SERIES®



C-R04



C-R06



C-R08

RANGES (NATURAL GAS & LIQUID PROPANE)

- High polished, stainless steel exterior
- 25,000 BTU/Hr rating per burner
- Heavy duty cast iron removable trivets
- Porcelain enamel over steel oven interior
- Beautiful ergonomic design and easy to clean
- Chrome temperature knobs & oven handle
- Adjustable temperature oven knob
- (4) adjustable stainless steel legs
- Adjustable oven shelf
- Safety pilot oven shut-off high limit switch
- Manual ignition of burners
- Value type: Pilot lit, continuously on
- All burners and gas tubing are constructed of stainless steel
- Natural gas or liquid propane configuration
- Migali Industries® Protection Plan: 1 Year Parts & Labor Warranty

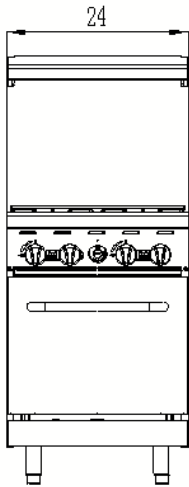
MODEL	BURNERS	TOTAL BTU NG / LP	PER BURNER BTU NG / LP	OVEN BTU/H NG / LP	IN TAKE TUBE PRESSURE (W.C.) NATURAL NG / LP	NOZZLE NO. NATURAL GAS	NOZZLE NO. LIQUID PROPANE	BURNER WORK SURFACE W X D (INCHES)	NO. OF OVENS & INTERIOR DIMENSIONS W X D X H (INCHES)	EXTERIOR DIMENSIONS W X D X H (INCHES)*	PACKAGING DIMENSIONS W X D X H (INCHES)	WEIGHT	PACKAGED WEIGHT
C-R04-NG / C-R04-LP	4	124,000 / 116,000	25,000 / 23,000	24,000 / 24,000	5 / 10	Hotplate - NG45 Oven - NG44	Hotplate - LP54 Oven - LP53	11.8 x 11.8	(1) Oven 20.6 x 25.8 x 13.9	24 x 31 x 56.4	28.3 x 39.8 x 46.9	306 lbs.	357 lbs.
C-R06-NG / C-R06-LP	6	177,000 / 165,000	25,000 / 23,000	27,000 / 27,000	4 / 10	Hotplate - NG45 Oven - NG39	Hotplate - LP54 Oven - LP52	11.8 x 11.8	(1) Oven 26.6 x 25.8 x 13.9	36 x 31 x 56.4	40.9 x 39.8 x 46.9	402 lbs.	456 lbs.
C-R08-NG / C-R08-LP	6	227,000 / 211,000	25,000 / 23,000	(2) Ovens Each @ 27,000 / (2) Ovens Each @ 27,000	4 / 10	Hotplate - NG45 Oven - NG39	Hotplate - LP54 Oven - LP52	11.8 x 11.8	(2) Ovens 26.6 x 25.8 x 13.7	48 x 31 x 56.4	52.9 x 39.8 x 46.9	628 lbs.	772 lbs.

*Total height with stainless steel backsplash and top shelf

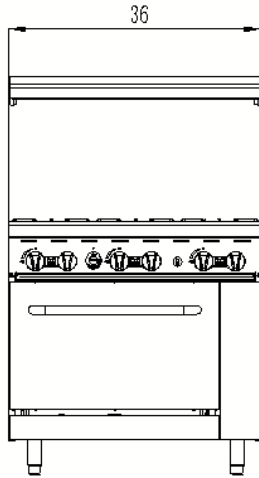
*MIGALI RESERVES THE RIGHT TO CHANGE SPECIFICATIONS WITHOUT NOTICE

DIMENSIONAL DRAWINGS

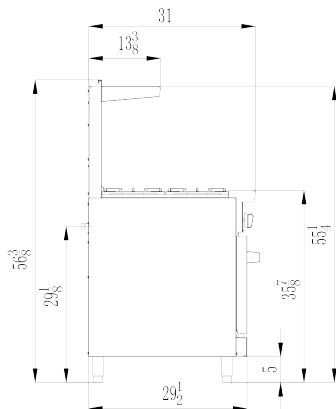
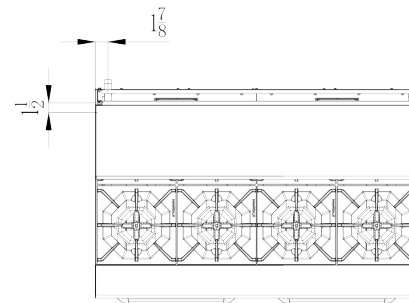
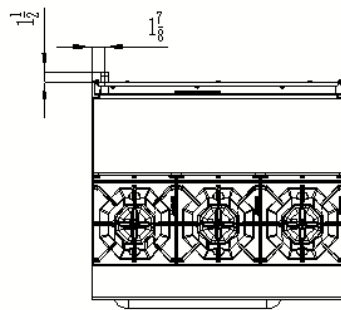
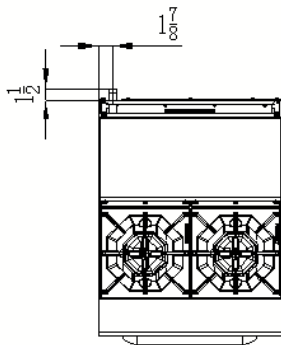
C-RO4



C-RO6



C-RO8



SIDE VIEW



MIGALI® REMAINS AN AMERICAN FAMILY COMPANY SINCE 1955