

Model Numbers

IHR-12SP IHR-18SP
IHR-24SP IHR-36SP



Spreader top provides extra working space



Optional electric Bain-Marie shown with optional faucet



Optional cut-outs are also available



IHR-12SP shown with optional stainless steel backguard with shelf



IHR-24SP shown with optional electric Bain-Marie and faucet

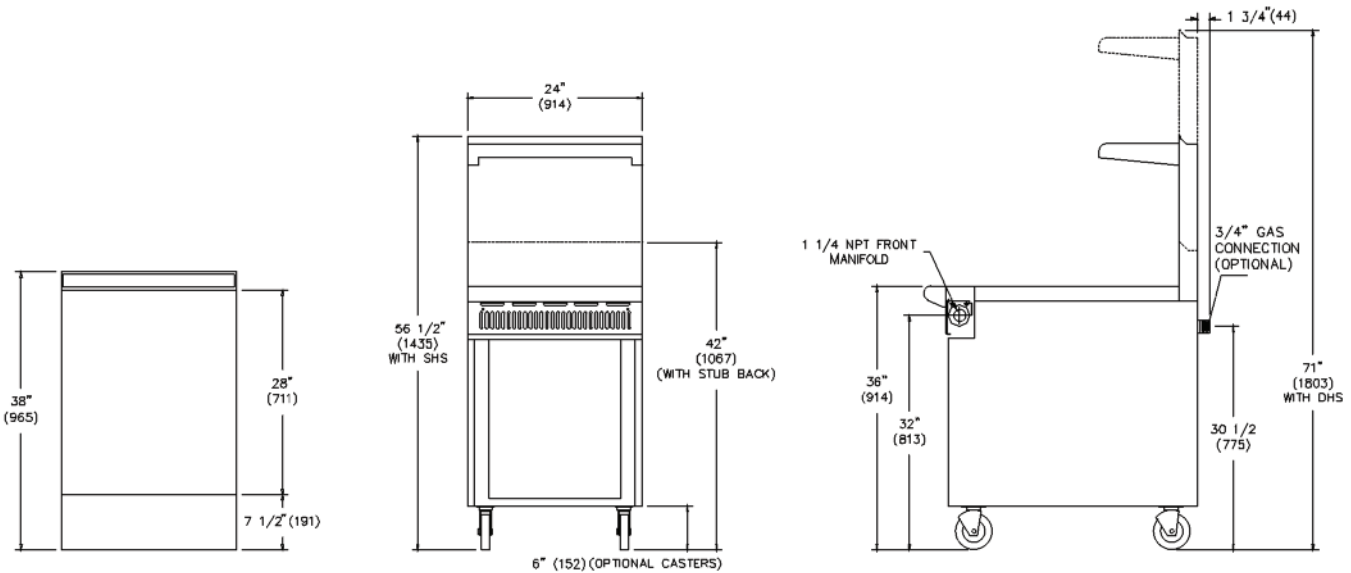
SPREADER - Provides additional working space between ranges.

- Front 1-1/4" (32 mm) manifold joins adjacent equipment.
- Manifold is protected by a stainless steel 7" (178 mm) landing ledge.
- Cabinet base has a bottom shelf for storing pans and stock pots.
- Permits rear tee connection to add sufficient gas input for a large battery of gas equipment.
- Optional electric Bain-Marie and optional faucet for added convenience for 18", 24" and 36" (457, 610, 914 mm) models.
- Optional cut-outs in work top are available to hold round inserts.

EXTERIOR FEATURES - Sleek European styling with wide radius ledge and optional high shelf.

- Stainless steel front, sides, landing ledge and open cabinet base.
- Welded and polished stainless steel seams.
- Enclosed front 1-1/4" (32 mm) manifold.
- Common ledges, backguards and shelves are available as options for a seamless, professional look.
- Large 7" (178 mm) stainless steel landing ledge.
- 6" (152 mm) high 2-1/2" (64 mm) diameter heavy duty legs with adjustable feet.
- One year parts and labor warranty.





HEAVY DUTY SPREADERS

TOP	MODEL	WIDTH	INCHES	(MM)	BASE DESCRIPTION	SHIP WEIGHT	(KG)	LBS
12" (305 MM) SPREADER	IHR-12SP	12"	(305 mm)	Open cabinet with bottom shelf	(68)	150		
18" (457 MM) SPREADER	IHR-18SP	18"	(457 mm)	Open cabinet with bottom shelf	(72)	160		
24" (610 MM) SPREADER	IHR-24SP	24"	(610 mm)	Open cabinet with bottom shelf	(88)	195		
36" (914 MM) SPREADER	IHR-36SP	36"	(914 mm)	Open cabinet with bottom shelf	(95)	210		

OPTIONS AND ACCESSORIES

- Electric bain-marie and faucet for 18", 24" and 36" (457, 610 and 914 mm) models
- Cut-outs in work top for round inserts
- Heavy duty stainless steel backguards
- Heavy duty stainless steel high shelf
- Salamander or Cheesemelter Infra-red Broilers
- Reinforcement channels for mounting cheesemelter/salamander
- Stainless steel common front landing ledge 54", 72", 90", 108" (1372, 1829, 2286, 2743 mm)
- Stainless steel interior on open cabinet base
- Stainless steel single door on 12", 18" and 24" (610, 457 and 610 mm) open cabinet base
- Stainless steel double door on 36" (914 mm) open cabinet base
- Stainless steel center shelf in open cabinet base
- 6" (152 mm) casters



Measurements in () are metric equivalents.

MODEL	DIMENSIONS	CRATED DIMENSIONS
IHR-12SP	12" w x 38" d x 36" h* (305 x 965 x 914 mm)	15" w x 41" d x 35" h (381 x 1041 x 889 mm)
IHR-18SP	18" w x 38" d x 36" h* (457 x 965 x 914 mm)	20-1/2" w x 41" d x 35" h (521 x 1041 x 889 mm)
IHR-24SP	24" w x 38" d x 36" h* (610 x 965 x 914 mm)	26-1/2" w x 41" d x 35" h (673 x 1041 x 889 mm)
IHR-36SP	36" w x 38" d x 36" h* (914 x 965 x 914 mm)	39-1/2" w x 41" d x 35" h (1003 x 1041 x 889 mm)

* to work top