



Project _____

Item # _____

Quantity _____

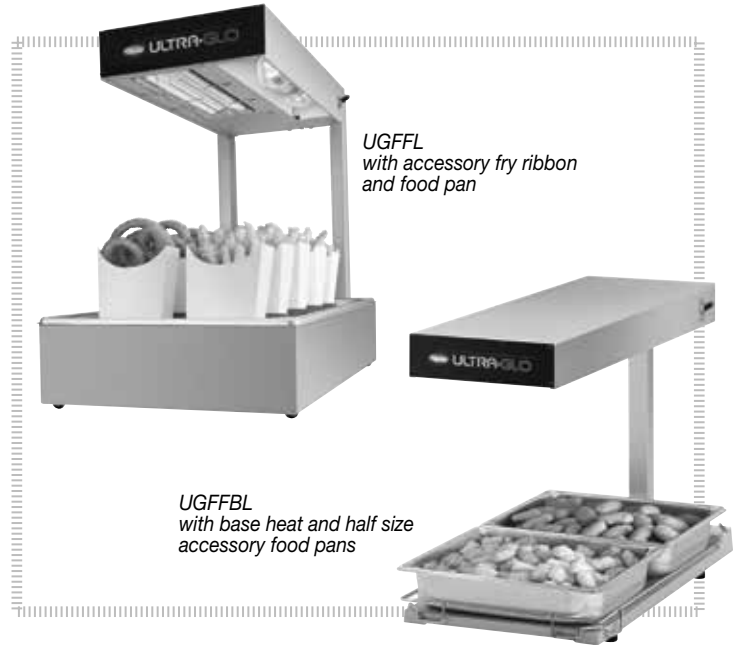
Ultra-Glo® Portable Foodwarmers

Models: UGFF, UGFFL, UGFFB, UGFFBL

Hatco Ultra-Glo® Portable Foodwarmers keep food hot at kitchen work areas, waitress pickup stations or customer serving points. Available in models and sizes to meet every food warming need.

Standard features

- Ceramic heating elements provide more distance between the heat source and the holding pan
- The distance, combined with the compact element housing, makes it easier to access the product while maintaining proper food temperatures
- Models include heat above the food, with optional base heat
- Hatco can custom design portable foodwarmers to meet customer specifications or to fit an unusual situation
- UGFF and UGFFL include a pan skirt for 12 x 20 pans
- Factory pre-wired with a 6' (1829 mm) cord and plug
- Ceramic heating elements guaranteed against burnout for one year



Options (available at time of purchase only)

Designer Colors (One color per unit, heated base is not powdercoated)

- Warm Red Black Gray Granite White Granite
- Navy Blue Hunter Green Antique Copper

Gloss Finishes (One color per unit, heated base is not powdercoated)

- Gleaming Gold Glossy Gray Bold Black Radiant Red
- Brilliant Blue

- Halogen Bulb

Accessories

- 5 Pleat Hardcoated French Fry Box Ribbon
- 8 Pleat Hardcoated French Fry Bag Ribbon
- Food Holding Pans
- Wire Trivets

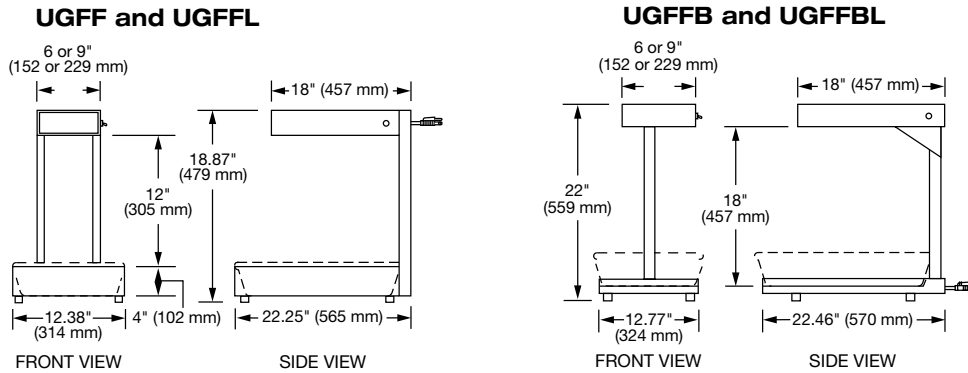
For operation, location and safety information, please refer to the Installation & Operating Manual.





Ultra-Glo® Portable Foodwarmers

Models: UGFF, UGFFL, UGFFB, UGFFBL



SPECIFICATIONS

Ultra-Glo® Portable Foodwarmers

The shaded areas contain electrical information for International models only

Model	Dimensions (Width x Depth x Height)	Volts	Phase	Watts	Amps	Plug	Ship Weight*
UGFF	12.38" x 22.25" x 18.87" (314 x 565 x 479 mm)	100	Single	625	6.3	NEMA 5-15P	15 lbs. (7 kg)
		120		750	6.3	NEMA 5-15P	
		220		630	2.8	CEE 7/7 Schuko	
		240		750	3.1	BS-1363	
		220-230 (CE)		630-689	2.9-3.0	CEE 7/7 Schuko	
		230-240 (CE)		689-750	3.0-3.1	BS-1363	
UGFFL	12.38" x 22.25" x 18.87" (314 x 565 x 479 mm)	100	Single	708	7.1	NEMA 5-15P	17 lbs. (9 kg)
		120		870	7.3	NEMA 5-15P	
		220		730	3.3	CEE 7/7 Schuko	
		240		870	3.6	BS-1363	
		220-230 (CE)		730-799	3.3-3.5	CEE 7/7 Schuko	
		230-240 (CE)		799-870	3.5-3.6	BS-1363	
UGFFB	12.77" x 22.46" x 22" (324 x 570 x 559 mm)	100	Single	875	8.8	NEMA 5-20P	25 lbs. (12 kg)
		120		1000	8.3	NEMA 5-15P	
		220		840	3.8	CEE 7/7 Schuko	
		240		1000	4.2	BS-1363	
		220-230 (CE)		840-919	3.8-4.0	CEE 7/7 Schuko	
		230-240 (CE)		919-1000	4.0-4.2	BS-1363	
UGFFBL	12.77" x 22.46" x 22" (324 x 570 x 559 mm)	100	Single	959	9.6	NEMA 5-15P	34 lbs. (14 kg)
		120		1120	9.3	NEMA 5-15P	
		220		940	4.3	CEE 7/7 Schuko	
		240		1120	4.7	BS-1363	
		220-230 (CE)		940-1029	4.3-4.5	CEE 7/7 Schuko	
		230-240 (CE)		1029-1120	4.5-4.7	BS-1363	

*Shipping weight includes packaging.

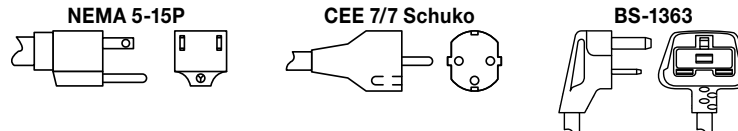
Note: Models with "L" contain two incandescent lights. The housing is 9" (229 mm) wide versus 6" (152 mm) without lights.

Note: Models with "B" include a thermostatically pre-set heated base.

CORD LOCATION

UGFF, UGFFL: Back, upper middle.
UGFFB, UGFFBL: Back, lower middle.

PLUG CONFIGURATIONS



PRODUCT SPECS

Portable Foodwarmers

The Portable Foodwarmer shall be an Ultra-Glo® manufactured by the Hatco Corporation, Milwaukee, WI 53234 U.S.A.

The Foodwarmer shall be rated at ... watts, ... volts, single phase and be ... inches (millimeters) in overall width.

The Ultra-Glo shall consist of an aluminum housing and include a ceramic heating element and a 6' (1829 mm) cord with plug attached.

Accessories shall include food holding pans, trivets, and fry ribbons.

Warranty consists of 24/7 parts and service assistance (U.S. and Canada only).

HATCO CORPORATION | P.O. Box 340500 Milwaukee, WI 53234-0500 U.S.A.
(800) 558-0607 | (414) 671-6350 | www.hatcocorp.com | support@hatcocorp.com