



Project \_\_\_\_\_  
 Item # \_\_\_\_\_  
 Quantity \_\_\_\_\_

# Electric Salamander

Model: SAL-1

Hatco's Electric Salamander is specially designed for versatility, with the capability to cook, grill, hold and reheat. The unique features and flexibility of the Hatco Salamander make it easy to operate, energy efficient and highly functional in any kitchen.

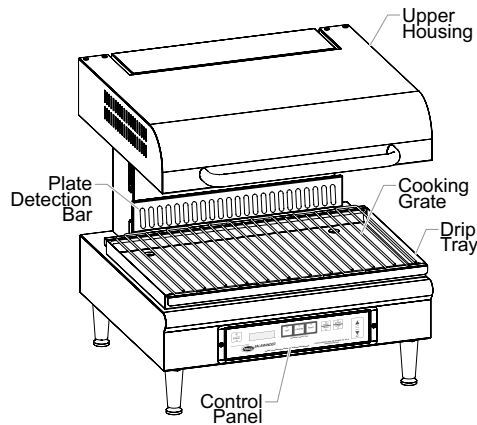
## Standard features

- Instant-On heating elements located in the upper housing
- Plate detection feature activates the Instant-On heating elements when a food plate comes into contact with the bar, and deactivates when removed
- Heating elements are only on when in use, eliminating residual heat in the kitchen
- The HOLD function has eight programmable heat levels
- Adjustable upper housing give 4.5" (114 mm) of vertical movement
- Flat, touch control panel
- Standard model shipped with removeable cooking grate and drip tray, wall mounting hardware, 4" (102 mm) adjustable black plastic legs and cord & plug



## Options

- 4" (102 mm) Adjustable Metal Legs (in lieu of standard Legs)
- Hardwiring (in lieu of standard 4' [1219 mm] Cord and Plug)



**For operation, location and safety information, please refer to the Installation & Operating Manual.**

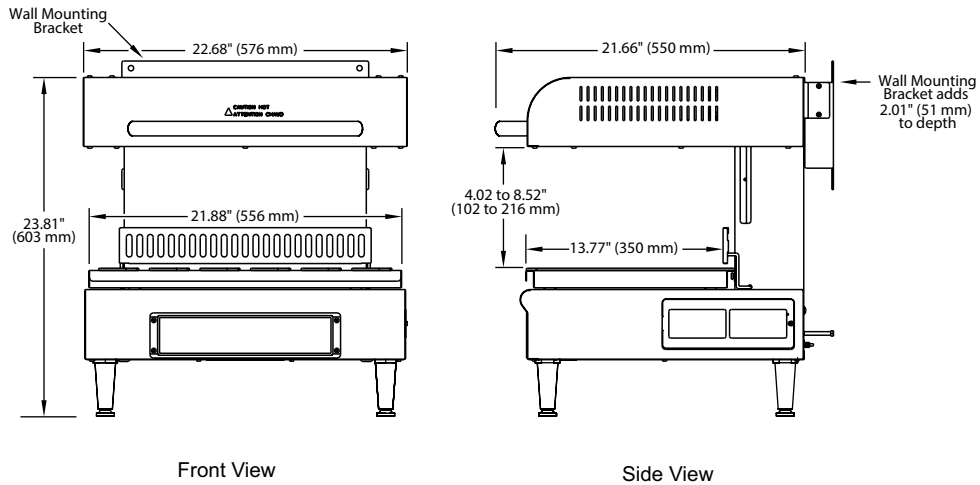


**HATCO CORPORATION** | P.O. Box 340500 Milwaukee, WI 53234-0500 U.S.A.  
 (800) 558-0607 | (414) 671-6350 | www.hatcocorp.com | support@hatcocorp.com



# Electric Salamander

Model: SAL-1



## SPECIFICATIONS

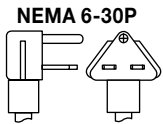
### Electric Salamander

Model	Dimensions (Width x Depth x Height*)	Cooking Area (Width x Depth)	Voltage	Phase	Watts	Amps	Plug	Cord Location	Ship Weight*
SAL-1	22.68" x 21.66" x 23.81" (576 x 550 x 603 mm)	21.88" x 13.77" (556 x 350 mm)	208	Single	4500	21.6	NEMA 6-30P or Hardwired	Back of unit, bottom right side	143 lbs. (65 kg)
			240		4500	18.8	NEMA 6-30P or Hardwired		

\* Height includes 4" (102 mm) legs. Add 2.01" (51 mm) to depth for wall-mounted units.

\* Shipping weight includes packaging.

## PLUG CONFIGURATIONS



**NOTE:** Do not install unit above grills, fryers or other appliances that will expose unit to high temperature (over 110° F [43° C]), excessive moisture, or grease-laden air. Improper installation may cause unit to malfunction and will void warranty. See Installation and Operation Manual for full details.

## PRODUCT SPECS

### Electric Salamander

The electric Salamander shall be model ... as manufactured by the Hatco Corporation, Milwaukee, WI 53234 U.S.A.

The Salamander shall be rated at ... watts, ... volts, and be ... inches (millimeters) in overall width. It shall consist of stainless steel construction, three instant-on heating

elements, a drip tray, cooking grate, plate detection bar, 4" adjustable black plastic legs, and a cord with plug attached.

Warranty consists of 24/7 parts and service assistance (U.S. and Canada only).

**HATCO CORPORATION** | P.O. Box 340500 Milwaukee, WI 53234-0500 U.S.A.  
 (800) 558-0607 | (414) 671-6350 | www.hatcocorp.com | support@hatcocorp.com