



Project \_\_\_\_\_  
 Item # \_\_\_\_\_  
 Quantity \_\_\_\_\_

## Drop-In Round Heated Wells

Models:

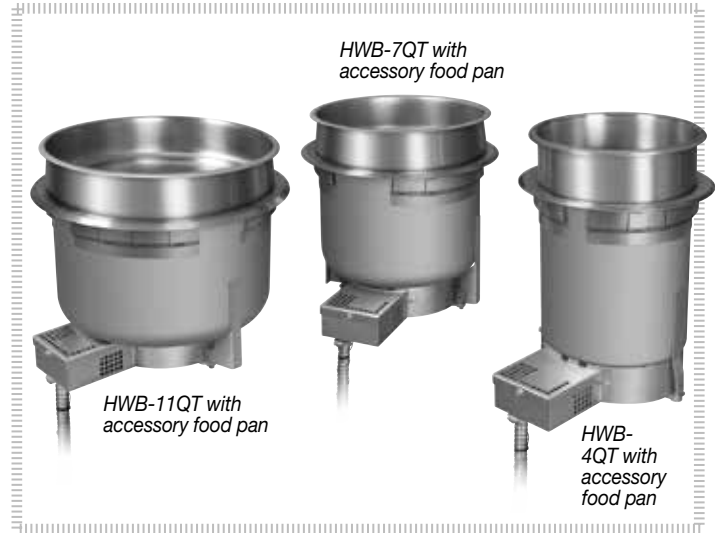
HWB-4QT, -4QTD, -7QT, -7QTD, -11QT, -11QTD

HWBH-7QT, -7QTD, -11QT, -11QTD

Hatco Drop-In Round Heated Wells provide flexibility and quality, with many options to choose from. These units hold steam table food hot and fresh with self-adjusting thermostats that monitor the actual temperatures and control the heat only when needed.

### Standard features

- Available in 4-, 7- and 11-quart (4-, 7- and 10-liter) round wells
- Standard or high watt (4-quart [4-liter] standard watt only)
- Controls feature a separate lighted ON/OFF rocker switch and temperature dial, allowing preset temperatures to be maintained
- Available with a 50% larger drain (¾" NPT) with flat screen simplifies cleaning and holds pans level
- Easy service access to heating elements and thermostats
- Mounting kits for combustible countertops available
- EZ locking hardware for quick installation
- Wells are designed for both WET or DRY operation
- An optional WM Control Assembly is also available that will replace most existing controls on a customer's Drop-In Heated Well unit



### Options (available at time of purchase only)

- Additional High Temp Power Supply Lead Wire available in one foot (305 mm) increments (Lead wire only – conduit not included)  
(Models are shipped with 1' [305 mm] of lead wire – no conduit included)
- Thermostat with 6' (1829 mm) Capillary
- Control Box Assembly
  - Compact with Bezel (Standard Control [Not for export voltages])
  - Larger Recessed Thermostatic (Standard for export voltages)
  - WM Control (Not for export voltages)
  - ITC Electronic Control (Not for 4-Quart [4-liter] Round Wells)
- Control Box Bezel (Designer Colors – Nonstandard colors are non-returnable)
  - Warm Red    Black    Gray Granite    White Granite
  - Navy Blue    Hunter Green    Antique Copper

### Accessories

- Mounting Kit for Combustible Countertops (All Models) – no conduit
- Round Food Pans
  - 4-Quart (4-Liter)    7-Quart (7-Liter)
  - 11-Quart (10-Liter)
- Notched Lids
  - 4-Quart (4-Liter)    7-Quart (7-Liter)
  - 11-Quart (10-Liter)
- Hinged Lids
  - 4-Quart (4-Liter)    7-Quart (7-Liter)
  - 11-Quart (10-Liter)
- Units with Drains
  - ¾" NPT Ball    ¾" Gate Valve
- Kit allows Mounting to Thick Countertops - 4 Brackets

For operation, location and safety information, please refer to the Installation & Operating Manual.



HATCO CORPORATION | P.O. Box 340500 Milwaukee, WI 53234-0500 U.S.A.  
 (800) 558-0607 | (414) 671-6350 | www.hatcocorp.com | support@hatcocorp.com



# Drop-In Round Heated Wells

Models: HWB-4QT, -4QTD, -7QT, 7-QTD, 11QT, -11QTD  
 HWBH-7QT, -7QTD, -11QT, -11QTD

## Ordering Instructions

(Please specify the following with each order)

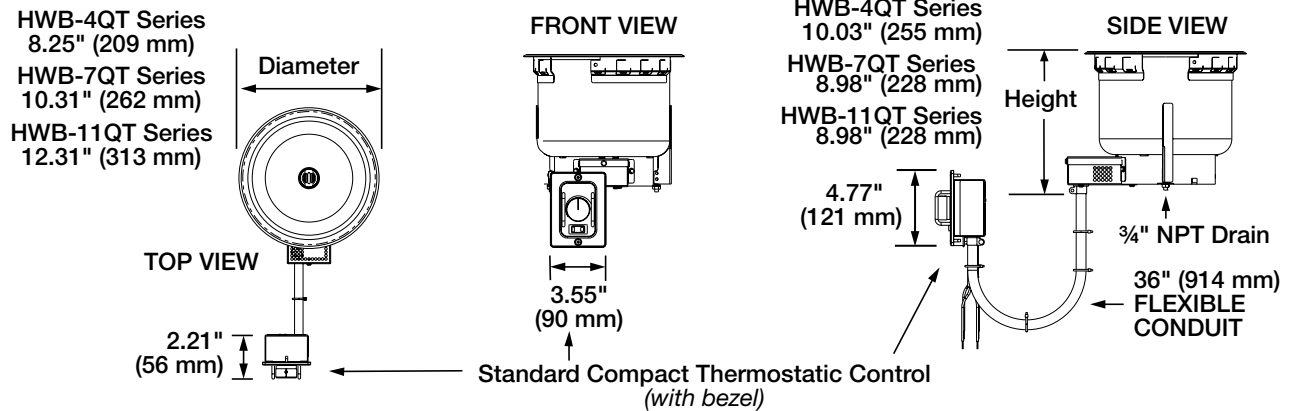
1. **Desired Voltage:** See chart on page 3
2. **Base Size of Heated Well:**
  - A. Round: 4-Quart (4-Liter), 7-Quart (7-Liter) or 11-Quart (10-Liter)
3. **Choose With or Without Drain**
4. **Mounting Style** (Top Mounted)
  - A. Non-Combustible Countertop
  - B. Combustible Countertop requires accessory Mounting Kit
5. **Wattage:**
  - A. High Watt
  - B. Standard Watt (4-Quart [4-Liter] available in standard watt only)

### 6. Agency:

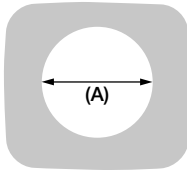
- A. UL and CUL
- B. UL-EPH (sanitary listing)
- C. CE Mark available on standard and high watt units

## Models HWB-4QT, HWB-7QT and HWB-11QT Series

(HWB-7QTD Shown)



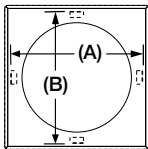
Non-Combustible  
 Countertop  
 Opening  
 ("Circular" cut-out)



### Cutout Dimensions for Non-Combustible Countertop

| Model    | Minimum Diameter (A) | Maximum Diameter (A) |
|----------|----------------------|----------------------|
| HWB-4QT  | Ø 7.125" (181 mm)    | Ø 7.56" (192 mm)     |
| HWB-7QT  | Ø 9.125" (232 mm)    | Ø 9.56" (243 mm)     |
| HWB-11QT | Ø 11.125" (282 mm)   | Ø 11.56" (294 mm)    |

Combustible  
 Countertop  
 Opening  
 ("Square" cut-out)



### Cutout Dimensions for Combustible Countertops ▲

| Model    | Minimum Width (A) | Maximum Width (A) | Minimum Width (B) | Maximum Width (B) |
|----------|-------------------|-------------------|-------------------|-------------------|
| HWB-4QT  | 9" (229 mm)       | 9.25" (235 mm)    | 9" (229 mm)       | 9.25" (235 mm)    |
| HWB-7QT  | 11" (279 mm)      | 11.25" (286 mm)   | 11" (279 mm)      | 11.25" (286 mm)   |
| HWB-11QT | 13" (330 mm)      | 13.25" (337 mm)   | 13" (330 mm)      | 13.25" (337 mm)   |

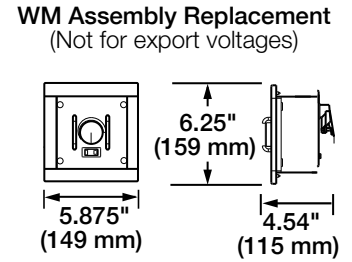
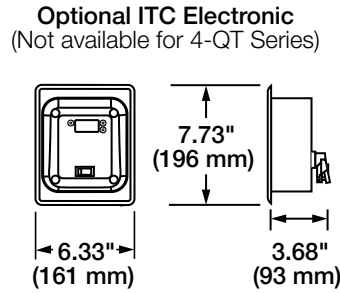
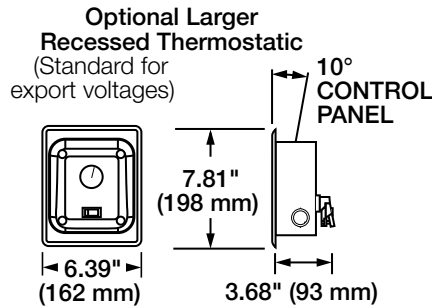
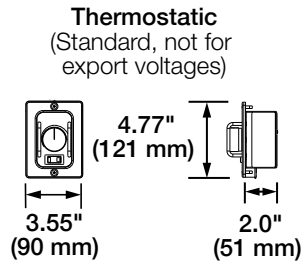
▲ Accessory Mounting Kit required



# Drop-In Round Heated Wells

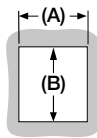
Models: HWB-4QT, -4QTD, -7QT, 7-QTD, 11QT, -11QTD  
HWBH-7QT, -7QTD, -11QT, -11QTD

## Control Boxes



### Cutout Dimensions for Control Boxes

Control Box Opening  
(Larger Recessed  
Thermostatic shown)



| Control Box   | Minimum Width (A) | Maximum Width (B) | Export Voltage |
|---|-------------------|-------------------|----------------|
| Standard Thermostatic without bezel                           | 2.16" (55 mm)     | 3.375" (86 mm)    | Not available  |
| Standard Thermostatic with bezel                              | 3.25" (83 mm)     | 3.75" (95 mm)     | Not available  |
| Optional Larger Recessed Thermostatic                         | 5.875" (149 mm)   | 6.375" (162 mm)   | Standard       |
| Optional ITC Electronic<br>(not available for 4-QT [4-Liter]) | 5.81" (148 mm)    | 6.27" (159 mm)    | Optional       |
| Optional WM Assembly Replacement                              | 4.78" (121 mm)    | 5.00" (127 mm)    | Not available  |

## SPECIFICATIONS Drop-In Uninsulated Round Wells

The shaded areas contain electrical information for International models only

| Model  | Dimensions<br>(Diameter x Height) | Volts        | Phase  | Watts | Amps | Control Configuration  | Ship Weight*                     |
|--|-----------------------------------|--------------|--------|-------|------|--|----------------------------------|
| HWB-4QT (Standard watt)<br>HWB-4QTD* (Standard watt)   | 8.25" x 10.03"<br>(209 x 255 mm)  | 120          | Single | 500   | 4.2  | Standard: Compact Thermostatic (Not available for export voltages)<br>Optional: WM Assembly Replacement (Not available for export voltages) or<br>Larger Recessed Thermostatic             | 11 lbs. (5 kg)<br>10 lbs. (5 kg) |
|  |                                   | 208          |        | 536   | 2.6  |  |                                  |
|  |                                   | 240          |        | 600   | 2.5  |  |                                  |
| HWB-7QT (Standard watt)<br>HWB-7QTD* (Standard watt)   | 10.31" x 8.98"<br>(262 x 228 mm)  | 120          | Single | 500   | 4.2  | Standard: Compact Thermostatic (Not available for export voltages)<br>Optional: WM Assembly Replacement (Not available for export voltages) or<br>Larger Recessed Thermostatic             | 12 lbs. (6 kg)<br>12 lbs. (6 kg) |
|  |                                   | 208          |        | 536   | 2.6  |  |                                  |
|  |                                   | 240          |        | 600   | 2.5  |  |                                  |
| HWBH-7QT (High watt)<br>HWBH-7QTD* (High watt)         | 10.31" x 8.98"<br>(262 x 228 mm)  | 120          | Single | 800   | 6.7  | Standard: Compact Thermostatic (Not available for export voltages)<br>Optional: WM Assembly Replacement (Not available for export voltages) ITC Electronic or Larger Recessed Thermostatic | 12 lbs. (6 kg)<br>12 lbs. (6 kg) |
|  |                                   | 208          |        | 715   | 3.4  |  |                                  |
|  |                                   | 240          |        | 800   | 3.3  |  |                                  |
| HWB-11QT (Standard watt)<br>HWB-11QTD* (Standard watt) | 12.31" x 8.98"<br>(313 x 228 mm)  | 120          | Single | 500   | 4.2  | Standard: Compact Thermostatic (Not available for export voltages)<br>Optional: WM Assembly Replacement (Not available for export voltages) or<br>Larger Recessed Thermostatic             | 13 lbs. (6 kg)<br>13 lbs. (6 kg) |
|  |                                   | 208          |        | 536   | 2.6  |  |                                  |
|  |                                   | 240          |        | 600   | 2.5  |  |                                  |
| HWBH-11QT (High watt)<br>HWBH-11QTD* (High watt)       | 12.31" x 8.98"<br>(313 x 228 mm)  | 120          | Single | 800   | 6.7  | Standard: Compact Thermostatic (Not available for export voltages)<br>Optional: WM Assembly Replacement (Not available for export voltages) or<br>Larger Recessed Thermostatic             | 13 lbs. (6 kg)<br>13 lbs. (6 kg) |
|  |                                   | 208          |        | 715   | 3.4  |  |                                  |
|  |                                   | 240          |        | 800   | 3.3  |  |                                  |
|  |                                   | 220-230 (CE) |        | 600   | 2.7  |  |                                  |
|  |                                   | 230-240 (CE) |        | 600   | 2.5  |  |                                  |
|  |                                   | 230-240 (CE) |        | 800   | 3.6  |  |                                  |
|  |                                   | 220-230 (CE) |        | 800   | 3.6  |  |                                  |
|  |                                   | 230-240 (CE) |        | 800   | 3.3  |  |                                  |
|  |                                   | 230-240 (CE) |        | 800   | 3.3  |  |                                  |

\*"D" added to model number indicates drain equipped. \* Shipping weight includes packaging.

## PRODUCT SPECS Drop-In Round Heated Wells

The Drop-in Round Heated Well shall be a Model ...as manufactured by the Hatco Corporation, Milwaukee, WI 53234 U.S.A.

The Drop-in Heated Well shall be rated at ...watts, ...volts, and be ...inches

(millimeters) in overall width and be ...inches (millimeters) in overall depth. It shall consist of stainless and aluminized steel housing with a metal sheathed heating element, EZ locking hardware for installation, and a remote thermostat with lighted power switch. Models with a drain consist of a 3/4" NPT drain.

Accessories may include stainless steel mounting kit and valves.

Warranty consists of 24/7 parts and service assistance (U.S. and Canada only).

**HATCO CORPORATION** | P.O. Box 340500 Milwaukee, WI 53234-0500 U.S.A.  
(800) 558-0607 | (414) 671-6350 | www.hatcocorp.com | support@hatcocorp.com