



Project \_\_\_\_\_  
 Item # \_\_\_\_\_  
 Quantity \_\_\_\_\_

## Rice Drawer Warmers

Models: HRDW-2  
 HRDW-2U  
 HRDW-2U-1

Hatco's Rice Drawer Warmer is designed to keep rice hot and at desired consistency until served.

The Rice Drawer Warmer holds rice in the same pot it's prepared in, reducing pan-to-pan transfer time and labor.

With a digital electronic temperature control, this unit provides even heat throughout the holding cavity. With all around insulation, these drawer warmers provide excellent energy efficiency.

### Standard features

- Drawers accept Panasonic 23 cup (5.4 liter) rice pots (pots and lids not available)
- Drawers accept Town 30 cup (7 liter) rice pots with Hatco's accessory 30 cup (7 liter) pot drawer adapters (pots and lids not available)
- Allows one pot per drawer of cooked rice for long term holding, with the option of serving from third pot in top heated well (HRDW-2U-1 only)
- Stainless steel construction, including back panel, handles the rigors of daily kitchen use
- Heavy duty drawers and robust telescopic drawer slides makes pan removal easy and efficient
- Stainless steel utensil well and utensil pan included with HRDW-2U and HRDW-2U-1 models only
- Adjustable t-stat with knob for optimal rice holding in top well (HRDW-2U-1 only)
- Raised beveled edge on top of HRDW-2, HRDW-2U models only



*HRDW-2U-1  
 with accessory lid  
 (rice pot not included)*

### Accessories

- Hinged aluminum lid for top rice well (HRDW-2U-1 only)
- One drawer adapter for Town 30 cup (7 liters) rice pots (one per drawer required)

**For operation, location and safety information, please refer to the Installation & Operating Manual.**



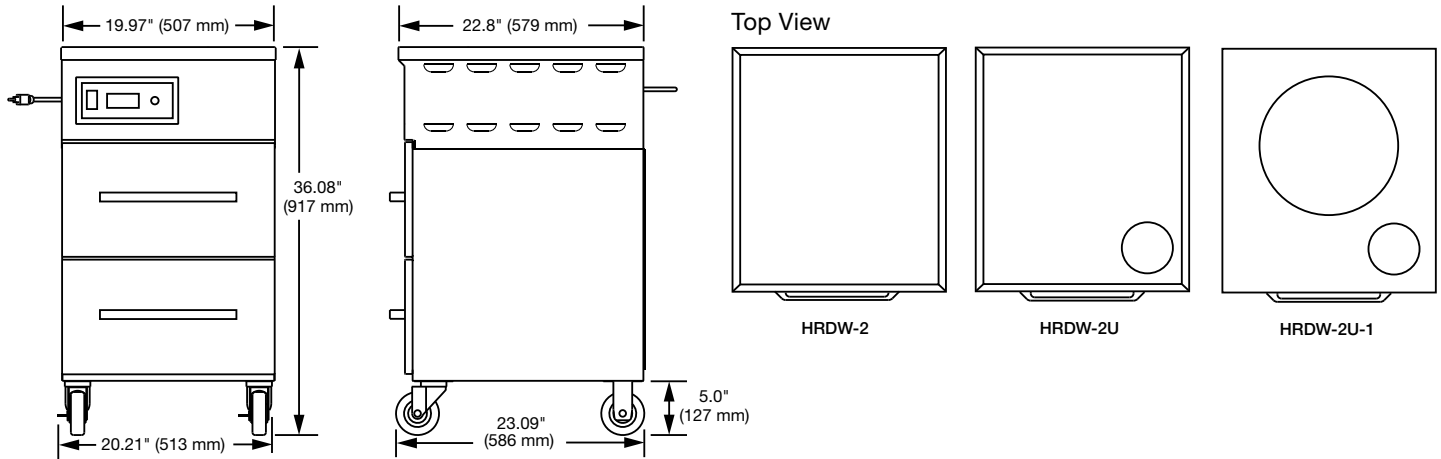
**HATCO CORPORATION** | P.O. Box 340500 Milwaukee, WI 53234-0500 U.S.A.  
 (800) 558-0607 | (414) 671-6350 | [www.hatcocorp.com](http://www.hatcocorp.com) | [support@hatcocorp.com](mailto:support@hatcocorp.com)



# Rice Drawer Warmers

Models: HRDW-2, HRDW-2U, HRDW-2U-1

## HRDW-2U-1



## SPECIFICATIONS Rice Drawer Warmers

Model	Description	Dimensions (Width x Depth* x Height)	Volts	Phase	Watts	Amps	Plug	Shipping Weight*
HRDW-2	Raised bevel edge only	20.21" x 23.09" x 36.08" (513 x 586 x 917 mm)	120	Single	700	5.8	NEMA 5-15P	121 lbs. (55 kg)
HRDW-2U	Utensil Well with Utensil Pan and raised bevel edge							123 lbs. (56 kg)
HRDW-2U-1	Rice and Utensil Well with Utensil Pan							128 lbs. (59 kg)

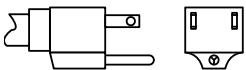
\* Includes 1.25" (31.75 mm) for drawer handle.  
\* Shipping weight includes packaging.

## CORD LOCATION

Back of unit, upper left corner

## PLUG CONFIGURATIONS

NEMA 5-15P



## PRODUCT SPECS Rice Drawer Warmers

The Rice Drawer Warmers shall be a Hatco Model ..., as manufactured by the Hatco Corporation, Milwaukee, WI 53234, U.S.A.

The unit shall have ... drawer(s) and be rated at ... watts, ... amps. The Rice Drawer Warmer will hold Panasonic 23 cup (5.4 liters) rice pots with accessory Town 30 cup (7 liters) pot drawer adaptors.

The Rice Drawer Warmer shall have a stainless steel exterior, interior, drawer slides, and assembly. Drawer rollers shall be durable nylon. The drawer assembly shall fully extend to allow removal of pots and pans without tilting in standard width models.

The unit shall have insulated top, bottom and sides of cabinet with cord and plug attached. Each unit shall have a power switch and electronic temperature control.

Warranty consists of 24/7 parts and service assistance (U.S. and Canada only).

**HATCO CORPORATION** | P.O. Box 340500 Milwaukee, WI 53234-0500 U.S.A.  
(800) 558-0607 | (414) 671-6350 | www.hatcocorp.com | support@hatcocorp.com